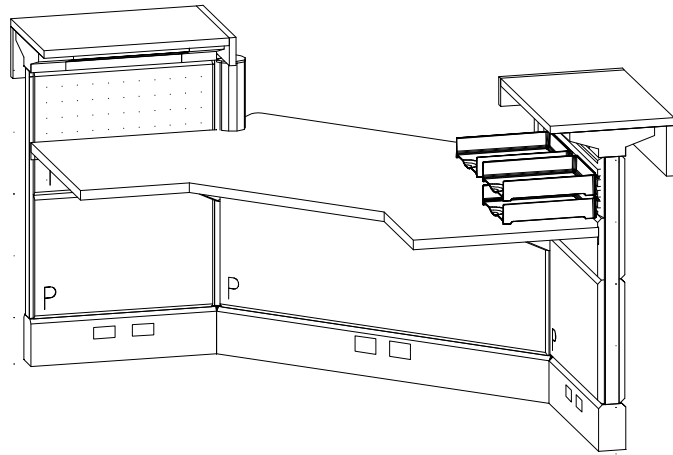
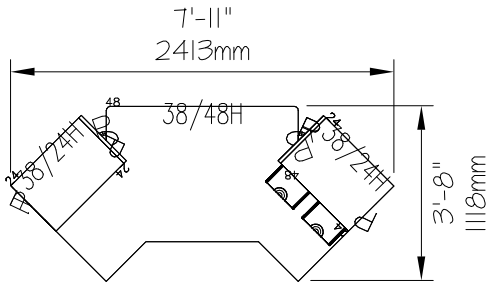


E0403

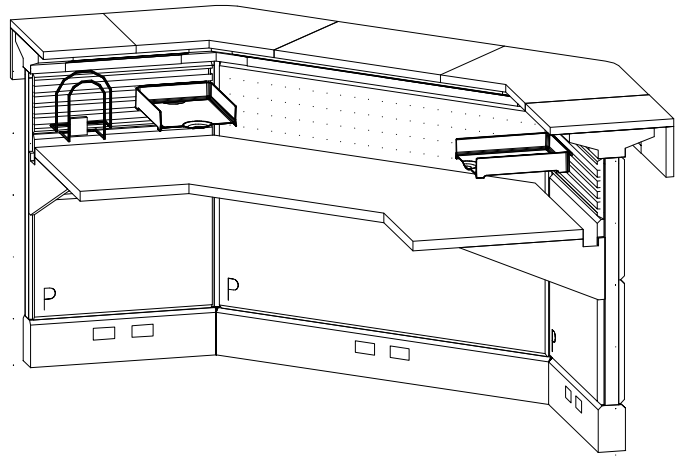
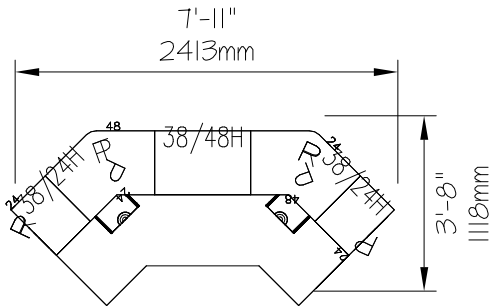
NURSE STN, ACCESSIBLE W/ANGLE, FREE STD, 96



QTY	DESCRIPTION
1	Steel Frame W/Low Access
2	Steel Frame
1	Cantilevered Low Access Work Surface, 135 Degree
2	Laminate Panel Insert, 20"H (508mm)
1	Panel Insert, Tackable, 16"H (406mm)
1	Panel Insert, Paper Mgmt, 16"H (406mm)
6	Panel Insert, Painted Metal, 16"H (406mm)
2	Countertop W/Light Support Assembly, 16"D (406mm)
3	Paper Tray, 10"W (254mm)

E0406

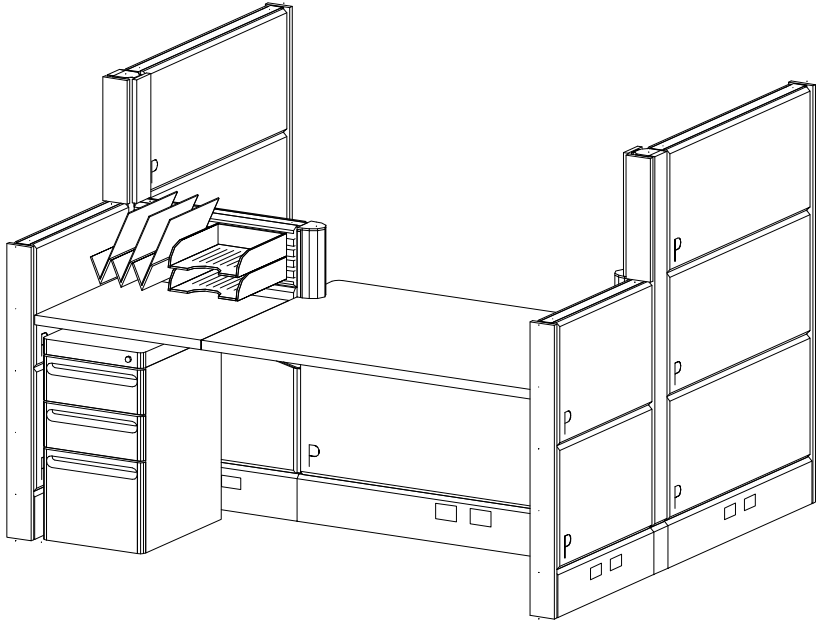
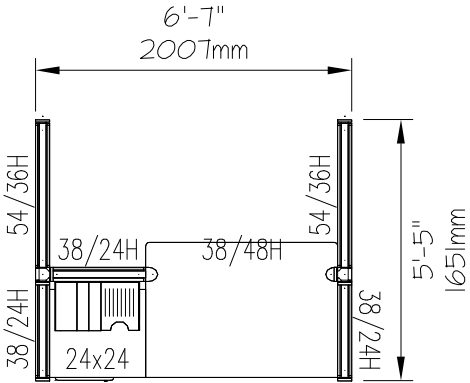
NURSE STN,ANGLE,FREE STD,96



QTY	DESCRIPTION
3	Steel Frame
1	Cantilevered Work Surface, 135 Degree
1	Panel Insert, Tackable, 16"H (406mm)
2	Panel Insert, Paper Mgmt, 16"H (406mm)
9	Panel Insert, Painted Metal, 16"H (406mm)
1	Countertop W/Light Support Assembly, 16"D (406mm)
2	Paper Tray, 10"W (254mm)
1	Binder/File Holder

E0409

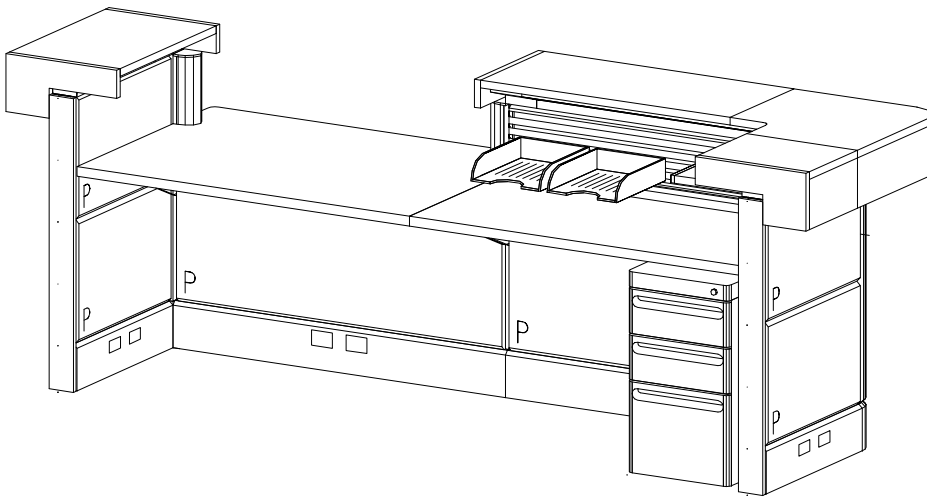
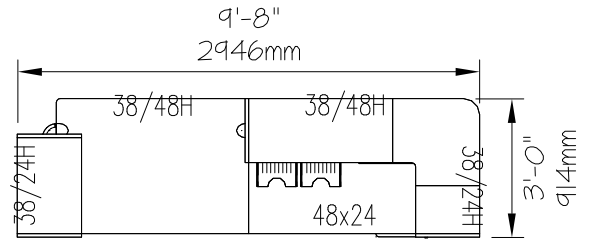
NURSE STN, ADMITTING, FREE STD, 72



QTY	DESCRIPTION
2	Steel Frame, 54"H (1372mm) x 36"W (914mm)
3	Steel Frame, 38"H (965mm) x 24"W (610mm)
1	Steel Frame W/Low Access, 38"H (965mm) x 48"W (1219mm)
2	Frame Connector, 3-Way Corner, 54"H (1372mm)
4	Finished End Hardware
1	Cantilevered, Work Surface, 24"W (610mm)
1	Cantilevered, Low Access Work Surface, 48"W (1219mm)
1	Pedestal, Box/Box/File
2	Laminate Panel Insert, 20"H (508mm) x 48"W (1219mm)
1	Panel Insert, Paper Mgmt, 16"H (406mm) x 24"W (610mm)
11	Panel Insert, Painted Metal, 16"H (406mm) x 24"W (610mm)
12	Panel Insert, Painted Metal, 16"H (406mm) x 36"W (914mm)
1	Diagonal Tray
2	Paper Tray

E0412

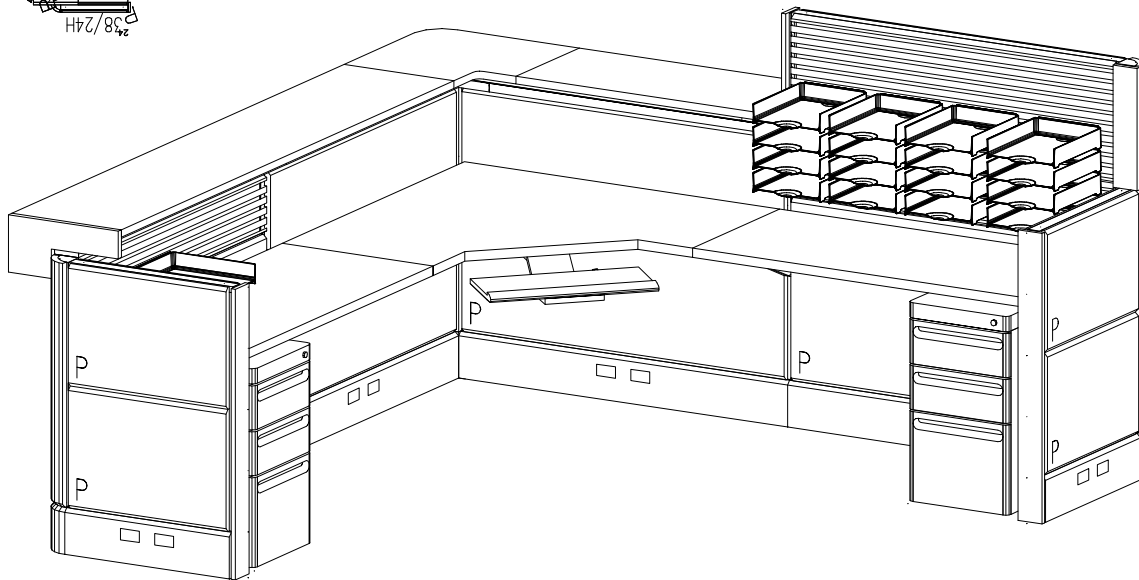
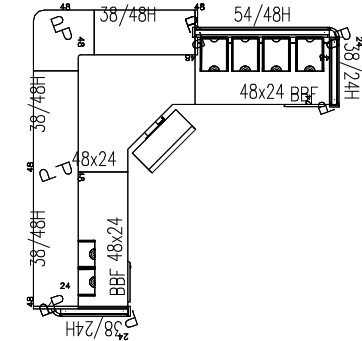
NURSE STN,RECEPT STRAIGHT,FREE STD,96



QTY	DESCRIPTION
1	Steel Frame W/Low Access, 38"H (965mm) x 48"W (1219mm)
1	Steel Frame, 38"H (965mm) x 48"W (1219mm)
2	Steel Frame, 38"H (965mm) x 24"W (610mm)
2	Frame Connector, 3-Way Corner, 38"H (965mm)
2	Finished End Hardware
1	Cantilevered, Work Surface, 48"W (1219mm)
1	Cantilevered, Low Access Work Surface, 48"W (1219mm)
1	Pedestal, Box/Box/File
2	Laminate Panel Insert, 20"H (508mm) x 48"W (1219mm)
1	Panel Insert, Paper Mgmt, 16"H (406mm) x 48"W (1219mm)
3	Panel Insert, Painted Metal, 16"H (406mm) x 48"W (1219mm)
8	Panel Insert, Painted Metal, 16"H (406mm) x 24"W (610mm)
1	Countertop W/Light Support Assembly, 16"D (406mm)
2	Paper Tray
1	Mini-Shelf

E0415

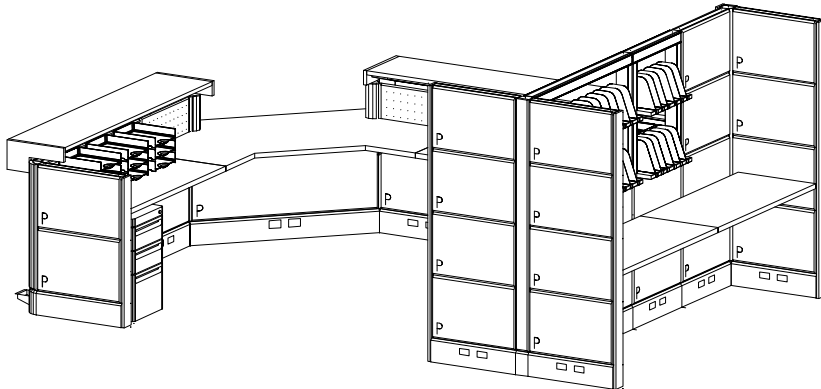
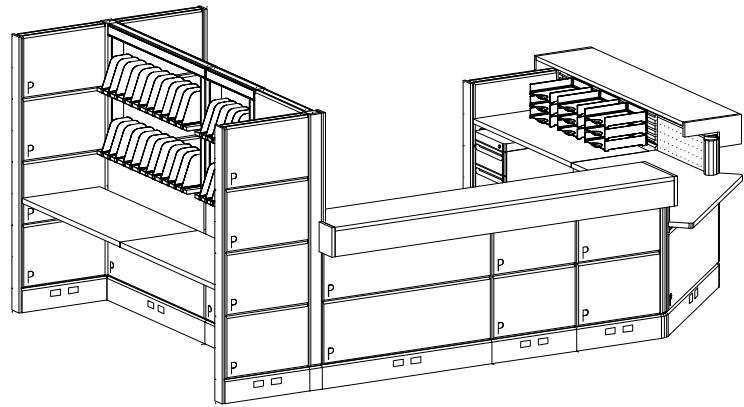
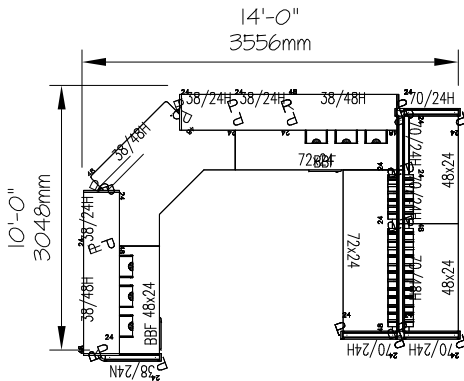
NURSE STN, RECEPT L-SHAPED, FREE STD, 96x96



QTY	DESCRIPTION
1	Steel Frame, 54"H (1372mm) x 48"W (1219mm)
3	Steel Frame, 38"H (965mm) x 48"W (1219mm)
2	Steel Frame, 38"H (965mm) x 24"W (610mm)
1	Frame Connector, 2-Way Corner, 54"H (1372mm)
2	Frame Connector, 2-Way Corner, 38"H (965mm)
2	Finished End Hardware
1	Cantilevered, Corner Work Surface 48"W (1219mm)
2	Cantilevered, Work Surface, 48"W (1219mm)
2	Pedestal, Box/Box/File
1	Fully Adjustable Keyboard Tray
15	Panel Insert, Painted Metal, 16"H (406mm) x 48"W (1219mm)
8	Panel Insert, Painted Metal, 16"H (406mm) x 24"W (610mm)
2	Panel Insert, Painted Metal, 8"H (203mm) x 48"W (1219mm)
2	Panel Insert, Paper Mgmt, 16"H (406mm) x 48"W (1219mm)
1	Panel Insert, Paper Mgmt, 8"H (203mm) x 48"W (1219mm)
1	Countertop W/Light Support Assembly, 16"D (406mm)
18	Paper Tray, 10"W (254mm)

E0418

NURSE STN, MEDIUM, FREE STD



QTY DESCRIPTION

- | QTY | DESCRIPTION |
|-----|---|
| 1 | Steel Frame W/Low Access, 38"H (965mm) x 48"W (1219mm) |
| 4 | Steel Frame, 38"H (965mm) x 24"W (610mm) |
| 2 | Steel Frame, 38"H (965mm) x 48"W (1219mm) |
| 5 | Steel Frame, 70"H (1778mm) x 24"W (610mm) |
| 1 | Steel Frame, 70"H (1778mm) x 48"W (1219mm) |
| 9 | Finished End Hardware |
| 6 | Frame-to-Frame Connectors |
| 1 | Frame Connector, 2-Way Corner, 38"H (965mm) |
| 2 | Frame Connector, 3-Way Corner, 70"H (1778mm) |
| 2 | Frame Connector, 2-Way 135 Deg Corner, 38"H (965mm) |
| 2 | Panel Insert, Painted Metal, 8"H (203mm) x 24"W (610mm) |
| 50 | Panel Insert, Painted Metal, 16"H (406mm) x 24"W (610mm) |
| 10 | Panel Insert, Painted Metal, 16"H (406mm) x 48"W (1219mm) |
| 2 | Panel Insert, Painted Metal, 20"H (508mm) x 48"W (1219mm) |
| 2 | Panel Insert, Tackable, 16"H (406mm) x 24"W (610mm) |
| 2 | Panel Insert, Paper Mgmt, 8"H (203mm) x 48"W (1219mm) |
| 3 | Cantilevered, Work Surface, 48"W (1219mm) |
| 2 | Cantilevered, Work Surface, 72"W (1829mm) |
| 1 | Cantilevered, Low Access Work Surface, 135 Deg, 48"W (1219mm) |
| 1 | Countertop w/Light Support Assembly, 16"D (406mm) x 14'L (4267mm) |
| 2 | Pedestal, Box, Box,File |
| 18 | Paper Tray, 10"W (254mm) |
| 2 | Chart Shelf, Pass-Thru, 24"W (610mm) |
| 2 | Chart Shelf, Pass-Thru, 48"W (1219mm) |

