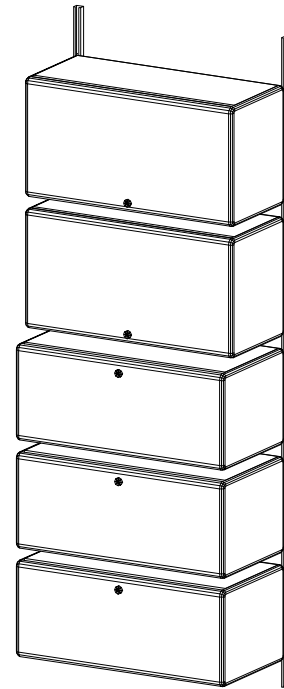
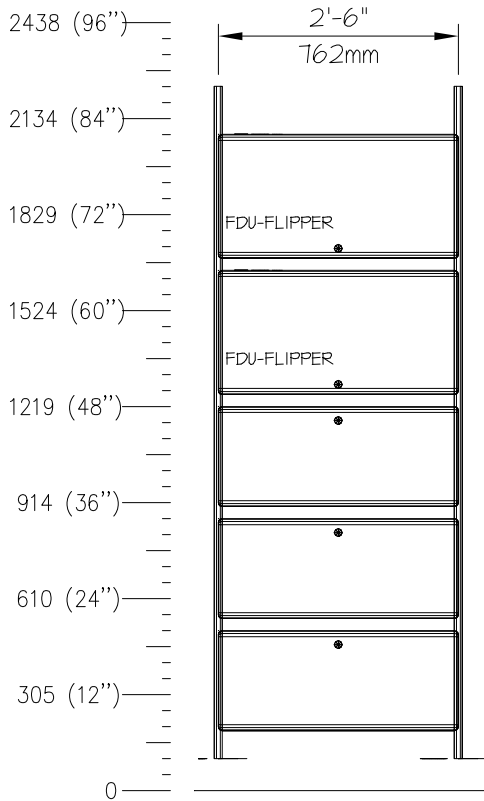




# E0803

STORAGE,FILES & CABINETS,WALL MTD,16x30

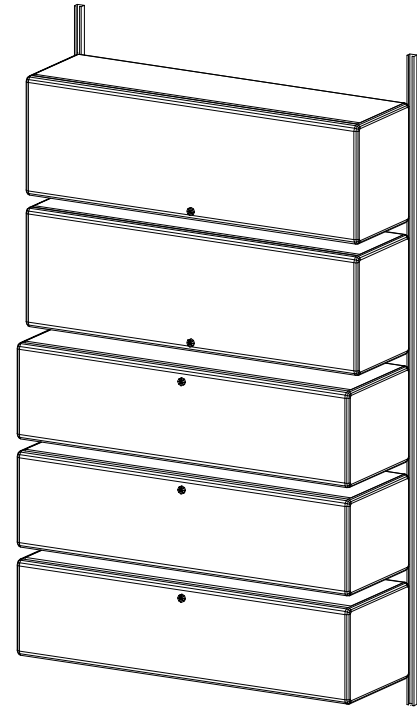
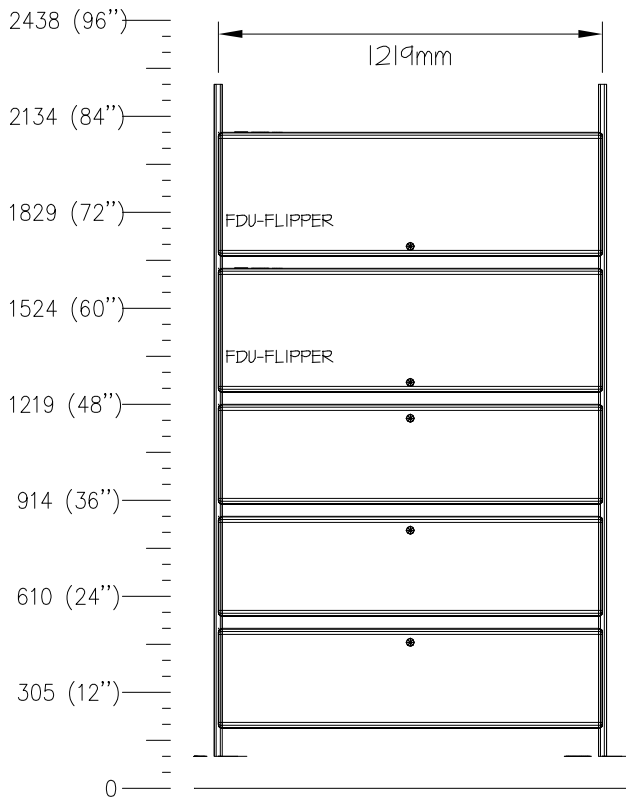


SCALE: 1/2"=1'-0"

QTY	DESCRIPTION
2	Vertical Hanging Strip
2	Lockable Flipper Unit
3	Hanging File Drawer
	Shelf Dividers

# E0806

STORAGE,FILES & CABINETS,WALL MTD,16x48

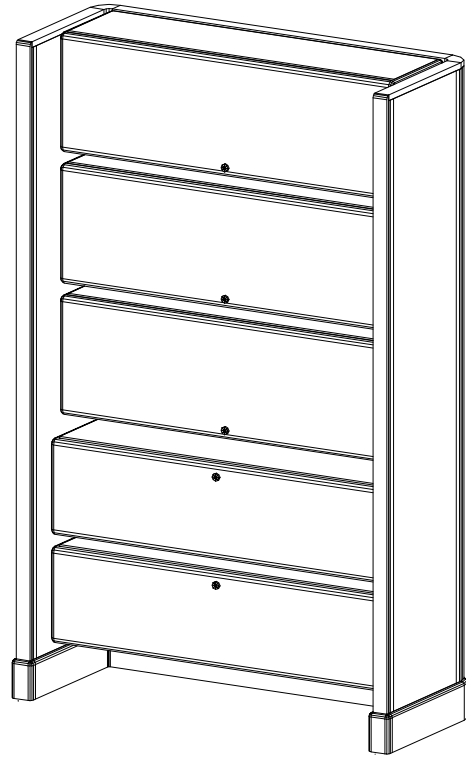
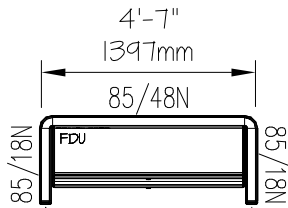


SCALE: 1/2"=1'-0"

QTY	DESCRIPTION
2	Vertical Hanging Strip
2	Lockable Flipper Unit
3	Hanging File Drawer Shelf Dividers

# E0809

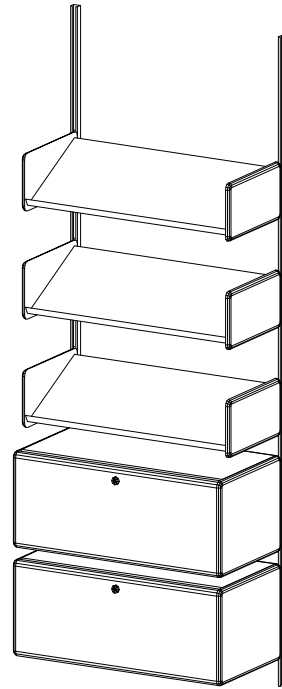
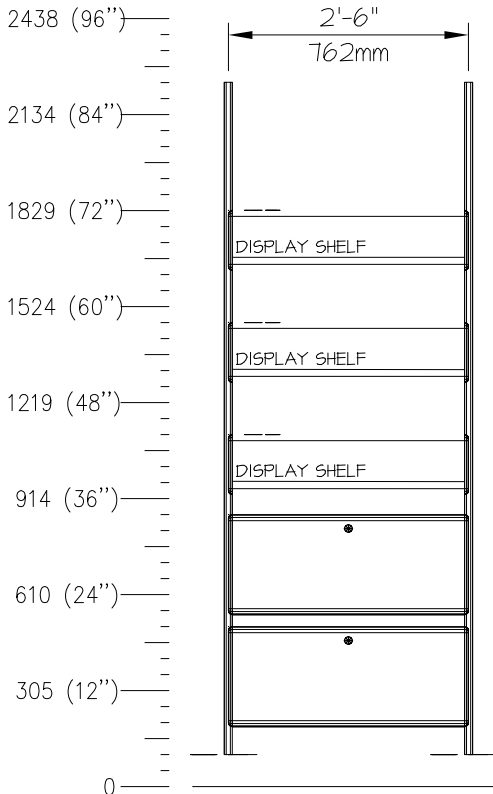
STORAGE,FILES & CABINETS,FREE STD,16x48



<u>QTY</u>	<u>DESCRIPTION</u>
2	Solid Panel, 85"H (2159mm) x 18"W (457mm)
1	Solid Panel, 85"H (2159mm) x 48"W (1219mm)
2	Panel Connector, 2-Way Corner, 85"H (2159mm)
2	Finished End Hardware
3	Lockable Flipper Unit, 48"W (1219mm)
2	Hanging File Drawer, 48"W (1219mm)

# E0821

STORAGE,FILES & SHELVES,WALL MTD,16x30

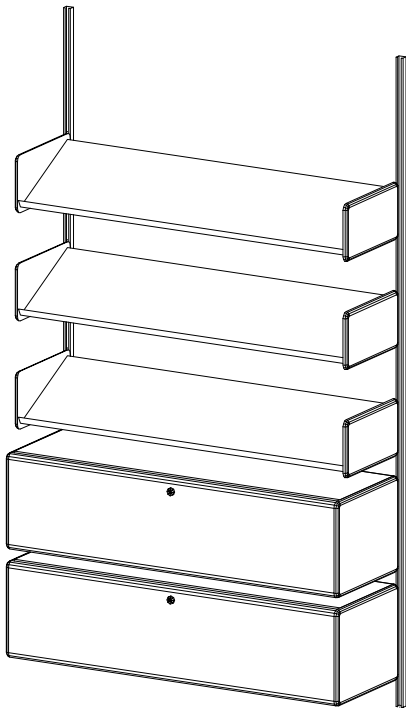
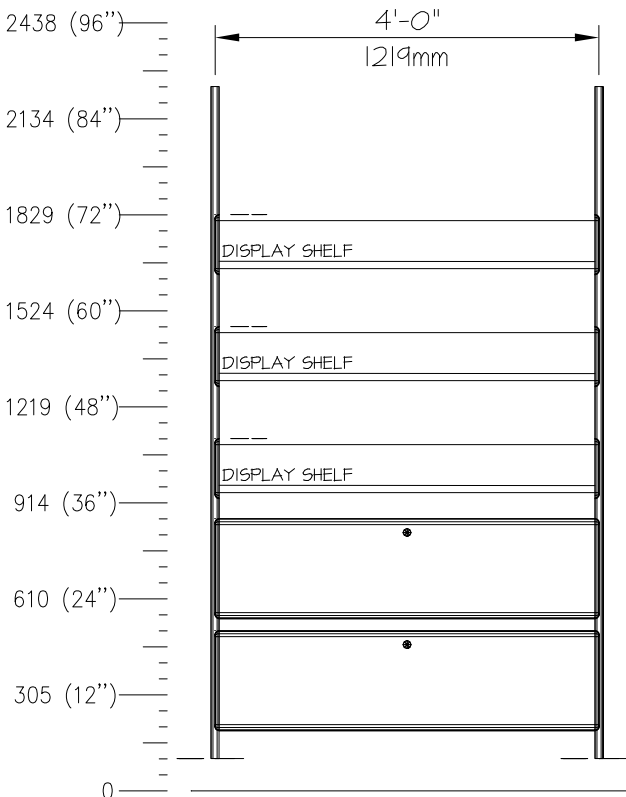


SCALE: 1/2"=1'-0"

QTY	DESCRIPTION
2	Vertical Hanging Strip
3	Shelf
2	Hanging File Drawer
	Shelf Dividers

# E0824

STORAGE,FILES & SHELVES,WALL MTD,16x48

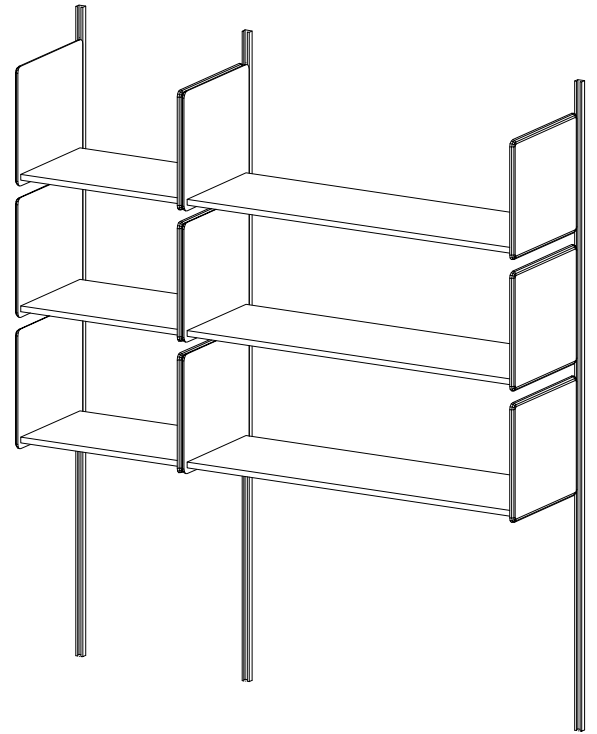
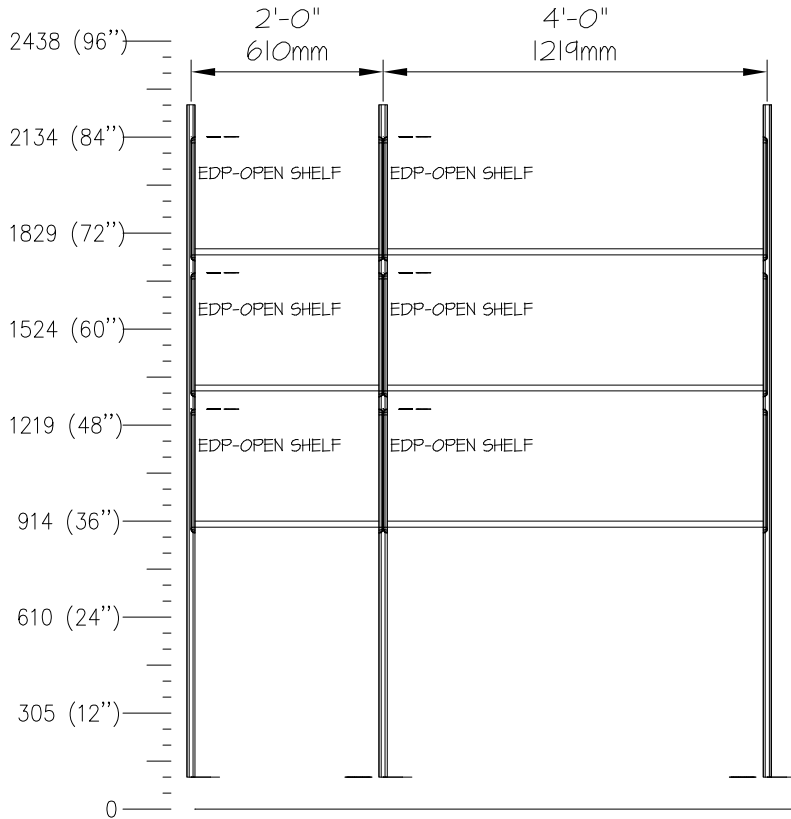


SCALE: 1/2"=1'-0"

QTY	DESCRIPTION
2	Vertical Hanging Strip
3	Shelf
2	Hanging File Drawer
	Shelf Dividers

# E0836

STORAGE,SHELVES,WALL MTD,16x72

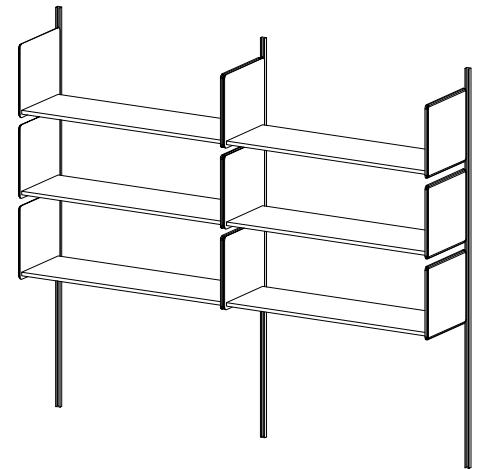
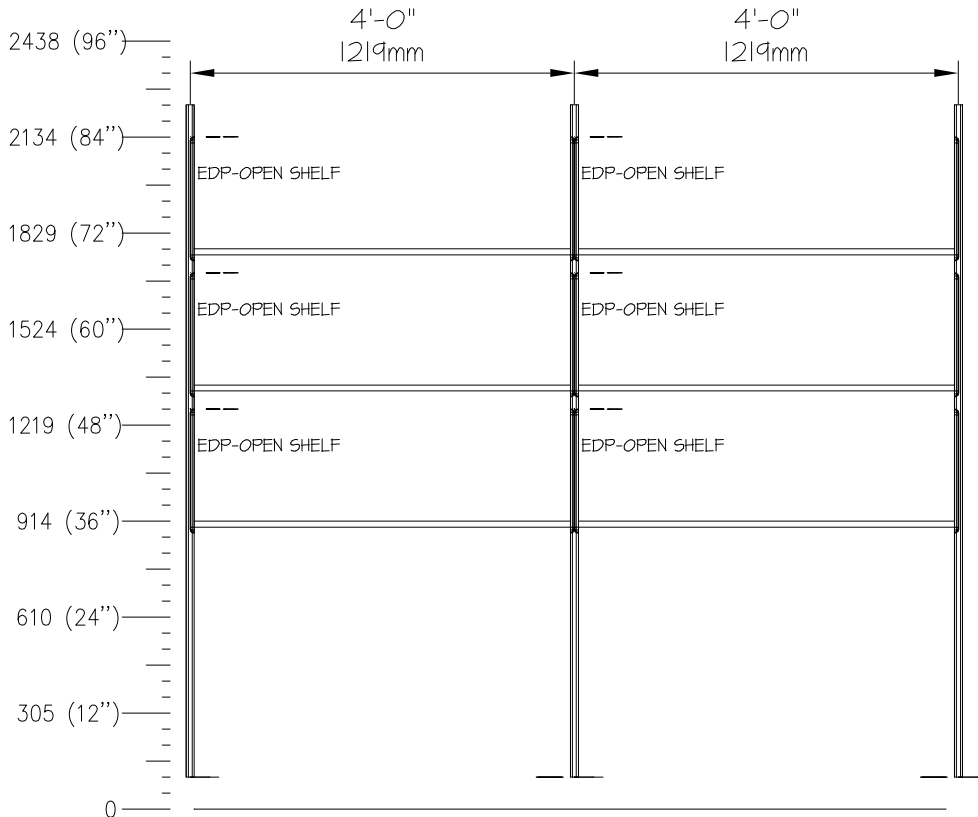


SCALE: 1/2"=1'-0"

QTY	DESCRIPTION
3	Vertical Hanger Strip
6	Extra Deep Shelves for Storage w/Open Space Below for Freestanding Equipment

# E0839

STORAGE,SHELVES,WALL MTD,16x96

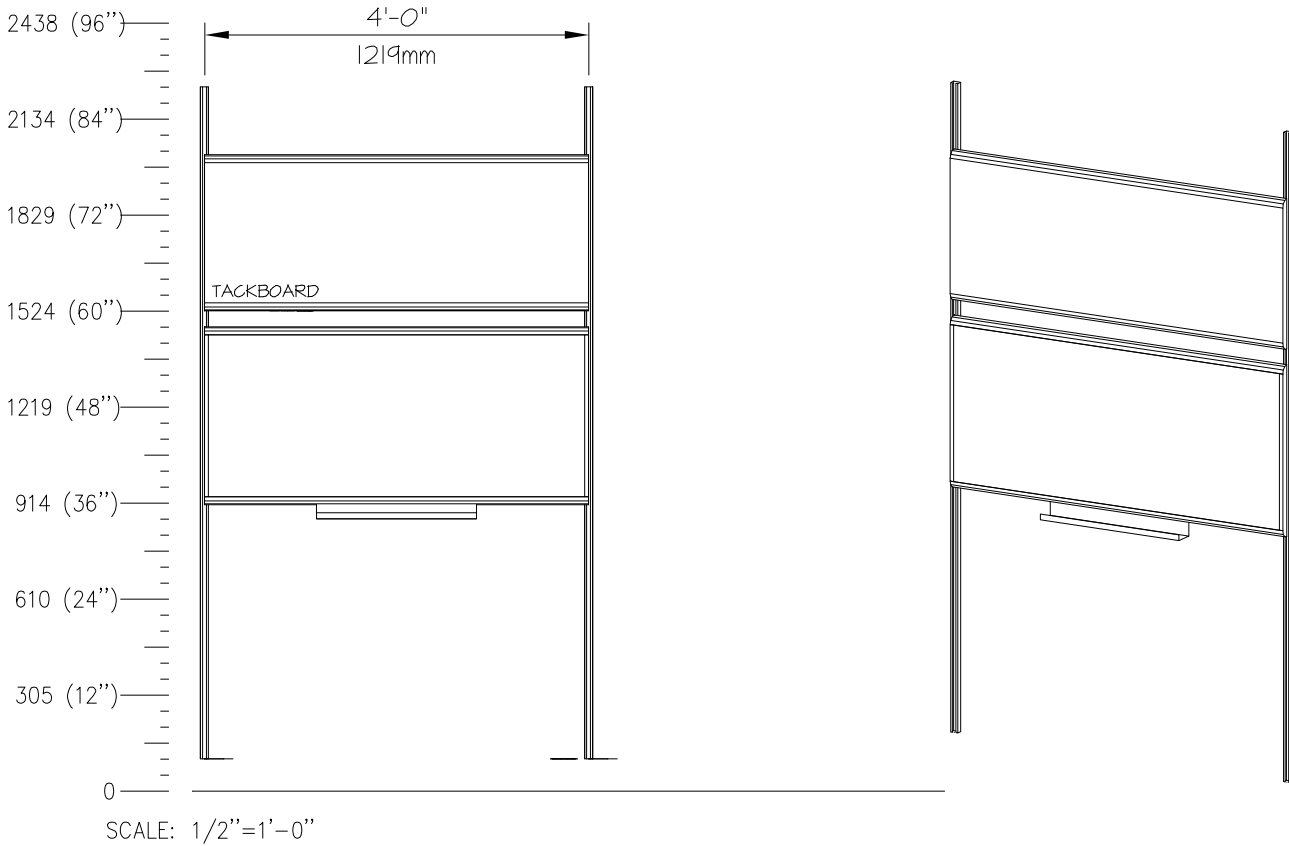


SCALE: 1/2"=1'-0"

QTY	DESCRIPTION
3	Vertical Hanger Strip
1	Extra Deep Shelves for Storage w/Open Space Below for Freestanding Equipment

# E0851

DISPLAY,TKBD & MKBD,WALL MTD,48



<u>QTY</u>	<u>DESCRIPTION</u>
2	Vertical Hanger Strip
1	Tackboard
1	Markerboard