

Burdick Group™ Tables

Prices effective December 7, 2009

Introduction	2
Burdick Group™ Tables	3
Structure	5
Electrical Distribution	7
Work Surfaces	8
Appendices	
To view and/or print price book appendices, select the appropriate price book from www.HermanMiller.com .	

Introduction

A Note on the Organization of This Book

There are a few signals that will help you understand the organization of this book. Once you know them, you should be able to find your way around easily.

Like a newspaper, this book is formatted with columns of text and illustrations that run vertically.

Information wraps from one column to the next and continues for as many pages as it needs to.

Black bars are clues.

A black bar at the top of a page signals the start of information about a product.

This information is divided into two sections, each signaled by a black bar. Product Information includes a description, additional notes, and dimensional drawings. Specification Information, which always begins at the top of a column, includes a series of steps. Each step represents a decision you need to make in order to complete your product number. Steps must be followed sequentially. The number of pages needed to complete information on a product varies; some will be complete in one page; others may fill three or four pages. Just continue going through the steps until you run into the next product, signaled by the black bar at the top of the page.

Black tabs running along the outside edge of the page help you locate what section you are in or what section you want to go to. You can thumb forwards or backwards to find a section; tabs and text appear on both sides of the page.

The additional pages in the back of the book include the appendices and indices. They are signaled by a long black bar running along the outside edge of the page.

The index is presented two ways.

The first index is in alphabetical order by product name. It can be helpful if you are new to the products and numbering scheme or if you are looking for a type of product, such as work chair or round table.

The second index is by product number. It lists, in alphanumeric order, the base product number, typically a five-digit number.

General Information

This book is effective December 7, 2009, subject to change without notice. Products may be purchased from authorized Herman Miller dealers who will quote prices upon request. For more information about our products and services or to see a list of dealers, visit www.HermanMiller.com.

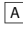
All prices are list prices. Additional services, such as planning services, design, storage, and installation, are not included and must be added to these prices when the additional services are requested.


Illustrations, specifications, and prices are based on the latest information at the time of publication. The right is reserved to make changes at any time without notice in prices, fabrics, finishes, materials, specifications, and models, and also to discontinue models and finishes.

Dimensions shown in the drawings are engineering drawing dimensions rounded up to the nearest $\frac{1}{8}$ ". Product is shipped set up or knocked down. Products that include "Shipped knocked down" in the description require some assembly. If this statement does not appear in the description, the product is shipped assembled.

Service problems are normally handled by a Herman Miller authorized dealer. Where this cannot be accomplished on a local level, service problems should be referred to the Customer Care Representative for your region, Herman Miller, Inc., Zeeland, Michigan 49464.

20-Day or Less/Assigned Lead-Time Shipments

All products and options in this price book not designated by an Assigned Program icon  will ship in **20 business days or less** after being acknowledged by Herman Miller.

Products and options designated by an  are on the assigned lead-time program and may ship in 20 days, less than 20 days, or more than 20 days from order acknowledgement.

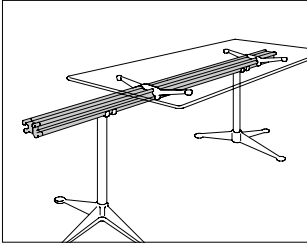
Structure

Electrical Distribution

Work Surfaces

Beam

BG101
BG102
BG105
BG106



Product Information

Description

This structural beam supports Burdick Group products. The beam is polished aluminum and has a cable management channel on the underside. The connecting beam forms a right angle with another beam and includes attachment hardware.

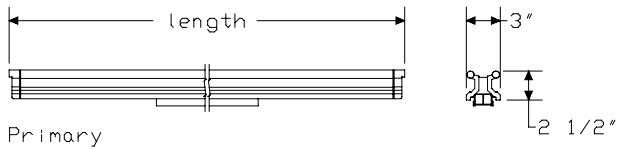
Notes

To support primary beam, order double-base assembly (BG103) separately.

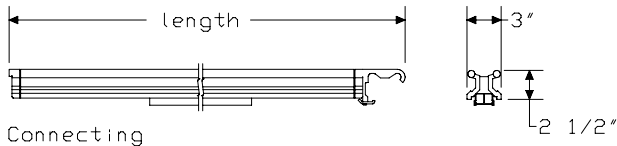
For connecting beam, order following products separately:

- Beam (BG101 or BG102)
- Single-base assembly (BG107)

Dimensions



Primary



Connecting

Specification Information

Step 1.

BG10

Step 2. Type/Length

- 6** connecting and 5' 6" long
- 5** connecting and 7' long
- 1** primary and 7' long
- 2** primary and 10' long

Prices for Steps 1-2.

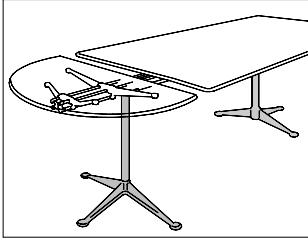
BG106	\$1164
BG105	\$1441
BG101	\$1248
BG102	\$1480

Step 3. Top Finish

BU black umber +\$0

Base Assembly

BG103
BG107



Burdick Group™ Structure

Product Information

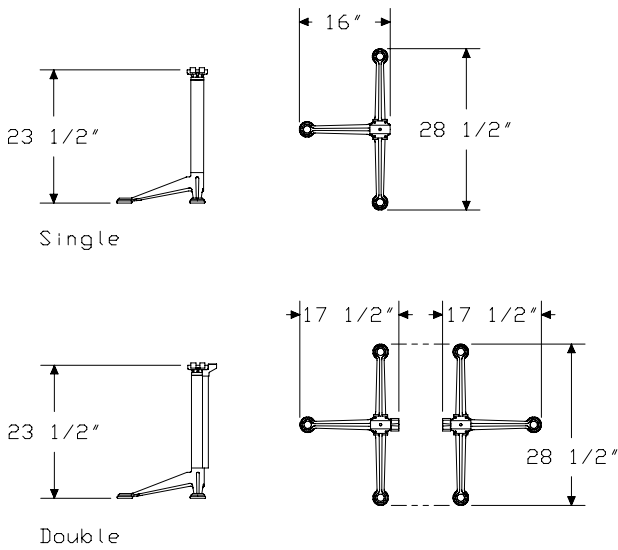
Description

This base structure supports a primary or connecting beam and has a vertical cable management package. The base is polished aluminum. Attachment hardware is included. Shipped knocked down. The single-base assembly cannot be used with a primary beam. The double-base assembly cannot be used with a connecting beam.

Notes

For single-base assembly, order connecting beam (BG105 or BG106) separately.
For double-base assembly, order primary beam (BG101 or BG102) separately.
When 2 cable management packages are required for double-base assembly, order cable management accessory package (BG210) separately.

Dimensions



Specification Information

Step 1.

BG10 A

Step 2. Configuration

7 single A

3 double A

Prices for Steps 1-2.

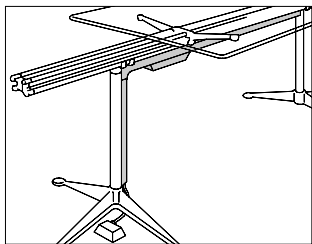
BG107 \$694
BG103 \$1248

Step 3. Column Finish

BU black umber A +\$0

Cable Management Accessory Package

BG210

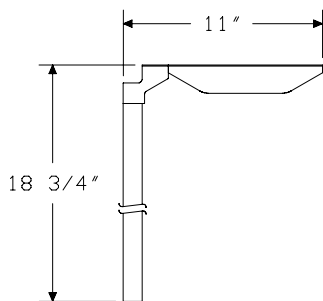


Product Information

Description

This accessory package attaches to a primary beam when more than 1 cable management package is required. It has a vertical cable manager, elbow, and amphenol cover. A cable management package is included with each single- and double-base assembly.

Dimensions



Specification Information

Step 1.

BG210 [A] \$111

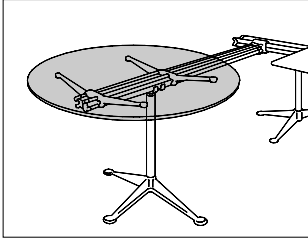
Step 2. Trim Finish

BU black umber [A] +\$0

Burdick Group™ Electrical Distribution

Round Work Surface

BG117
BG122

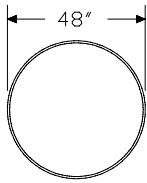


Product Information

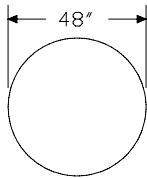
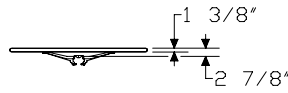
Description

This 48"-diameter work surface attaches to a beam. It has a laminate top and black vinyl edge, or a glass top. Attachment brackets are included.

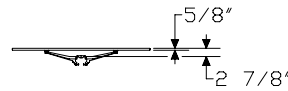
Dimensions



Vinyl



Glass



Burdick Group™ Work Surfaces

Specification Information

Step 1.

BG1

Step 2. Material

17 black vinyl edge

22 glass

Prices for Steps 1-2.

BG117	\$997
BG122	\$1846

Step 3. Top Finish

For black vinyl edge (17)

Solid-Color Laminate Top/Black Edge

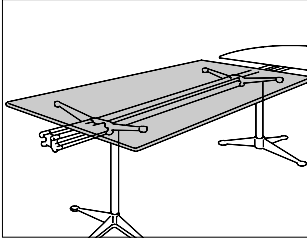
BU black umber <input type="checkbox"/>	+ \$0
HT inner tone <input type="checkbox"/>	+ \$0

Step 4. Bracket Finish

BU black umber <input type="checkbox"/>	+ \$0
CD polished aluminum <input type="checkbox"/>	+ \$0

Rectangular Work Surface

BG115
BG116
BG120
BG121

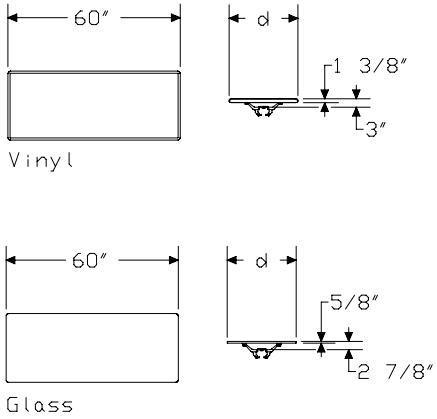


Product Information

Description

This 60"-wide work surface attaches to a beam. It has a laminate top and black vinyl edge or a glass top. Attachment brackets are included.

Dimensions



Specification Information

Step 1.

BG1 A

Step 2. Material/Depth

- 16** black vinyl edge and 24" deep A
- 15** black vinyl edge and 36" deep A
- 21** glass and 24" deep A
- 20** glass and 36" deep A

Prices for Steps 1-2.

BG116	\$726
BG115	\$915
BG121	\$1263
BG120	\$1657

Step 3. Top Finish

For black vinyl edge and 24" deep (16) or black vinyl edge and 36" deep (15)

Solid-Color Laminate Top/Black Edge

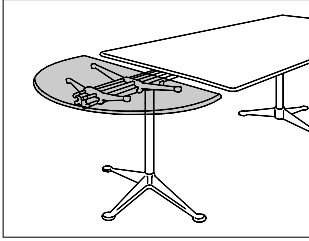
BU black umber <input type="checkbox"/> A	+ \$0
HT inner tone <input type="checkbox"/> A	+ \$0

Step 4. Bracket Finish

BU black umber <input type="checkbox"/> A	+ \$0
CD polished aluminum <input type="checkbox"/> A	+ \$0

1/2-Round Work Surface

BG118
BG123

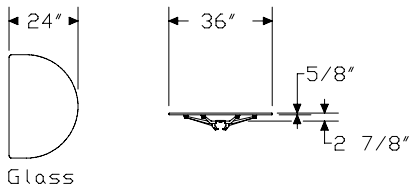
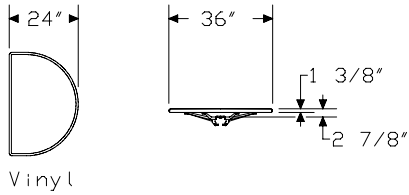


Product Information

Description

This 36"-diameter work surface attaches to a beam. It has a laminate top and black vinyl edge, or a glass top. Attachment brackets are included.

Dimensions



Specification Information

Step 1.

BG1 A

Step 2. Material

18 black vinyl edge A

23 glass A

Prices for Steps 1-2.

BG118	\$627
BG123	\$1115

Step 3. Top Finish

For black vinyl edge (18)

Solid-Color Laminate Top/Black Edge

BU black umber <input type="checkbox"/> A	+\$0
HT inner tone <input type="checkbox"/> A	+\$0


Step 4. Bracket Finish

BU black umber <input type="checkbox"/> A	+\$0
CD polished aluminum <input type="checkbox"/> A	+\$0

For more information about our products and services or to see a list of dealers, please visit us at www.HermanMiller.com or call (800) 851 1196.

This book is recyclable. Printed in U.S.A. on recycled paper.

© 2009 Herman Miller, Inc., Zeeland, Michigan

© HermanMiller, , Abak, Action Office, Aeron, Ambi, Ardea, Aside, Avive, Babble, C2, Caper, Celle, Co/Struc, DOT, Eames, Embody, Equa 2, Ergon 3, Ethospace, Fine-Tune, FlexFront, Formcoat, Ground Cloth, Herman Miller for Healthcare, Herman Miller Options, Intersect, Kinemat, Leaf, Lifework, Limerick, Meridian, Mirra, Passage, Pedastool, Pellicle, Perspectives, PostureFit, Prospects, Quadrant, Reaction, Resolve, RoomTune, Scooter, Stoa, Teneo, V-Wall, Vary Easy, Vivo, and Z-Axis are among the registered trademarks of Herman Miller, Inc., and its owned subsidiaries.

™ About Face, AireWeave, Airia, Arrio, Backfit, Boomerang, Bubbletack, Burdick Group, Celeste, Cellular Suspension, CLT, CoActive, Cognita, Compass, Cygnus, Enchord, EnhancedAccess, E-Wall, Flex-Edge, Flute, Harmonic, Herman Miller for the Home, Herman Miller International Collection, Herman Miller Select, Hopsak 2, Intent, Iota, Keyless Entry, Latitude, Lyris, Multiscrim, My Studio Environments, Nelson, Pixelated Support, Programmable Environments, Q, Rapunzel, Recline Selector, Sense, Setu, Stackable, Stackable Storage, The Be Collection, Thinking is good for you, TriFlex, Tu, and Twist are among the trademarks of Herman Miller, Inc., and its owned subsidiaries.

SM TAP, Textile Alliance Program and Thoughtpile are among the service marks of Herman Miller, Inc.

Chemsurf is a registered trademark of Wilsonart International.

Corian is a registered trademark of DuPont.

FLEXNET is a trademark of Milliken & Co.

Floor Saver Glide™ is a trademark of Carpin Manufacturing Inc.

Geiger is a registered trademark of Geiger International.

Goetz is a trademark of Mark W. Goetz.

Hang-It-All is a registered trademark of Lucia Eames Demetrios, d.b.a. Eames Office.

Holophane is a registered trademark of Holophane.

Ingeo is a trademark of Cargill Dow LLC.

Microsoft and Natural Keyboard are registered trademarks of Microsoft Corporation.

Noguchi® is a registered trademark of The Isamu Noguchi Foundation and Garden Museum.

Qt Quiet technology and Qt are trademarks of Cambridge Sound Management, Inc.