

Celeste™ Seating

Prices effective December 7, 2009

Introduction	page 2
Celeste™ Seating	3
Lounge Seating	5
Appendices	

To view and/or print price book appendices, select the appropriate price book from www.HermanMiller.com.



Introduction

A Note on the Organization of This Book

There are a few signals that will help you understand the organization of this book. Once you know them, you should be able to find your way around easily.

Like a newspaper, this book is formatted with columns of text and illustrations that run vertically.

Information wraps from one column to the next and continues for as many pages as it needs to.

Black bars are clues.

A black bar at the top of a page signals the start of information about a product.

This information is divided into two sections, each signaled by a black bar. Product Information includes a description, additional notes, and dimensional drawings. Specification Information, which always begins at the top of a column, includes a series of steps. Each step represents a decision you need to make in order to complete your product number. Steps must be followed sequentially. The number of pages needed to complete information on a product varies; some will be complete in one page; others may fill three or four pages. Just continue going through the steps until you run into the next product, signaled by the black bar at the top of the page.

Black tabs running along the outside edge of the page help you locate what section you are in or what section you want to go to. You can thumb forwards or backwards to find a section; tabs and text appear on both sides of the page.

The additional pages in the back of the book include the appendices and indices. They are signaled by a long black bar running along the outside edge of the page.

The index is presented two ways.

The first index is in alphabetical order by product name. It can be helpful if you are new to the products and numbering scheme or if you are looking for a type of product, such as work chair or round table.

The second index is by product number. It lists, in alphanumeric order, the base product number, typically a five-digit number.

General Information

This book is effective December 7, 2009, subject to change without notice. Products may be purchased from authorized Herman Miller dealers who will quote prices upon request. For more information about our products and services or to see a list of dealers, visit www.HermanMiller.com.

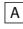
All prices are list prices. Additional services, such as planning services, design, storage, and installation, are not included and must be added to these prices when the additional services are requested.

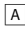
Illustrations, specifications, and prices are based on the latest information at the time of publication. The right is reserved to make changes at any time without notice in prices, fabrics, finishes, materials, specifications, and models, and also to discontinue models and finishes.

Dimensions shown in the drawings are engineering drawing dimensions rounded up to the nearest $\frac{1}{8}$ ". Product is shipped set up or knocked down. Products that include "Shipped knocked down" in the description require some assembly. If this statement does not appear in the description, the product is shipped assembled.

Service problems are normally handled by a Herman Miller authorized dealer. Where this cannot be accomplished on a local level, service problems should be referred to the Customer Care Representative for your region, Herman Miller, Inc., Zeeland, Michigan 49464.

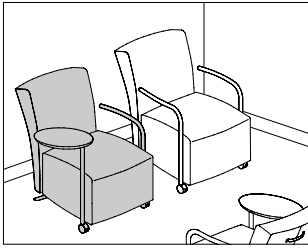
20-Day or Less/Assigned Lead-Time Shipments

All products and options in this price book not designated by an Assigned Program icon  will ship in **20 business days or less** after being acknowledged by Herman Miller.

Products and options designated by an  are on the assigned lead-time program and may ship in 20 days, less than 20 days, or more than 20 days from order acknowledgement.

Lounge Chair

CL11L	CL12X	CL14X	CL16L
CL11M	CL12Y	CL14Y	CL16M
CL11W	CL12Z	CL14Z	CL16W
CL11X	CL13M	CL15L	CL16X
CL11Y	CL13W	CL15M	CL16Y
CL11Z	CL13X	CL15W	CL16Z
CL12L	CL14L	CL15X	
CL12M	CL14M	CL15Y	
CL12W	CL14W	CL15Z	



Product Information

Description

This chair has a tubular frame and an upholstered-foam back and seat. It has a welt cord along the outside edge of the back and along the top edge of the seat. The back and seat can be specified with 1 or 2 fabrics, 1 or 2 leathers, or a combination of fabric and leather. The arms can be specified with 2 metal arms, 2 leather arms, 1 metal arm and 1 tablet arm, or 1 leather arm and 1 tablet arm. A chair with a tablet arm includes 2 casters on the front, 2 glides on the back, and a back handle for easy movement. The 2" casters are black nylon with double wheels. The oval tablet arms have a laminate or veneer surface and swivel 360°. A fire-retardant chair meets CAL 133 requirements; this chair is manufactured with cushions covered with a fire-barrier material and upholstered in approved fire-retardant fabrics.

Notes

When front casters (C) are specified, a back handle is included.

Following are planning considerations for back, seat, and arm materials:

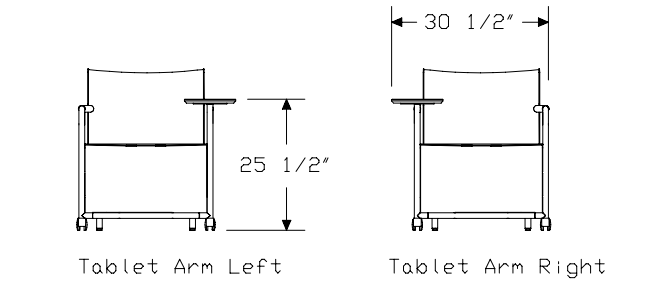
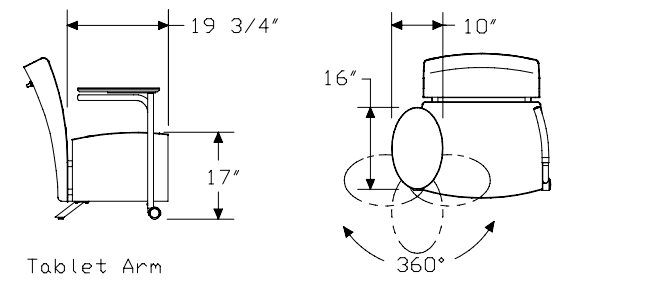
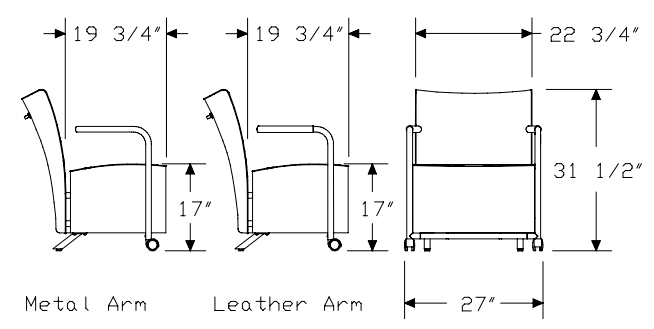
- If 2 different fabrics are specified on back and seat, leather arms cannot be specified.
- If 2 different leathers are specified for back and seat, leather arms will match leather seat.
- For fabric back and leather seat, leather arms can be specified. Leather arms will match leather seat.
- For leather back and fabric seat, leather arms can be specified. Arms will match leather back.

For contrasting welt colors or for fabric and/or leather combinations not available as standard product, contact Herman Miller Options. Call (800) 654 3910 for more information.

Customer's Own Material (COM) and Customer's Own Leather (COL) require the following. See Order Information in Appendices for additional information.

Type—COM—COL
 Chair—3½ yards—63 square feet
 Back only—2½ yards—36 square feet
 Seat only—2½ yards—36 square feet
 Leather arms only—NA—1 square foot

Dimensions



Celeste™ Lounge Seating

Lounge Chair *continued*

Specification Information

Step 1.

CL1 A

Step 2. Upholstery

- 1** 1 fabric A
- 2** 1 leather A
- 3** 2 fabrics A
- 4** 2 leathers A
- 5** fabric back, leather seat A
- 6** leather back, fabric seat A

Step 3. Arms

For 1 fabric (1), 1 leather (2), 2 leathers (4), fabric back, leather seat (5), or leather back, fabric seat (6)

- M** metal arms A
- L** leather arms A
- W** tablet arm left, metal arm right A
- X** metal arm left, tablet arm right A
- Y** tablet arm left, leather arm right A
- Z** leather arm left, tablet arm right A

For 2 fabrics (3)

- M** metal arms A
- W** tablet arm left, metal arm right A
- X** metal arm left, tablet arm right A

Step 4. Casters/Glides

For metal arms (M) or leather arms (L)

- C** front casters, back glides A
- G** front and back glides A

For tablet arm left, metal arm right (W), metal arm left, tablet arm right (X), tablet arm left, leather arm right (Y), or leather arm left, tablet arm right (Z)

- C** front casters, back glides A

Step 5. Fire Retardancy

For not fire retardant (), skip this step.*

For 1 fabric (1) or 2 fabrics (3)

- FR** fire retardant A

For 1 leather (2), 2 leathers (4), fabric back, leather seat (5), or leather back, fabric seat (6), skip this step.

Prices for Steps 1-5.

		*	FR
CL11M	C	\$1464	1698
	G	\$1431	1664
CL11L	C	\$1712	1945
	G	\$1676	1909
CL11W	C	\$1787	2020
CL11X	C	\$1787	2020
CL11Y	C	\$1915	2148
CL11Z	C	\$1915	2148
CL12M	C	\$1464	—
	G	\$1431	—
CL12L	C	\$1712	—
	G	\$1676	—
CL12W	C	\$1787	—
CL12X	C	\$1787	—
CL12Y	C	\$1915	—
CL12Z	C	\$1915	—
CL13M	C	\$1464	1698
	G	\$1431	1664
CL13W	C	\$1751	1984
CL13X	C	\$1751	1984
CL14M	C	\$1464	—
	G	\$1431	—
CL14L	C	\$1712	—
	G	\$1676	—
CL14W	C	\$1787	—
CL14X	C	\$1787	—

CL14Y	C	\$1915	—
CL14Z	C	\$1915	—
CL15M	C	\$1464	—
	G	\$1431	—
CL15L	C	\$1712	—
	G	\$1676	—
CL15W	C	\$1787	—
CL15X	C	\$1787	—
CL15Y	C	\$1915	—
CL15Z	C	\$1915	—
CL16M	C	\$1464	—
	G	\$1431	—
CL16L	C	\$1712	—
	G	\$1676	—
CL16W	C	\$1787	—
CL16X	C	\$1787	—
CL16Y	C	\$1915	—
CL16Z	C	\$1915	—

Step 6. Frame Finish

G1	graphite A	+\$0
MS	metallic silver A	+\$40

Step 7. Tablet Arm Surface Finish

Solid-Color Laminate

For tablet arm left, metal arm right (W), metal arm left, tablet arm right (X), tablet arm left, leather arm right (Y), or leather arm left, tablet arm right (Z)

8Q	folkstone grey A	+\$0
91	white A	+\$0
BU	black umber A	+\$0
WL	sandstone A	+\$0
X1	chalk white A	+\$0

Wood Veneer
For tablet arm left, metal arm right (W), metal arm left, tablet arm right (X), tablet arm left, leather arm right (Y), or leather arm left, tablet arm right (Z)

EG	medium brown walnut A	+\$30
UL	natural maple A	+\$30
UQ	light cherry A	+\$30

Step 8.

See application chart and textiles list for fabric usage and numbers. First 2 digits of number indicate fabric line; remaining digit(s) indicate fabric color.

Fabric Back and Seat

For 1 fabric (1) with not fire retardant

Price Category 1	+\$0
Price Category 2	+\$40
Price Category 3	+\$60
Price Category 4	+\$100
Price Category B	+\$120
Price Category E	+\$220
Price Category F	+\$260
Price Category G	+\$400
Price Category H	+\$560

Fabric Back and Seat

For 1 fabric (1) with fire retardant (FR)

Price Category 1	+\$0
Price Category 2	+\$40
Price Category 3	+\$60

Leather Back and Seat

For 1 leather (2) with not fire retardant

Price Category 7	+\$240
Price Category 9	+\$850

Fabric Back

For 2 fabrics (3) with fire retardant (FR)

Price Category 1	+\$0
Price Category 2	+\$20
Price Category 3	+\$30

Lounge Chair *continued*

Fabric Back
For 2 fabrics (3) or fabric back, leather seat (5) with not fire retardant

Price Category 1	+\$0
Price Category 2	+\$20
Price Category 3	+\$30
Price Category 4	+\$50
Price Category B	+\$60
Price Category E	+\$110
Price Category F	+\$130
Price Category G	+\$200
Price Category H	+\$280

Leather Back
For 2 leathers (4) or leather back, fabric seat (6) with not fire retardant

Price Category 7	+\$120
Price Category 9	+\$425

Step 9.
See application chart and textiles list for fabric usage and numbers. First 2 digits of number indicate fabric line; remaining digit(s) indicate fabric color.

Leather Arms
For 1 fabric (1) with leather arms (L), tablet arm left, leather arm right (Y) or leather arm left, tablet arm right (Z); 1 leather (2) with leather arms (L), tablet arm left, leather arm right (Y) or leather arm left, tablet arm right (Z)

Price Category 7	+\$0
Price Category 9	+\$0

Fabric Seat
For 2 fabrics (3) with fire retardant (FR)

Price Category 1	+\$0
Price Category 2	+\$20
Price Category 3	+\$30

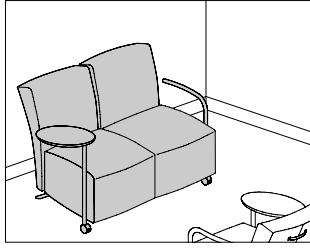
Fabric Seat
For 2 fabrics (3) or leather back, fabric seat (6) with not fire retardant

Price Category 1	+\$0
Price Category 2	+\$20
Price Category 3	+\$30
Price Category 4	+\$50
Price Category B	+\$60
Price Category E	+\$110
Price Category F	+\$130
Price Category G	+\$200
Price Category H	+\$280

Leather Seat
For 2 leathers (4) or fabric back, leather seat (5) with not fire retardant

Price Category 7	+\$120
Price Category 9	+\$425

2-Seat Sofa



CL21B	CL22M	CL24B	CL25M	CL26X
CL21L	CL22W	CL24L	CL25W	CL26Y
CL21M	CL22X	CL24M	CL25X	CL26Z
CL21W	CL22Y	CL24W	CL25Y	
CL21X	CL22Z	CL24X	CL25Z	
CL21Y	CL23B	CL24Y	CL26B	
CL21Z	CL23M	CL24Z	CL26L	
CL22B	CL23W	CL25B	CL26M	
CL22L	CL23X	CL25L	CL26W	

Product Information

Description

This 2-seat sofa has a tubular frame and upholstered-foam backs and seats. It has a welt cord along the outside edge of the back and along the top edge of each seat. The back and seat can be specified with 1 or 2 fabrics, 1 or 2 leathers, or a combination of fabric and leather. The arms can be specified with 2 metal arms, 2 leather arms, 1 metal arm and 1 tablet arm, 1 leather arm and 1 tablet arm, or 2 tablet arms. A sofa with a tablet arm includes 2 casters on the front, 2 glides on the back, and 2 back handles for easy movement. The 2" casters are black nylon with double wheels. The oval tablet arms have a laminate or veneer surface and swivel 360°.

A fire-retardant sofa meets CAL 133 requirements; this sofa is manufactured with cushions covered with a fire-barrier material and upholstered in approved fire-retardant fabrics.

Notes

When front casters (C) are specified, 2 back handles are included.

Following are planning considerations for back, seat, and arm materials:

- If 2 different fabrics are specified on back and seat, leather arms cannot be specified.
- If 2 different leathers are specified for back and seat, leather arms will match leather seat.
- For fabric back and leather seat, leather arms can be specified. Leather arms will match leather seat.
- For leather back and fabric seat, leather arms can be specified. Arms will match leather back.

For contrasting welt colors or for fabric and/or leather combinations not available as standard product, contact Herman Miller Options. Call (800) 654 3910 for more information.

Customer's Own Material (COM) and Customer's Own Leather (COL) require the following. See Order Information in Appendices for additional information.

Type—COM—COL

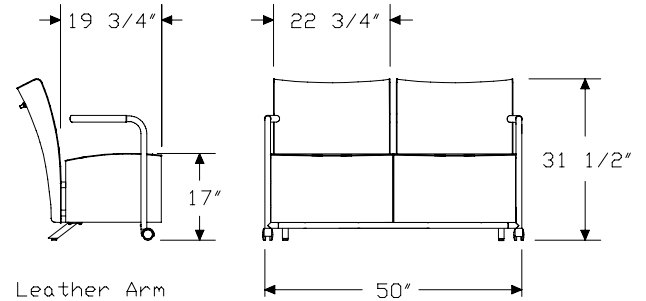
Chair—6½ yards—117 square feet

Back only—5 yards—67 square feet

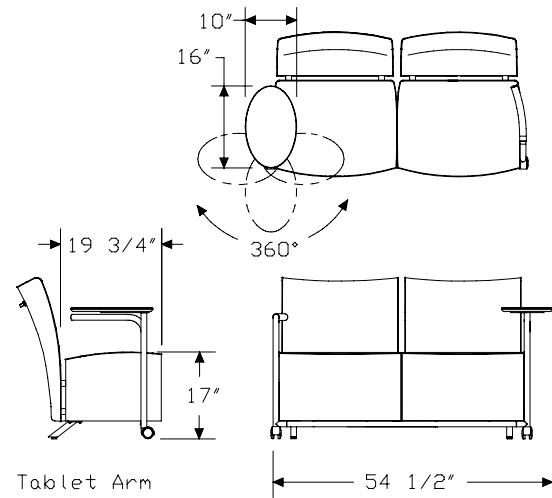
Seat only—5 yards—67 square feet

Leather arms only—NA—1 square foot

Dimensions

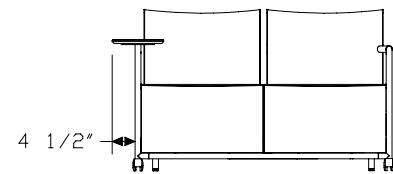


Leather Arm

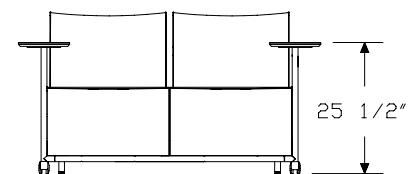


Tablet Arm

Tablet Arm Left



Tablet Arm Right



Tablet Arms Left & Right

Specification Information

Step 1.

CL2 A

Step 2. Upholstery

- 1** 1 fabric A
- 2** 1 leather A
- 3** 2 fabrics A
- 4** 2 leathers A
- 5** fabric back, leather seat A
- 6** leather back, fabric seat A

Step 3. Arms

For 1 fabric (1), 1 leather (2), 2 leathers (4), fabric back, leather seat (5), or leather back, fabric seat (6)

- M** metal arms A
- L** leather arms A
- W** tablet arm left, metal arm right A
- X** metal arm left, tablet arm right A
- Y** tablet arm left, leather arm right A
- Z** leather arm left, tablet arm right A
- B** tablet arms left and right A

For 2 fabrics (3)

- M** metal arms A
- W** tablet arm left, metal arm right A
- X** metal arm left, tablet arm right A
- B** tablet arms left and right A

Step 4. Casters/Glides

For metal arms (M) or leather arms (L)

- C** front casters, back glides A
- G** front and back glides A

For tablet arm left, metal arm right (W), metal arm left, tablet arm right (X), tablet arm left, leather arm right (Y), leather arm left, tablet arm right (Z), or tablet arms left and right (B)

- C** front casters, back glides A

Step 5. Fire Retardancy

For not fire retardant (), skip this step.*

For 1 fabric (1) or 2 fabrics (3)

- FR** fire retardant A

For 1 leather (2), 2 leathers (4), fabric back, leather seat (5), or leather back, fabric seat (6), skip this step.

Prices for Steps 1-5.

		*	FR
CL21M	C	\$2535	3002
	G	\$2499	2967
CL21L	C	\$2781	3249
	G	\$2747	3215
CL21W	C	\$2856	3325
CL21X	C	\$2856	3325
CL21Y	C	\$2985	3453
CL21Z	C	\$2985	3453
CL21B	C	\$3178	3645
CL22M	C	\$2535	—
	G	\$2499	—
CL22L	C	\$2781	—
	G	\$2747	—
CL22W	C	\$2856	—
CL22X	C	\$2856	—
CL22Y	C	\$2985	—
CL22Z	C	\$2985	—
CL22B	C	\$3178	—
CL23M	C	\$2535	3002
	G	\$2499	2967
CL23W	C	\$2856	3325
CL23X	C	\$2856	3325
CL23B	C	\$3178	3645

CL24M C	\$2535	—
G	\$2499	—
CL24L C	\$2781	—
G	\$2747	—
CL24W C	\$2856	—
CL24X C	\$2856	—
CL24Y C	\$2985	—
CL24Z C	\$2985	—
CL24B C	\$3178	—
CL25M C	\$2535	—
G	\$2499	—
CL25L C	\$2781	—
G	\$2747	—
CL25W C	\$2856	—
CL25X C	\$2856	—
CL25Y C	\$2985	—
CL25Z C	\$2985	—
CL25B C	\$3178	—
CL26M C	\$2535	—
G	\$2499	—
CL26L C	\$2781	—
G	\$2747	—
CL26W C	\$2856	—
CL26X C	\$2856	—
CL26Y C	\$2985	—
CL26Z C	\$2985	—
CL26B C	\$3178	—

Step 6. Frame Finish		
G1	graphite A	+\$0
MS	metallic silver A	+\$60

Step 7. Tablet Arm Surface Finish

Solid-Color Laminate
For tablet arm left, metal arm right (W), metal arm left, tablet arm right (X), tablet arm left, leather arm right (Y), leather arm left, tablet arm right (Z), or tablet arms left and right (B)

		W	X	Y	Z	B
8Q	folkstone grey A	+\$0	0	0	0	0
91	white A	+\$0	0	0	0	0
BU	black umber A	+\$0	0	0	0	0
WL	sandstone A	+\$0	0	0	0	0
X1	chalk white A	+\$0	0	0	0	0

Wood Veneer
For tablet arm left, metal arm right (W), metal arm left, tablet arm right (X), tablet arm left, leather arm right (Y), leather arm left, tablet arm right (Z), or tablet arms left and right (B)

		W	X	Y	Z	B
EG	medium brown walnut A	+\$30	30	30	30	60
UL	natural maple A	+\$30	30	30	30	60
UQ	light cherry A	+\$30	30	30	30	60

Step 8.
See application chart and textiles list for fabric usage and numbers. First 2 digits of number indicate fabric line; remaining digit(s) indicate fabric color.

Fabric Back and Seat	
<i>For 1 fabric (1) with not fire retardant</i>	
Price Category 1	+\$0
Price Category 2	+\$80
Price Category 3	+\$120
Price Category 4	+\$200
Price Category B	+\$240
Price Category E	+\$440
Price Category F	+\$520
Price Category G	+\$800
Price Category H	+\$1120

Fabric Back and Seat
For 1 fabric (1) with fire retardant (FR)

Price Category 1	+\$0
Price Category 2	+\$80
Price Category 3	+\$120

Leather Back and Seat
For 1 leather (2) with not fire retardant

Price Category 7	+\$480
Price Category 9	+\$1700

Fabric Back
For 2 fabrics (3) with fire retardant (FR)

Price Category 1	+\$0
Price Category 2	+\$40
Price Category 3	+\$60

Fabric Back
For 2 fabrics (3) or fabric back, leather seat (5) with not fire retardant

Price Category 1	+\$0
Price Category 2	+\$40
Price Category 3	+\$60
Price Category 4	+\$100
Price Category B	+\$120
Price Category E	+\$220
Price Category F	+\$260
Price Category G	+\$400
Price Category H	+\$560

Leather Back
For 2 leathers (4) or leather back, fabric seat (6) with not fire retardant

Price Category 7	+\$240
Price Category 9	+\$850

Step 9.
 See application chart and textiles list for fabric usage and numbers. First 2 digits of number indicate fabric line; remaining digit(s) indicate fabric color.

Leather Arms
For 1 fabric (1) with leather arms (L), tablet arm left, leather arm right (Y) or leather arm left, tablet arm right (Z); 1 leather (2) with leather arms (L), tablet arm left, leather arm right (Y) or leather arm left, tablet arm right (Z)

Price Category 7	+\$0
Price Category 9	+\$0

Fabric Seat
For 2 fabrics (3) with fire retardant (FR)

Price Category 1	+\$0
Price Category 2	+\$40
Price Category 3	+\$60

Fabric Seat
For 2 fabrics (3) or leather back, fabric seat (6) with not fire retardant

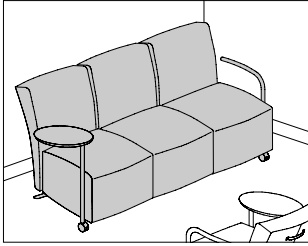
Price Category 1	+\$0
Price Category 2	+\$40
Price Category 3	+\$60
Price Category 4	+\$100
Price Category B	+\$120
Price Category E	+\$220
Price Category F	+\$260
Price Category G	+\$400
Price Category H	+\$560

Leather Seat
For 2 leathers (4) or fabric back, leather seat (5) with not fire retardant

Price Category 7	+\$240
Price Category 9	+\$850

3-Seat Sofa

CL31B	CL32M	CL34B	CL35M	CL36X
CL31L	CL32W	CL34L	CL35W	CL36Y
CL31M	CL32X	CL34M	CL35X	CL36Z
CL31W	CL32Y	CL34W	CL35Y	
CL31X	CL32Z	CL34X	CL35Z	
CL31Y	CL33B	CL34Y	CL36B	
CL31Z	CL33M	CL34Z	CL36L	
CL32B	CL33W	CL35B	CL36M	
CL32L	CL33X	CL35L	CL36W	



Product Information

Description

This 3-seat sofa has a tubular frame and upholstered-foam backs and seats. It has a welt cord along the outside edge of the back and along the top edge of each seat. The back and seat can be specified with 1 or 2 fabrics, 1 or 2 leathers, or a combination of fabric and leather. The arms can be specified with 2 metal arms, 2 leather arms, 1 metal arm and 1 tablet arm, 1 leather arm and 1 tablet arm, or 2 tablet arms. A sofa with a tablet arm includes 2 casters on the front, 2 glides on the back, and 2 back handles for easy movement. The 2" casters are black nylon with double wheels. The oval tablet arms have a laminate or veneer surface and swivel 360°.

A fire-retardant sofa meets CAL 133 requirements; this sofa is manufactured with cushions covered with a fire-barrier material and upholstered in approved fire-retardant fabrics.

Notes

When front casters (C) are specified, 2 back handles are included.

Following are planning considerations for back, seat, and arm materials:

- If 2 different fabrics are specified on back and seat, leather arms cannot be specified.
- If 2 different leathers are specified for back and seat, leather arms will match leather seat.
- For fabric back and leather seat, leather arms can be specified. Leather arms will match leather seat.
- For leather back and fabric seat, leather arms can be specified. Arms will match leather back.

For contrasting welt colors or for fabric and/or leather combinations not available as standard product, contact Herman Miller Options. Call (800) 654 3910 for more information.

Customer's Own Material (COM) and Customer's Own Leather (COL) require the following. See Order Information in Appendices for additional information.

Type—COM—COL

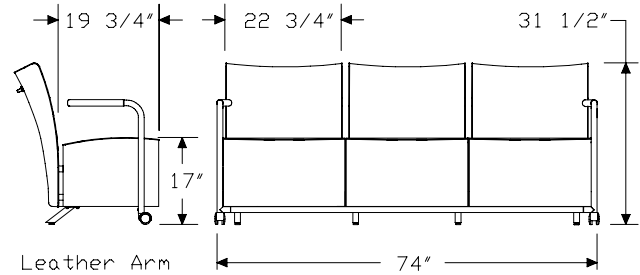
Chair—9½ yards—171 square feet

Back only—7½ yards—108 square feet

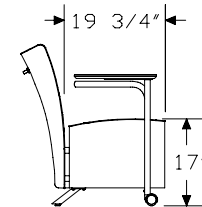
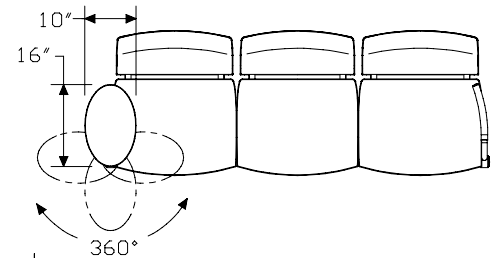
Seat only—7½ yards—108 square feet

Leather arms only—NA—1 square foot

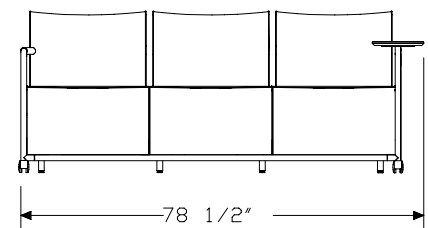
Dimensions



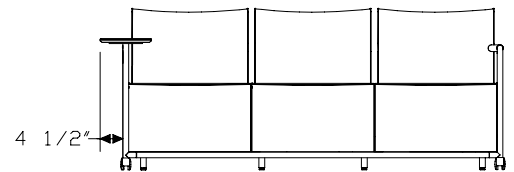
Leather Arm



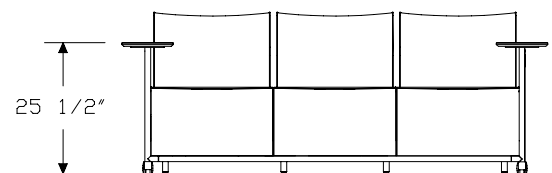
Tablet Arm



Tablet Arm Left



Tablet Arm Right



Tablet Arms Left & Right

Specification Information

Step 1.

CL3 A

Step 2. Upholstery

- 1** 1 fabric A
- 2** 1 leather A
- 3** 2 fabrics A
- 4** 2 leathers A
- 5** fabric back, leather seat A
- 6** leather back, fabric seat A

Step 3. Arms

For 1 fabric (1), 1 leather (2), 2 leathers (4), fabric back, leather seat (5), or leather back, fabric seat (6)

- M** metal arms A
- L** leather arms A
- W** tablet arm left, metal arm right A
- X** metal arm left, tablet arm right A
- Y** tablet arm left, leather arm right A
- Z** leather arm left, tablet arm right A
- B** tablet arms left and right A

For 2 fabrics (3)

- M** metal arms A
- W** tablet arm left, metal arm right A
- X** metal arm left, tablet arm right A
- B** tablet arms left and right A

Step 4. Casters/Glides

For metal arms (M) or leather arms (L)

- C** front casters, back glides A
- G** front and back glides A

For tablet arm left, metal arm right (W), metal arm left, tablet arm right (X), tablet arm left, leather arm right (Y), leather arm left, tablet arm right (Z), or tablet arms left and right (B)

- C** front casters, back glides A

Step 5. Fire Retardancy

For not fire retardant (), skip this step.*

For 1 fabric (1) or 2 fabrics (3)

- FR** fire retardant A

For 1 leather (2), 2 leathers (4), fabric back, leather seat (5), or leather back, fabric seat (6), skip this step.

Prices for Steps 1-5.

		*	FR
CL31M	C	\$3657	4357
	G	\$3621	4321
CL31L	C	\$3902	4604
	G	\$3868	4569
CL31W	C	\$3978	4679
CL31X	C	\$3978	4679
CL31Y	C	\$4106	4807
CL31Z	C	\$4106	4807
CL31B	C	\$4298	5000
CL32M	C	\$3657	—
	G	\$3621	—
CL32L	C	\$3902	—
	G	\$3868	—
CL32W	C	\$3978	—
CL32X	C	\$3978	—
CL32Y	C	\$4106	—
CL32Z	C	\$4106	—
CL32B	C	\$4298	—
CL33M	C	\$3657	4357
	G	\$3621	4321
CL33W	C	\$3978	4679
CL33X	C	\$3978	4679
CL33B	C	\$4298	5000

CL34M C	\$3657	—
G	\$3621	—
CL34L C	\$3902	—
G	\$3868	—
CL34W C	\$3978	—
CL34X C	\$3978	—
CL34Y C	\$4106	—
CL34Z C	\$4106	—
CL34B C	\$4298	—
CL35M C	\$3657	—
G	\$3621	—
CL35L C	\$3902	—
G	\$3868	—
CL35W C	\$3978	—
CL35X C	\$3978	—
CL35Y C	\$4106	—
CL35Z C	\$4106	—
CL35B C	\$4298	—
CL36M C	\$3657	—
G	\$3621	—
CL36L C	\$3902	—
G	\$3868	—
CL36W C	\$3978	—
CL36X C	\$3978	—
CL36Y C	\$4106	—
CL36Z C	\$4106	—
CL36B C	\$4298	—

Step 6. Frame Finish		
G1	graphite A	+\$0
MS	metallic silver A	+\$80

Step 7. Tablet Arm Surface Finish

Solid-Color Laminate
For tablet arm left, metal arm right (W), metal arm left, tablet arm right (X), tablet arm left, leather arm right (Y), leather arm left, tablet arm right (Z), or tablet arms left and right (B)

		W	X	Y	Z	B
8Q	folkstone grey A	+\$0	0	0	0	0
91	white A	+\$0	0	0	0	0
BU	black umber A	+\$0	0	0	0	0
WL	sandstone A	+\$0	0	0	0	0
X1	chalk white A	+\$0	0	0	0	0

Wood Veneer
For tablet arm left, metal arm right (W), metal arm left, tablet arm right (X), tablet arm left, leather arm right (Y), leather arm left, tablet arm right (Z), or tablet arms left and right (B)

		W	X	Y	Z	B
EG	medium brown walnut A	+\$30	30	30	30	60
UL	natural maple A	+\$30	30	30	30	60
UQ	light cherry A	+\$30	30	30	30	60

Step 8.
See application chart and textiles list for fabric usage and numbers. First 2 digits of number indicate fabric line; remaining digit(s) indicate fabric color.

Fabric Back and Seat		
<i>For 1 fabric (1) with not fire retardant</i>		
Price Category 1		+\$0
Price Category 2		+\$120
Price Category 3		+\$180
Price Category 4		+\$300
Price Category B		+\$360
Price Category E		+\$660
Price Category F		+\$780
Price Category G		+\$1200
Price Category H		+\$1680

Fabric Back and Seat
For 1 fabric (1) with fire retardant (FR)

Price Category 1	+\$0
Price Category 2	+\$120
Price Category 3	+\$180

Leather Back and Seat
For 1 leather (2) with not fire retardant

Price Category 7	+\$720
Price Category 9	+\$2550

Fabric Back
For 2 fabrics (3) with fire retardant (FR)

Price Category 1	+\$0
Price Category 2	+\$60
Price Category 3	+\$90

Fabric Back
For 2 fabrics (3) or fabric back, leather seat (5) with not fire retardant

Price Category 1	+\$0
Price Category 2	+\$60
Price Category 3	+\$90
Price Category 4	+\$150
Price Category B	+\$180
Price Category E	+\$330
Price Category F	+\$390
Price Category G	+\$600
Price Category H	+\$840

Leather Back
For 2 leathers (4) or leather back, fabric seat (6) with not fire retardant

Price Category 7	+\$360
Price Category 9	+\$1275

Step 9.
 See application chart and textiles list for fabric usage and numbers. First 2 digits of number indicate fabric line; remaining digit(s) indicate fabric color.

Leather Arms
For 1 fabric (1) with leather arms (L), tablet arm left, leather arm right (Y) or leather arm left, tablet arm right (Z); 1 leather (2) with leather arms (L), tablet arm left, leather arm right (Y) or leather arm left, tablet arm right (Z)

Price Category 7	+\$0
Price Category 9	+\$0

Fabric Seat
For 2 fabrics (3) with fire retardant (FR)

Price Category 1	+\$0
Price Category 2	+\$60
Price Category 3	+\$90

Fabric Seat
For 2 fabrics (3) or leather back, fabric seat (6) with not fire retardant

Price Category 1	+\$0
Price Category 2	+\$60
Price Category 3	+\$90
Price Category 4	+\$150
Price Category B	+\$180
Price Category E	+\$330
Price Category F	+\$390
Price Category G	+\$600
Price Category H	+\$840


Leather Seat
For 2 leathers (4) or fabric back, leather seat (5) with not fire retardant

Price Category 7	+\$360
Price Category 9	+\$1275

For more information about our products and services or to see a list of dealers, please visit us at www.HermanMiller.com or call (800) 851 1196.

This book is recyclable. Printed in U.S.A. on recycled paper.

© 2009 Herman Miller, Inc., Zeeland, Michigan

© HermanMiller, , Abak, Action Office, Aeron, Ambi, Ardea, Aside, Avive, Babble, C2, Caper, Celle, Co/Struc, DOT, Eames, Embody, Equa 2, Ergon 3, Ethospace, Fine-Tune, FlexFront, Formcoat, Ground Cloth, Herman Miller for Healthcare, Herman Miller Options, Intersect, Kinemat, Leaf, Lifework, Limerick, Meridian, Mirra, Passage, Pedastool, Pellicle, Perspectives, PostureFit, Prospects, Quadrant, Reaction, Resolve, RoomTune, Scooter, Stoa, Teneo, V-Wall, Vary Easy, Vivo, and Z-Axis are among the registered trademarks of Herman Miller, Inc., and its owned subsidiaries.

™ About Face, AireWeave, Airia, Arrio, Backfit, Boomerang, Bubbletack, Burdick Group, Celeste, Cellular Suspension, CLT, CoActive, Cognita, Compass, Cygnus, Enchord, EnhancedAccess, E-Wall, Flex-Edge, Flute, Harmonic, Herman Miller for the Home, Herman Miller International Collection, Herman Miller Select, Hopsak 2, Intent, Iota, Keyless Entry, Latitude, Lyris, Multiscrim, My Studio Environments, Nelson, Pixelated Support, Programmable Environments, Q, Rapunzel, Recline Selector, Sense, Setu, Stackable, Stackable Storage, The Be Collection, Thinking is good for you, TriFlex, Tu, and Twist are among the trademarks of Herman Miller, Inc., and its owned subsidiaries.

SM TAP, Textile Alliance Program and Thoughtpile are among the service marks of Herman Miller, Inc.

Chemsurf is a registered trademark of Wilsonart International.

Corian is a registered trademark of DuPont.

FLEXNET is a trademark of Milliken & Co.

Floor Saver Glide™ is a trademark of Carpin Manufacturing Inc.

Geiger is a registered trademark of Geiger International.

Goetz is a trademark of Mark W. Goetz.

Hang-It-All is a registered trademark of Lucia Eames Demetrios, d.b.a. Eames Office.

Holophane is a registered trademark of Holophane.

Ingeo is a trademark of Cargill Dow LLC.

Microsoft and Natural Keyboard are registered trademarks of Microsoft Corporation.

Noguchi® is a registered trademark of The Isamu Noguchi Foundation and Garden Museum.

Qt Quiet technology and Qt are trademarks of Cambridge Sound Management, Inc.