

Meridian® Storage Cases and Bookcases

Prices effective December 7, 2009
Published June 2010

Introduction	page 2
Meridian® Storage Cases and Bookcases	3
Storage Cases	5
Bookcases	27
Indices	43
By Name	43
By Number	45
Appendices	
To view and/or print price book appendices, select the appropriate price book from HermanMiller.com .	

Introduction

A Note on the Organization of This Book

There are a few signals that will help you understand the organization of this book. Once you know them, you should be able to find your way around easily.

Like a newspaper, this book is formatted with columns of text and illustrations that run vertically.

Information wraps from one column to the next and continues for as many pages as it needs to.

Black bars are clues.

A black bar at the top of a page signals the start of information about a product.

This information is divided into two sections, each signaled by a black bar. Product Information includes a description, additional notes, and dimensional drawings. Specification Information, which always begins at the top of a column, includes a series of steps. Each step represents a decision you need to make in order to complete your product number. Steps must be followed sequentially. The number of pages needed to complete information on a product varies; some will be complete in one page; others may fill three or four pages. Just continue going through the steps until you run into the next product, signaled by the black bar at the top of the page.

Black tabs running along the outside edge of the page help you locate what section you are in or what section you want to go to. You can thumb forwards or backwards to find a section; tabs and text appear on both sides of the page.

The additional pages in the back of the book include the appendices and indices. They are signaled by a long black bar running along the outside edge of the page.

The index is presented two ways.

The first index is in alphabetical order by product name. It can be helpful if you are new to the products and numbering scheme or if you are looking for a type of product, such as work chair or round table.

The second index is by product number. It lists, in alphanumeric order, the base product number, typically a five-digit number.

General Information

This book is effective December 7, 2009, subject to change without notice. Products may be purchased from authorized Herman Miller dealers who will quote prices upon request. For more information about our products and services or to see a list of dealers, visit www.HermanMiller.com.


All prices are list prices. Additional services, such as planning services, design, storage, and installation, are not included and must be added to these prices when the additional services are requested.


Illustrations, specifications, and prices are based on the latest information at the time of publication. The right is reserved to make changes at any time without notice in prices, fabrics, finishes, materials, specifications, and models, and also to discontinue models and finishes.

Dimensions shown in the drawings are engineering drawing dimensions rounded up to the nearest $\frac{1}{8}$ ". Product is shipped set up or knocked down. Products that include "Shipped knocked down" in the description require some assembly. If this statement does not appear in the description, the product is shipped assembled.

Service problems are normally handled by a Herman Miller authorized dealer. Where this cannot be accomplished on a local level, service problems should be referred to the Customer Care Representative for your region, Herman Miller, Inc., Zeeland, Michigan 49464.

20-Day or Less/Assigned Lead-Time Shipments

All products and options in this price book not designated by an Assigned Program icon  will ship in **20 business days or less** after being acknowledged by Herman Miller.

Products and options designated by an  are on the assigned lead-time program and may ship in 20 days, less than 20 days, or more than 20 days from order acknowledgement.

Meridian® Storage Cases and Bookcases

Storage Cases

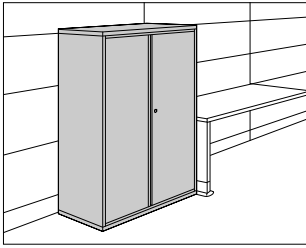
Bookcases

Standard-Pull Storage Case

46-30

46-36

46-42



Product Information

Description

This freestanding, lockable storage case has standard pulls, smooth or textured steel, and is available in 3 widths, 2 depths, and 9 heights. It has a metal, cushion, laminate, or veneer top. The case has hinged doors that open to 110° and various interior configurations. 5 base heights are available; all bases include adjustable glides.

Actual storage case widths are 29⁷/₈" , 35⁷/₈" , or 41⁷/₈" ; actual depths are 17⁷/₈" and 19⁷/₈" . The 4³/₄"-high mobile base has a 1¹/₂"-high base frame with 3¹/₄"-high outset casters. The 2 swivel and 2 fixed casters must be field installed.

Notes

Coat rod with shelf option (WC) available only for 66"- and 69"-high cases.

Coat rod with 3 shelves option (W) available only for 66"- and 69"-high cases with T2 top.

Mobile base (B9) option available only on 26"-, 29"-, 38"-, and 42"-high cases.

Dimensional illustrations do not include all possible configurations.

For cushion tops TC1 and TC2, a 1" metal top is included.

Cushion top accepts Customer's Own Material (COM). Yardage is estimated for nondirectional, 54"-wide fabrics. When ordering more than 1 cushion, round up total yardage requirement to next whole yard of fabric.

Width—Yardage

30"—1.05

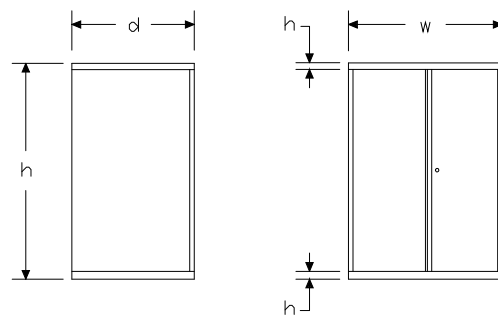
36"—1.22

42"—1.40

For information on multiple quantities or directional fabrics, contact COM Department. See Order Information in Appendices.

For keyed-alike locks, order lock plugs separately. See Keyed-Alike Information in Appendices.

Dimensions



Standard-Pull Storage Case *continued*

Specification Information

Step 1.

46-

Step 2. Width

30 30" wide
36 36" wide
42 42" wide

Step 3. Depth

18- 18" deep
20- 20" deep

Step 4. Case Height

26 23¹/₂" high
29 26¹/₄" high
38 35¹/₄" high
42 39³/₈" high
50 47" high
55 52¹/₂" high
63 60¹/₈" high
66 62⁷/₈" high
69 65⁵/₈" high

Prices for Steps 1-4.

		26	29	38	42	50	55	63
46-30	18-	\$522	552	604	645	733	766	796
	20-	\$522	552	604	645	733	766	796
46-36	18-	\$593	626	675	718	805	838	869
	20-	\$593	626	675	718	805	838	869
46-42	18-	\$678	710	761	803	890	923	954
	20-	\$678	710	761	803	890	923	954
				66	69			
46-30	18-					\$817	860	
	20-					\$817	860	
46-36	18-					\$890	931	
	20-					\$890	931	
46-42	18-					\$975	1014	
	20-					\$975	1014	

Step 5. Paint/Steel Type

SS smooth paint on smooth steel +\$0
TS smooth paint on textured steel +\$0
XS textured paint on smooth steel +\$0

Step 6. Surface Finish

For smooth paint on smooth steel (SS) or smooth paint on textured steel (TS)

Nonmetallic Paint +\$0
 Metallic Paint +\$75

Sand Texture Paint

For textured paint on smooth steel (XS)

7L dune +\$0
7M chai +\$0
7N grass +\$0
7U blue ridge +\$0
7V loden +\$0
7W napa +\$0
7Y sedona +\$0
7Z mink +\$0
8T gull +\$0
8Y moonbeam +\$0
B4 blue medium +\$0
ZK cappuccino +\$0

Bright Sand Texture Paint

For textured paint on smooth steel (XS)

91 white +\$0
CL cool grey neutral +\$0
G1 graphite +\$0
WN warm grey neutral +\$0

Step 7. Interior

Coat rod with three shelves (W) only available with 1¹/₄"-high painted metal top (T2).

For 23¹/₂" high (26), 26¹/₄" high (29), 35¹/₄" high (38), 39³/₈" high (42), 47" high (50), 52¹/₂" high (55), or 60¹/₈" high (63)

NS0 no interior option +\$0
NS1 1 shelf total +\$39
NS2 2 shelves total +\$78
NS3 3 shelves total +\$117
NS4 4 shelves total +\$156

Standard-Pull Storage Case *continued*

<i>For 62⁷/₈" high (66) or 65⁵/₈" high (69)</i>		
NS0	no interior option	+\$0
NS1	1 shelf total	+\$39
NS2	2 shelves total	+\$78
NS3	3 shelves total	+\$117
NS4	4 shelves total	+\$156
NS5	5 shelves total	+\$195
WC	coat rod with shelf	+\$89
W	coat rod with 3 shelves (only available with T2 top)	+\$197

Step 8. Lock/Doors		
DD	no lock, no doors	-\$74
KA	keyed alike, black	+\$0
KC	keyed differently, chrome	+\$0
KD	keyed differently, black	+\$0
KQ	keyed alike, chrome	+\$0

Step 9. Top		
NT	no top	+\$0
T1	1"-high painted metal top with squared edge	+\$0
T2	1 ¹ / ₄ "-high painted metal top with squared edge	+\$0
T6	1/32" security top	+\$0
T3	1 ¹ / ₄ "-high painted metal top with radius edge	+\$55
TL	1 ¹ / ₄ "-high laminate top with vinyl edge	+\$63
TR	1 ¹ / ₄ "-high recut veneer top A	+\$132
J3	1 ¹ / ₄ "-high cathedral recut veneer top A	+\$135
TF	1 ¹ / ₄ "-high wood veneer top A	+\$137
T7	6 ¹ / ₂ "-high planter top	+\$177
D1	6 ¹ / ₂ "-high full dome, side-to-side	+\$242
H1	6 ¹ / ₂ "-high half dome, sloping left	+\$242
H2	6 ¹ / ₂ "-high half dome, sloping right	+\$242
TV1	1 ¹ / ₈ "-high wood veneer top and wood composite edge with oversail front A	+\$284
TC1	1" cushion top	+\$350
TC2	2" cushion top	+\$350

Step 10.		
Top Finish: Solid-Color Laminate		
<i>For 1¹/₄"-high laminate top with vinyl edge (TL)</i>		
8Q	folkstone grey	+\$0
91	white	+\$0
CL	cool grey neutral	+\$0
HF	inner tone light	+\$0
HT	inner tone	+\$0
LT	light tone	+\$0
LU	soft white	+\$0
WL	sandstone	+\$0
WN	warm grey neutral	+\$0

Top Finish: Fiber Laminate		
<i>For 1¹/₄"-high laminate top with vinyl edge (TL)</i>		
1X	vanilla	+\$0
2X	wheat	+\$0
3X	celery	+\$0
4X	coriander	+\$0
5X	chamomile	+\$0
6X	cinnamon	+\$0
7X	cardamom	+\$0
8X	kale	+\$0

Top Finish: Frosted Laminate		
<i>For 1¹/₄"-high laminate top with vinyl edge (TL)</i>		
J4	frosted light grey	+\$0
J5	frosted inner tone light	+\$0
J6	frosted slate grey	+\$0
J7	frosted medium tone	+\$0
J8	frosted black	+\$0

Top Finish: Wood-Grain Laminate		
<i>For 1¹/₄"-high laminate top with vinyl edge (TL)</i>		
HM	natural maple	+\$0
HP	light anigre	+\$0
LA	light ash	+\$0
LM	mahogany	+\$0
76	light brown walnut	+\$33
HX	aged cherry	+\$33
HY	walnut on cherry	+\$33

Top Finish: Zephyr Laminate		
<i>For 1 1/4"-high laminate top with vinyl edge (TL)</i>		
D1	canyon	+\$0
DC	misted	+\$0
DF	twilight	+\$0
DQ	desert	+\$0

Veneer Top Finish		
<i>For 1 1/4"-high recut veneer top (TR)</i>		
RA	light ash <input type="checkbox"/>	+\$0
RK	mahogany dark <input type="checkbox"/>	+\$0
RM	mahogany <input type="checkbox"/>	+\$0

Veneer Top Finish		
<i>For 1 1/4"-high cathedral recut veneer top (J3)</i>		
DU	cathedral recut natural maple <input type="checkbox"/>	+\$0
HU	cathedral recut light anigre <input type="checkbox"/>	+\$0
JU	cathedral recut aged cherry <input type="checkbox"/>	+\$0
VU	cathedral recut light brown walnut <input type="checkbox"/>	+\$0
WU	cathedral recut walnut on cherry <input type="checkbox"/>	+\$0
XU	cathedral recut medium red cherry <input type="checkbox"/>	+\$0
ZU	cathedral recut chocolate brown sapele <input type="checkbox"/>	+\$0

Veneer Top Finish		
<i>For 1 1/4"-high wood veneer top (TF)</i>		
V3	cherry <input type="checkbox"/>	+\$21
Z3	warm red cherry <input type="checkbox"/>	+\$21
Z5	maple <input type="checkbox"/>	+\$21
2U	light brown walnut <input type="checkbox"/>	+\$28
3U	medium red cherry <input type="checkbox"/>	+\$28
6U	chocolate brown sapele <input type="checkbox"/>	+\$28
ED	aged cherry <input type="checkbox"/>	+\$28
EG	medium brown walnut <input type="checkbox"/>	+\$28
EK	medium red walnut <input type="checkbox"/>	+\$28
EY	light anigre <input type="checkbox"/>	+\$28
UL	natural maple <input type="checkbox"/>	+\$28
UQ	light cherry <input type="checkbox"/>	+\$28
UV	red cherry <input type="checkbox"/>	+\$28
UX	walnut on cherry <input type="checkbox"/>	+\$28

Veneer Top Finish		
<i>For 1 1/8"-high wood veneer top and wood composite edge with oversail front (TV1)</i>		
ED	aged cherry <input type="checkbox"/>	+\$28
EG	medium brown walnut <input type="checkbox"/>	+\$28
EK	medium red walnut <input type="checkbox"/>	+\$28
EY	light anigre <input type="checkbox"/>	+\$28
UL	natural maple <input type="checkbox"/>	+\$28
UQ	light cherry <input type="checkbox"/>	+\$28
UV	red cherry <input type="checkbox"/>	+\$28
UX	walnut on cherry <input type="checkbox"/>	+\$28

Step 11. Edge Finish		
<i>For 1 1/4"-high laminate top with vinyl edge (TL)</i>		
76	light brown walnut	+\$0
8Q	folkstone grey	+\$0
91	white	+\$0
BU	black umber	+\$0
CL	cool grey neutral	+\$0
CM	cinnamon	+\$0
CO	chamomile	+\$0
G2	graphite satin	+\$0
HF	inner tone light	+\$0
HM	natural maple	+\$0
HP	light anigre	+\$0
HT	inner tone	+\$0
HX	aged cherry	+\$0
HY	walnut on cherry	+\$0
LA	light ash	+\$0
LM	mahogany	+\$0
LU	soft white	+\$0
MT	medium tone	+\$0
SG	slate grey	+\$0
WA	wheat	+\$0
WL	sandstone	+\$0
WN	warm grey neutral	+\$0

Standard-Pull Storage Case *continued*

Step 12. Cushion Top Fabric

For 1" cushion top (TC1) or 2" cushion top (TC2)

See textiles list for fabric numbers. First 2 digits of number indicate fabric line; remaining digit(s) indicate fabric color.

Price Category 1	+\$0
Price Category 2	+\$55
Price Category 3	+\$67
Price Category 4	+\$82
Price Category 7	+\$137
Price Category 9	+\$950
Price Category B	+\$56
Price Category E	+\$139
Price Category G	+\$250
Price Category H	+\$333

Step 13. Base Height

For 23¹/₂" high (26), 26¹/₄" high (29), 35¹/₄" high (38), or 39³/₈" high (42)

B1	1"-high base	+\$0
B2	1 ¹ / ₂ "-high base	+\$0
B3	2 ¹ / ₄ "-high base	+\$0
B4	3 ¹ / ₄ "-high base	+\$0
BA	1"-high recessed base	+\$32
BB	1 ¹ / ₂ "-high recessed base	+\$32
BC	2 ¹ / ₄ "-high recessed base	+\$32
BD	3 ¹ / ₄ "-high recessed base	+\$32
B5	4 ¹ / ₄ "-high base	+\$32
B9	4 ³ / ₄ "-high mobile base	+\$270

For 47" high (50), 52¹/₂" high (55), 60¹/₈" high (63), 62⁷/₈" high (66), or 65⁵/₈" high (69)

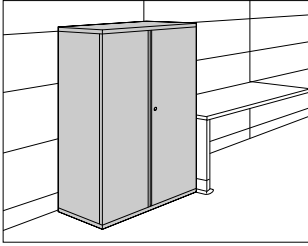
B1	1"-high base	+\$0
B2	1 ¹ / ₂ "-high base	+\$0
B3	2 ¹ / ₄ "-high base	+\$0
B4	3 ¹ / ₄ "-high base	+\$0
BA	1"-high recessed base	+\$32
BB	1 ¹ / ₂ "-high recessed base	+\$32
BC	2 ¹ / ₄ "-high recessed base	+\$32
BD	3 ¹ / ₄ "-high recessed base	+\$32
B5	4 ¹ / ₄ "-high base	+\$32

Bevel-Pull Storage Case

44-30

44-36

44-42



Product Information

Description

This freestanding, lockable storage case has bevel pulls, smooth or textured steel, and is available in 3 widths, 2 depths, and 9 heights. It has a metal, cushion, laminate, or veneer top. The case has hinged doors that open to 110° and various interior configurations. 5 base heights are available; all bases include adjustable glides.

Actual storage case widths are 29⁷/₈" , 35⁷/₈" , or 41⁷/₈" ; actual depths are 17⁷/₈" and 19⁷/₈" . The 4³/₄" -high mobile base has a 1¹/₂" -high base frame with 3¹/₄" -high outset casters. The 2 swivel and 2 fixed casters must be field installed.

Notes

Coat rod and shelf option (WC) available only for 66" - and 69" -high cases.

Coat rod with 3 shelves option (W) available only for 66" - and 69" -high cases with T2 top.

Mobile base (B9) option available only on 26" , 29" , 38" , and 42" -high cases.

Dimensional illustrations do not include all possible configurations.

For cushion tops TC1 and TC2, a 1" metal top is included.

Cushion top accepts Customer's Own Material (COM). Yardage is estimated for nondirectional, 54"-wide fabrics. When ordering more than 1 cushion, round up total yardage requirement to next whole yard of fabric.

Width—Yardage

30" —1.05

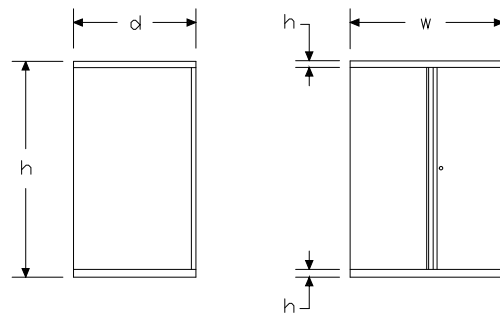
36" —1.22

42" —1.40

For information on multiple quantities or directional fabrics, contact COM Department. See Order Information in Appendices.

For keyed-alike locks, order lock plugs separately. See Keyed-Alike Information in Appendices.

Dimensions



Bevel-Pull Storage Case *continued*

Specification Information

Step 1.

44-

Step 2. Width

30 30" wide
36 36" wide
42 42" wide

Step 3. Depth

18- 18" deep
20- 20" deep

Step 4. Case Height

26 23½" high
29 26¼" high
38 35¼" high
42 39¾" high
50 47" high
55 52½" high
63 60⅛" high
66 62⅞" high
69 65⅝" high

Prices for Steps 1-4.

		26	29	38	42	50	55	63
44-30	18-	\$522	552	604	645	733	766	796
	20-	\$522	552	604	645	733	766	796
44-36	18-	\$593	626	675	718	805	838	869
	20-	\$593	626	675	718	805	838	869
44-42	18-	\$678	710	761	803	890	923	954
	20-	\$678	710	761	803	890	923	954
						66	69	
44-30	18-					\$817		860
	20-					\$817		860
44-36	18-					\$890		931
	20-					\$890		931
44-42	18-					\$975		1014
	20-					\$975		1014

Step 5. Paint/Steel Type		
SS	smooth paint on smooth steel	+\$0
TS	smooth paint on textured steel	+\$0
XS	textured paint on smooth steel	+\$0

Step 6. Surface Finish		
<i>For smooth paint on smooth steel (SS) or smooth paint on textured steel (TS)</i>		
	Nonmetallic Paint	+\$0
	Metallic Paint	+\$75

Sand Texture Paint		
<i>For textured paint on smooth steel (XS)</i>		
7L	dune	+\$0
7M	chai	+\$0
7N	grass	+\$0
7U	blue ridge	+\$0
7V	loden	+\$0
7W	napa	+\$0
7Y	sedona	+\$0
7Z	mink	+\$0
8T	gull	+\$0
8Y	moonbeam	+\$0
B4	blue medium	+\$0
ZK	cappuccino	+\$0

Bright Sand Texture Paint		
<i>For textured paint on smooth steel (XS)</i>		
91	white	+\$0
CL	cool grey neutral	+\$0
G1	graphite	+\$0
WN	warm grey neutral	+\$0

Step 7. Interior		
<i>Coat rod with three shelves (W) only available with 1¼"-high painted metal top (T2).</i>		

<i>For 23½" high (26), 26¼" high (29), 35¼" high (38), 39¾" high (42), 47" high (50), 52½" high (55), or 60⅛" high (63)</i>		
NS0	no interior option	+\$0
NS1	1 shelf total	+\$39
NS2	2 shelves total	+\$78
NS3	3 shelves total	+\$117
NS4	4 shelves total	+\$156

Bevel-Pull Storage Case *continued*

For 62⁷/₈" high (66) or 65⁵/₈" high (69)

NS0	no interior option	+\$0
NS1	1 shelf total	+\$39
NS2	2 shelves total	+\$78
NS3	3 shelves total	+\$117
NS4	4 shelves total	+\$156
NS5	5 shelves total	+\$195
WC	coat rod with shelf	+\$89
W	coat rod with 3 shelves (only available with T2 top)	+\$197

Step 8. Lock

KA	keyed alike, black	+\$0
KC	keyed differently, chrome	+\$0
KD	keyed differently, black	+\$0
KQ	keyed alike, chrome	+\$0

Step 9. Top

NT	no top	+\$0
T1	1"-high painted metal top with squared edge	+\$0
T2	1 ¹ / ₄ "-high painted metal top with squared edge	+\$0
T6	1 ¹ / ₃₂ " security top	+\$0
T3	1 ¹ / ₄ "-high painted metal top with radius edge	+\$55
TL	1 ¹ / ₄ "-high laminate top with vinyl edge	+\$63
TR	1 ¹ / ₄ "-high recut veneer top A	+\$132
J3	1 ¹ / ₄ "-high cathedral recut veneer top A	+\$135
TF	1 ¹ / ₄ "-high wood veneer top A	+\$137
T7	6 ¹ / ₂ "-high planter top	+\$177
D1	6 ¹ / ₂ "-high full dome, side-to-side	+\$242
H1	6 ¹ / ₂ "-high half dome, sloping left	+\$242
H2	6 ¹ / ₂ "-high half dome, sloping right	+\$242
TV1	1 ¹ / ₈ "-high wood veneer top and wood composite edge with oversail front A	+\$284
TC1	1" cushion top	+\$350
TC2	2" cushion top	+\$350

Step 10.

Top Finish: Solid-Color Laminate

For 1¹/₄"-high laminate top with vinyl edge (TL)

8Q	folkstone grey	+\$0
91	white	+\$0
CL	cool grey neutral	+\$0
HF	inner tone light	+\$0
HT	inner tone	+\$0
LT	light tone	+\$0
LU	soft white	+\$0
WL	sandstone	+\$0
WN	warm grey neutral	+\$0

Top Finish: Fiber Laminate

For 1¹/₄"-high laminate top with vinyl edge (TL)

1X	vanilla	+\$0
2X	wheat	+\$0
3X	celery	+\$0
4X	coriander	+\$0
5X	chamomile	+\$0
6X	cinnamon	+\$0
7X	cardamom	+\$0
8X	kale	+\$0

Top Finish: Frosted Laminate

For 1¹/₄"-high laminate top with vinyl edge (TL)

J4	frosted light grey	+\$0
J5	frosted inner tone light	+\$0
J6	frosted slate grey	+\$0
J7	frosted medium tone	+\$0
J8	frosted black	+\$0

Top Finish: Wood-Grain Laminate

For 1¹/₄"-high laminate top with vinyl edge (TL)

HM	natural maple	+\$0
HP	light anigre	+\$0
LA	light ash	+\$0
LM	mahogany	+\$0
76	light brown walnut	+\$33
HX	aged cherry	+\$33
HY	walnut on cherry	+\$33

Bevel-Pull Storage Case *continued*

Top Finish: Zephyr Laminate

For 1 1/4"-high laminate top with vinyl edge (TL)

D1	canyon	+\$0
DC	misted	+\$0
DF	twilight	+\$0
DQ	desert	+\$0

Veneer Top Finish

For 1 1/4"-high recut veneer top (TR)

RA	light ash <input type="checkbox"/>	+\$0
RK	mahogany dark <input type="checkbox"/>	+\$0
RM	mahogany <input type="checkbox"/>	+\$0

Veneer Top Finish

For 1 1/4"-high cathedral recut veneer top (J3)

DU	cathedral recut natural maple <input type="checkbox"/>	+\$0
HU	cathedral recut light anigre <input type="checkbox"/>	+\$0
JU	cathedral recut aged cherry <input type="checkbox"/>	+\$0
VU	cathedral recut light brown walnut <input type="checkbox"/>	+\$0
WU	cathedral recut walnut on cherry <input type="checkbox"/>	+\$0
XU	cathedral recut medium red cherry <input type="checkbox"/>	+\$0
ZU	cathedral recut chocolate brown sapele <input type="checkbox"/>	+\$0

Veneer Top Finish

For 1 1/4"-high wood veneer top (TF)

V3	cherry <input type="checkbox"/>	+\$21
Z3	warm red cherry <input type="checkbox"/>	+\$21
Z5	maple <input type="checkbox"/>	+\$21
2U	light brown walnut <input type="checkbox"/>	+\$28
3U	medium red cherry <input type="checkbox"/>	+\$28
6U	chocolate brown sapele <input type="checkbox"/>	+\$28
ED	aged cherry <input type="checkbox"/>	+\$28
EG	medium brown walnut <input type="checkbox"/>	+\$28
EK	medium red walnut <input type="checkbox"/>	+\$28
EY	light anigre <input type="checkbox"/>	+\$28
UL	natural maple <input type="checkbox"/>	+\$28
UQ	light cherry <input type="checkbox"/>	+\$28
UV	red cherry <input type="checkbox"/>	+\$28
UX	walnut on cherry <input type="checkbox"/>	+\$28

Veneer Top Finish

For 1 1/8"-high wood veneer top and wood composite edge with oversail front (TV1)

ED	aged cherry <input type="checkbox"/>	+\$28
EG	medium brown walnut <input type="checkbox"/>	+\$28
EK	medium red walnut <input type="checkbox"/>	+\$28
EY	light anigre <input type="checkbox"/>	+\$28
UL	natural maple <input type="checkbox"/>	+\$28
UQ	light cherry <input type="checkbox"/>	+\$28
UV	red cherry <input type="checkbox"/>	+\$28
UX	walnut on cherry <input type="checkbox"/>	+\$28

Step 11. Edge Finish

For 1 1/4"-high laminate top with vinyl edge (TL)

76	light brown walnut	+\$0
8Q	folkstone grey	+\$0
91	white	+\$0
BU	black umber	+\$0
CL	cool grey neutral	+\$0
CM	cinnamon	+\$0
CO	chamomile	+\$0
G2	graphite satin	+\$0
HF	inner tone light	+\$0
HM	natural maple	+\$0
HP	light anigre	+\$0
HT	inner tone	+\$0
HX	aged cherry	+\$0
HY	walnut on cherry	+\$0
LA	light ash	+\$0
LM	mahogany	+\$0
LU	soft white	+\$0
MT	medium tone	+\$0
SG	slate grey	+\$0
WA	wheat	+\$0
WL	sandstone	+\$0
WN	warm grey neutral	+\$0

Bevel-Pull Storage Case *continued*

Step 12. Cushion Top Fabric

For 1" cushion top (TC1) or 2" cushion top (TC2)

See textiles list for fabric numbers. First 2 digits of number indicate fabric line; remaining digit(s) indicate fabric color.

Price Category 1	+\$0
Price Category 2	+\$55
Price Category 3	+\$67
Price Category 4	+\$82
Price Category 7	+\$137
Price Category 9	+\$950
Price Category B	+\$56
Price Category E	+\$139
Price Category G	+\$250
Price Category H	+\$333

Step 13. Base Height

For 23¹/₂" high (26), 26¹/₄" high (29), 35¹/₄" high (38), or 39³/₈" high (42)

B1	1"-high base	+\$0
B2	1 ¹ / ₂ "-high base	+\$0
B3	2 ¹ / ₄ "-high base	+\$0
B4	3 ¹ / ₄ "-high base	+\$0
BA	1"-high recessed base	+\$32
BB	1 ¹ / ₂ "-high recessed base	+\$32
BC	2 ¹ / ₄ "-high recessed base	+\$32
BD	3 ¹ / ₄ "-high recessed base	+\$32
B5	4 ¹ / ₄ "-high base	+\$32
B9	4 ³ / ₄ "-high mobile base	+\$270

For 47" high (50), 52¹/₂" high (55), 60¹/₈" high (63), 62⁷/₈" high (66), or 65⁵/₈" high (69)

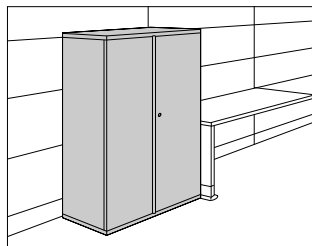
B1	1"-high base	+\$0
B2	1 ¹ / ₂ "-high base	+\$0
B3	2 ¹ / ₄ "-high base	+\$0
B4	3 ¹ / ₄ "-high base	+\$0
BA	1"-high recessed base	+\$32
BB	1 ¹ / ₂ "-high recessed base	+\$32
BC	2 ¹ / ₄ "-high recessed base	+\$32
BD	3 ¹ / ₄ "-high recessed base	+\$32
B5	4 ¹ / ₄ "-high base	+\$32

Contour-Pull Storage Case

45-30

45-36

45-42



Product Information

Description

This freestanding, lockable storage case has stained wood or painted aluminum contour pulls and smooth or textured steel. It is available in 3 widths, 2 depths, and 9 heights. The case has a metal, cushion, laminate, or veneer top. It has hinged doors that open to 110° and various interior configurations. 5 base heights are available; all bases include adjustable glides.

Actual storage case widths are 29⁷/₈" , 35⁷/₈" , or 41⁷/₈" ; actual depths are 17⁷/₈" and 19⁷/₈" . The 4³/₄"-high mobile base has a 1¹/₂"-high base frame with 3¹/₄"-high outset casters. The 2 swivel and 2 fixed casters must be field installed.

Notes

Coat rod and shelf option (WC) available only for 66"- and 69"-high cases.

Coat rod with 3 shelves option (W) available only for 66"- and 69"-high cases with T2 top.

Mobile base (B9) option available only on 26", 29", 38", and 42"-high cases.

Dimensional illustrations do not include all possible configurations.

For cushion tops TC1 and TC2, a 1" metal top is included.

Cushion top accepts Customer's Own Material (COM). Yardage is estimated for nondirectional, 54"-wide fabrics. When ordering more than 1 cushion, round up total yardage requirement to next whole yard of fabric.

Width—Yardage

30" — 1.05

36" — 1.22

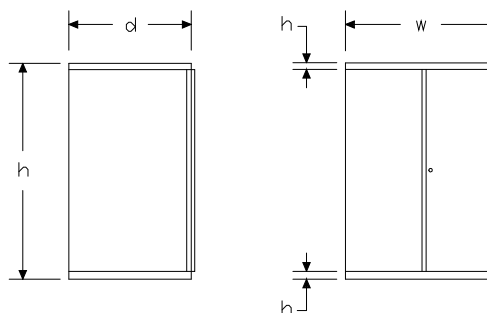
42" — 1.40

For information on multiple quantities or directional fabrics, contact

COM Department. See Order Information in Appendices.

For keyed-alike locks, order lock plugs separately. See Keyed-Alike Information in Appendices.

Dimensions



Contour-Pull Storage Case *continued*

Specification Information

Step 1.

45-

Step 2. Width

30 30" wide
36 36" wide
42 42" wide

Step 3. Depth

18- 18" deep
20- 20" deep

Step 4. Case Height

26 23¹/₂" high
29 26¹/₄" high
38 35¹/₄" high
42 39³/₈" high
50 47" high
55 52¹/₂" high
63 60¹/₈" high
66 62⁷/₈" high
69 65⁵/₈" high

Prices for Steps 1-4.

		26	29	38	42	50	55	63
45-30	18-	\$593	618	688	757	856	895	936
	20-	\$593	618	688	757	856	895	936
45-36	18-	\$673	698	768	836	934	975	1014
	20-	\$673	698	768	836	934	975	1014
45-42	18-	\$756	782	847	915	1010	1051	1092
	20-	\$756	782	847	915	1010	1051	1092
				66	69			
45-30	18-					\$1012	1047	
	20-					\$1012	1047	
45-36	18-					\$1094	1126	
	20-					\$1094	1126	
45-42	18-					\$1169	1203	
	20-					\$1169	1203	

Step 5. Paint/Steel Type

SS smooth paint on smooth steel +\$0
TS smooth paint on textured steel +\$0
XS textured paint on smooth steel +\$0

Step 6. Surface Finish

For smooth paint on smooth steel (SS) or smooth paint on textured steel (TS)

Nonmetallic Paint +\$0
 Metallic Paint +\$75

Sand Texture Paint

For textured paint on smooth steel (XS)

7L dune +\$0
7M chai +\$0
7N grass +\$0
7U blue ridge +\$0
7V loden +\$0
7W napa +\$0
7Y sedona +\$0
7Z mink +\$0
8T gull +\$0
8Y moonbeam +\$0
B4 blue medium +\$0
ZK cappuccino +\$0

Bright Sand Texture Paint

For textured paint on smooth steel (XS)

91 white +\$0
CL cool grey neutral +\$0
G1 graphite +\$0
WN warm grey neutral +\$0

Step 7. Pull Type

1P smooth paint +\$0
1T textured paint +\$0
1S stained +\$0

Step 8. Pull Finish

For smooth paint (1P)

Nonmetallic Paint +\$0
 Metallic Paint +\$5

Sand Texture Paint		
<i>For textured paint (1T)</i>		
7L	dune	+\$0
7M	chai	+\$0
7N	grass	+\$0
7U	blue ridge	+\$0
7V	loden	+\$0
7W	napa	+\$0
7Y	sedona	+\$0
7Z	mink	+\$0
8T	gull	+\$0
8Y	moonbeam	+\$0
B4	blue medium	+\$0
ZK	cappuccino	+\$0

Bright Sand Texture Paint		
<i>For textured paint (1T)</i>		
91	white	+\$0
CL	cool grey neutral	+\$0
G1	graphite	+\$0
WN	warm grey neutral	+\$0

Recut Finish		
<i>For stained (1S)</i>		
RA	light ash A	+\$0
RK	mahogany dark A	+\$0
RM	mahogany A	+\$0

Wood Finish		
<i>For stained (1S)</i>		
V3	cherry A	+\$12
Z3	warm red cherry A	+\$12
Z5	maple A	+\$12
ED	aged cherry A	+\$16
EG	medium brown walnut A	+\$16
EK	medium red walnut A	+\$16
EY	light anigre A	+\$16
UL	natural maple A	+\$16
UQ	light cherry A	+\$16
UV	red cherry A	+\$16
UX	walnut on cherry A	+\$16

Step 9. Interior
Coat rod with three shelves (W) only available with 1¼"-high painted metal top (T2).

<i>For 23½" high (26), 26¼" high (29), 35¼" high (38), 39¾" high (42), 47" high (50), 52½" high (55), or 60½" high (63)</i>		
NS0	no interior option	+\$0
NS1	1 shelf total	+\$39
NS2	2 shelves total	+\$78
NS3	3 shelves total	+\$117
NS4	4 shelves total	+\$156

<i>For 62⅞" high (66) or 65⅝" high (69)</i>		
NS0	no interior option	+\$0
NS1	1 shelf total	+\$39
NS2	2 shelves total	+\$78
NS3	3 shelves total	+\$117
NS4	4 shelves total	+\$156
NS5	5 shelves total	+\$195
WC	coat rod with shelf	+\$89
W	coat rod with 3 shelves (only available with T2 top)	+\$197

Step 10. Lock		
KA	keyed alike, black	+\$0
KC	keyed differently, chrome	+\$0
KD	keyed differently, black	+\$0
KQ	keyed alike, chrome	+\$0

Step 11. Top		
NT	no top	+\$0
T1	1"-high painted metal top with squared edge	+\$0
T2	1¼"-high painted metal top with squared edge	+\$0
T6	⅓₂" security top	+\$0
T3	1¼"-high painted metal top with radius edge	+\$55
TL	1¼"-high laminate top with vinyl edge	+\$63
TR	1¼"-high recut veneer top A	+\$132
J3	1¼"-high cathedral recut veneer top A	+\$135
TF	1¼"-high wood veneer top A	+\$137
T7	6½"-high planter top	+\$177
D1	6½"-high full dome, side-to-side	+\$242
H1	6½"-high half dome, sloping left	+\$242
H2	6½"-high half dome, sloping right	+\$242
TV1	1⅞"-high wood veneer top and wood composite edge with oversail front A	+\$284
TC1	1" cushion top	+\$350
TC2	2" cushion top	+\$350

Contour-Pull Storage Case *continued*

Step 12.

Top Finish: Solid-Color Laminate

For 1 1/4"-high laminate top with vinyl edge (TL)

8Q	folkstone grey	+\$0
91	white	+\$0
CL	cool grey neutral	+\$0
HF	inner tone light	+\$0
HT	inner tone	+\$0
LT	light tone	+\$0
LU	soft white	+\$0
WL	sandstone	+\$0
WN	warm grey neutral	+\$0

Top Finish: Fiber Laminate

For 1 1/4"-high laminate top with vinyl edge (TL)

1X	vanilla	+\$0
2X	wheat	+\$0
3X	celery	+\$0
4X	coriander	+\$0
5X	chamomile	+\$0
6X	cinnamon	+\$0
7X	cardamom	+\$0
8X	kale	+\$0

Top Finish: Frosted Laminate

For 1 1/4"-high laminate top with vinyl edge (TL)

J4	frosted light grey	+\$0
J5	frosted inner tone light	+\$0
J6	frosted slate grey	+\$0
J7	frosted medium tone	+\$0
J8	frosted black	+\$0

Top Finish: Wood-Grain Laminate

For 1 1/4"-high laminate top with vinyl edge (TL)

HM	natural maple	+\$0
HP	light anigre	+\$0
LA	light ash	+\$0
LM	mahogany	+\$0
76	light brown walnut	+\$33
HX	aged cherry	+\$33
HY	walnut on cherry	+\$33

Top Finish: Zephyr Laminate

For 1 1/4"-high laminate top with vinyl edge (TL)

D1	canyon	+\$0
DC	misted	+\$0
DF	twilight	+\$0
DQ	desert	+\$0

Veneer Top Finish

For 1 1/4"-high recut veneer top (TR)

RA	light ash <input type="checkbox"/>	+\$0
RK	mahogany dark <input type="checkbox"/>	+\$0
RM	mahogany <input type="checkbox"/>	+\$0

Veneer Top Finish

For 1 1/4"-high cathedral recut veneer top (J3)

DU	cathedral recut natural maple <input type="checkbox"/>	+\$0
HU	cathedral recut light anigre <input type="checkbox"/>	+\$0
JU	cathedral recut aged cherry <input type="checkbox"/>	+\$0
VU	cathedral recut light brown walnut <input type="checkbox"/>	+\$0
WU	cathedral recut walnut on cherry <input type="checkbox"/>	+\$0
XU	cathedral recut medium red cherry <input type="checkbox"/>	+\$0
ZU	cathedral recut chocolate brown sapele <input type="checkbox"/>	+\$0

Veneer Top Finish

For 1 1/4"-high wood veneer top (TF)

V3	cherry <input type="checkbox"/>	+\$21
Z3	warm red cherry <input type="checkbox"/>	+\$21
Z5	maple <input type="checkbox"/>	+\$21
2U	light brown walnut <input type="checkbox"/>	+\$28
3U	medium red cherry <input type="checkbox"/>	+\$28
6U	chocolate brown sapele <input type="checkbox"/>	+\$28
ED	aged cherry <input type="checkbox"/>	+\$28
EG	medium brown walnut <input type="checkbox"/>	+\$28
EK	medium red walnut <input type="checkbox"/>	+\$28
EY	light anigre <input type="checkbox"/>	+\$28
UL	natural maple <input type="checkbox"/>	+\$28
UQ	light cherry <input type="checkbox"/>	+\$28
UV	red cherry <input type="checkbox"/>	+\$28
UX	walnut on cherry <input type="checkbox"/>	+\$28

Veneer Top Finish

For 1¹/₈"-high wood veneer top and wood composite edge with oversail front (TV1)

ED	aged cherry <input type="checkbox"/> A	+\$28
EG	medium brown walnut <input type="checkbox"/> A	+\$28
EK	medium red walnut <input type="checkbox"/> A	+\$28
EY	light anigre <input type="checkbox"/> A	+\$28
UL	natural maple <input type="checkbox"/> A	+\$28
UQ	light cherry <input type="checkbox"/> A	+\$28
UV	red cherry <input type="checkbox"/> A	+\$28
UX	walnut on cherry <input type="checkbox"/> A	+\$28

Step 13. Edge Finish

For 1¹/₄"-high laminate top with vinyl edge (TL)

76	light brown walnut	+\$0
8Q	folkstone grey	+\$0
91	white	+\$0
BU	black umber	+\$0
CL	cool grey neutral	+\$0
CM	cinnamon	+\$0
CO	chamomile	+\$0
G2	graphite satin	+\$0
HF	inner tone light	+\$0
HM	natural maple	+\$0
HP	light anigre	+\$0
HT	inner tone	+\$0
HX	aged cherry	+\$0
HY	walnut on cherry	+\$0
LA	light ash	+\$0
LM	mahogany	+\$0
LU	soft white	+\$0
MT	medium tone	+\$0
SG	slate grey	+\$0
WA	wheat	+\$0
WL	sandstone	+\$0
WN	warm grey neutral	+\$0

Step 14. Cushion Top Fabric

For 1" cushion top (TC1) or 2" cushion top (TC2)

See textiles list for fabric numbers. First 2 digits of number indicate fabric line; remaining digit(s) indicate fabric color.

Price Category 1	+\$0
Price Category 2	+\$55
Price Category 3	+\$67
Price Category 4	+\$82
Price Category 7	+\$137
Price Category 9	+\$950
Price Category B	+\$56
Price Category E	+\$139
Price Category G	+\$250
Price Category H	+\$333

Step 15. Base Height

For 23¹/₂" high (26), 26¹/₄" high (29), 35¹/₄" high (38), or 39³/₈" high (42)

B1	1"-high base	+\$0
B2	1 ¹ / ₂ "-high base	+\$0
B3	2 ¹ / ₄ "-high base	+\$0
B4	3 ¹ / ₄ "-high base	+\$0
BA	1"-high recessed base	+\$32
BB	1 ¹ / ₂ "-high recessed base	+\$32
BC	2 ¹ / ₄ "-high recessed base	+\$32
BD	3 ¹ / ₄ "-high recessed base	+\$32
B5	4 ¹ / ₄ "-high base	+\$32
B9	4 ³ / ₄ "-high mobile base	+\$270

For 47" high (50), 52¹/₂" high (55), 60¹/₈" high (63), 62⁷/₈" high (66), or 65⁵/₈" high (69)

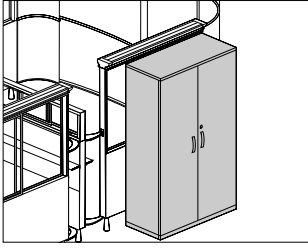
B1	1"-high base	+\$0
B2	1 ¹ / ₂ "-high base	+\$0
B3	2 ¹ / ₄ "-high base	+\$0
B4	3 ¹ / ₄ "-high base	+\$0
BA	1"-high recessed base	+\$32
BB	1 ¹ / ₂ "-high recessed base	+\$32
BC	2 ¹ / ₄ "-high recessed base	+\$32
BD	3 ¹ / ₄ "-high recessed base	+\$32
B5	4 ¹ / ₄ "-high base	+\$32

Ellipse-Pull Storage Case

4J-30

4J-36

4J-42



Product Information

Description

This freestanding, lockable storage case has ellipse pulls, smooth steel, and is available in 3 widths, 2 depths, and 9 heights. It has a metal, cushion, laminate, or veneer top. The case has hinged doors that open to 110° and various interior configurations. 5 base heights are available; all bases include adjustable glides.

Actual storage case widths are 29⁷/₈" , 35⁷/₈" , or 41⁷/₈" ; actual depths are 17⁷/₈" and 19⁷/₈" . The 4³/₄" -high mobile base has a 1¹/₂" -high base frame with 3¹/₄" -high outset casters. The 2 swivel and 2 fixed casters must be field installed.

Notes

Coat rod and shelf option (WC) available only for 66" - and 69" -high cases.

Coat rod with 3 shelves option (W) available only for 66" - and 69" -high cases with T2 top.

Mobile base (B9) option available only on 26" , 29" , 38" , and 42" -high cases.

Dimensional illustrations do not include all possible configurations.

For cushion tops TC1 and TC2, a 1" metal top is included.

Cushion top accepts Customer's Own Material (COM). Yardage is estimated for nondirectional, 54"-wide fabrics. When ordering more than 1 cushion, round up total yardage requirement to next whole yard of fabric.

Width—Yardage

30" —1.05

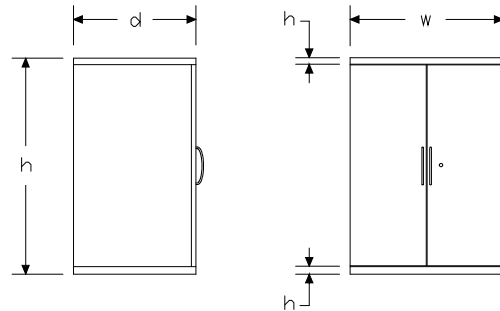
36" —1.22

42" —1.40

For information on multiple quantities or directional fabrics, contact COM Department. See Order Information in Appendices.

For keyed-alike locks, order lock plugs separately. See Keyed-Alike Information in Appendices.

Dimensions



Specification Information

Step 1.

4J- A

Step 2. Width

30 30" wide A

36 36" wide A

42 42" wide A

Step 3. Depth

18- 18" deep A

20- 20" deep A

Step 4. Case Height

26 23½" high A

29 26¼" high A

38 35¼" high A

42 39⅜" high A

50 47" high A

55 52½" high A

63 60⅛" high A

66 62⅞" high A

69 65⅝" high A

Prices for Steps 1-4.

		26	29	38	42	50	55	63
4J-30	18-	\$572	607	664	710	806	843	876
	20-	\$572	607	664	710	806	843	876
4J-36	18-	\$653	688	744	790	886	922	955
	20-	\$653	688	744	790	886	922	955
4J-42	18-	\$746	782	836	883	979	1014	1050
	20-	\$746	782	836	883	979	1014	1050
						66	69	
4J-30	18-					\$898		945
	20-					\$898		945
4J-36	18-					\$979		1025
	20-					\$979		1025
4J-42	18-					\$1073		1115
	20-					\$1073		1115

Step 5. Paint/Steel Type

SS smooth paint on smooth steel A +\$0

TS smooth paint on textured steel A +\$0

XS textured paint on smooth steel A +\$0

Step 6. Surface Finish

For smooth paint on smooth steel (SS) or smooth paint on textured steel (TS)

Nonmetallic Paint +\$0

Metallic Paint +\$75

Sand Texture Paint

For textured paint on smooth steel (XS)

7L dune A +\$0

7M chai A +\$0

7N grass A +\$0

7U blue ridge A +\$0

7V loden A +\$0

7W napa A +\$0

7Y sedona A +\$0

7Z mink A +\$0

8T gull A +\$0

8Y moonbeam A +\$0

B4 blue medium A +\$0

ZK cappuccino A +\$0

Bright Sand Texture Paint

For textured paint on smooth steel (XS)

91 white A +\$0

CL cool grey neutral A +\$0

G1 graphite A +\$0

WN warm grey neutral A +\$0

Step 7. Interior

Coat rod with three shelves (W) only available with 1¼"-high painted metal top (T2).

For 23½" high (26), 26¼" high (29), 35¼" high (38), 39⅜" high (42), 47" high (50), 52½" high (55), or 60⅛" high (63)

NS0 no interior option A +\$0

NS1 1 shelf total A +\$39

NS2 2 shelves total A +\$78

NS3 3 shelves total A +\$117

NS4 4 shelves total A +\$156

For 62⁷/₈" high (66) or 65⁵/₈" high (69)

NS0	no interior option <input type="checkbox"/>	+\$0
NS1	1 shelf total <input type="checkbox"/>	+\$39
NS2	2 shelves total <input type="checkbox"/>	+\$78
NS3	3 shelves total <input type="checkbox"/>	+\$117
NS4	4 shelves total <input type="checkbox"/>	+\$156
NS5	5 shelves total <input type="checkbox"/>	+\$195
WC	coat rod with shelf <input type="checkbox"/>	+\$89
W	coat rod with 3 shelves (only available with T2 top) <input type="checkbox"/>	+\$197

Step 8. Lock

KA	keyed alike <input type="checkbox"/>	+\$0
KC	keyed differently, chrome <input type="checkbox"/>	+\$0
KD	keyed differently, black <input type="checkbox"/>	+\$0

Step 9. Top

NT	no top <input type="checkbox"/>	+\$0
T1	1"-high painted metal top with squared edge <input type="checkbox"/>	+\$0
T2	1 ¹ / ₄ "-high painted metal top with squared edge <input type="checkbox"/>	+\$0
T6	1 ¹ / ₃₂ " security top <input type="checkbox"/>	+\$0
T3	1 ¹ / ₄ "-high painted metal top with radius edge <input type="checkbox"/>	+\$55
TL	1 ¹ / ₄ "-high laminate top with vinyl edge <input type="checkbox"/>	+\$63
TR	1 ¹ / ₄ "-high recut veneer top <input type="checkbox"/>	+\$132
J3	1 ¹ / ₄ "-high cathedral recut veneer top <input type="checkbox"/>	+\$135
TF	1 ¹ / ₄ "-high wood veneer top <input type="checkbox"/>	+\$137
T7	6 ¹ / ₂ "-high planter top <input type="checkbox"/>	+\$177
D1	6 ¹ / ₂ "-high full dome, side-to-side <input type="checkbox"/>	+\$242
H1	6 ¹ / ₂ "-high half dome, sloping left <input type="checkbox"/>	+\$242
H2	6 ¹ / ₂ "-high half dome, sloping right <input type="checkbox"/>	+\$242
TV1	1 ¹ / ₈ "-high wood veneer top and wood composite edge with oversail front <input type="checkbox"/>	+\$284
TC1	1" cushion top <input type="checkbox"/>	+\$350
TC2	2" cushion top <input type="checkbox"/>	+\$350

Step 10.

Top Finish: Solid-Color Laminate

For 1¹/₄"-high laminate top with vinyl edge (TL)

8Q	folkstone grey <input type="checkbox"/>	+\$0
91	white <input type="checkbox"/>	+\$0
CL	cool grey neutral <input type="checkbox"/>	+\$0
HF	inner tone light <input type="checkbox"/>	+\$0
HT	inner tone <input type="checkbox"/>	+\$0
LT	light tone <input type="checkbox"/>	+\$0
LU	soft white <input type="checkbox"/>	+\$0
WL	sandstone <input type="checkbox"/>	+\$0
WN	warm grey neutral <input type="checkbox"/>	+\$0

Top Finish: Fiber Laminate

For 1¹/₄"-high laminate top with vinyl edge (TL)

1X	vanilla <input type="checkbox"/>	+\$0
2X	wheat <input type="checkbox"/>	+\$0
3X	celery <input type="checkbox"/>	+\$0
4X	coriander <input type="checkbox"/>	+\$0
5X	chamomile <input type="checkbox"/>	+\$0
6X	cinnamon <input type="checkbox"/>	+\$0
7X	cardamom <input type="checkbox"/>	+\$0
8X	kale <input type="checkbox"/>	+\$0

Top Finish: Frosted Laminate

For 1¹/₄"-high laminate top with vinyl edge (TL)

J4	frosted light grey <input type="checkbox"/>	+\$0
J5	frosted inner tone light <input type="checkbox"/>	+\$0
J6	frosted slate grey <input type="checkbox"/>	+\$0
J7	frosted medium tone <input type="checkbox"/>	+\$0
J8	frosted black <input type="checkbox"/>	+\$0

Top Finish: Wood-Grain Laminate

For 1¹/₄"-high laminate top with vinyl edge (TL)

HM	natural maple <input type="checkbox"/>	+\$0
HP	light anigre <input type="checkbox"/>	+\$0
LA	light ash <input type="checkbox"/>	+\$0
LM	mahogany <input type="checkbox"/>	+\$0
76	light brown walnut <input type="checkbox"/>	+\$33
HX	aged cherry <input type="checkbox"/>	+\$33
HY	walnut on cherry <input type="checkbox"/>	+\$33

Top Finish: Zephyr Laminate		
<i>For 1¼"-high laminate top with vinyl edge (TL)</i>		
D1	canyon <input type="checkbox"/>	+\$0
DC	misted <input type="checkbox"/>	+\$0
DF	twilight <input type="checkbox"/>	+\$0
DQ	desert <input type="checkbox"/>	+\$0

Veneer Top Finish: Recut Veneer		
<i>For 1¼"-high recut veneer top (TR)</i>		
RA	light ash <input type="checkbox"/>	+\$0
RK	mahogany dark <input type="checkbox"/>	+\$0
RM	mahogany <input type="checkbox"/>	+\$0

Veneer Top Finish: Recut Veneer		
<i>For 1¼"-high cathedral recut veneer top (J3)</i>		
DU	cathedral recut natural maple <input type="checkbox"/>	+\$0
HU	cathedral recut light anigre <input type="checkbox"/>	+\$0
JU	cathedral recut aged cherry <input type="checkbox"/>	+\$0
VU	cathedral recut light brown walnut <input type="checkbox"/>	+\$0
WU	cathedral recut walnut on cherry <input type="checkbox"/>	+\$0
XU	cathedral recut medium red cherry <input type="checkbox"/>	+\$0
ZU	cathedral recut chocolate brown sapele <input type="checkbox"/>	+\$0

Veneer Top Finish: Wood Veneer		
<i>For 1¼"-high wood veneer top (TF)</i>		
V3	cherry <input type="checkbox"/>	+\$21
Z3	warm red cherry <input type="checkbox"/>	+\$21
Z5	maple <input type="checkbox"/>	+\$21
2U	light brown walnut <input type="checkbox"/>	+\$28
3U	medium red cherry <input type="checkbox"/>	+\$28
6U	chocolate brown sapele <input type="checkbox"/>	+\$28
ED	aged cherry <input type="checkbox"/>	+\$28
EG	medium brown walnut <input type="checkbox"/>	+\$28
EK	medium red walnut <input type="checkbox"/>	+\$28
EY	light anigre <input type="checkbox"/>	+\$28
UL	natural maple <input type="checkbox"/>	+\$28
UQ	light cherry <input type="checkbox"/>	+\$28
UV	red cherry <input type="checkbox"/>	+\$28
UX	walnut on cherry <input type="checkbox"/>	+\$28

Veneer Top Finish: Wood Veneer		
<i>For 1⅛"-high wood veneer top and wood composite edge with oversail front (TV1)</i>		
ED	aged cherry <input type="checkbox"/>	+\$28
EG	medium brown walnut <input type="checkbox"/>	+\$28
EK	medium red walnut <input type="checkbox"/>	+\$28
EY	light anigre <input type="checkbox"/>	+\$28
UL	natural maple <input type="checkbox"/>	+\$28
UQ	light cherry <input type="checkbox"/>	+\$28
UV	red cherry <input type="checkbox"/>	+\$28
UX	walnut on cherry <input type="checkbox"/>	+\$28

Step 11. Edge Finish		
<i>For 1¼"-high laminate top with vinyl edge (TL)</i>		
76	light brown walnut <input type="checkbox"/>	+\$0
8Q	folkstone grey <input type="checkbox"/>	+\$0
91	white <input type="checkbox"/>	+\$0
BU	black umber <input type="checkbox"/>	+\$0
CL	cool grey neutral <input type="checkbox"/>	+\$0
CM	cinnamon <input type="checkbox"/>	+\$0
CO	chamomile <input type="checkbox"/>	+\$0
G2	graphite satin <input type="checkbox"/>	+\$0
HF	inner tone light <input type="checkbox"/>	+\$0
HM	natural maple <input type="checkbox"/>	+\$0
HP	light anigre <input type="checkbox"/>	+\$0
HT	inner tone <input type="checkbox"/>	+\$0
HX	aged cherry <input type="checkbox"/>	+\$0
HY	walnut on cherry <input type="checkbox"/>	+\$0
LA	light ash <input type="checkbox"/>	+\$0
LM	mahogany <input type="checkbox"/>	+\$0
LU	soft white <input type="checkbox"/>	+\$0
MT	medium tone <input type="checkbox"/>	+\$0
SG	slate grey <input type="checkbox"/>	+\$0
WA	wheat <input type="checkbox"/>	+\$0
WL	sandstone <input type="checkbox"/>	+\$0
WN	warm grey neutral <input type="checkbox"/>	+\$0

Ellipse-Pull Storage Case *continued*

Step 12. Cushion Top Fabric

For 1" cushion top (TC1) or 2" cushion top (TC2)

See textiles list for fabric numbers. First 2 digits of number indicate fabric line; remaining digit(s) indicate fabric color.

Price Category 1	+\$0
Price Category 2	+\$55
Price Category 3	+\$67
Price Category 4	+\$82
Price Category 7	+\$137
Price Category 9	+\$950
Price Category B	+\$56
Price Category E	+\$139
Price Category G	+\$250
Price Category H	+\$333

Step 13. Base Height

For 23¹/₂" high (26), 26¹/₄" high (29), 35¹/₄" high (38), or 39³/₈" high (42)

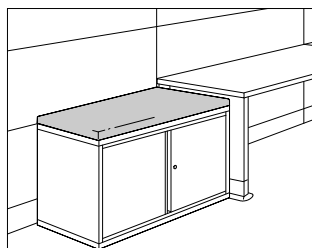
B1	1"-high base <input type="checkbox"/> A	+\$0
B2	1 ¹ / ₂ "-high base <input type="checkbox"/> A	+\$0
B3	2 ¹ / ₄ "-high base <input type="checkbox"/> A	+\$0
B4	3 ¹ / ₄ "-high base <input type="checkbox"/> A	+\$0
BA	1"-high recessed base <input type="checkbox"/> A	+\$32
BB	1 ¹ / ₂ "-high recessed base <input type="checkbox"/> A	+\$32
BC	2 ¹ / ₄ "-high recessed base <input type="checkbox"/> A	+\$32
BD	3 ¹ / ₄ "-high recessed base <input type="checkbox"/> A	+\$32
B5	4 ¹ / ₄ "-high base <input type="checkbox"/> A	+\$32
B9	4 ³ / ₄ "-high mobile base <input type="checkbox"/> A	+\$270

For 47" high (50), 52¹/₂" high (55), 60¹/₈" high (63), 62⁷/₈" high (66), or 65⁵/₈" high (69)

B1	1"-high base <input type="checkbox"/> A	+\$0
B2	1 ¹ / ₂ "-high base <input type="checkbox"/> A	+\$0
B3	2 ¹ / ₄ "-high base <input type="checkbox"/> A	+\$0
B4	3 ¹ / ₄ "-high base <input type="checkbox"/> A	+\$0
BA	1"-high recessed base <input type="checkbox"/> A	+\$32
BB	1 ¹ / ₂ "-high recessed base <input type="checkbox"/> A	+\$32
BC	2 ¹ / ₄ "-high recessed base <input type="checkbox"/> A	+\$32
BD	3 ¹ / ₄ "-high recessed base <input type="checkbox"/> A	+\$32
B5	4 ¹ / ₄ "-high base <input type="checkbox"/> A	+\$32

Storage Case Retrofit Cushion Top

TC1-3
TC1-4
TC2-3
TC2-4



Product Information

Description

This cushion top is retrofit to a lateral file or storage case with a flat metal top. It is available in 2 heights, 3 widths, and 2 depths. Velcro strips are included to attach cushion to flat metal top.

Notes

Cushion top accepts Customer's Own Material (COM). Yardage is estimated for nondirectional, 54"-wide fabrics. When ordering more than 1 cushion, round up total yardage requirement to next whole yard of fabric.

Width—Yardage

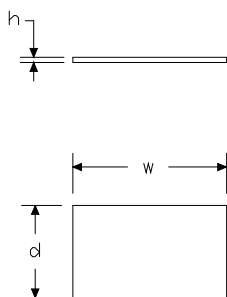
30"—1.05

36"—1.22

42"—1.40

For information on multiple quantities or directional fabrics, contact COM Department. See Order Information in Appendices.

Dimensions



Specification Information

Step 1.

TC

Step 2. Height

1- 1" high

2- 2" high

Step 3. Width

30 30" wide

36 36" wide

42 42" wide

Step 4. Depth

18 18" deep

20 20" deep

Prices for Steps 1-4.

TC1-30	18	\$364
	20	\$364
TC1-36	18	\$364
	20	\$364
TC1-42	18	\$364
	20	\$364
TC2-30	18	\$364
	20	\$364
TC2-36	18	\$364
	20	\$364
TC2-42	18	\$364
	20	\$364

Storage Case Retrofit Cushion Top

continued

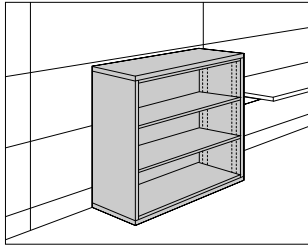
Step 5. Cushion Top Fabric

See textiles list for fabric numbers. First 2 digits of number indicate fabric line; remaining digit(s) indicate fabric color.

Price Category 1	+\$0
Price Category 2	+\$55
Price Category 3	+\$67
Price Category 4	+\$82
Price Category 7	+\$137
Price Category 9	+\$950
Price Category B	+\$56
Price Category E	+\$139
Price Category G	+\$250
Price Category H	+\$333

Freestanding Bookcase

46-30
46-36
46-42



Product Information

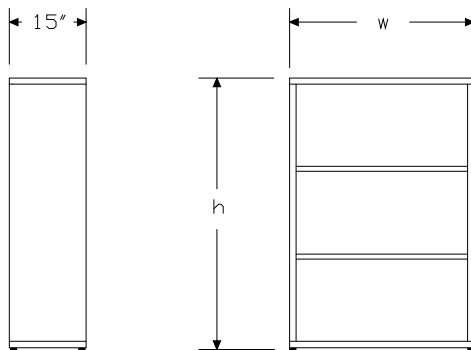
Description

This 15"-deep freestanding bookcase provides storage and display space. It has a smooth- or textured-steel case, adjustable metal shelves, and 3 widths and 4 heights. The bookcase has no top or a metal, laminate, or veneer top. 5 base heights are available; all bases include adjustable glides. The 42"-high bookcase can be specified with lockable sliding doors.

Notes

Dimensional illustrations do not include all possible configurations.
Order additional shelf (SSB-3) separately.
Order optional display shelf (BDS-3015, BDS-3615, or BDS-4215) separately.

Dimensions



Specification Information

Step 1.

46-

Step 2. Width

3015- 30" wide
3615- 36" wide
4215- 42" wide

Step 3. Doors

For 30" wide (3015-) or 42" wide (4215-)

OB- no doors

For 36" wide (3615-)

OB- no doors

SB- sliding doors

Step 4. Height

For no doors (OB-)

29 26¹/₄" high
42 39³/₈" high
55 52¹/₂" high
68 65⁵/₈" high

For sliding doors (SB-)

42 39³/₈" high

Prices for Steps 1-4.

	29	42	55	68
46-3015- OB-	\$550	586	616	649
46-3615- OB-	\$622	658	689	722
SB-	—	\$701	—	—
46-4215- OB-	\$695	731	762	794

Step 5. Paint/Steel Type

SS	smooth paint on smooth steel	+\$0
TS	smooth paint on textured steel	+\$0
XS	textured paint on smooth steel	+\$0

Freestanding Bookcase *continued*

Step 6. Surface Finish

For smooth paint on smooth steel (SS) or smooth paint on textured steel (TS)

Nonmetallic Paint	+\$0
Metallic Paint	+\$65

Sand Texture Paint

For textured paint on smooth steel (XS)

7L	dune	+\$0
7M	chai	+\$0
7N	grass	+\$0
7U	blue ridge	+\$0
7V	loden	+\$0
7W	napa	+\$0
7Y	sedona	+\$0
7Z	mink	+\$0
8T	gull	+\$0
8Y	moonbeam	+\$0
B4	blue medium	+\$0
ZK	cappuccino	+\$0

Bright Sand Texture Paint

For textured paint on smooth steel (XS)

91	white	+\$0
CL	cool grey neutral	+\$0
G1	graphite	+\$0
WN	warm grey neutral	+\$0

Step 7. Top

NT	no top	+\$0
T1	1"-high painted metal top with squared edge	+\$0
T2	1 1/4"-high painted metal top with squared edge	+\$0
T3	1 1/4"-high painted metal top with radius edge	+\$55
TL	1 1/4"-high laminate top with vinyl edge	+\$63
TR	1 1/4"-high recut veneer top A	+\$132
J3	1 1/4"-high cathedral recut veneer top A	+\$135
TF	1 1/4"-high wood veneer top A	+\$137

Step 8.

Top Finish: Solid-Color Laminate

For 1 1/4"-high laminate top with vinyl edge (TL)

8Q	folkstone grey	+\$0
91	white	+\$0
CL	cool grey neutral	+\$0
HF	inner tone light	+\$0
HT	inner tone	+\$0
LT	light tone	+\$0
LU	soft white	+\$0
WL	sandstone	+\$0
WN	warm grey neutral	+\$0

Top Finish: Fiber Laminate

For 1 1/4"-high laminate top with vinyl edge (TL)

1X	vanilla	+\$0
2X	wheat	+\$0
3X	celery	+\$0
4X	coriander	+\$0
5X	chamomile	+\$0
6X	cinnamon	+\$0
7X	cardamom	+\$0
8X	kale	+\$0

Top Finish: Frosted Laminate

For 1 1/4"-high laminate top with vinyl edge (TL)

J4	frosted light grey	+\$0
J5	frosted inner tone light	+\$0
J6	frosted slate grey	+\$0
J7	frosted medium tone	+\$0
J8	frosted black	+\$0

Top Finish: Wood-Grain Laminate

For 1 1/4"-high laminate top with vinyl edge (TL)

HM	natural maple	+\$0
HP	light anigre	+\$0
LA	light ash	+\$0
LM	mahogany	+\$0
76	light brown walnut	+\$39
HX	aged cherry	+\$39
HY	walnut on cherry	+\$39

Freestanding Bookcase *continued*

Top Finish: Zephyr Laminate

For 1 1/4"-high laminate top with vinyl edge (TL)

D1	canyon	+\$0
DC	misted	+\$0
DF	twilight	+\$0
DQ	desert	+\$0

Veneer Top Finish

For 1 1/4"-high recut veneer top (TR)

RA	light ash <input type="checkbox"/>	+\$0
RK	mahogany dark <input type="checkbox"/>	+\$0
RM	mahogany <input type="checkbox"/>	+\$0

Veneer Top Finish

For 1 1/4"-high cathedral recut veneer top (J3)

DU	cathedral recut natural maple <input type="checkbox"/>	+\$0
HU	cathedral recut light anigre <input type="checkbox"/>	+\$0
JU	cathedral recut aged cherry <input type="checkbox"/>	+\$0
VU	cathedral recut light brown walnut <input type="checkbox"/>	+\$0
WU	cathedral recut walnut on cherry <input type="checkbox"/>	+\$0
XU	cathedral recut medium red cherry <input type="checkbox"/>	+\$0
ZU	cathedral recut chocolate brown sapele <input type="checkbox"/>	+\$0

Veneer Top Finish

For 1 1/4"-high wood veneer top (TF)

V3	cherry <input type="checkbox"/>	+\$21
Z3	warm red cherry <input type="checkbox"/>	+\$21
Z5	maple <input type="checkbox"/>	+\$21
2U	light brown walnut <input type="checkbox"/>	+\$28
3U	medium red cherry <input type="checkbox"/>	+\$28
6U	chocolate brown sapele <input type="checkbox"/>	+\$28
ED	aged cherry <input type="checkbox"/>	+\$28
EG	medium brown walnut <input type="checkbox"/>	+\$28
EK	medium red walnut <input type="checkbox"/>	+\$28
EY	light anigre <input type="checkbox"/>	+\$28
UL	natural maple <input type="checkbox"/>	+\$28
UQ	light cherry <input type="checkbox"/>	+\$28
UV	red cherry <input type="checkbox"/>	+\$28
UX	walnut on cherry <input type="checkbox"/>	+\$28

Step 9. Edge Finish

For 1 1/4"-high laminate top with vinyl edge (TL)

76	light brown walnut	+\$0
8Q	folkstone grey	+\$0
91	white	+\$0
BU	black umber	+\$0
CL	cool grey neutral	+\$0
CM	cinnamon	+\$0
CO	chamomile	+\$0
G2	graphite satin	+\$0
HF	inner tone light	+\$0
HM	natural maple	+\$0
HP	light anigre	+\$0
HT	inner tone	+\$0
HX	aged cherry	+\$0
HY	walnut on cherry	+\$0
LA	light ash	+\$0
LM	mahogany	+\$0
LU	soft white	+\$0
MT	medium tone	+\$0
SG	slate grey	+\$0
WA	wheat	+\$0
WL	sandstone	+\$0
WN	warm grey neutral	+\$0

Step 10. Shelves

For 26 1/4" high (29)

NS0	no interior option	-\$32
NS1	1 shelf total	+\$0
NS2	2 shelves total	+\$32
NS3	3 shelves total	+\$63

For 39 3/8" high (42)

NS0	no interior option	-\$63
NS1	1 shelf total	-\$32
NS2	2 shelves total	+\$0
NS3	3 shelves total	+\$32
NS4	4 shelves total	+\$63

Freestanding Bookcase *continued*

For 52½" high (55)

NS0	no interior option	-\$95
NS1	1 shelf total	-\$63
NS2	2 shelves total	-\$32
NS3	3 shelves total	+\$0
NS4	4 shelves total	+\$32
NS5	5 shelves total	+\$63
NS6	6 shelves total	+\$95

For 65⅝" high (68)

NS0	no interior option	-\$126
NS1	1 shelf total	-\$95
NS2	2 shelves total	-\$63
NS3	3 shelves total	-\$32
NS4	4 shelves total	+\$0
NS5	5 shelves total	+\$32
NS6	6 shelves total	+\$63
NS7	7 shelves total	+\$95
NS8	8 shelves total	+\$126

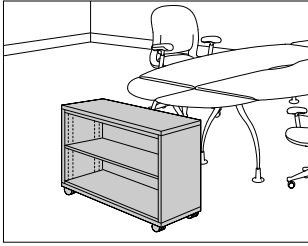
Step 11. Lock

For sliding doors (SB-)

KC	keyed differently, chrome	+\$0
KD	keyed differently, black	+\$0

Step 12. Base Height

B1	1"-high base	+\$0
B2	1½"-high base	+\$0
B3	2¼"-high base	+\$0
B4	3¼"-high base	+\$0
B5	4¼"-high base	+\$32



Product Information

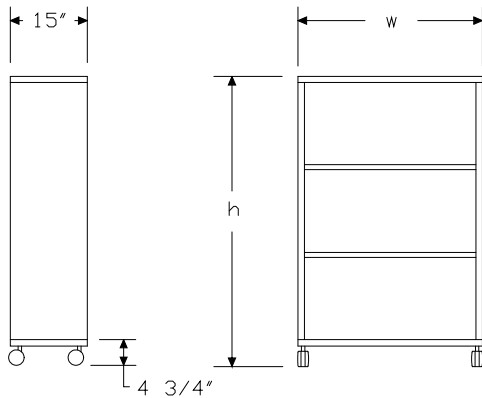
Description

This 15"-deep mobile bookcase provides storage and display space. It has a smooth- or textured-steel case, adjustable metal shelves, and 3 widths and 4 heights. The bookcase has no top or a metal, laminate, or veneer top. The 4³/₄"-high mobile base has a 1¹/₂"-high base frame with 3¹/₄"-high outset casters. The 2 swivel and 2 fixed casters must be field installed.

Notes

Dimensional illustrations do not include all possible configurations.
 Order additional shelf (SSB-3) separately.
 Order optional display shelf (BDS-3015, BDS-3615, or BDS-4215) separately.

Dimensions



Specification Information

Step 1.

FMB6-

Step 2. Width

- 3015-** 30" wide
- 3615-** 36" wide
- 4215-** 42" wide

Step 3. Height

Height includes 1¹/₂" base, 3¹/₄" casters, and no top.

- 1** 28¹/₄" high
- 2** 31" high
- 3** 40" high
- 4** 44¹/₈" high

Prices for Steps 1-3.

		1	2	3	4
FMB6-	3015-	\$742	758	775	793
	3615-	\$818	836	853	870
	4215-	\$896	914	932	950

Step 4. Paint/Steel Type

- SS** smooth paint on smooth steel +\$0
- TS** smooth paint on textured steel +\$0
- XS** textured paint on smooth steel +\$0

Step 5. Surface Finish

For smooth paint on smooth steel (SS) or smooth paint on textured steel (TS)

- Nonmetallic Paint +\$0
- Metallic Paint +\$65

Sand Texture Paint		
<i>For textured paint on smooth steel (XS)</i>		
7L	dune	+\$0
7M	chai	+\$0
7N	grass	+\$0
7U	blue ridge	+\$0
7V	loden	+\$0
7W	napa	+\$0
7Y	sedona	+\$0
7Z	mink	+\$0
8T	gull	+\$0
8Y	moonbeam	+\$0
B4	blue medium	+\$0
ZK	cappuccino	+\$0

Bright Sand Texture Paint		
<i>For textured paint on smooth steel (XS)</i>		
91	white	+\$0
CL	cool grey neutral	+\$0
G1	graphite	+\$0
WN	warm grey neutral	+\$0

Step 6. Top		
NT	no top	+\$0
T1	1"-high painted metal top with squared edge	+\$0
T2	1 1/4"-high painted metal top with squared edge	+\$0
T3	1 1/4"-high painted metal top with radius edge	+\$55
TL	1 1/4"-high laminate top with vinyl edge	+\$63
TR	1 1/4"-high recut veneer top A	+\$132
J3	1 1/4"-high cathedral recut veneer top A	+\$135
TF	1 1/4"-high wood veneer top A	+\$137

Step 7.		
Top Finish: Solid-Color Laminate		
<i>For 1 1/4"-high laminate top with vinyl edge (TL)</i>		
8Q	folkstone grey	+\$0
91	white	+\$0
CL	cool grey neutral	+\$0
HF	inner tone light	+\$0
HT	inner tone	+\$0
LT	light tone	+\$0
LU	soft white	+\$0
WL	sandstone	+\$0
WN	warm grey neutral	+\$0

Top Finish: Fiber Laminate		
<i>For 1 1/4"-high laminate top with vinyl edge (TL)</i>		
1X	vanilla	+\$0
2X	wheat	+\$0
3X	celery	+\$0
4X	coriander	+\$0
5X	chamomile	+\$0
6X	cinnamon	+\$0
7X	cardamom	+\$0
8X	kale	+\$0

Top Finish: Frosted Laminate		
<i>For 1 1/4"-high laminate top with vinyl edge (TL)</i>		
J4	frosted light grey	+\$0
J5	frosted inner tone light	+\$0
J6	frosted slate grey	+\$0
J7	frosted medium tone	+\$0
J8	frosted black	+\$0

Top Finish: Wood-Grain Laminate		
<i>For 1 1/4"-high laminate top with vinyl edge (TL)</i>		
HM	natural maple	+\$0
HP	light anigre	+\$0
LA	light ash	+\$0
LM	mahogany	+\$0
76	light brown walnut	+\$39
HX	aged cherry	+\$39
HY	walnut on cherry	+\$39

Top Finish: Zephyr Laminate		
<i>For 1 1/4"-high laminate top with vinyl edge (TL)</i>		
D1	canyon	+\$0
DC	misted	+\$0
DF	twilight	+\$0
DQ	desert	+\$0

Veneer Top Finish		
<i>For 1 1/4"-high recut veneer top (TR)</i>		
RA	light ash A	+\$0
RK	mahogany dark A	+\$0
RM	mahogany A	+\$0

Veneer Top Finish

For 1 1/4"-high cathedral recut veneer top (J3)

DU	cathedral recut natural maple A	+\$0
HU	cathedral recut light anigre A	+\$0
JU	cathedral recut aged cherry A	+\$0
VU	cathedral recut light brown walnut A	+\$0
WU	cathedral recut walnut on cherry A	+\$0
XU	cathedral recut medium red cherry A	+\$0
ZU	cathedral recut chocolate brown sapele A	+\$0

Veneer Top Finish

For 1 1/4"-high wood veneer top (TF)

V3	cherry A	+\$21
Z3	warm red cherry A	+\$21
Z5	maple A	+\$21
2U	light brown walnut A	+\$28
3U	medium red cherry A	+\$28
6U	chocolate brown sapele A	+\$28
ED	aged cherry A	+\$28
EG	medium brown walnut A	+\$28
EK	medium red walnut A	+\$28
EY	light anigre A	+\$28
UL	natural maple A	+\$28
UQ	light cherry A	+\$28
UV	red cherry A	+\$28
UX	walnut on cherry A	+\$28

Step 8. Edge Finish

For 1 1/4"-high laminate top with vinyl edge (TL)

76	light brown walnut	+\$0
8Q	folkstone grey	+\$0
91	white	+\$0
BU	black umber	+\$0
CL	cool grey neutral	+\$0
CM	cinnamon	+\$0
CO	chamomile	+\$0
G2	graphite satin	+\$0
HF	inner tone light	+\$0
HM	natural maple	+\$0
HP	light anigre	+\$0
HT	inner tone	+\$0
HX	aged cherry	+\$0
HY	walnut on cherry	+\$0
LA	light ash	+\$0
LM	mahogany	+\$0
LU	soft white	+\$0
MT	medium tone	+\$0
SG	slate grey	+\$0
WA	wheat	+\$0
WL	sandstone	+\$0
WN	warm grey neutral	+\$0

Step 9. Shelves

For 28 1/4" high (1) or 31" high (2)

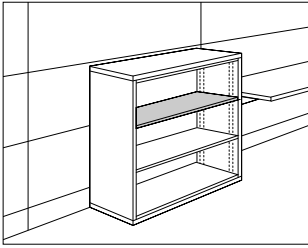
NS0	no interior option	-\$32
NS1	1 shelf total	+\$0
NS2	2 shelves total	+\$32
NS3	3 shelves total	+\$63

For 40" high (3) or 44 1/8" high (4)

NS0	no interior option	-\$63
NS1	1 shelf total	-\$32
NS2	2 shelves total	+\$0
NS3	3 shelves total	+\$32
NS4	4 shelves total	+\$63

Bookcase Steel Shelf

SSB-3
SSB-4



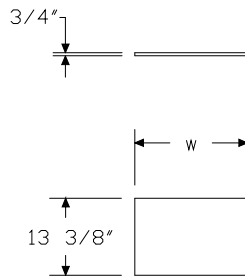
Meridian® Bookcases

Product Information

Description
This adjustable metal shelf fits into a 15"-deep bookcase to provide additional shelf storage. It is smooth steel and available in 3 widths. Shelf attachment clips are included.

Notes
Shelf cannot be used with Compass™ bookcase.

Dimensions



Specification Information

Step 1.

SSB-

Step 2. Width

30	30" wide
36	36" wide
42	42" wide

Prices for Steps 1-2.

SSB-30	\$38
SSB-36	\$46
SSB-42	\$54

Step 3. Paint/Steel Type

SS	smooth paint on smooth steel	+ \$0
XS	textured paint on smooth steel	+ \$0

Step 4. Surface Finish

For smooth paint on smooth steel (SS)

Nonmetallic Paint	+ \$0
Metallic Paint	+ \$5

Sand Texture Paint

For textured paint on smooth steel (XS)

7L	dune	+ \$0
7M	chai	+ \$0
7N	grass	+ \$0
7U	blue ridge	+ \$0
7V	loden	+ \$0
7W	napa	+ \$0
7Y	sedona	+ \$0
7Z	mink	+ \$0
8T	gull	+ \$0
8Y	moonbeam	+ \$0
B4	blue medium	+ \$0
ZK	cappuccino	+ \$0

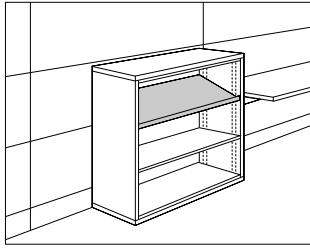
Bright Sand Texture Paint

For textured paint on smooth steel (XS)

91	white	+ \$0
CL	cool grey neutral	+ \$0
G1	graphite	+ \$0
WN	warm grey neutral	+ \$0

Bookcase Display Shelf

BDS-3
BDS-4



Product Information

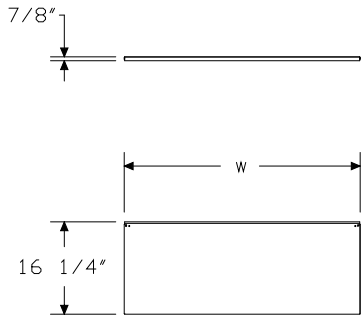
Description

This adjustable metal shelf fits into a 15"-deep bookcase to provide an angled display area for publications. It is smooth steel and available in 3 widths. Shelf attachment clips are included.

Notes

Shelf cannot be used with Compass™ bookcase.

Dimensions



Specification Information

Step 1.

BDS-

Step 2. Width

3015	30" wide
3615	36" wide
4215	42" wide

Prices for Steps 1-2.

BDS-3015	\$118
BDS-3615	\$135
BDS-4215	\$153

Step 3. Paint/Steel Type

SS	smooth paint on smooth steel	+\$0
XS	textured paint on smooth steel	+\$0

Step 4. Surface Finish

For smooth paint on smooth steel (SS)

Nonmetallic Paint	+\$0
Metallic Paint	+\$5

Sand Texture Paint

For textured paint on smooth steel (XS)

7L	dune	+\$0
7M	chai	+\$0
7N	grass	+\$0
7U	blue ridge	+\$0
7V	loden	+\$0
7W	napa	+\$0
7Y	sedona	+\$0
7Z	mink	+\$0
8T	gull	+\$0
8Y	moonbeam	+\$0
B4	blue medium	+\$0
ZK	cappuccino	+\$0

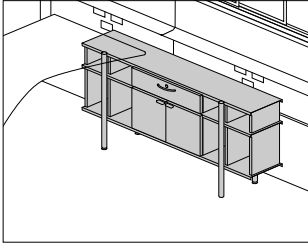
Bright Sand Texture Paint

For textured paint on smooth steel (XS)

91	white	+\$0
CL	cool grey neutral	+\$0
G1	graphite	+\$0
WN	warm grey neutral	+\$0

Bookcase

MJ420.
MJ42B.



Meridian® Bookcases

Product Information

Description

This freestanding storage unit is used within a workstation or used in a freestanding application. It stores books, binders, and other items and has a painted or veneer top. The bookcase can be specified with open shelves, with a box drawer and open shelf, or with a box drawer and a shelf with doors. The bookcase legs include 4 glides with 1½" of leveling adjustment.

Notes

Drawer and doors have ellipse pulls; pull finish is metallic silver (MS). Bookcases with a box drawer (MJ420.B) ship with 1 chrome lock; bookcases with a box drawer and doors (MJ420.C) ship with 2 chrome locks.

Bookcase back panel provides security in freestanding application. Not required when bookcase is used as support element for My Studio Environments™.

Order optional products separately:

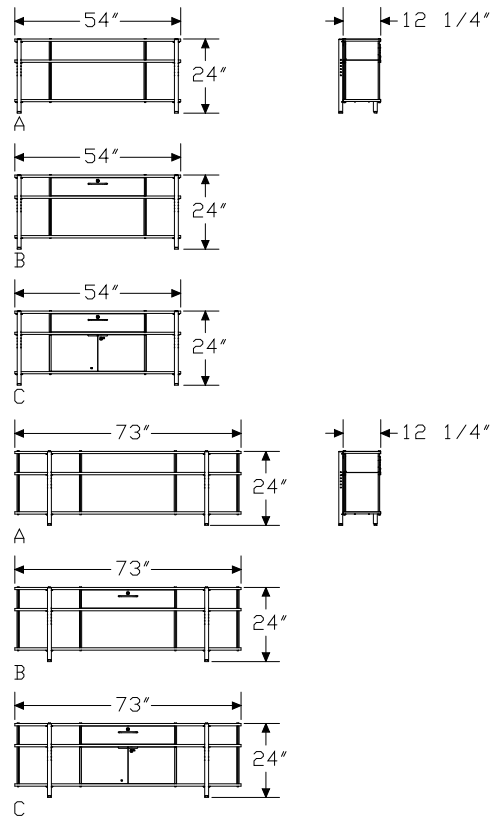
- Bookcase horizontal divider (MJ422.)

Bookcase legs support My Studio Environments™ primary and secondary surfaces.

Bookcase does not fit in a My Studio Environments 6' x 6' office.

For keyed-alike locks, order chrome lock plugs separately. See Keyed-Alike Information in Appendices.

Dimensions



Specification Information

Step 1.

MJ42

Step 2. Back Panel

- O.** no back panel
- B.** security back panel

Step 3. Width

- 54** 54" wide
- 73** 73" wide

Step 4. Configuration

- A** open shelves
- B** box drawer/open shelf
- C** box drawer/shelf with doors

Step 5. Top Material

- P** painted
- W** veneer A

Prices for Steps 1-5.

	P	W
MJ420. 54 A	\$735	1058
B	\$919	1270
C	\$1066	1435
73 A	\$926	1478
B	\$1105	1518
C	\$1354	1786
MJ42B. 54 A	\$815	1138
B	\$999	1350
C	\$1146	1515
73 A	\$1006	1558
B	\$1185	1598
C	\$1434	1866

Step 6. Top Finish

For painted (P)

91 white	+\$0
CN metallic champagne	+\$0
EH metallic bronze	+\$0
G1 graphite	+\$0
MS metallic silver	+\$0

Wood Veneer

For veneer (W)

2U light brown walnut A	+\$28
3U medium red cherry A	+\$28
6U chocolate brown sapele A	+\$28
ED aged cherry A	+\$28
EY light anigre A	+\$28
UL natural maple A	+\$28
UX walnut on cherry A	+\$28

Step 7. Shelf Finish

91 white	+\$0
CN metallic champagne	+\$0
EH metallic bronze	+\$0
G1 graphite	+\$0
MS metallic silver	+\$0

Step 8. Vertical Surface Finish

91 white	+\$0
CL cool grey neutral	+\$0
G1 graphite	+\$0
WN warm grey neutral	+\$0

Step 9.

Drawer Front Finish: Sand Texture Paint

For box drawer/open shelf (B)

7L dune	+\$0
7M chai	+\$0
7N grass	+\$0
7U blue ridge	+\$0
7V loden	+\$0
7W napa	+\$0
7Y sedona	+\$0
7Z mink	+\$0
8T gull	+\$0
8Y moonbeam	+\$0
B4 blue medium	+\$0
ZK cappuccino	+\$0

Drawer Front Finish: Bright Sand Texture Paint

For box drawer/open shelf (B)

91 white	+\$0
CL cool grey neutral	+\$0
G1 graphite	+\$0
WN warm grey neutral	+\$0

Drawer/Door Front Finish: Sand Texture Paint
For box drawer/shelf with doors (C)

7L	dune	+\$0
7M	chai	+\$0
7N	grass	+\$0
7U	blue ridge	+\$0
7V	loden	+\$0
7W	napa	+\$0
7Y	sedona	+\$0
7Z	mink	+\$0
8T	gull	+\$0
8Y	moonbeam	+\$0
B4	blue medium	+\$0
ZK	cappuccino	+\$0

Drawer/Door Front Finish: Bright Sand Texture Paint
For box drawer/shelf with doors (C)

91	white	+\$0
CL	cool grey neutral	+\$0
G1	graphite	+\$0
WN	warm grey neutral	+\$0

Step 10. Leg Finish

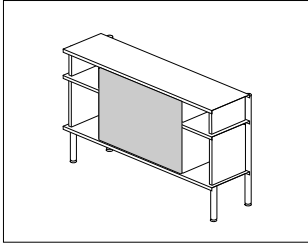
CN	metallic champagne	+\$0
EH	metallic bronze	+\$0
MS	metallic silver	+\$0

Step 11. Lock Option
For box drawer/open shelf (B) or box drawer/shelf with doors (C)

KA	keyed alike	+\$0
KC	keyed differently, chrome	+\$0

Bookcase Back Panel

MJ423.



Product Information

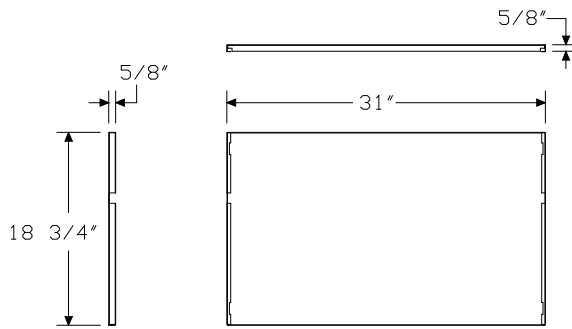
Description

This back panel provides security for a bookcase used in a freestanding application. It is field installed.

Notes

Back panel can be used with 54"- or 73"-wide bookcase.
 When bookcase is used as a support element for My Studio Environments™ offices, back panel is not necessary.

Dimensions



Specification Information

Step 1.

MJ423. \$80

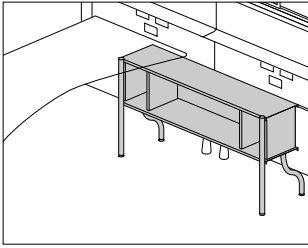
Step 2. Surface Finish

91	white	+\$0
EH	metallic bronze	+\$0
G1	graphite	+\$0
MS	metallic silver	+\$0

Meridian® Bookcases

Bookshelf

MJ421.



Meridian® Bookcases

Product Information

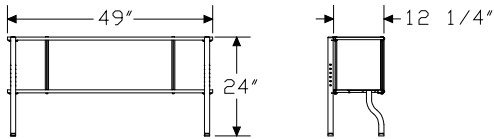
Description

This 49"-wide freestanding storage unit is used within a workstation or in a freestanding application. It stores books, binders, and other items and has a painted or veneer top. The bookshelf legs include 4 glides with 1½" of leveling adjustment.

Notes

Bookshelf fits in a My Studio Environments™ 6'×6' office.
1 bookshelf leg supports a My Studio Environments primary surface.

Dimensions



Specification Information

Step 1.

MJ421.

Step 2. Top Material

P painted
W veneer

Prices for Steps 1-2.

MJ421. P	\$630
W	\$934

Step 3. Top Finish

For painted (P)

91	white	+\$0
CN	metallic champagne	+\$0
EH	metallic bronze	+\$0
G1	graphite	+\$0
MS	metallic silver	+\$0

Wood Veneer

For veneer (W)

2U	light brown walnut <input type="checkbox"/>	+\$28
3U	medium red cherry <input type="checkbox"/>	+\$28
6U	chocolate brown sapele <input type="checkbox"/>	+\$28
ED	aged cherry <input type="checkbox"/>	+\$28
EY	light anigre <input type="checkbox"/>	+\$28
UL	natural maple <input type="checkbox"/>	+\$28
UX	walnut on cherry <input type="checkbox"/>	+\$28

Step 4. Shelf Finish

91	white	+\$0
CN	metallic champagne	+\$0
EH	metallic bronze	+\$0
G1	graphite	+\$0
MS	metallic silver	+\$0

Step 5. Vertical Surface Finish

91	white	+\$0
CL	cool grey neutral	+\$0
G1	graphite	+\$0
WN	warm grey neutral	+\$0

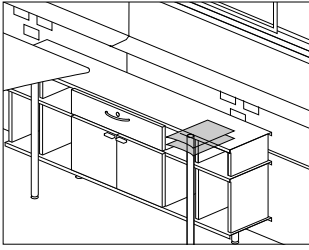
Bookshelf *continued*

Step 6. Leg Finish

CN	metallic champagne	+\$0
EH	metallic bronze	+\$0
MS	metallic silver	+\$0

Bookcase Horizontal Divider

MJ422.



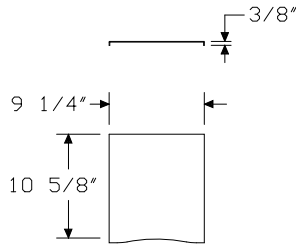
Meridian® Bookcases

Product Information

Description
 These dividers fit into the small upper compartments of a bookcase to horizontally divide papers. Package contains 2.

Notes
 54"-wide bookcase has 2 upper compartments; 73"-wide bookcase has 4 upper compartments (only the 2 middle compartments accept dividers). Each compartment accepts 2 dividers.

Dimensions



Specification Information

Step 1.
MJ422. \$33

Step 2. Finish

91	white	+\$0
CN	metallic champagne	+\$0
EH	metallic bronze	+\$0
G1	graphite	+\$0
MS	metallic silver	+\$0

Index by Product Name

Meridian® Storage Cases and Bookcases	
Bevel-Pull Storage Case	page(s) 10
Bookcase	36
Bookcase Back Panel	39
Bookcase Display Shelf	35
Bookcase Horizontal Divider	42
Bookcase Steel Shelf	34
Bookshelf	40
Contour-Pull Storage Case	15
Ellipse-Pull Storage Case	20
Freestanding Bookcase	27
Mobile Bookcase	31
Standard-Pull Storage Case	5
Storage Case Retrofit Cushion Top	25



Index by Product Number

44-30	Bevel-Pull Storage Case	page(s) 10
44-36		
44-42		
45-30	Contour-Pull Storage Case	15
45-36		
45-42		
46-30	Freestanding Bookcase	27
46-30	Standard-Pull Storage Case	5
46-36	Freestanding Bookcase	27
46-36	Standard-Pull Storage Case	5
46-42	Freestanding Bookcase	27
46-42	Standard-Pull Storage Case	5
4J-30	Ellipse-Pull Storage Case	20
4J-36		
4J-42		
BDS-3	Bookcase Display Shelf	35
BDS-4		
FMB6-	Mobile Bookcase	31
MJ420.	Bookcase	36
MJ421.	Bookshelf	40
MJ422.	Bookcase Horizontal Divider	42
MJ423.	Bookcase Back Panel	39
MJ42B.	Bookcase	36
SSB-3	Bookcase Steel Shelf	34
SSB-4		
TC1-3	Storage Case Retrofit Cushion Top	25
TC1-4		
TC2-3		
TC2-4		

For more information about our products and services or to see a list of dealers, please visit us at HermanMiller.com or call (800) 851 1196.

This book is recyclable. Printed in U.S.A. on recycled paper.

© 2010 Herman Miller, Inc., Zeeland, Michigan

® **HermanMiller**, ☉, Abak, AO, Action Office, Aeron, Ambi, Ardea, Aside, Avive, Babble, C2, Caper, Celle, Co/Struc, DOT, Eames, Embody, Envelop, Equa 2, Ergon 3, Ethospace, Fine-Tune, FlexFront, Formcoat, Ground Cloth, Herman Miller Healthcare, Herman Miller Options, Intersect, Kinemat, Leaf, Lifework, Limerick, Meridian, Mirra, Passage, Pellicle, Perspectives, PostureFit, Prospects, Quadrant, Reaction, Resolve, RoomTune, Scooter, Stoa, Teneo, Vary Easy, Vivo, and Z-Axis are among the registered trademarks of Herman Miller, Inc., and its owned subsidiaries.

™ About Face, AireWeave, Airia, Arrio, Backfit, Boomerang, Bublestick, Burdick Group, Celeste, Cellular Suspension, Clam, CLT, CoActive, Cognita, Compass, Cygnus, daisyone, Enchord, EnhancedAccess, E-Wall, Flex-Edge, Flute, Harmonic, Herman Miller for the Home, Herman Miller International Collection, Herman Miller Select, Hopsak 2, Intent, Iota, JAW, Keyless Entry, Lapjack, Latitude, LOOP, Lyris, Multiscrim, My Studio Environments, Nala, Nelson, Pedastool, Pixelated Support, Programmable Environments, Q, Rapunzel, Recline Selector, S3, Sense, Setu, Stackable, Stackable Storage, TaskPointe, The Be Collection, Thinking is good for you, TriFlex, Tu, Twist, V-Wall, and Wishbone are among the trademarks of Herman Miller, Inc., and its owned subsidiaries.

SM TAP, Textile Alliance Program, Thoughtpile, and Thrive are among the service marks of Herman Miller, Inc.

Chemsurf® is a registered trademark of Wilsonart International.

Corian® is a registered trademark of DuPont.

FLEXNET™ is a trademark of Milliken & Company.

Floor Saver Glide® is a registered trademark of Carpin Manufacturing, Inc.

Geiger® is a registered trademark of Geiger International.

Goetz™ is a trademark of Mark W. Goetz.

Hang-It-All® is a registered trademark of Lucia Eames Demetrios, d.b.a. Eames Office.

Holophane® is a registered trademark of Holophane.

Ingeo™ is a trademark of Cargill Dow LLC.

Microsoft® and Natural® Keyboard are registered trademarks of Microsoft Corporation.

Noguchi® is a registered trademark of The Isamu Noguchi Foundation and Garden Museum.

Qt Quiet technology™ and Qt™ are trademarks of Cambridge Sound Management, Inc.