

## Meridian® Storage Towers

Prices effective December 7, 2009

<b>Introduction</b>	<b>page 2</b>
<b>Meridian® Storage Towers</b>	<b>3</b>
Vertical Towers	5
Standard Pull	5
Bevel Pull	19
Sloped Pull	33
Arc Pull	53
Tower Components	73
Tower Accessories	77
<b>Indices</b>	<b>85</b>
By Name	85
By Number	87
<b>Appendices</b>	
To view and/or print price book appendices, select the appropriate price book from <a href="http://www.HermanMiller.com">www.HermanMiller.com</a> .	



# Introduction

## A Note on the Organization of This Book

There are a few signals that will help you understand the organization of this book. Once you know them, you should be able to find your way around easily.

### Like a newspaper, this book is formatted with columns of text and illustrations that run vertically.

Information wraps from one column to the next and continues for as many pages as it needs to.

### Black bars are clues.

A black bar at the top of a page signals the start of information about a product.

This information is divided into two sections, each signaled by a black bar. Product Information includes a description, additional notes, and dimensional drawings. Specification Information, which always begins at the top of a column, includes a series of steps. Each step represents a decision you need to make in order to complete your product number. Steps must be followed sequentially. The number of pages needed to complete information on a product varies; some will be complete in one page; others may fill three or four pages. Just continue going through the steps until you run into the next product, signaled by the black bar at the top of the page.

Black tabs running along the outside edge of the page help you locate what section you are in or what section you want to go to. You can thumb forwards or backwards to find a section; tabs and text appear on both sides of the page.

The additional pages in the back of the book include the appendices and indices. They are signaled by a long black bar running along the outside edge of the page.

### The index is presented two ways.

The first index is in alphabetical order by product name. It can be helpful if you are new to the products and numbering scheme or if you are looking for a type of product, such as work chair or round table.

The second index is by product number. It lists, in alphanumeric order, the base product number, typically a five-digit number.

## General Information

This book is effective December 7, 2009, subject to change without notice. Products may be purchased from authorized Herman Miller dealers who will quote prices upon request. For more information about our products and services or to see a list of dealers, visit [www.HermanMiller.com](http://www.HermanMiller.com).

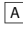
All prices are list prices. Additional services, such as planning services, design, storage, and installation, are not included and must be added to these prices when the additional services are requested.


Illustrations, specifications, and prices are based on the latest information at the time of publication. The right is reserved to make changes at any time without notice in prices, fabrics, finishes, materials, specifications, and models, and also to discontinue models and finishes.

Dimensions shown in the drawings are engineering drawing dimensions rounded up to the nearest  $\frac{1}{8}$ ". Product is shipped set up or knocked down. Products that include "Shipped knocked down" in the description require some assembly. If this statement does not appear in the description, the product is shipped assembled.

Service problems are normally handled by a Herman Miller authorized dealer. Where this cannot be accomplished on a local level, service problems should be referred to the Customer Care Representative for your region, Herman Miller, Inc., Zeeland, Michigan 49464.

### 20-Day or Less/Assigned Lead-Time Shipments

All products and options in this price book not designated by an Assigned Program icon  will ship in **20 business days or less** after being acknowledged by Herman Miller.

Products and options designated by an  are on the assigned lead-time program and may ship in 20 days, less than 20 days, or more than 20 days from order acknowledgement.

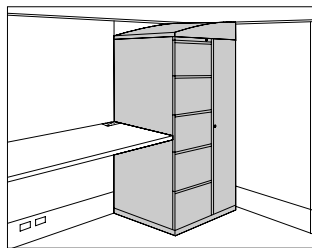
**Vertical Towers**

**Tower Components**

**Tower Accessories**



## Vertical Tower with Wardrobe, Standard Pull



MTN16.  
MTN26.  
MTN36.  
MTN46.  
MTN56.  
MTN66.  
MTN76.  
MTN86.

### Product Information

#### Description

This 24"-wide freestanding storage tower is available in 4 heights and has a wardrobe on 1 side and drawers on the other side. It is available in smooth or textured steel with a metal or veneer top and standard pulls. 5 base heights are available; all bases include adjustable glides. A counterweight is included in the 24<sup>5</sup>/<sub>8</sub>" towers.

The towers have a 9"-wide wardrobe/briefcase storage area and a lock. Letter-width file drawers include a file compressor; box drawers include an adjustable metal divider. 1 lock controls all drawers. The 24"-high tower has a wardrobe area for storage of personal items or a briefcase; the 36"-high tower has a coat hook for shorter-length coats or sweaters; the 48"- and 59"-high towers have a side-to-side coat rod for coats and jackets. All wardrobes include a lock.

#### Notes

Front-facing filing module is the reference point when specifying location of wardrobe and orientation of full- or half-dome top.

2 box drawers may be specified in place of 1 file drawer in predetermined locations.

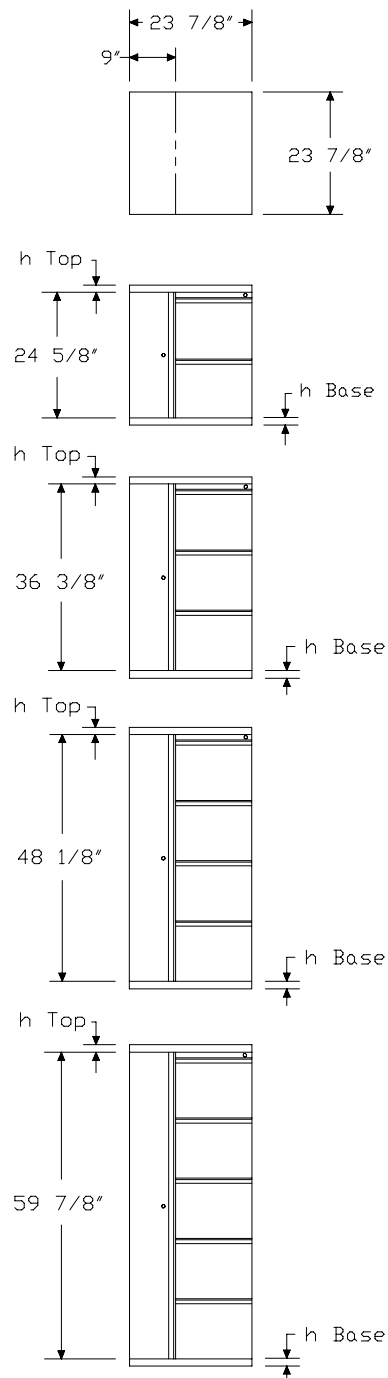
Dimensional illustrations do not include all possible configurations.

Order optional accessories separately:

- Drawer divider (73-1567-D)
- File drawer organizer (73-9874-FDO)
- Pencil tray (73-1516-PT)
- Stationery tray (73-7082-SST)

All locks in unit are factory installed and are keyed alike within unit. For specific numbering choices, specify KA and order lock plugs separately. See Keyed-Alike Information in Appendices.

### Dimensions



# Vertical Tower with Wardrobe, Standard Pull *continued*

## Specification Information

### Step 1.

**MTN**

### Step 2. Height/Wardrobe Location

<b>16.24</b>	24 <sup>5</sup> / <sub>8</sub> " high, wardrobe left
<b>26.24</b>	24 <sup>5</sup> / <sub>8</sub> " high, wardrobe right
<b>36.24</b>	36 <sup>3</sup> / <sub>8</sub> " high, wardrobe left
<b>46.24</b>	36 <sup>3</sup> / <sub>8</sub> " high, wardrobe right
<b>56.24</b>	48 <sup>1</sup> / <sub>8</sub> " high, wardrobe left
<b>66.24</b>	48 <sup>1</sup> / <sub>8</sub> " high, wardrobe right
<b>76.24</b>	59 <sup>7</sup> / <sub>8</sub> " high, wardrobe left
<b>86.24</b>	59 <sup>7</sup> / <sub>8</sub> " high, wardrobe right

### Step 3. Drawer Configuration/Lock Option

*For 24<sup>5</sup>/<sub>8</sub>" high, wardrobe left (16.24) or 24<sup>5</sup>/<sub>8</sub>" high, wardrobe right (26.24)*

<b>R</b>	file/file, 1 lock
<b>S</b>	box/box/file, 1 lock

*For 36<sup>3</sup>/<sub>8</sub>" high, wardrobe left (36.24) or 36<sup>3</sup>/<sub>8</sub>" high, wardrobe right (46.24)*

<b>T</b>	file/file/file, 1 lock
<b>V</b>	box/box/file/file, 1 lock

*For 48<sup>1</sup>/<sub>8</sub>" high, wardrobe left (56.24) or 48<sup>1</sup>/<sub>8</sub>" high, wardrobe right (66.24)*

<b>W</b>	file/file/file/file, 1 lock
<b>X</b>	file/box/box/file/file, 1 lock

*For 59<sup>7</sup>/<sub>8</sub>" high, wardrobe left (76.24) or 59<sup>7</sup>/<sub>8</sub>" high, wardrobe right (86.24)*

<b>Y</b>	file/file/file/file/file, 1 lock
<b>Z</b>	file/file/box/box/file/file, 1 lock

### Step 4. Paint/Steel Type

<b>S</b>	smooth paint on smooth steel
<b>T</b>	smooth paint on textured steel
<b>X</b>	textured paint on smooth steel

### Prices for Steps 1-4.

	<b>S</b>	<b>T</b>	<b>X</b>
<b>MTN16.24 R</b>	\$1200	1200	1200
<b>S</b>	\$1248	1248	1248

<b>MTN26.24 R</b>	\$1200	1200	1200
<b>S</b>	\$1248	1248	1248

<b>MTN36.24 T</b>	\$1526	1526	1526
<b>V</b>	\$1574	1574	1574

<b>MTN46.24 T</b>	\$1526	1526	1526
<b>V</b>	\$1574	1574	1574

<b>MTN56.24 W</b>	\$2179	2179	2179
<b>X</b>	\$2227	2227	2227

<b>MTN66.24 W</b>	\$2179	2179	2179
<b>X</b>	\$2227	2227	2227

<b>MTN76.24 Y</b>	\$2506	2506	2506
<b>Z</b>	\$2554	2554	2554

<b>MTN86.24 Y</b>	\$2506	2506	2506
<b>Z</b>	\$2554	2554	2554

### Step 5. Surface Finish

*For smooth paint on smooth steel (S) or smooth paint on textured steel (T)*

Nonmetallic Paint	+\$0
Metallic Paint	+\$100

### Sand Texture Paint

*For textured paint on smooth steel (X)*

<b>7L</b>	dune	+\$0
<b>7M</b>	chai	+\$0
<b>7N</b>	grass	+\$0
<b>7U</b>	blue ridge	+\$0
<b>7V</b>	loden	+\$0
<b>7W</b>	napa	+\$0
<b>7Y</b>	sedona	+\$0
<b>7Z</b>	mink	+\$0
<b>8T</b>	gull	+\$0
<b>8Y</b>	moonbeam	+\$0
<b>B4</b>	blue medium	+\$0
<b>ZK</b>	cappuccino	+\$0

# Vertical Tower with Wardrobe, Standard Pull *continued*

Bright Sand Texture Paint		
<i>For textured paint on smooth steel (X)</i>		
<b>91</b>	white	+\$0
<b>CL</b>	cool grey neutral	+\$0
<b>G1</b>	graphite	+\$0
<b>WN</b>	warm grey neutral	+\$0

Step 6. Top		
<b>T1</b>	1"-high squared-edge top	+\$0
<b>T2</b>	1 1/4"-high squared-edge top	+\$0
<b>J3</b>	1 1/4"-high cathedral recut veneer top <span style="border: 1px solid black; padding: 0 2px;">A</span>	+\$204
<b>TF</b>	1 1/4"-high wood veneer top <span style="border: 1px solid black; padding: 0 2px;">A</span>	+\$210
<b>D1</b>	6 1/2"-high full dome, side-to-side	+\$210
<b>D2</b>	6 1/2"-high full dome, front-to-back	+\$210
<b>H1</b>	6 1/2"-high half dome, sloping left	+\$210
<b>H2</b>	6 1/2"-high half dome, sloping right	+\$210
<b>H3</b>	6 1/2"-high half dome, sloping front	+\$210
<b>H4</b>	6 1/2"-high half dome, sloping back	+\$210
<b>TV1</b>	1 1/8"-high wood veneer top and wood composite edge with oversail front <span style="border: 1px solid black; padding: 0 2px;">A</span>	+\$315

Step 7. Veneer Top Finish		
Recut Veneer		
<i>For 1 1/4"-high cathedral recut veneer top (J3)</i>		
<b>DU</b>	cathedral recut natural maple <span style="border: 1px solid black; padding: 0 2px;">A</span>	+\$0
<b>HU</b>	cathedral recut light anigre <span style="border: 1px solid black; padding: 0 2px;">A</span>	+\$0
<b>JU</b>	cathedral recut aged cherry <span style="border: 1px solid black; padding: 0 2px;">A</span>	+\$0
<b>VU</b>	cathedral recut light brown walnut <span style="border: 1px solid black; padding: 0 2px;">A</span>	+\$0
<b>WU</b>	cathedral recut walnut on cherry <span style="border: 1px solid black; padding: 0 2px;">A</span>	+\$0
<b>XU</b>	cathedral recut medium red cherry <span style="border: 1px solid black; padding: 0 2px;">A</span>	+\$0
<b>ZU</b>	cathedral recut chocolate brown sapele <span style="border: 1px solid black; padding: 0 2px;">A</span>	+\$0

Wood Veneer		
<i>For 1 1/4"-high wood veneer top (TF)</i>		
<b>V3</b>	cherry <span style="border: 1px solid black; padding: 0 2px;">A</span>	+\$18
<b>Z3</b>	warm red cherry <span style="border: 1px solid black; padding: 0 2px;">A</span>	+\$18
<b>Z5</b>	maple <span style="border: 1px solid black; padding: 0 2px;">A</span>	+\$18
<b>2U</b>	light brown walnut <span style="border: 1px solid black; padding: 0 2px;">A</span>	+\$24
<b>3U</b>	medium red cherry <span style="border: 1px solid black; padding: 0 2px;">A</span>	+\$24
<b>6U</b>	chocolate brown sapele <span style="border: 1px solid black; padding: 0 2px;">A</span>	+\$24
<b>ED</b>	aged cherry <span style="border: 1px solid black; padding: 0 2px;">A</span>	+\$24
<b>EG</b>	medium brown walnut <span style="border: 1px solid black; padding: 0 2px;">A</span>	+\$24
<b>EK</b>	medium red walnut <span style="border: 1px solid black; padding: 0 2px;">A</span>	+\$24
<b>EY</b>	light anigre <span style="border: 1px solid black; padding: 0 2px;">A</span>	+\$24
<b>UL</b>	natural maple <span style="border: 1px solid black; padding: 0 2px;">A</span>	+\$24
<b>UQ</b>	light cherry <span style="border: 1px solid black; padding: 0 2px;">A</span>	+\$24
<b>UV</b>	red cherry <span style="border: 1px solid black; padding: 0 2px;">A</span>	+\$24
<b>UX</b>	walnut on cherry <span style="border: 1px solid black; padding: 0 2px;">A</span>	+\$24

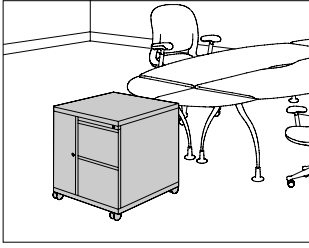
Wood Veneer		
<i>For 1 1/8"-high wood veneer top and wood composite edge with oversail front (TV1)</i>		
<b>ED</b>	aged cherry <span style="border: 1px solid black; padding: 0 2px;">A</span>	+\$24
<b>EG</b>	medium brown walnut <span style="border: 1px solid black; padding: 0 2px;">A</span>	+\$24
<b>EK</b>	medium red walnut <span style="border: 1px solid black; padding: 0 2px;">A</span>	+\$24
<b>EY</b>	light anigre <span style="border: 1px solid black; padding: 0 2px;">A</span>	+\$24
<b>UL</b>	natural maple <span style="border: 1px solid black; padding: 0 2px;">A</span>	+\$24
<b>UQ</b>	light cherry <span style="border: 1px solid black; padding: 0 2px;">A</span>	+\$24
<b>UV</b>	red cherry <span style="border: 1px solid black; padding: 0 2px;">A</span>	+\$24
<b>UX</b>	walnut on cherry <span style="border: 1px solid black; padding: 0 2px;">A</span>	+\$24

Step 8. Base Height		
<b>B1</b>	1"-high base	+\$0
<b>B2</b>	1 1/2"-high base	+\$0
<b>B3</b>	2 1/4"-high base	+\$0
<b>B4</b>	3 1/4"-high base	+\$0
<b>B5</b>	4 1/4"-high base	+\$30

Step 9. Lock		
<b>KA</b>	keyed alike	+\$0
<b>KC</b>	keyed differently, chrome	+\$0
<b>KD</b>	keyed differently, black	+\$0

## Mobile Vertical Tower with Wardrobe, Standard Pull

MTC16.  
MTC26.  
MTC36.  
MTC46.  
MTC56.  
MTC66.



### Product Information

#### Description

This 24"-wide mobile storage tower is available in 3 heights and has a wardrobe on 1 side and drawers on the other side. It is available in smooth or textured steel with a metal or veneer top and standard pulls. The 5½"-high caster base includes a 1½"-high metal frame with 4 4"-diameter casters; 2 casters include a brake. A counterweight is included in all towers.

The towers have a 9"-wide wardrobe/briefcase storage area and a lock. Letter-width file drawers include a file compressor; box drawers include an adjustable metal divider. 1 lock controls all drawers. The 24"-high tower has a wardrobe area for storage of personal items or a briefcase; the 36"-high tower has a coat hook for shorter-length coats or sweaters; the 48"-high tower has a side-to-side coat rod for coats and jackets. All wardrobes include a lock.

#### Notes

Front-facing filing module is the reference point when specifying location of wardrobe and orientation of full- or half-dome top.

Casters must be field installed.

2 box drawers may be specified in place of 1 file drawer in predetermined locations.

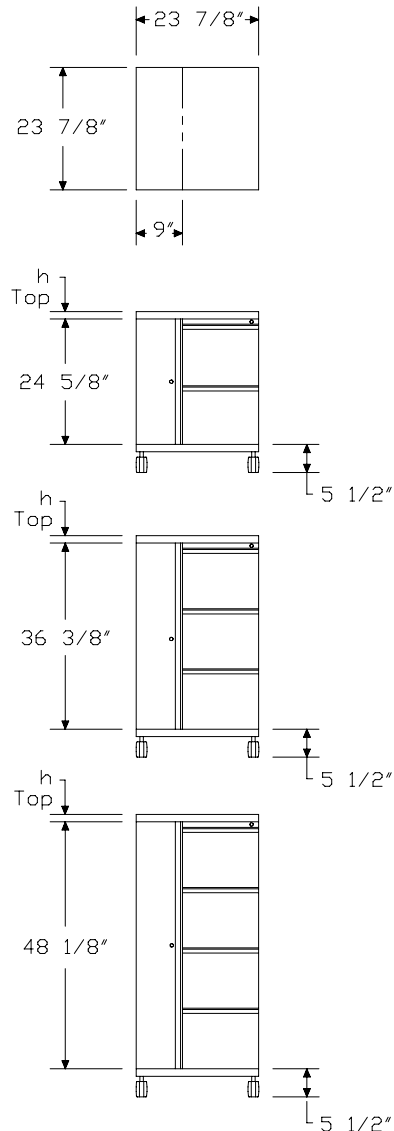
Dimensional illustrations do not include all possible configurations.

Order optional accessories separately:

- Drawer divider (73-1567-D)
- File drawer organizer (73-9874-FDO)
- Pencil tray (73-1516-PT)
- Stationery tray (73-7082-SST)

All locks in unit are factory installed and are keyed alike within unit. For specific numbering choices, specify KA and order lock plugs separately. See Keyed-Alike Information in Appendices.

### Dimensions



# Mobile Vertical Tower with Wardrobe, Standard Pull *continued*

## Specification Information

Step 1.  
**MTC**

### Step 2. Height/Wardrobe Location

<b>16.24</b>	24 <sup>5</sup> / <sub>8</sub> " high, wardrobe left
<b>26.24</b>	24 <sup>5</sup> / <sub>8</sub> " high, wardrobe right
<b>36.24</b>	36 <sup>3</sup> / <sub>8</sub> " high, wardrobe left
<b>46.24</b>	36 <sup>3</sup> / <sub>8</sub> " high, wardrobe right
<b>56.24</b>	48 <sup>1</sup> / <sub>8</sub> " high, wardrobe left
<b>66.24</b>	48 <sup>1</sup> / <sub>8</sub> " high, wardrobe right

### Step 3. Drawer Configuration/Lock Option

*For 24<sup>5</sup>/<sub>8</sub>" high, wardrobe left (16.24) or 24<sup>5</sup>/<sub>8</sub>" high, wardrobe right (26.24)*

<b>R</b>	file/file, 1 lock
<b>S</b>	box/box/file, 1 lock

*For 36<sup>3</sup>/<sub>8</sub>" high, wardrobe left (36.24) or 36<sup>3</sup>/<sub>8</sub>" high, wardrobe right (46.24)*

<b>T</b>	file/file/file, 1 lock
<b>V</b>	box/box/file/file, 1 lock

*For 48<sup>1</sup>/<sub>8</sub>" high, wardrobe left (56.24) or 48<sup>1</sup>/<sub>8</sub>" high, wardrobe right (66.24)*

<b>W</b>	file/file/file/file, 1 lock
<b>X</b>	file/box/box/file/file, 1 lock

### Step 4. Paint/Steel Type

<b>S</b>	smooth paint on smooth steel
<b>T</b>	smooth paint on textured steel
<b>X</b>	textured paint on smooth steel

### Prices for Steps 1-4.

	<b>S</b>	<b>T</b>	<b>X</b>
<b>MTC16.24 R</b>	\$1381	1381	1381
<b>S</b>	\$1428	1428	1428
<b>MTC26.24 R</b>	\$1381	1381	1381
<b>S</b>	\$1428	1428	1428
<b>MTC36.24 T</b>	\$1708	1708	1708
<b>V</b>	\$1756	1756	1756
<b>MTC46.24 T</b>	\$1708	1708	1708
<b>V</b>	\$1756	1756	1756

<b>MTC56.24 W</b>	\$2361	2361	2361
<b>X</b>	\$2409	2409	2409

<b>MTC66.24 W</b>	\$2361	2361	2361
<b>X</b>	\$2409	2409	2409

### Step 5. Surface Finish

*For smooth paint on smooth steel (S) or smooth paint on textured steel (T)*

Nonmetallic Paint			+\$0
Metallic Paint			+\$100

### Sand Texture Paint

*For textured paint on smooth steel (X)*

<b>7L</b>	dune	+\$0
<b>7M</b>	chai	+\$0
<b>7N</b>	grass	+\$0
<b>7U</b>	blue ridge	+\$0
<b>7V</b>	loden	+\$0
<b>7W</b>	napa	+\$0
<b>7Y</b>	sedona	+\$0
<b>7Z</b>	mink	+\$0
<b>8T</b>	gull	+\$0
<b>8Y</b>	moonbeam	+\$0
<b>B4</b>	blue medium	+\$0
<b>ZK</b>	cappuccino	+\$0

### Bright Sand Texture Paint

*For textured paint on smooth steel (X)*

<b>91</b>	white	+\$0
<b>CL</b>	cool grey neutral	+\$0
<b>G1</b>	graphite	+\$0
<b>WN</b>	warm grey neutral	+\$0

# Mobile Vertical Tower with Wardrobe, Standard Pull *continued*

Step 6. Top		
<b>T1</b>	1"-high squared-edge top	+\$0
<b>T2</b>	1 1/4"-high squared-edge top	+\$0
<b>J3</b>	1 1/4"-high cathedral recut veneer top <input type="checkbox"/> A	+\$204
<b>TF</b>	1 1/4"-high wood veneer top <input type="checkbox"/> A	+\$210
<b>D1</b>	6 1/2"-high full dome, side-to-side	+\$210
<b>D2</b>	6 1/2"-high full dome, front-to-back	+\$210
<b>H1</b>	6 1/2"-high half dome, sloping left	+\$210
<b>H2</b>	6 1/2"-high half dome, sloping right	+\$210
<b>H3</b>	6 1/2"-high half dome, sloping front	+\$210
<b>H4</b>	6 1/2"-high half dome, sloping back	+\$210
<b>TV1</b>	1 1/8"-high wood veneer top and wood composite edge with oversail front <input type="checkbox"/> A	+\$315

## Step 7. Veneer Top Finish

### Recut Veneer

*For 1 1/4"-high cathedral recut veneer top (J3)*

<b>DU</b>	cathedral recut natural maple <input type="checkbox"/> A	+\$0
<b>HU</b>	cathedral recut light anigre <input type="checkbox"/> A	+\$0
<b>JU</b>	cathedral recut aged cherry <input type="checkbox"/> A	+\$0
<b>VU</b>	cathedral recut light brown walnut <input type="checkbox"/> A	+\$0
<b>WU</b>	cathedral recut walnut on cherry <input type="checkbox"/> A	+\$0
<b>XU</b>	cathedral recut medium red cherry <input type="checkbox"/> A	+\$0
<b>ZU</b>	cathedral recut chocolate brown sapele <input type="checkbox"/> A	+\$0

### Wood Veneer

*For 1 1/4"-high wood veneer top (TF)*

<b>V3</b>	cherry <input type="checkbox"/> A	+\$18
<b>Z3</b>	warm red cherry <input type="checkbox"/> A	+\$18
<b>Z5</b>	maple <input type="checkbox"/> A	+\$18
<b>2U</b>	light brown walnut <input type="checkbox"/> A	+\$24
<b>3U</b>	medium red cherry <input type="checkbox"/> A	+\$24
<b>6U</b>	chocolate brown sapele <input type="checkbox"/> A	+\$24
<b>ED</b>	aged cherry <input type="checkbox"/> A	+\$24
<b>EG</b>	medium brown walnut <input type="checkbox"/> A	+\$24
<b>EK</b>	medium red walnut <input type="checkbox"/> A	+\$24
<b>EY</b>	light anigre <input type="checkbox"/> A	+\$24
<b>UL</b>	natural maple <input type="checkbox"/> A	+\$24
<b>UQ</b>	light cherry <input type="checkbox"/> A	+\$24
<b>UV</b>	red cherry <input type="checkbox"/> A	+\$24
<b>UX</b>	walnut on cherry <input type="checkbox"/> A	+\$24

### Wood Veneer

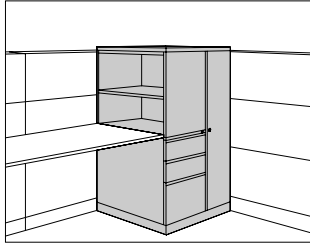
*For 1 1/8"-high wood veneer top and wood composite edge with oversail front (TV1)*

<b>ED</b>	aged cherry <input type="checkbox"/> A	+\$24
<b>EG</b>	medium brown walnut <input type="checkbox"/> A	+\$24
<b>EK</b>	medium red walnut <input type="checkbox"/> A	+\$24
<b>EY</b>	light anigre <input type="checkbox"/> A	+\$24
<b>UL</b>	natural maple <input type="checkbox"/> A	+\$24
<b>UQ</b>	light cherry <input type="checkbox"/> A	+\$24
<b>UV</b>	red cherry <input type="checkbox"/> A	+\$24
<b>UX</b>	walnut on cherry <input type="checkbox"/> A	+\$24

### Step 8. Lock

<b>KA</b>	keyed alike	+\$0
<b>KC</b>	keyed differently, chrome	+\$0
<b>KD</b>	keyed differently, black	+\$0

## Vertical Tower with Wardrobe and Side-Facing Bookcase, Standard Pull



MTB16.  
MTB26.  
MTB36.  
MTB46.  
MTB56.  
MTB66.

### Product Information

#### Description

This freestanding storage tower has a wardrobe and modules for display materials, binders, filing materials, and personal items. It is available in 3 heights and has a wardrobe on 1 side and a side-facing bookcase and drawers on the other side. The tower is available in smooth or textured steel. The tower has a metal or veneer top and standard pulls. 5 base heights are available; all bases include adjustable glides.

The 24 $\frac{1}{2}$ "-wide tower has a 9"-wide wardrobe; the 30"-wide tower has a 15"-wide wardrobe. Both wardrobes include a side-to-side coat rod and lock. Letter-width file drawers include a file compressor; box drawers include an adjustable metal divider. 1 lock controls all drawers.

The 23 $\frac{1}{2}$ "-high bookcase includes 1 adjustable shelf to create openings for 1 row of binders and 1 row of display material. The 26 $\frac{1}{4}$ "- and 27 $\frac{5}{8}$ "-high bookcases include 1 adjustable shelf to create openings for 2 rows of binders or display materials. The 35 $\frac{1}{4}$ "-high bookcase includes 2 adjustable shelves to create openings for 2 rows of binders and 1 row of display materials. The 39 $\frac{3}{8}$ "-high bookcase includes 2 adjustable shelves to create openings for 3 rows of binders. Shelves adjust in 1 $\frac{1}{4}$ " increments.

#### Notes

Front-facing filing module is the reference point when specifying location of wardrobe and orientation of full- or half-dome top.

When specifying tower with 2 file drawers (R) and aligning bookcase with standard 29"-high work surface, specify 3 $\frac{1}{4}$ "-high base (B4).

2 box drawers may be specified in place of 1 file drawer in predetermined locations.

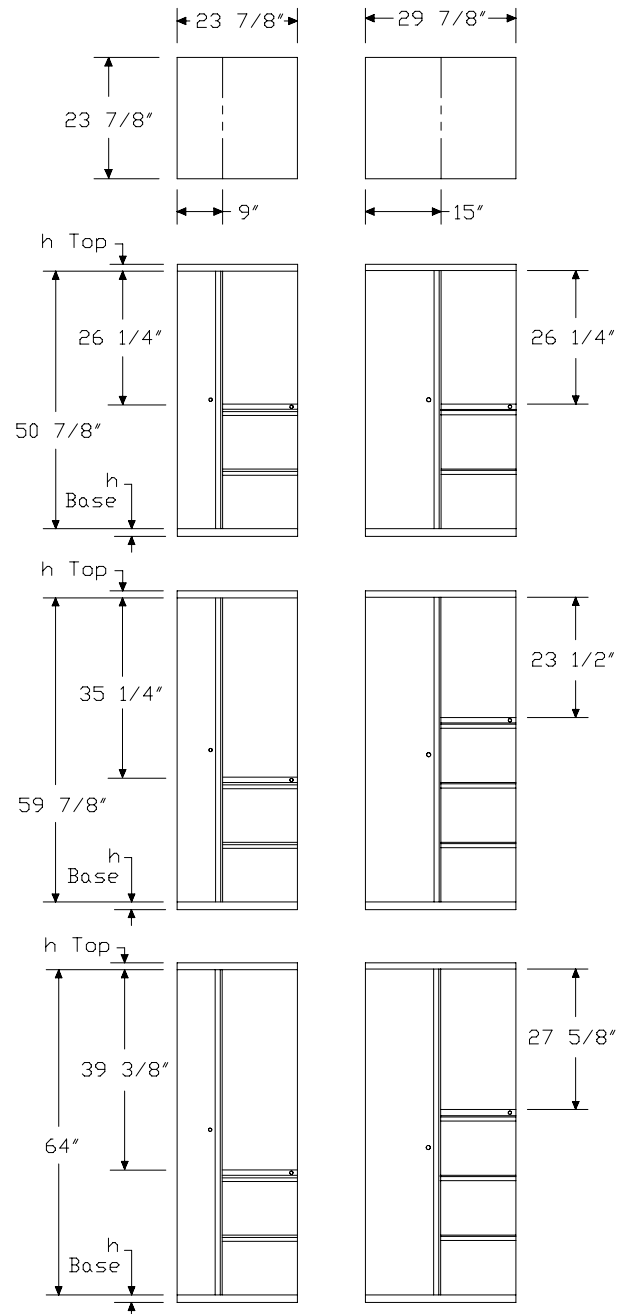
Dimensional illustrations do not include all possible configurations.

Order optional accessories separately:

- Adjustable shelf for side-facing bookcase (MTAS.A)
- Drawer divider (73-1567-D)
- File drawer organizer (73-9874-FDO)
- Pencil tray (73-1516-PT)
- Stationery tray (73-7082-SST)

All locks in unit are factory installed and are keyed alike within unit. For specific numbering choices, specify KA and order lock plugs separately. See Keyed-Alike Information in Appendices.

### Dimensions



# Vertical Tower with Wardrobe and Side-Facing Bookcase, Standard Pull *continued*

Meridian® Vertical Storage Towers

## Specification Information

### Step 1.

**MTB**

### Step 2. Height/Wardrobe Location

<b>16.</b>	50 <sup>7</sup> / <sub>8</sub> " high, wardrobe left
<b>26.</b>	50 <sup>7</sup> / <sub>8</sub> " high, wardrobe right
<b>36.</b>	59 <sup>7</sup> / <sub>8</sub> " high, wardrobe left
<b>46.</b>	59 <sup>7</sup> / <sub>8</sub> " high, wardrobe right
<b>56.</b>	64" high, wardrobe left
<b>66.</b>	64" high, wardrobe right

### Step 3. Width

<b>24</b>	24" wide
<b>30</b>	30" wide

### Step 4. Drawer Configuration

*For 50<sup>7</sup>/<sub>8</sub>" high, wardrobe left (16.) or 50<sup>7</sup>/<sub>8</sub>" high, wardrobe right (26.)*

<b>RF</b>	file/file
<b>SF</b>	box/box/file

*For 59<sup>7</sup>/<sub>8</sub>" high, wardrobe left (36.), 59<sup>7</sup>/<sub>8</sub>" high, wardrobe right (46.), 64" high, wardrobe left (56.), or 64" high, wardrobe right (66.)*

<b>RF</b>	file/file
<b>SF</b>	box/box/file
<b>TF</b>	file/file/file
<b>VF</b>	box/box/file/file

### Step 5. Paint/Steel Type

<b>S</b>	smooth paint on smooth steel
<b>T</b>	smooth paint on textured steel
<b>X</b>	textured paint on smooth steel

### Prices for Steps 1-5.

	<b>S</b>	<b>T</b>	<b>X</b>
<b>MTB16.24 RF</b>	\$1946	1946	1946
<b>SF</b>	\$1994	1994	1994
<b>30 RF</b>	\$1964	1964	1964
<b>SF</b>	\$2012	2012	2012
<b>MTB26.24 RF</b>	\$1946	1946	1946
<b>SF</b>	\$1994	1994	1994
<b>30 RF</b>	\$1964	1964	1964
<b>SF</b>	\$2012	2012	2012

<b>MTB36.24 RF</b>	\$1968	1968	1968
<b>SF</b>	\$2017	2017	2017
<b>TF</b>	\$2144	2144	2144
<b>VF</b>	\$2193	2193	2193
<b>30 RF</b>	\$1985	1985	1985
<b>SF</b>	\$2033	2033	2033
<b>TF</b>	\$2162	2162	2162
<b>VF</b>	\$2209	2209	2209

<b>MTB46.24 RF</b>	\$1968	1968	1968
<b>SF</b>	\$2017	2017	2017
<b>TF</b>	\$2144	2144	2144
<b>VF</b>	\$2193	2193	2193
<b>30 RF</b>	\$1985	1985	1985
<b>SF</b>	\$2033	2033	2033
<b>TF</b>	\$2162	2162	2162
<b>VF</b>	\$2209	2209	2209

<b>MTB56.24 RF</b>	\$2022	2022	2022
<b>SF</b>	\$2070	2070	2070
<b>TF</b>	\$2199	2199	2199
<b>VF</b>	\$2247	2247	2247
<b>30 RF</b>	\$2040	2040	2040
<b>SF</b>	\$2088	2088	2088
<b>TF</b>	\$2217	2217	2217
<b>VF</b>	\$2265	2265	2265

<b>MTB66.24 RF</b>	\$2022	2022	2022
<b>SF</b>	\$2070	2070	2070
<b>TF</b>	\$2199	2199	2199
<b>VF</b>	\$2247	2247	2247
<b>30 RF</b>	\$2040	2040	2040
<b>SF</b>	\$2088	2088	2088
<b>TF</b>	\$2217	2217	2217
<b>VF</b>	\$2265	2265	2265

### Step 6. Surface Finish

*For smooth paint on smooth steel (S) or smooth paint on textured steel (T)*

Nonmetallic Paint	+\$0
Metallic Paint	+\$100

# Vertical Tower with Wardrobe and Side-Facing Bookcase, Standard Pull *continued*

Sand Texture Paint		
<i>For textured paint on smooth steel (X)</i>		
<b>7L</b>	dune	+\$0
<b>7M</b>	chai	+\$0
<b>7N</b>	grass	+\$0
<b>7U</b>	blue ridge	+\$0
<b>7V</b>	loden	+\$0
<b>7W</b>	napa	+\$0
<b>7Y</b>	sedona	+\$0
<b>7Z</b>	mink	+\$0
<b>8T</b>	gull	+\$0
<b>8Y</b>	moonbeam	+\$0
<b>B4</b>	blue medium	+\$0
<b>ZK</b>	cappuccino	+\$0

Bright Sand Texture Paint		
<i>For textured paint on smooth steel (X)</i>		
<b>91</b>	white	+\$0
<b>CL</b>	cool grey neutral	+\$0
<b>G1</b>	graphite	+\$0
<b>WN</b>	warm grey neutral	+\$0

Step 7. Top			
		<b>24</b>	<b>30</b>
<b>T1</b>	1"-high squared-edge top	+\$0	0
<b>T2</b>	1 1/4"-high squared-edge top	+\$0	0
<b>J3</b>	1 1/4"-high cathedral recut veneer top <sup>A</sup>	+\$204	224
<b>TF</b>	1 1/4"-high wood veneer top <sup>A</sup>	+\$210	231
<b>D1</b>	6 1/2"-high full dome, side-to-side	+\$210	231
<b>D2</b>	6 1/2"-high full dome, front-to-back	+\$210	231
<b>H1</b>	6 1/2"-high half dome, sloping left	+\$210	231
<b>H2</b>	6 1/2"-high half dome, sloping right	+\$210	231
<b>H3</b>	6 1/2"-high half dome, sloping front	+\$210	231
<b>H4</b>	6 1/2"-high half dome, sloping back	+\$210	231
<b>TV1</b>	1 1/8"-high wood veneer top and wood composite edge with oversail front <sup>A</sup>	+\$315	315

Step 8. Veneer Top Finish		
Recut Veneer		
<i>For 1 1/4"-high cathedral recut veneer top (J3)</i>		
<b>DU</b>	cathedral recut natural maple <sup>A</sup>	+\$0
<b>HU</b>	cathedral recut light anigre <sup>A</sup>	+\$0
<b>JU</b>	cathedral recut aged cherry <sup>A</sup>	+\$0
<b>VU</b>	cathedral recut light brown walnut <sup>A</sup>	+\$0
<b>WU</b>	cathedral recut walnut on cherry <sup>A</sup>	+\$0
<b>XU</b>	cathedral recut medium red cherry <sup>A</sup>	+\$0
<b>ZU</b>	cathedral recut chocolate brown sapele <sup>A</sup>	+\$0

Wood Veneer		
<i>For 1 1/4"-high wood veneer top (TF)</i>		
<b>V3</b>	cherry <sup>A</sup>	+\$18
<b>Z3</b>	warm red cherry <sup>A</sup>	+\$18
<b>Z5</b>	maple <sup>A</sup>	+\$18
<b>2U</b>	light brown walnut <sup>A</sup>	+\$24
<b>3U</b>	medium red cherry <sup>A</sup>	+\$24
<b>6U</b>	chocolate brown sapele <sup>A</sup>	+\$24
<b>ED</b>	aged cherry <sup>A</sup>	+\$24
<b>EG</b>	medium brown walnut <sup>A</sup>	+\$24
<b>EK</b>	medium red walnut <sup>A</sup>	+\$24
<b>EY</b>	light anigre <sup>A</sup>	+\$24
<b>UL</b>	natural maple <sup>A</sup>	+\$24
<b>UQ</b>	light cherry <sup>A</sup>	+\$24
<b>UV</b>	red cherry <sup>A</sup>	+\$24
<b>UX</b>	walnut on cherry <sup>A</sup>	+\$24

Wood Veneer		
<i>For 1 1/8"-high wood veneer top and wood composite edge with oversail front (TV1)</i>		
<b>ED</b>	aged cherry <sup>A</sup>	+\$24
<b>EG</b>	medium brown walnut <sup>A</sup>	+\$24
<b>EK</b>	medium red walnut <sup>A</sup>	+\$24
<b>EY</b>	light anigre <sup>A</sup>	+\$24
<b>UL</b>	natural maple <sup>A</sup>	+\$24
<b>UQ</b>	light cherry <sup>A</sup>	+\$24
<b>UV</b>	red cherry <sup>A</sup>	+\$24
<b>UX</b>	walnut on cherry <sup>A</sup>	+\$24

Step 9. Base Height		
<b>B1</b>	1"-high base	+\$0
<b>B2</b>	1 1/2"-high base	+\$0
<b>B3</b>	2 1/4"-high base	+\$0
<b>B4</b>	3 1/4"-high base	+\$0
<b>B5</b>	4 1/4"-high base	+\$30

Vertical Tower with Wardrobe and  
Side-Facing Bookcase, Standard  
Pull *continued*

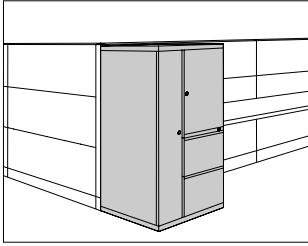
Meridian® Vertical Storage Towers

---

Step 10. Lock		
<b>KA</b>	keyed alike	+\$0
<b>KC</b>	keyed differently, chrome	+\$0
<b>KD</b>	keyed differently, black	+\$0

## Vertical Tower with Wardrobe and Storage Case, Standard Pull

MTV16.  
MTV26.  
MTV36.  
MTV46.  
MTV56.  
MTV66.



### Product Information

#### Description

This freestanding storage tower has a wardrobe and modules for display materials, binders, filing materials, and personal items. It is available in 3 heights and has a wardrobe on 1 side and a storage case and drawers on the other side. Storage cases have 1 locking metal door or 1 nonlocking translucent door. The translucent door has a painted aluminum frame with a brushed aluminum (U1) sloped pull. Drawers, wardrobe, and metal storage case doors have standard pulls. The tower is available in smooth or textured steel with a metal or veneer top. 5 base heights are available; all bases include adjustable glides.

The 24"-wide tower has a 9"-wide wardrobe; the 30"-wide tower has a 15"-wide wardrobe. Both wardrobes include a side-to-side coat rod and lock. Letter-width file drawers include a file compressor; box drawers include an adjustable metal divider. 1 lock controls all drawers.

The 23½"-high storage case includes 1 adjustable shelf to create openings for 1 row of binders and 1 row of display material. The 26¼"- and 27⅝"-high storage cases include 1 adjustable shelf to create openings for 2 rows of binders or display materials. The 35¼"-high storage case includes 2 adjustable shelves to create openings for 2 rows of binders and 1 row of display materials. The 39⅜"-high storage case includes 2 adjustable shelves to create openings for 3 rows of binders. Shelves adjust in 1¼" increments.

#### Notes

Front-facing filing module is the reference point when specifying location of wardrobe and orientation of full- or half-dome top.

2 box drawers may be specified in place of 1 file drawer in predetermined locations.

Dimensional illustrations do not include all possible configurations.

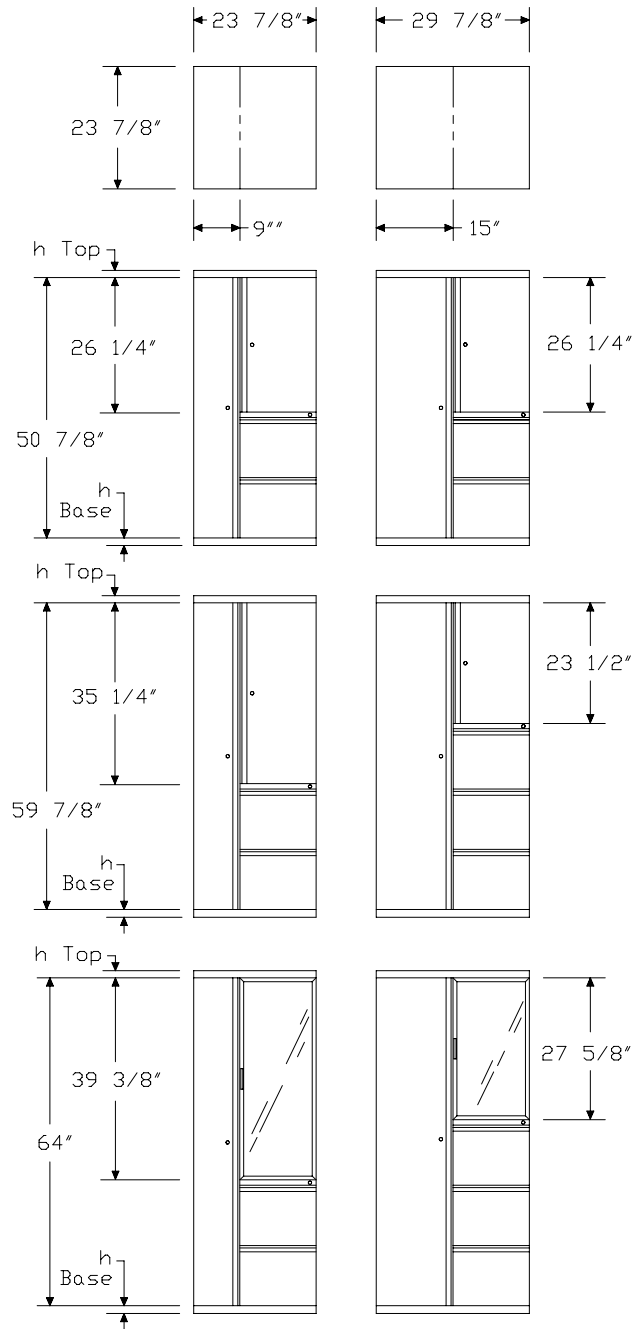
Order optional accessories separately:

- Adjustable shelf for storage case (MTAS.B)
- Drawer divider (73-1567-D)
- File drawer organizer (73-9874-FDO)
- Pencil tray (73-1516-PT)
- Stationery tray (73-7082-SST)

All locks in unit are factory installed and are keyed alike within the unit.

For specific numbering choices, specify KA and order lock plugs separately. See Keyed-Alike Information in Appendices.

### Dimensions



# Vertical Tower with Wardrobe and Storage Case, Standard Pull

continued

Meridian® Vertical Storage Towers

Specification Information	
Step 1.	
<b>MTV</b>	
Step 2. Height/Wardrobe Location	
16.	50 <sup>7</sup> / <sub>8</sub> " high, wardrobe left
26.	50 <sup>7</sup> / <sub>8</sub> " high, wardrobe right
36.	59 <sup>7</sup> / <sub>8</sub> " high, wardrobe left
46.	59 <sup>7</sup> / <sub>8</sub> " high, wardrobe right
56.	64" high, wardrobe left
66.	64" high, wardrobe right
Step 3. Width	
24	24" wide
30	30" wide
Step 4. Drawer Configuration	
<i>For 50<sup>7</sup>/<sub>8</sub>" high, wardrobe left (16.) or 50<sup>7</sup>/<sub>8</sub>" high, wardrobe right (26.)</i>	
R	file/file
S	box/box/file
<i>For 59<sup>7</sup>/<sub>8</sub>" high, wardrobe left (36.), 59<sup>7</sup>/<sub>8</sub>" high, wardrobe right (46.), 64" high, wardrobe left (56.), or 64" high, wardrobe right (66.)</i>	
R	file/file
S	box/box/file
T	file/file/file
V	box/box/file/file
Step 5. Storage Case Door	
F	painted metal door
C	clear translucent door <input type="checkbox"/> A
D	frosted translucent door <input type="checkbox"/> A
Step 6. Paint/Steel Type	
S	smooth paint on smooth steel
T	smooth paint on textured steel
X	textured paint on smooth steel

Prices for Steps 1-6.							
	FS	FT	FX	CS	CT	CX	DS
<b>MTV16.24 R</b>	\$2153	2153	2153	2457	2457	2457	2457
<b>S</b>	\$2202	2202	2202	2505	2505	2505	2505
<b>30 R</b>	\$2171	2171	2171	2473	2473	2473	2473
<b>S</b>	\$2220	2220	2220	2520	2520	2520	2520

<b>MTV26.24 R</b>	\$2153	2153	2153	2457	2457	2457	2457
<b>S</b>	\$2202	2202	2202	2505	2505	2505	2505
<b>30 R</b>	\$2171	2171	2171	2473	2473	2473	2473
<b>S</b>	\$2220	2220	2220	2520	2520	2520	2520
<b>MTV36.24 R</b>	\$2176	2176	2176	2478	2478	2478	2478
<b>S</b>	\$2224	2224	2224	2526	2526	2526	2526
<b>T</b>	\$2327	2327	2327	2629	2629	2629	2629
<b>V</b>	\$2377	2377	2377	2677	2677	2677	2677
<b>30 R</b>	\$2193	2193	2193	2495	2495	2495	2495
<b>S</b>	\$2242	2242	2242	2542	2542	2542	2542
<b>T</b>	\$2344	2344	2344	2645	2645	2645	2645
<b>V</b>	\$2391	2391	2391	2693	2693	2693	2693
<b>MTV46.24 R</b>	\$2176	2176	2176	2478	2478	2478	2478
<b>S</b>	\$2224	2224	2224	2526	2526	2526	2526
<b>T</b>	\$2327	2327	2327	2629	2629	2629	2629
<b>V</b>	\$2377	2377	2377	2677	2677	2677	2677
<b>30 R</b>	\$2193	2193	2193	2495	2495	2495	2495
<b>S</b>	\$2242	2242	2242	2542	2542	2542	2542
<b>T</b>	\$2344	2344	2344	2645	2645	2645	2645
<b>V</b>	\$2391	2391	2391	2693	2693	2693	2693
<b>MTV56.24 R</b>	\$2230	2230	2230	2532	2532	2532	2532
<b>S</b>	\$2279	2279	2279	2581	2581	2581	2581
<b>T</b>	\$2382	2382	2382	2683	2683	2683	2683
<b>V</b>	\$2430	2430	2430	2732	2732	2732	2732
<b>30 R</b>	\$2247	2247	2247	2548	2548	2548	2548
<b>S</b>	\$2295	2295	2295	2597	2597	2597	2597
<b>T</b>	\$2400	2400	2400	2700	2700	2700	2700
<b>V</b>	\$2448	2448	2448	2747	2747	2747	2747
<b>MTV66.24 R</b>	\$2230	2230	2230	2532	2532	2532	2532
<b>S</b>	\$2279	2279	2279	2581	2581	2581	2581
<b>T</b>	\$2382	2382	2382	2683	2683	2683	2683
<b>V</b>	\$2430	2430	2430	2732	2732	2732	2732
<b>30 R</b>	\$2247	2247	2247	2548	2548	2548	2548
<b>S</b>	\$2295	2295	2295	2597	2597	2597	2597
<b>T</b>	\$2400	2400	2400	2700	2700	2700	2700
<b>V</b>	\$2448	2448	2448	2747	2747	2747	2747
						<b>DT</b>	<b>DX</b>
<b>MTV16.24 R</b>						\$2457	2457
<b>S</b>						\$2505	2505
<b>30 R</b>						\$2473	2473
<b>S</b>						\$2520	2520

# Vertical Tower with Wardrobe and Storage Case, Standard Pull

continued

<b>MTV26.24 R</b>	\$2457	2457
<b>S</b>	\$2505	2505
<b>30 R</b>	\$2473	2473
<b>S</b>	\$2520	2520
<b>MTV36.24 R</b>	\$2478	2478
<b>S</b>	\$2526	2526
<b>T</b>	\$2629	2629
<b>V</b>	\$2677	2677
<b>30 R</b>	\$2495	2495
<b>S</b>	\$2542	2542
<b>T</b>	\$2645	2645
<b>V</b>	\$2693	2693
<b>MTV46.24 R</b>	\$2478	2478
<b>S</b>	\$2526	2526
<b>T</b>	\$2629	2629
<b>V</b>	\$2677	2677
<b>30 R</b>	\$2495	2495
<b>S</b>	\$2542	2542
<b>T</b>	\$2645	2645
<b>V</b>	\$2693	2693
<b>MTV56.24 R</b>	\$2532	2532
<b>S</b>	\$2581	2581
<b>T</b>	\$2683	2683
<b>V</b>	\$2732	2732
<b>30 R</b>	\$2548	2548
<b>S</b>	\$2597	2597
<b>T</b>	\$2700	2700
<b>V</b>	\$2747	2747
<b>MTV66.24 R</b>	\$2532	2532
<b>S</b>	\$2581	2581
<b>T</b>	\$2683	2683
<b>V</b>	\$2732	2732
<b>30 R</b>	\$2548	2548
<b>S</b>	\$2597	2597
<b>T</b>	\$2700	2700
<b>V</b>	\$2747	2747

## Step 7. Surface Finish

For smooth paint on smooth steel (S) or smooth paint on textured steel (T)

Nonmetallic Paint	+\$0
Metallic Paint	+\$100

Sand Texture Paint		
For textured paint on smooth steel (X)		
<b>7L</b>	dune	+\$0
<b>7M</b>	chai	+\$0
<b>7N</b>	grass	+\$0
<b>7U</b>	blue ridge	+\$0
<b>7V</b>	loden	+\$0
<b>7W</b>	napa	+\$0
<b>7Y</b>	sedona	+\$0
<b>7Z</b>	mink	+\$0
<b>8T</b>	gull	+\$0
<b>8Y</b>	moonbeam	+\$0
<b>B4</b>	blue medium	+\$0
<b>ZK</b>	cappuccino	+\$0

Bright Sand Texture Paint		
For textured paint on smooth steel (X)		
<b>91</b>	white	+\$0
<b>CL</b>	cool grey neutral	+\$0
<b>G1</b>	graphite	+\$0
<b>WN</b>	warm grey neutral	+\$0

## Step 8. Top

		<b>24</b>	<b>30</b>
<b>T1</b>	1"-high squared-edge top	+\$0	0
<b>T2</b>	1/4"-high squared-edge top	+\$0	0
<b>J3</b>	1/4"-high cathedral recut veneer top <b>A</b>	+\$204	224
<b>TF</b>	1/4"-high wood veneer top <b>A</b>	+\$210	231
<b>D1</b>	6 1/2"-high full dome, side-to-side	+\$210	231
<b>D2</b>	6 1/2"-high full dome, front-to-back	+\$210	231
<b>H1</b>	6 1/2"-high half dome, sloping left	+\$210	231
<b>H2</b>	6 1/2"-high half dome, sloping right	+\$210	231
<b>H3</b>	6 1/2"-high half dome, sloping front	+\$210	231
<b>H4</b>	6 1/2"-high half dome, sloping back	+\$210	231
<b>TV1</b>	1 1/8"-high wood veneer top and wood composite edge with oversail front <b>A</b>	+\$315	315

# Vertical Tower with Wardrobe and Storage Case, Standard Pull

continued

Meridian® Vertical Storage Towers

## Step 9. Veneer Top Finish

### Recut Veneer

For 1<sup>3</sup>/<sub>4</sub>"-high cathedral recut veneer top (J3)

<b>DU</b>	cathedral recut natural maple <input type="checkbox"/> A	+\$0
<b>HU</b>	cathedral recut light anigre <input type="checkbox"/> A	+\$0
<b>JU</b>	cathedral recut aged cherry <input type="checkbox"/> A	+\$0
<b>VU</b>	cathedral recut light brown walnut <input type="checkbox"/> A	+\$0
<b>WU</b>	cathedral recut walnut on cherry <input type="checkbox"/> A	+\$0
<b>XU</b>	cathedral recut medium red cherry <input type="checkbox"/> A	+\$0
<b>ZU</b>	cathedral recut chocolate brown sapele <input type="checkbox"/> A	+\$0

### Wood Veneer

For 1<sup>3</sup>/<sub>4</sub>"-high wood veneer top (TF)

<b>V3</b>	cherry <input type="checkbox"/> A	+\$18
<b>Z3</b>	warm red cherry <input type="checkbox"/> A	+\$18
<b>Z5</b>	maple <input type="checkbox"/> A	+\$18
<b>2U</b>	light brown walnut <input type="checkbox"/> A	+\$24
<b>3U</b>	medium red cherry <input type="checkbox"/> A	+\$24
<b>6U</b>	chocolate brown sapele <input type="checkbox"/> A	+\$24
<b>ED</b>	aged cherry <input type="checkbox"/> A	+\$24
<b>EG</b>	medium brown walnut <input type="checkbox"/> A	+\$24
<b>EK</b>	medium red walnut <input type="checkbox"/> A	+\$24
<b>EY</b>	light anigre <input type="checkbox"/> A	+\$24
<b>UL</b>	natural maple <input type="checkbox"/> A	+\$24
<b>UQ</b>	light cherry <input type="checkbox"/> A	+\$24
<b>UV</b>	red cherry <input type="checkbox"/> A	+\$24
<b>UX</b>	walnut on cherry <input type="checkbox"/> A	+\$24

### Wood Veneer

For 1<sup>1</sup>/<sub>8</sub>"-high wood veneer top and wood composite edge with oversail front (TV1)

<b>ED</b>	aged cherry <input type="checkbox"/> A	+\$24
<b>EG</b>	medium brown walnut <input type="checkbox"/> A	+\$24
<b>EK</b>	medium red walnut <input type="checkbox"/> A	+\$24
<b>EY</b>	light anigre <input type="checkbox"/> A	+\$24
<b>UL</b>	natural maple <input type="checkbox"/> A	+\$24
<b>UQ</b>	light cherry <input type="checkbox"/> A	+\$24
<b>UV</b>	red cherry <input type="checkbox"/> A	+\$24
<b>UX</b>	walnut on cherry <input type="checkbox"/> A	+\$24

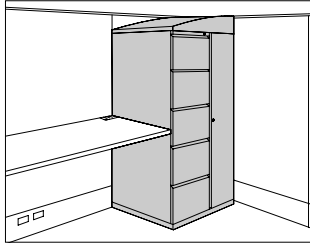
## Step 10. Base Height

<b>B1</b>	1"-high base	+\$0
<b>B2</b>	1 <sup>1</sup> / <sub>2</sub> "-high base	+\$0
<b>B3</b>	2 <sup>1</sup> / <sub>4</sub> "-high base	+\$0
<b>B4</b>	3 <sup>1</sup> / <sub>4</sub> "-high base	+\$0
<b>B5</b>	4 <sup>1</sup> / <sub>4</sub> "-high base	+\$30

## Step 11. Lock

<b>KA</b>	keyed alike	+\$0
<b>KC</b>	keyed differently, chrome	+\$0
<b>KD</b>	keyed differently, black	+\$0

## Vertical Tower with Wardrobe, Bevel Pull



MTN14.  
MTN24.  
MTN34.  
MTN44.  
MTN54.  
MTN64.  
MTN74.  
MTN84.

### Product Information

#### Description

This 24"-wide freestanding storage tower is available in 4 heights and has a wardrobe on 1 side and drawers on the other side. It is available in smooth or textured steel with a metal or veneer top and bevel pulls. 5 base heights are available; all bases include adjustable glides. A counterweight is included in the 24<sup>5</sup>/<sub>8</sub>" towers.

The towers have a 9"-wide wardrobe/briefcase storage area and a lock. Letter-width file drawers include a file compressor; box drawers include an adjustable metal divider. 1 lock controls all drawers. The 24"-high tower has a wardrobe area for storage of personal items or a briefcase; the 36"-high tower has a coat hook for shorter-length coats or sweaters; the 48"- and 59"-high towers have a side-to-side coat rod for coats and jackets. All wardrobes include a lock.

#### Notes

Front-facing filing module is the reference point when specifying location of wardrobe and orientation of full- or half-dome top.

2 box drawers may be specified in place of 1 file drawer in predetermined locations.

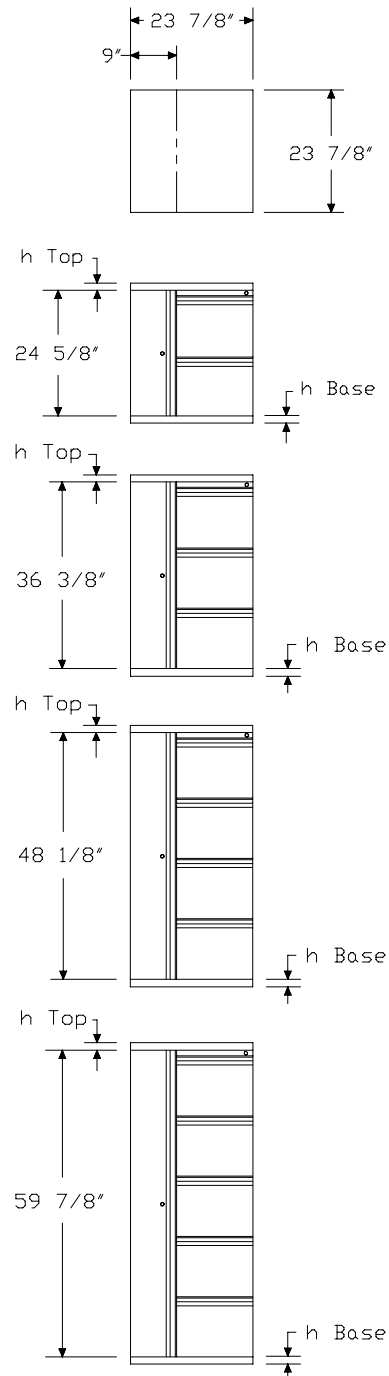
Dimensional illustrations do not include all possible configurations.

Order optional accessories separately:

- Drawer divider (73-1567-D)
- File drawer organizer (73-9874-FDO)
- Pencil tray (73-1516-PT)
- Stationery tray (73-7082-SST)

All locks in unit are factory installed and are keyed alike within unit. For specific numbering choices, specify KA and order lock plugs separately. See Keyed-Alike Information in Appendices.

### Dimensions



# Vertical Tower with Wardrobe, Bevel Pull *continued*

Specification Information				
Step 1.				
<b>MTN</b>				
Step 2. Height/Wardrobe Location				
<b>14.24</b>	24 <sup>5</sup> / <sub>8</sub> " high, wardrobe left			
<b>24.24</b>	24 <sup>5</sup> / <sub>8</sub> " high, wardrobe right			
<b>34.24</b>	36 <sup>3</sup> / <sub>8</sub> " high, wardrobe left			
<b>44.24</b>	36 <sup>3</sup> / <sub>8</sub> " high, wardrobe right			
<b>54.24</b>	48 <sup>1</sup> / <sub>8</sub> " high, wardrobe left			
<b>64.24</b>	48 <sup>1</sup> / <sub>8</sub> " high, wardrobe right			
<b>74.24</b>	59 <sup>7</sup> / <sub>8</sub> " high, wardrobe left			
<b>84.24</b>	59 <sup>7</sup> / <sub>8</sub> " high, wardrobe right			
Step 3. Drawer Configuration/Lock Option				
<i>For 24<sup>5</sup>/<sub>8</sub>" high, wardrobe left (14.24) or 24<sup>5</sup>/<sub>8</sub>" high, wardrobe right (24.24)</i>				
<b>R</b>	file/file, 1 lock			
<b>S</b>	box/box/file, 1 lock			
<i>For 36<sup>3</sup>/<sub>8</sub>" high, wardrobe left (34.24) or 36<sup>3</sup>/<sub>8</sub>" high, wardrobe right (44.24)</i>				
<b>T</b>	file/file/file, 1 lock			
<b>V</b>	box/box/file/file, 1 lock			
<i>For 48<sup>1</sup>/<sub>8</sub>" high, wardrobe left (54.24) or 48<sup>1</sup>/<sub>8</sub>" high, wardrobe right (64.24)</i>				
<b>W</b>	file/file/file/file, 1 lock			
<b>X</b>	file/box/box/file/file, 1 lock			
<i>For 59<sup>7</sup>/<sub>8</sub>" high, wardrobe left (74.24) or 59<sup>7</sup>/<sub>8</sub>" high, wardrobe right (84.24)</i>				
<b>Y</b>	file/file/file/file/file, 1 lock			
<b>Z</b>	file/file/box/box/file/file, 1 lock			
Step 4. Paint/Steel Type				
<b>S</b>	smooth paint on smooth steel			
<b>T</b>	smooth paint on textured steel			
<b>X</b>	textured paint on smooth steel			
Prices for Steps 1-4.				
		<b>S</b>	<b>T</b>	<b>X</b>
<b>MTN14.24</b>	<b>R</b>	\$1200	1200	1200
	<b>S</b>	\$1248	1248	1248

<b>MTN24.24</b>	<b>R</b>	\$1200	1200	1200
	<b>S</b>	\$1248	1248	1248
<b>MTN34.24</b>	<b>T</b>	\$1526	1526	1526
	<b>V</b>	\$1574	1574	1574
<b>MTN44.24</b>	<b>T</b>	\$1526	1526	1526
	<b>V</b>	\$1574	1574	1574
<b>MTN54.24</b>	<b>W</b>	\$2179	2179	2179
	<b>X</b>	\$2227	2227	2227
<b>MTN64.24</b>	<b>W</b>	\$2179	2179	2179
	<b>X</b>	\$2227	2227	2227
<b>MTN74.24</b>	<b>Y</b>	\$2506	2506	2506
	<b>Z</b>	\$2554	2554	2554
<b>MTN84.24</b>	<b>Y</b>	\$2506	2506	2506
	<b>Z</b>	\$2554	2554	2554
Step 5. Surface Finish				
<i>For smooth paint on smooth steel (S) or smooth paint on textured steel (T)</i>				
Nonmetallic Paint				+\$0
Metallic Paint				+\$100
Sand Texture Paint				
<i>For textured paint on smooth steel (X)</i>				
<b>7L</b>	dune			+\$0
<b>7M</b>	chai			+\$0
<b>7N</b>	grass			+\$0
<b>7U</b>	blue ridge			+\$0
<b>7V</b>	loden			+\$0
<b>7W</b>	napa			+\$0
<b>7Y</b>	sedona			+\$0
<b>7Z</b>	mink			+\$0
<b>8T</b>	gull			+\$0
<b>8Y</b>	moonbeam			+\$0
<b>B4</b>	blue medium			+\$0
<b>ZK</b>	cappuccino			+\$0

# Vertical Tower with Wardrobe, Bevel Pull *continued*

## Bright Sand Texture Paint

*For textured paint on smooth steel (X)*

<b>91</b>	white	+\$0
<b>CL</b>	cool grey neutral	+\$0
<b>G1</b>	graphite	+\$0
<b>WN</b>	warm grey neutral	+\$0

## Step 6. Top

<b>T1</b>	1"-high squared-edge top	+\$0
<b>T2</b>	1 1/4"-high squared-edge top	+\$0
<b>J3</b>	1 1/4"-high cathedral recut veneer top <span style="border: 1px solid black; padding: 0 2px;">A</span>	+\$204
<b>TF</b>	1 1/4"-high wood veneer top <span style="border: 1px solid black; padding: 0 2px;">A</span>	+\$210
<b>D1</b>	6 1/2"-high full dome, side-to-side	+\$210
<b>D2</b>	6 1/2"-high full dome, front-to-back	+\$210
<b>H1</b>	6 1/2"-high half dome, sloping left	+\$210
<b>H2</b>	6 1/2"-high half dome, sloping right	+\$210
<b>H3</b>	6 1/2"-high half dome, sloping front	+\$210
<b>H4</b>	6 1/2"-high half dome, sloping back	+\$210
<b>TV1</b>	1 1/8"-high wood veneer top and wood composite edge with oversail front <span style="border: 1px solid black; padding: 0 2px;">A</span>	+\$315

## Step 7. Veneer Top Finish

### Recut Veneer

*For 1 1/4"-high cathedral recut veneer top (J3)*

<b>DU</b>	cathedral recut natural maple <span style="border: 1px solid black; padding: 0 2px;">A</span>	+\$0
<b>HU</b>	cathedral recut light anigre <span style="border: 1px solid black; padding: 0 2px;">A</span>	+\$0
<b>JU</b>	cathedral recut aged cherry <span style="border: 1px solid black; padding: 0 2px;">A</span>	+\$0
<b>VU</b>	cathedral recut light brown walnut <span style="border: 1px solid black; padding: 0 2px;">A</span>	+\$0
<b>WU</b>	cathedral recut walnut on cherry <span style="border: 1px solid black; padding: 0 2px;">A</span>	+\$0
<b>XU</b>	cathedral recut medium red cherry <span style="border: 1px solid black; padding: 0 2px;">A</span>	+\$0
<b>ZU</b>	cathedral recut chocolate brown sapele <span style="border: 1px solid black; padding: 0 2px;">A</span>	+\$0

## Wood Veneer

*For 1 1/4"-high wood veneer top (TF)*

<b>V3</b>	cherry <span style="border: 1px solid black; padding: 0 2px;">A</span>	+\$18
<b>Z3</b>	warm red cherry <span style="border: 1px solid black; padding: 0 2px;">A</span>	+\$18
<b>Z5</b>	maple <span style="border: 1px solid black; padding: 0 2px;">A</span>	+\$18
<b>2U</b>	light brown walnut <span style="border: 1px solid black; padding: 0 2px;">A</span>	+\$24
<b>3U</b>	medium red cherry <span style="border: 1px solid black; padding: 0 2px;">A</span>	+\$24
<b>6U</b>	chocolate brown sapele <span style="border: 1px solid black; padding: 0 2px;">A</span>	+\$24
<b>ED</b>	aged cherry <span style="border: 1px solid black; padding: 0 2px;">A</span>	+\$24
<b>EG</b>	medium brown walnut <span style="border: 1px solid black; padding: 0 2px;">A</span>	+\$24
<b>EK</b>	medium red walnut <span style="border: 1px solid black; padding: 0 2px;">A</span>	+\$24
<b>EY</b>	light anigre <span style="border: 1px solid black; padding: 0 2px;">A</span>	+\$24
<b>UL</b>	natural maple <span style="border: 1px solid black; padding: 0 2px;">A</span>	+\$24
<b>UQ</b>	light cherry <span style="border: 1px solid black; padding: 0 2px;">A</span>	+\$24
<b>UV</b>	red cherry <span style="border: 1px solid black; padding: 0 2px;">A</span>	+\$24
<b>UX</b>	walnut on cherry <span style="border: 1px solid black; padding: 0 2px;">A</span>	+\$24

## Wood Veneer

*For 1 1/8"-high wood veneer top and wood composite edge with oversail front (TV1)*

<b>ED</b>	aged cherry <span style="border: 1px solid black; padding: 0 2px;">A</span>	+\$24
<b>EG</b>	medium brown walnut <span style="border: 1px solid black; padding: 0 2px;">A</span>	+\$24
<b>EK</b>	medium red walnut <span style="border: 1px solid black; padding: 0 2px;">A</span>	+\$24
<b>EY</b>	light anigre <span style="border: 1px solid black; padding: 0 2px;">A</span>	+\$24
<b>UL</b>	natural maple <span style="border: 1px solid black; padding: 0 2px;">A</span>	+\$24
<b>UQ</b>	light cherry <span style="border: 1px solid black; padding: 0 2px;">A</span>	+\$24
<b>UV</b>	red cherry <span style="border: 1px solid black; padding: 0 2px;">A</span>	+\$24
<b>UX</b>	walnut on cherry <span style="border: 1px solid black; padding: 0 2px;">A</span>	+\$24

## Step 8. Base Height

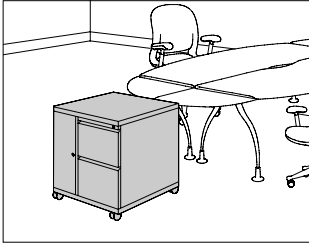
<b>B1</b>	1"-high base	+\$0
<b>B2</b>	1 1/2"-high base	+\$0
<b>B3</b>	2 1/4"-high base	+\$0
<b>B4</b>	3 1/4"-high base	+\$0
<b>B5</b>	4 1/4"-high base	+\$30

## Step 9. Lock

<b>KA</b>	keyed alike	+\$0
<b>KC</b>	keyed differently, chrome	+\$0
<b>KD</b>	keyed differently, black	+\$0

## Mobile Vertical Tower with Wardrobe, Bevel Pull

MTC14.  
MTC24.  
MTC34.  
MTC44.  
MTC54.  
MTC64.



### Product Information

#### Description

This 24"-wide mobile storage tower is available in 3 heights and has a wardrobe on 1 side and drawers on the other side. It is available in smooth or textured steel with a metal or veneer top and bevel pulls. The 5½"-high caster base includes a 1½"-high metal frame with 4 4"-diameter casters; 2 casters include a brake. A counterweight is included in all towers.

The towers have a 9"-wide wardrobe/briefcase storage area and a lock. Letter-width file drawers include a file compressor; box drawers include an adjustable metal divider. 1 lock controls all drawers. The 24"-high tower has a wardrobe area for storage of personal items or a briefcase; the 36"-high tower has a coat hook for shorter-length coats or sweaters; the 48"-high tower has a side-to-side coat rod for coats and jackets. All wardrobes include a lock.

#### Notes

Front-facing filing module is the reference point when specifying location of wardrobe and orientation of full- or half-dome top.

Casters must be field installed.

2 box drawers may be specified in place of 1 file drawer in predetermined locations.

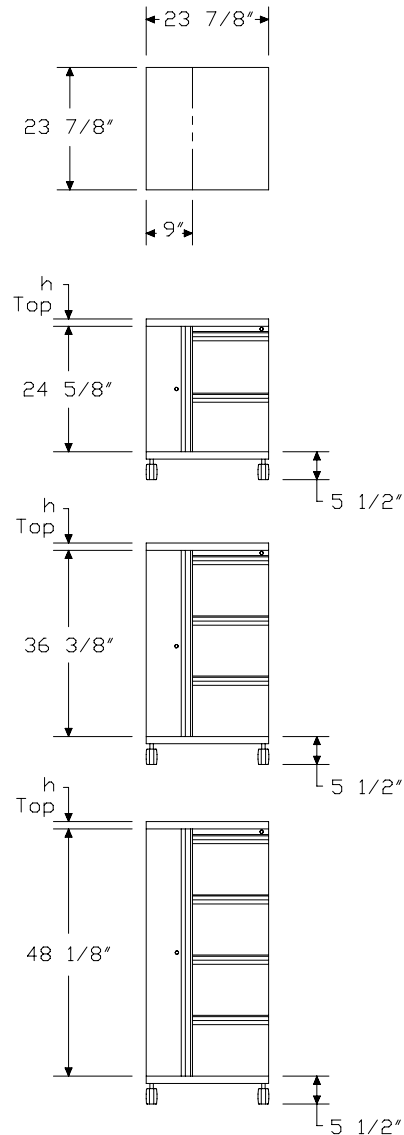
Dimensional illustrations do not include all possible configurations.

Order optional accessories separately:

- Drawer divider (73-1567-D)
- File drawer organizer (73-9874-FDO)
- Pencil tray (73-1516-PT)
- Stationery tray (73-7082-SST)

All locks in unit are factory installed and are keyed alike within unit. For specific numbering choices, specify KA and order lock plugs separately. See Keyed-Alike Information in Appendices.

### Dimensions



# Mobile Vertical Tower with Wardrobe, Bevel Pull *continued*

## Specification Information

Step 1.

**MTC**

Step 2. Height/Wardrobe Location

<b>14.24</b>	24 <sup>5</sup> / <sub>8</sub> " high, wardrobe left
<b>24.24</b>	24 <sup>5</sup> / <sub>8</sub> " high, wardrobe right
<b>34.24</b>	36 <sup>3</sup> / <sub>8</sub> " high, wardrobe left
<b>44.24</b>	36 <sup>3</sup> / <sub>8</sub> " high, wardrobe right
<b>54.24</b>	48 <sup>1</sup> / <sub>8</sub> " high, wardrobe left
<b>64.24</b>	48 <sup>1</sup> / <sub>8</sub> " high, wardrobe right

Step 3. Drawer Configuration/Lock Option

*For 24<sup>5</sup>/<sub>8</sub>" high, wardrobe left (14.24) or 24<sup>5</sup>/<sub>8</sub>" high, wardrobe right (24.24)*

<b>R</b>	file/file, 1 lock
<b>S</b>	box/box/file, 1 lock

*For 36<sup>3</sup>/<sub>8</sub>" high, wardrobe left (34.24) or 36<sup>3</sup>/<sub>8</sub>" high, wardrobe right (44.24)*

<b>T</b>	file/file/file, 1 lock
<b>V</b>	box/box/file/file, 1 lock

*For 48<sup>1</sup>/<sub>8</sub>" high, wardrobe left (54.24) or 48<sup>1</sup>/<sub>8</sub>" high, wardrobe right (64.24)*

<b>W</b>	file/file/file/file, 1 lock
<b>X</b>	file/box/box/file/file, 1 lock

Step 4. Paint/Steel Type

<b>S</b>	smooth paint on smooth steel
<b>T</b>	smooth paint on textured steel
<b>X</b>	textured paint on smooth steel

Prices for Steps 1-4.

	<b>S</b>	<b>T</b>	<b>X</b>
<b>MTC14.24 R</b>	\$1381	1381	1381
<b>S</b>	\$1428	1428	1428
<b>MTC24.24 R</b>	\$1381	1381	1381
<b>S</b>	\$1428	1428	1428
<b>MTC34.24 T</b>	\$1708	1708	1708
<b>V</b>	\$1756	1756	1756
<b>MTC44.24 T</b>	\$1708	1708	1708
<b>V</b>	\$1756	1756	1756

<b>MTC54.24 W</b>	\$2361	2361	2361
<b>X</b>	\$2409	2409	2409

<b>MTC64.24 W</b>	\$2361	2361	2361
<b>X</b>	\$2409	2409	2409

Step 5. Surface Finish

*For smooth paint on smooth steel (S) or smooth paint on textured steel (T)*

Nonmetallic Paint			+\$0
Metallic Paint			+\$100

Sand Texture Paint

*For textured paint on smooth steel (X)*

<b>7L</b>	dune	+\$0
<b>7M</b>	chai	+\$0
<b>7N</b>	grass	+\$0
<b>7U</b>	blue ridge	+\$0
<b>7V</b>	loden	+\$0
<b>7W</b>	napa	+\$0
<b>7Y</b>	sedona	+\$0
<b>7Z</b>	mink	+\$0
<b>8T</b>	gull	+\$0
<b>8Y</b>	moonbeam	+\$0
<b>B4</b>	blue medium	+\$0
<b>ZK</b>	cappuccino	+\$0

Bright Sand Texture Paint

*For textured paint on smooth steel (X)*

<b>91</b>	white	+\$0
<b>CL</b>	cool grey neutral	+\$0
<b>G1</b>	graphite	+\$0
<b>WN</b>	warm grey neutral	+\$0

# Mobile Vertical Tower with Wardrobe, Bevel Pull *continued*

Step 6. Top		
<b>T1</b>	1"-high squared-edge top	+\$0
<b>T2</b>	1 1/4"-high squared-edge top	+\$0
<b>J3</b>	1 1/4"-high cathedral recut veneer top <span style="border: 1px solid black; padding: 0 2px;">A</span>	+\$204
<b>TF</b>	1 1/4"-high wood veneer top <span style="border: 1px solid black; padding: 0 2px;">A</span>	+\$210
<b>D1</b>	6 1/2"-high full dome, side-to-side	+\$210
<b>D2</b>	6 1/2"-high full dome, front-to-back	+\$210
<b>H1</b>	6 1/2"-high half dome, sloping left	+\$210
<b>H2</b>	6 1/2"-high half dome, sloping right	+\$210
<b>H3</b>	6 1/2"-high half dome, sloping front	+\$210
<b>H4</b>	6 1/2"-high half dome, sloping back	+\$210
<b>TV1</b>	1 1/8"-high wood veneer top and wood composite edge with oversail front <span style="border: 1px solid black; padding: 0 2px;">A</span>	+\$315

## Step 7. Veneer Top Finish

### Recut Veneer

*For 1 1/4"-high cathedral recut veneer top (J3)*

<b>DU</b>	cathedral recut natural maple <span style="border: 1px solid black; padding: 0 2px;">A</span>	+\$0
<b>HU</b>	cathedral recut light anigre <span style="border: 1px solid black; padding: 0 2px;">A</span>	+\$0
<b>JU</b>	cathedral recut aged cherry <span style="border: 1px solid black; padding: 0 2px;">A</span>	+\$0
<b>VU</b>	cathedral recut light brown walnut <span style="border: 1px solid black; padding: 0 2px;">A</span>	+\$0
<b>WU</b>	cathedral recut walnut on cherry <span style="border: 1px solid black; padding: 0 2px;">A</span>	+\$0
<b>XU</b>	cathedral recut medium red cherry <span style="border: 1px solid black; padding: 0 2px;">A</span>	+\$0
<b>ZU</b>	cathedral recut chocolate brown sapele <span style="border: 1px solid black; padding: 0 2px;">A</span>	+\$0

### Wood Veneer

*For 1 1/4"-high wood veneer top (TF)*

<b>V3</b>	cherry <span style="border: 1px solid black; padding: 0 2px;">A</span>	+\$18
<b>Z3</b>	warm red cherry <span style="border: 1px solid black; padding: 0 2px;">A</span>	+\$18
<b>Z5</b>	maple <span style="border: 1px solid black; padding: 0 2px;">A</span>	+\$18
<b>2U</b>	light brown walnut <span style="border: 1px solid black; padding: 0 2px;">A</span>	+\$24
<b>3U</b>	medium red cherry <span style="border: 1px solid black; padding: 0 2px;">A</span>	+\$24
<b>6U</b>	chocolate brown sapele <span style="border: 1px solid black; padding: 0 2px;">A</span>	+\$24
<b>ED</b>	aged cherry <span style="border: 1px solid black; padding: 0 2px;">A</span>	+\$24
<b>EG</b>	medium brown walnut <span style="border: 1px solid black; padding: 0 2px;">A</span>	+\$24
<b>EK</b>	medium red walnut <span style="border: 1px solid black; padding: 0 2px;">A</span>	+\$24
<b>EY</b>	light anigre <span style="border: 1px solid black; padding: 0 2px;">A</span>	+\$24
<b>UL</b>	natural maple <span style="border: 1px solid black; padding: 0 2px;">A</span>	+\$24
<b>UQ</b>	light cherry <span style="border: 1px solid black; padding: 0 2px;">A</span>	+\$24
<b>UV</b>	red cherry <span style="border: 1px solid black; padding: 0 2px;">A</span>	+\$24
<b>UX</b>	walnut on cherry <span style="border: 1px solid black; padding: 0 2px;">A</span>	+\$24

### Wood Veneer

*For 1 1/8"-high wood veneer top and wood composite edge with oversail front (TV1)*

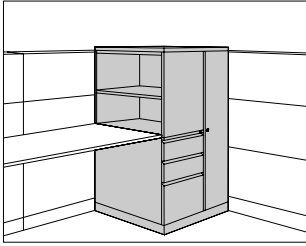
<b>ED</b>	aged cherry <span style="border: 1px solid black; padding: 0 2px;">A</span>	+\$24
<b>EG</b>	medium brown walnut <span style="border: 1px solid black; padding: 0 2px;">A</span>	+\$24
<b>EK</b>	medium red walnut <span style="border: 1px solid black; padding: 0 2px;">A</span>	+\$24
<b>EY</b>	light anigre <span style="border: 1px solid black; padding: 0 2px;">A</span>	+\$24
<b>UL</b>	natural maple <span style="border: 1px solid black; padding: 0 2px;">A</span>	+\$24
<b>UQ</b>	light cherry <span style="border: 1px solid black; padding: 0 2px;">A</span>	+\$24
<b>UV</b>	red cherry <span style="border: 1px solid black; padding: 0 2px;">A</span>	+\$24
<b>UX</b>	walnut on cherry <span style="border: 1px solid black; padding: 0 2px;">A</span>	+\$24

### Step 8. Lock

<b>KA</b>	keyed alike	+\$0
<b>KC</b>	keyed differently, chrome	+\$0
<b>KD</b>	keyed differently, black	+\$0

## Vertical Tower with Wardrobe and Side-Facing Bookcase, Bevel Pull

MTB14.  
MTB24.  
MTB34.  
MTB44.  
MTB54.  
MTB64.



### Product Information

#### Description

This freestanding storage tower has a wardrobe and modules for display materials, binders, filing materials, and personal items. It is available in 3 heights and has a wardrobe on 1 side and a side-facing bookcase and drawers on the other side. The tower is available in smooth or textured steel. The tower has a metal or veneer top and bevel pulls. 5 base heights are available; all bases include adjustable glides.

The 24"-wide tower has a 9"-wide wardrobe; the 30"-wide tower has a 15"-wide wardrobe. Both wardrobes include a side-to-side coat rod and lock. Letter-width file drawers include a file compressor; box drawers include an adjustable metal divider. 1 lock controls all drawers.

The 23½"-high bookcase includes 1 adjustable shelf to create openings for 1 row of binders and 1 row of display material. The 26¼"- and 27⅝"-high bookcases include 1 adjustable shelf to create openings for 2 rows of binders or display materials. The 35¼"-high bookcase includes 2 adjustable shelves to create openings for 2 rows of binders and 1 row of display materials. The 39⅜"-high bookcase includes 2 adjustable shelves to create openings for 3 rows of binders. Shelves adjust in 1¼" increments.

#### Notes

Front-facing filing module is the reference point when specifying location of wardrobe and orientation of full- or half-dome top.

When specifying tower with 2 file drawers (R) and aligning bookcase with standard 29"-high work surface, specify 3¼"-high base (B4).

2 box drawers may be specified in place of 1 file drawer in predetermined locations.

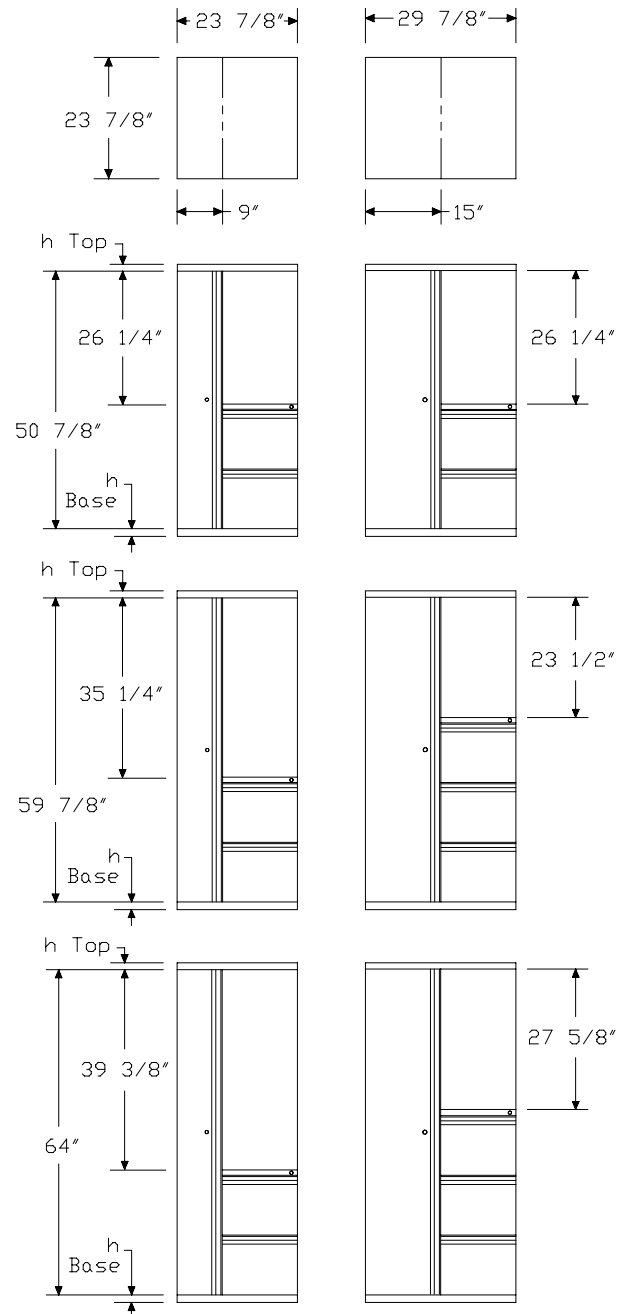
Dimensional illustrations do not include all possible configurations.

Order optional accessories separately:

- Adjustable shelf for side-facing bookcase (MTAS.A)
- Drawer divider (73-1567-D)
- File drawer organizer (73-9874-FDO)
- Pencil tray (73-1516-PT)
- Stationery tray (73-7082-SST)

All locks in unit are factory installed and are keyed alike within unit. For specific numbering choices, specify KA and order lock plugs separately. See Keyed-Alike Information in Appendices.

### Dimensions



# Vertical Tower with Wardrobe and Side-Facing Bookcase, Bevel Pull

continued

Meridian® Vertical Storage Towers

## Specification Information

### Step 1.

**MTB**

### Step 2. Height/Wardrobe Location

<b>14.</b>	50 <sup>7</sup> / <sub>8</sub> " high, wardrobe left
<b>24.</b>	50 <sup>7</sup> / <sub>8</sub> " high, wardrobe right
<b>34.</b>	59 <sup>7</sup> / <sub>8</sub> " high, wardrobe left
<b>44.</b>	59 <sup>7</sup> / <sub>8</sub> " high, wardrobe right
<b>54.</b>	64" high, wardrobe left
<b>64.</b>	64" high, wardrobe right

### Step 3. Width

<b>24</b>	24" wide
<b>30</b>	30" wide

### Step 4. Drawer Configuration

*For 50<sup>7</sup>/<sub>8</sub>" high, wardrobe left (14.) or 50<sup>7</sup>/<sub>8</sub>" high, wardrobe right (24.)*

<b>RF</b>	file/file
<b>SF</b>	box/box/file

*For 59<sup>7</sup>/<sub>8</sub>" high, wardrobe left (34.), 59<sup>7</sup>/<sub>8</sub>" high, wardrobe right (44.), 64" high, wardrobe left (54.), or 64" high, wardrobe right (64.)*

<b>RF</b>	file/file
<b>SF</b>	box/box/file
<b>TF</b>	file/file/file
<b>VF</b>	box/box/file/file

### Step 5. Paint/Steel Type

<b>S</b>	smooth paint on smooth steel
<b>T</b>	smooth paint on textured steel
<b>X</b>	textured paint on smooth steel

### Prices for Steps 1-5.

	<b>S</b>	<b>T</b>	<b>X</b>
<b>MTB14.24 RF</b>	\$1946	1946	1946
<b>SF</b>	\$1994	1994	1994
<b>30 RF</b>	\$1964	1964	1964
<b>SF</b>	\$2012	2012	2012
<b>MTB24.24 RF</b>	\$1946	1946	1946
<b>SF</b>	\$1994	1994	1994
<b>30 RF</b>	\$1964	1964	1964
<b>SF</b>	\$2012	2012	2012

<b>MTB34.24 RF</b>	\$1968	1968	1968
<b>SF</b>	\$2017	2017	2017
<b>TF</b>	\$2144	2144	2144
<b>VF</b>	\$2193	2193	2193
<b>30 RF</b>	\$1985	1985	1985
<b>SF</b>	\$2033	2033	2033
<b>TF</b>	\$2162	2162	2162
<b>VF</b>	\$2209	2209	2209

<b>MTB44.24 RF</b>	\$1968	1968	1968
<b>SF</b>	\$2017	2017	2017
<b>TF</b>	\$2144	2144	2144
<b>VF</b>	\$2193	2193	2193
<b>30 RF</b>	\$1985	1985	1985
<b>SF</b>	\$2033	2033	2033
<b>TF</b>	\$2162	2162	2162
<b>VF</b>	\$2209	2209	2209

<b>MTB54.24 RF</b>	\$2022	2022	2022
<b>SF</b>	\$2070	2070	2070
<b>TF</b>	\$2199	2199	2199
<b>VF</b>	\$2247	2247	2247
<b>30 RF</b>	\$2040	2040	2040
<b>SF</b>	\$2088	2088	2088
<b>TF</b>	\$2217	2217	2217
<b>VF</b>	\$2265	2265	2265

<b>MTB64.24 RF</b>	\$2022	2022	2022
<b>SF</b>	\$2070	2070	2070
<b>TF</b>	\$2199	2199	2199
<b>VF</b>	\$2247	2247	2247
<b>30 RF</b>	\$2040	2040	2040
<b>SF</b>	\$2088	2088	2088
<b>TF</b>	\$2217	2217	2217
<b>VF</b>	\$2265	2265	2265

### Step 6. Surface Finish

*For smooth paint on smooth steel (S) or smooth paint on textured steel (T)*

Nonmetallic Paint	+\$0
Metallic Paint	+\$100

# Vertical Tower with Wardrobe and Side-Facing Bookcase, Bevel Pull

continued

Sand Texture Paint		
<i>For textured paint on smooth steel (X)</i>		
<b>7L</b>	dune	+\$0
<b>7M</b>	chai	+\$0
<b>7N</b>	grass	+\$0
<b>7U</b>	blue ridge	+\$0
<b>7V</b>	loden	+\$0
<b>7W</b>	napa	+\$0
<b>7Y</b>	sedona	+\$0
<b>7Z</b>	mink	+\$0
<b>8T</b>	gull	+\$0
<b>8Y</b>	moonbeam	+\$0
<b>B4</b>	blue medium	+\$0
<b>ZK</b>	cappuccino	+\$0

Bright Sand Texture Paint		
<i>For textured paint on smooth steel (X)</i>		
<b>91</b>	white	+\$0
<b>CL</b>	cool grey neutral	+\$0
<b>G1</b>	graphite	+\$0
<b>WN</b>	warm grey neutral	+\$0

Step 7. Top			
		<b>24</b>	<b>30</b>
<b>T1</b>	1"-high squared-edge top	+\$0	0
<b>T2</b>	1 1/4"-high squared-edge top	+\$0	0
<b>J3</b>	1 1/4"-high cathedral recut veneer top <sup>A</sup>	+\$204	224
<b>TF</b>	1 1/4"-high wood veneer top <sup>A</sup>	+\$210	231
<b>D1</b>	6 1/2"-high full dome, side-to-side	+\$210	231
<b>D2</b>	6 1/2"-high full dome, front-to-back	+\$210	231
<b>H1</b>	6 1/2"-high half dome, sloping left	+\$210	231
<b>H2</b>	6 1/2"-high half dome, sloping right	+\$210	231
<b>H3</b>	6 1/2"-high half dome, sloping front	+\$210	231
<b>H4</b>	6 1/2"-high half dome, sloping back	+\$210	231
<b>TV1</b>	1 1/8"-high wood veneer top and wood composite edge with oversail front <sup>A</sup>	+\$315	315

Step 8. Veneer Top Finish		
Recut Veneer		
<i>For 1 1/4"-high cathedral recut veneer top (J3)</i>		
<b>DU</b>	cathedral recut natural maple <sup>A</sup>	+\$0
<b>HU</b>	cathedral recut light anigre <sup>A</sup>	+\$0
<b>JU</b>	cathedral recut aged cherry <sup>A</sup>	+\$0
<b>VU</b>	cathedral recut light brown walnut <sup>A</sup>	+\$0
<b>WU</b>	cathedral recut walnut on cherry <sup>A</sup>	+\$0
<b>XU</b>	cathedral recut medium red cherry <sup>A</sup>	+\$0
<b>ZU</b>	cathedral recut chocolate brown sapele <sup>A</sup>	+\$0

Wood Veneer		
<i>For 1 1/4"-high wood veneer top (TF)</i>		
<b>V3</b>	cherry <sup>A</sup>	+\$18
<b>Z3</b>	warm red cherry <sup>A</sup>	+\$18
<b>Z5</b>	maple <sup>A</sup>	+\$18
<b>2U</b>	light brown walnut <sup>A</sup>	+\$24
<b>3U</b>	medium red cherry <sup>A</sup>	+\$24
<b>6U</b>	chocolate brown sapele <sup>A</sup>	+\$24
<b>ED</b>	aged cherry <sup>A</sup>	+\$24
<b>EG</b>	medium brown walnut <sup>A</sup>	+\$24
<b>EK</b>	medium red walnut <sup>A</sup>	+\$24
<b>EY</b>	light anigre <sup>A</sup>	+\$24
<b>UL</b>	natural maple <sup>A</sup>	+\$24
<b>UQ</b>	light cherry <sup>A</sup>	+\$24
<b>UV</b>	red cherry <sup>A</sup>	+\$24
<b>UX</b>	walnut on cherry <sup>A</sup>	+\$24

Wood Veneer		
<i>For 1 1/8"-high wood veneer top and wood composite edge with oversail front (TV1)</i>		
<b>ED</b>	aged cherry <sup>A</sup>	+\$24
<b>EG</b>	medium brown walnut <sup>A</sup>	+\$24
<b>EK</b>	medium red walnut <sup>A</sup>	+\$24
<b>EY</b>	light anigre <sup>A</sup>	+\$24
<b>UL</b>	natural maple <sup>A</sup>	+\$24
<b>UQ</b>	light cherry <sup>A</sup>	+\$24
<b>UV</b>	red cherry <sup>A</sup>	+\$24
<b>UX</b>	walnut on cherry <sup>A</sup>	+\$24

Step 9. Base Height		
<b>B1</b>	1"-high base	+\$0
<b>B2</b>	1 1/2"-high base	+\$0
<b>B3</b>	2 1/4"-high base	+\$0
<b>B4</b>	3 1/4"-high base	+\$0
<b>B5</b>	4 1/4"-high base	+\$30

# Vertical Tower with Wardrobe and Side-Facing Bookcase, Bevel Pull

continued

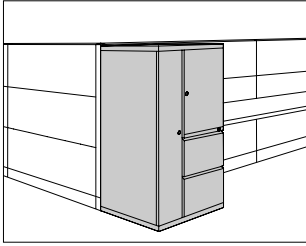
Meridian® Vertical Storage Towers

---

Step 10. Lock		
<b>KA</b>	keyed alike	+\$0
<b>KC</b>	keyed differently, chrome	+\$0
<b>KD</b>	keyed differently, black	+\$0

## Vertical Tower with Wardrobe and Storage Case, Bevel Pull

MTV14.  
MTV24.  
MTV34.  
MTV44.  
MTV54.  
MTV64.



### Product Information

#### Description

This freestanding storage tower has a wardrobe and modules for display materials, binders, filing materials, and personal items. It is available in 3 heights and has a wardrobe on 1 side and a storage case and drawers on the other side. Storage cases have 1 locking metal door or 1 nonlocking translucent door. The translucent door has a painted aluminum frame with a brushed aluminum (U1) sloped pull. Drawers, wardrobe, and metal storage case doors have bevel pulls. The tower is available in smooth or textured steel with a metal or veneer top. 5 base heights are available; all bases include adjustable glides.

The 24"-wide tower has a 9"-wide wardrobe; the 30"-wide tower has a 15"-wide wardrobe. Both wardrobes include a side-to-side coat rod and lock. Letter-width file drawers include a file compressor; box drawers include an adjustable metal divider. 1 lock controls all drawers.

The 23½"-high storage case includes 1 adjustable shelf to create openings for 1 row of binders and 1 row of display material. The 26¼"- and 27⅝"-high storage cases include 1 adjustable shelf to create openings for 2 rows of binders or display materials. The 35¼"-high storage case includes 2 adjustable shelves to create openings for 2 rows of binders and 1 row of display materials. The 39⅜"-high storage case includes 2 adjustable shelves to create openings for 3 rows of binders. Shelves adjust in 1¼" increments.

#### Notes

Front-facing filing module is the reference point when specifying location of wardrobe and orientation of full- or half-dome top.

2 box drawers may be specified in place of 1 file drawer in predetermined locations.

Dimensional illustrations do not include all possible configurations.

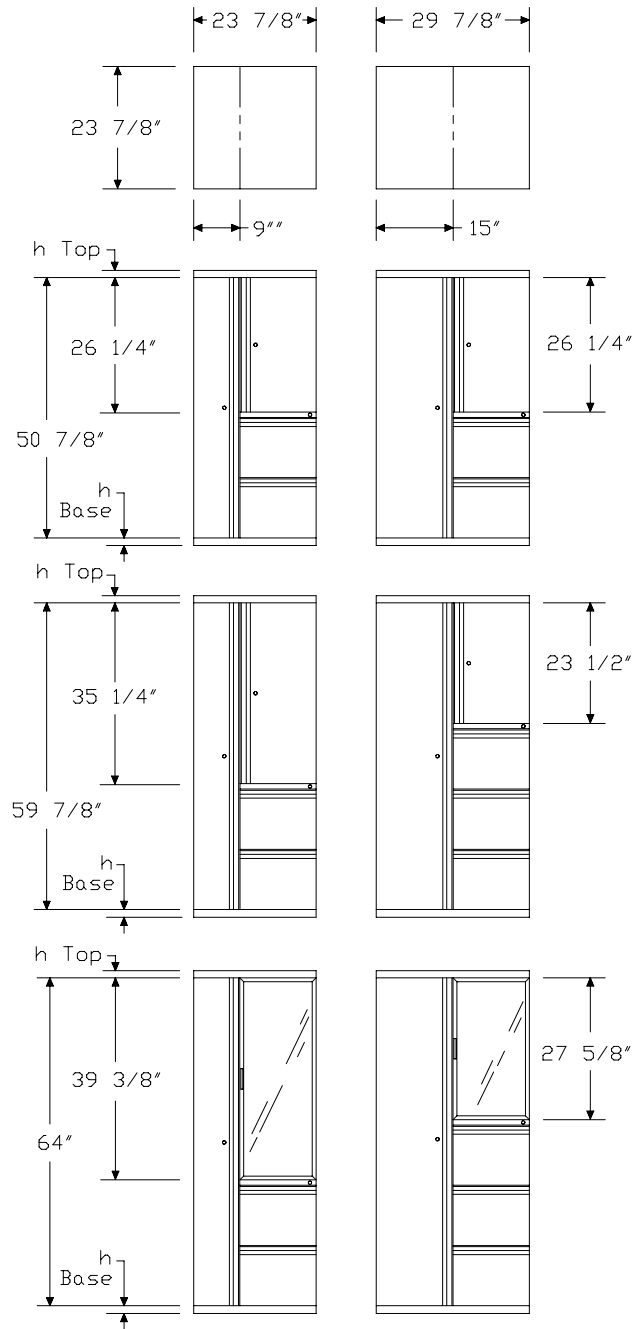
Order optional accessories separately:

- Adjustable shelf for storage case (MTAS.B)
- Drawer divider (73-1567-D)
- File drawer organizer (73-9874-FDO)
- Pencil tray (73-1516-PT)
- Stationery tray (73-7082-SST)

All locks in unit are factory installed and are keyed alike within the unit.

For specific numbering choices, specify KA and order lock plugs separately. See Keyed-Alike Information in Appendices.

### Dimensions



# Vertical Tower with Wardrobe and Storage Case, Bevel Pull *continued*

Specification Information	
Step 1.	
<b>MTV</b>	
Step 2. Height/Wardrobe Location	
14.	50 <sup>7</sup> / <sub>8</sub> " high, wardrobe left
24.	50 <sup>7</sup> / <sub>8</sub> " high, wardrobe right
34.	59 <sup>7</sup> / <sub>8</sub> " high, wardrobe left
44.	59 <sup>7</sup> / <sub>8</sub> " high, wardrobe right
54.	64" high, wardrobe left
64.	64" high, wardrobe right
Step 3. Width	
24	24" wide
30	30" wide
Step 4. Drawer Configuration	
<i>For 50<sup>7</sup>/<sub>8</sub>" high, wardrobe left (14.) or 50<sup>7</sup>/<sub>8</sub>" high, wardrobe right (24.)</i>	
R	file/file
S	box/box/file
<i>For 59<sup>7</sup>/<sub>8</sub>" high, wardrobe left (34.), 59<sup>7</sup>/<sub>8</sub>" high, wardrobe right (44.), 64" high, wardrobe left (54.), or 64" high, wardrobe right (64.)</i>	
R	file/file
S	box/box/file
T	file/file/file
V	box/box/file/file
Step 5. Storage Case Door	
F	painted metal door
C	clear translucent door <input type="checkbox"/> A
D	frosted translucent door <input type="checkbox"/> A
Step 6. Paint/Steel Type	
S	smooth paint on smooth steel
T	smooth paint on textured steel
X	textured paint on smooth steel

Prices for Steps 1-6.							
	FS	FT	FX	CS	CT	CX	DS
<b>MTV14.24 R</b>	\$2153	2153	2153	2457	2457	2457	2457
<b>S</b>	\$2202	2202	2202	2505	2505	2505	2505
<b>30 R</b>	\$2171	2171	2171	2473	2473	2473	2473
<b>S</b>	\$2220	2220	2220	2520	2520	2520	2520

<b>MTV24.24 R</b>	\$2153	2153	2153	2457	2457	2457	2457
<b>S</b>	\$2202	2202	2202	2505	2505	2505	2505
<b>30 R</b>	\$2171	2171	2171	2473	2473	2473	2473
<b>S</b>	\$2220	2220	2220	2520	2520	2520	2520
<b>MTV34.24 R</b>	\$2176	2176	2176	2478	2478	2478	2478
<b>S</b>	\$2224	2224	2224	2526	2526	2526	2526
<b>T</b>	\$2327	2327	2327	2629	2629	2629	2629
<b>V</b>	\$2377	2377	2377	2677	2677	2677	2677
<b>30 R</b>	\$2193	2193	2193	2495	2495	2495	2495
<b>S</b>	\$2242	2242	2242	2542	2542	2542	2542
<b>T</b>	\$2344	2344	2344	2645	2645	2645	2645
<b>V</b>	\$2391	2391	2391	2693	2693	2693	2693
<b>MTV44.24 R</b>	\$2176	2176	2176	2478	2478	2478	2478
<b>S</b>	\$2224	2224	2224	2526	2526	2526	2526
<b>T</b>	\$2327	2327	2327	2629	2629	2629	2629
<b>V</b>	\$2377	2377	2377	2677	2677	2677	2677
<b>30 R</b>	\$2193	2193	2193	2495	2495	2495	2495
<b>S</b>	\$2242	2242	2242	2542	2542	2542	2542
<b>T</b>	\$2344	2344	2344	2645	2645	2645	2645
<b>V</b>	\$2391	2391	2391	2693	2693	2693	2693
<b>MTV54.24 R</b>	\$2230	2230	2230	2532	2532	2532	2532
<b>S</b>	\$2279	2279	2279	2581	2581	2581	2581
<b>T</b>	\$2382	2382	2382	2683	2683	2683	2683
<b>V</b>	\$2430	2430	2430	2732	2732	2732	2732
<b>30 R</b>	\$2247	2247	2247	2548	2548	2548	2548
<b>S</b>	\$2295	2295	2295	2597	2597	2597	2597
<b>T</b>	\$2400	2400	2400	2700	2700	2700	2700
<b>V</b>	\$2448	2448	2448	2747	2747	2747	2747
<b>MTV64.24 R</b>	\$2230	2230	2230	2532	2532	2532	2532
<b>S</b>	\$2279	2279	2279	2581	2581	2581	2581
<b>T</b>	\$2382	2382	2382	2683	2683	2683	2683
<b>V</b>	\$2430	2430	2430	2732	2732	2732	2732
<b>30 R</b>	\$2247	2247	2247	2548	2548	2548	2548
<b>S</b>	\$2295	2295	2295	2597	2597	2597	2597
<b>T</b>	\$2400	2400	2400	2700	2700	2700	2700
<b>V</b>	\$2448	2448	2448	2747	2747	2747	2747
						<b>DT</b>	<b>DX</b>
<b>MTV14.24 R</b>						\$2457	2457
<b>S</b>						\$2505	2505
<b>30 R</b>						\$2473	2473
<b>S</b>						\$2520	2520

# Vertical Tower with Wardrobe and Storage Case, Bevel Pull *continued*

<b>MTV24.24 R</b>	\$2457	2457
<b>S</b>	\$2505	2505
<b>30 R</b>	\$2473	2473
<b>S</b>	\$2520	2520

<b>MTV34.24 R</b>	\$2478	2478
<b>S</b>	\$2526	2526
<b>T</b>	\$2629	2629
<b>V</b>	\$2677	2677
<b>30 R</b>	\$2495	2495
<b>S</b>	\$2542	2542
<b>T</b>	\$2645	2645
<b>V</b>	\$2693	2693

<b>MTV44.24 R</b>	\$2478	2478
<b>S</b>	\$2526	2526
<b>T</b>	\$2629	2629
<b>V</b>	\$2677	2677
<b>30 R</b>	\$2495	2495
<b>S</b>	\$2542	2542
<b>T</b>	\$2645	2645
<b>V</b>	\$2693	2693

<b>MTV54.24 R</b>	\$2532	2532
<b>S</b>	\$2581	2581
<b>T</b>	\$2683	2683
<b>V</b>	\$2732	2732
<b>30 R</b>	\$2548	2548
<b>S</b>	\$2597	2597
<b>T</b>	\$2700	2700
<b>V</b>	\$2747	2747

<b>MTV64.24 R</b>	\$2532	2532
<b>S</b>	\$2581	2581
<b>T</b>	\$2683	2683
<b>V</b>	\$2732	2732
<b>30 R</b>	\$2548	2548
<b>S</b>	\$2597	2597
<b>T</b>	\$2700	2700
<b>V</b>	\$2747	2747

### Step 7. Surface Finish

*For smooth paint on smooth steel (S) or smooth paint on textured steel (T)*

Nonmetallic Paint	+\$0
Metallic Paint	+\$100

Sand Texture Paint		
<i>For textured paint on smooth steel (X)</i>		
<b>7L</b>	dune	+\$0
<b>7M</b>	chai	+\$0
<b>7N</b>	grass	+\$0
<b>7U</b>	blue ridge	+\$0
<b>7V</b>	loden	+\$0
<b>7W</b>	napa	+\$0
<b>7Y</b>	sedona	+\$0
<b>7Z</b>	mink	+\$0
<b>8T</b>	gull	+\$0
<b>8Y</b>	moonbeam	+\$0
<b>B4</b>	blue medium	+\$0
<b>ZK</b>	cappuccino	+\$0

Bright Sand Texture Paint		
<i>For textured paint on smooth steel (X)</i>		
<b>91</b>	white	+\$0
<b>CL</b>	cool grey neutral	+\$0
<b>G1</b>	graphite	+\$0
<b>WN</b>	warm grey neutral	+\$0

### Step 8. Top

		<b>24</b>	<b>30</b>
<b>T1</b>	1"-high squared-edge top	+\$0	0
<b>T2</b>	1/4"-high squared-edge top	+\$0	0
<b>J3</b>	1/4"-high cathedral recut veneer top <b>A</b>	+\$204	224
<b>TF</b>	1/4"-high wood veneer top <b>A</b>	+\$210	231
<b>D1</b>	6 1/2"-high full dome, side-to-side	+\$210	231
<b>D2</b>	6 1/2"-high full dome, front-to-back	+\$210	231
<b>H1</b>	6 1/2"-high half dome, sloping left	+\$210	231
<b>H2</b>	6 1/2"-high half dome, sloping right	+\$210	231
<b>H3</b>	6 1/2"-high half dome, sloping front	+\$210	231
<b>H4</b>	6 1/2"-high half dome, sloping back	+\$210	231
<b>TV1</b>	1 1/8"-high wood veneer top and wood composite edge with oversail front <b>A</b>	+\$315	315

# Vertical Tower with Wardrobe and Storage Case, Bevel Pull *continued*

## Step 9. Veneer Top Finish

### Recut Veneer

*For 1 1/4"-high cathedral recut veneer top (J3)*

<b>DU</b>	cathedral recut natural maple <input type="checkbox"/> A	+\$0
<b>HU</b>	cathedral recut light anigre <input type="checkbox"/> A	+\$0
<b>JU</b>	cathedral recut aged cherry <input type="checkbox"/> A	+\$0
<b>VU</b>	cathedral recut light brown walnut <input type="checkbox"/> A	+\$0
<b>WU</b>	cathedral recut walnut on cherry <input type="checkbox"/> A	+\$0
<b>XU</b>	cathedral recut medium red cherry <input type="checkbox"/> A	+\$0
<b>ZU</b>	cathedral recut chocolate brown sapele <input type="checkbox"/> A	+\$0

### Wood Veneer

*For 1 1/4"-high wood veneer top (TF)*

<b>V3</b>	cherry <input type="checkbox"/> A	+\$18
<b>Z3</b>	warm red cherry <input type="checkbox"/> A	+\$18
<b>Z5</b>	maple <input type="checkbox"/> A	+\$18
<b>2U</b>	light brown walnut <input type="checkbox"/> A	+\$24
<b>3U</b>	medium red cherry <input type="checkbox"/> A	+\$24
<b>6U</b>	chocolate brown sapele <input type="checkbox"/> A	+\$24
<b>ED</b>	aged cherry <input type="checkbox"/> A	+\$24
<b>EG</b>	medium brown walnut <input type="checkbox"/> A	+\$24
<b>EK</b>	medium red walnut <input type="checkbox"/> A	+\$24
<b>EY</b>	light anigre <input type="checkbox"/> A	+\$24
<b>UL</b>	natural maple <input type="checkbox"/> A	+\$24
<b>UQ</b>	light cherry <input type="checkbox"/> A	+\$24
<b>UV</b>	red cherry <input type="checkbox"/> A	+\$24
<b>UX</b>	walnut on cherry <input type="checkbox"/> A	+\$24

### Wood Veneer

*For 1 1/8"-high wood veneer top and wood composite edge with oversail front (TV1)*

<b>ED</b>	aged cherry <input type="checkbox"/> A	+\$24
<b>EG</b>	medium brown walnut <input type="checkbox"/> A	+\$24
<b>EK</b>	medium red walnut <input type="checkbox"/> A	+\$24
<b>EY</b>	light anigre <input type="checkbox"/> A	+\$24
<b>UL</b>	natural maple <input type="checkbox"/> A	+\$24
<b>UQ</b>	light cherry <input type="checkbox"/> A	+\$24
<b>UV</b>	red cherry <input type="checkbox"/> A	+\$24
<b>UX</b>	walnut on cherry <input type="checkbox"/> A	+\$24

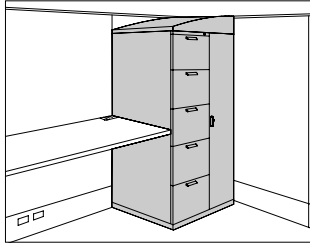
## Step 10. Base Height

<b>B1</b>	1"-high base	+\$0
<b>B2</b>	1 1/2"-high base	+\$0
<b>B3</b>	2 1/4"-high base	+\$0
<b>B4</b>	3 1/4"-high base	+\$0
<b>B5</b>	4 1/4"-high base	+\$30

## Step 11. Lock

<b>KA</b>	keyed alike	+\$0
<b>KC</b>	keyed differently, chrome	+\$0
<b>KD</b>	keyed differently, black	+\$0

## Vertical Tower with Wardrobe, Sloped Pull



MTN1P. MTN5V.  
 MTN1V. MTN6P.  
 MTN2P. MTN6V.  
 MTN2V. MTN7P.  
 MTN3P. MTN7V.  
 MTN3V. MTN8P.  
 MTN4P. MTN8V.  
 MTN4V.  
 MTN5P.

### Product Information

#### Description

This 24"-wide freestanding storage tower is available in 4 heights and has a wardrobe on 1 side and drawers on the other side. It is available in smooth or textured steel with a metal or veneer top, sloped pulls, and painted metal or veneer fronts. 5 base heights are available; all bases include adjustable glides. A counterweight is included in the 24<sup>5</sup>/<sub>8</sub>" towers.

The towers have a 9"-wide wardrobe/briefcase storage area and a lock. Letter-width file drawers include a file compressor; box drawers include an adjustable metal divider. 1 lock controls all drawers. The 24"-high tower has a wardrobe area for storage of personal items or a briefcase; the 36"-high tower has a coat hook for shorter-length coats or sweaters; the 48"- and 59"-high towers have a side-to-side coat rod for coats and jackets. All wardrobes include a lock.

#### Notes

Front-facing filing module is the reference point when specifying location of wardrobe and orientation of full- or half-dome top.

2 box drawers may be specified in place of 1 file drawer in predetermined locations.

Dimensional illustrations do not include all possible configurations.

For veneer-front tower, fascia strip is also veneer.

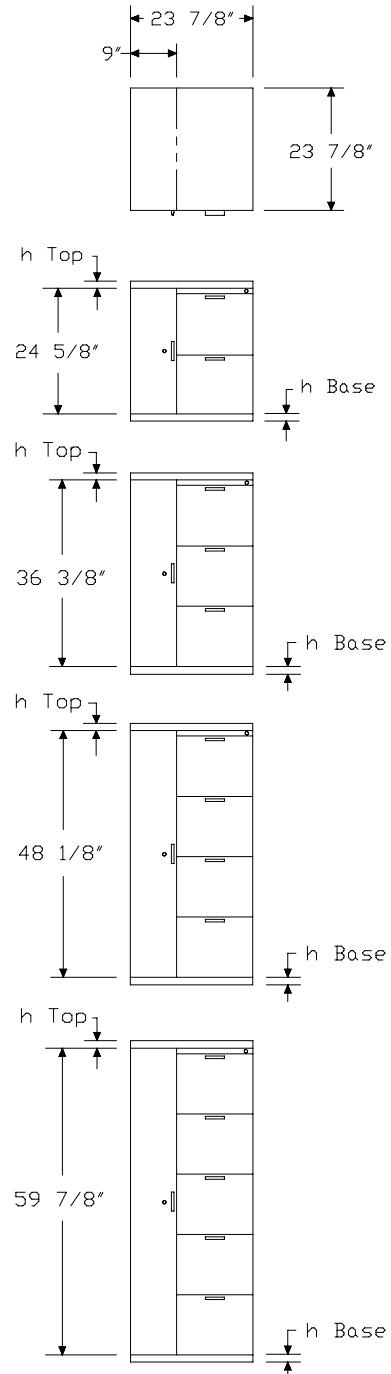
Grain direction is vertical for veneer-front towers.

Order optional accessories separately:

- Drawer divider (73-1567-D)
- File drawer organizer (73-9874-FDO)
- Pencil tray (73-1516-PT)
- Stationery tray (73-7082-SST)

All locks in unit are factory installed and are keyed alike within unit. For specific numbering choices, specify KA and order lock plugs separately. See Keyed-Alike Information in Appendices.

### Dimensions



# Vertical Tower with Wardrobe, Sloped Pull *continued*

Specification Information			
Step 1.			
<b>MTN</b>			
Step 2. Height/Wardrobe Location			
<b>1</b>	24 <sup>5</sup> / <sub>8</sub> " high, wardrobe left		
<b>2</b>	24 <sup>5</sup> / <sub>8</sub> " high, wardrobe right		
<b>3</b>	36 <sup>3</sup> / <sub>8</sub> " high, wardrobe left		
<b>4</b>	36 <sup>3</sup> / <sub>8</sub> " high, wardrobe right		
<b>5</b>	48 <sup>1</sup> / <sub>8</sub> " high, wardrobe left		
<b>6</b>	48 <sup>1</sup> / <sub>8</sub> " high, wardrobe right		
<b>7</b>	59 <sup>7</sup> / <sub>8</sub> " high, wardrobe left		
<b>8</b>	59 <sup>7</sup> / <sub>8</sub> " high, wardrobe right		
Step 3. Front Material			
<b>P.24</b>	painted metal front		
<b>V.24</b>	veneer front <input type="checkbox"/> A		
Step 4. Drawer Configuration/Lock Option			
<i>For 24<sup>5</sup>/<sub>8</sub>" high, wardrobe left (1) or 24<sup>5</sup>/<sub>8</sub>" high, wardrobe right (2)</i>			
<b>R</b>	file/file, 1 lock		
<b>S</b>	box/box/file, 1 lock		
<i>For 36<sup>3</sup>/<sub>8</sub>" high, wardrobe left (3) or 36<sup>3</sup>/<sub>8</sub>" high, wardrobe right (4)</i>			
<b>T</b>	file/file/file, 1 lock		
<b>V</b>	box/box/file/file, 1 lock		
<i>For 48<sup>1</sup>/<sub>8</sub>" high, wardrobe left (5) or 48<sup>1</sup>/<sub>8</sub>" high, wardrobe right (6)</i>			
<b>W</b>	file/file/file/file, 1 lock		
<b>X</b>	file/box/box/file/file, 1 lock		
<i>For 59<sup>7</sup>/<sub>8</sub>" high, wardrobe left (7) or 59<sup>7</sup>/<sub>8</sub>" high, wardrobe right (8)</i>			
<b>Y</b>	file/file/file/file/file, 1 lock		
<b>Z</b>	file/file/box/box/file/file, 1 lock		
Step 5. Paint/Steel Type			
<b>S</b>	smooth paint on smooth steel		
<b>T</b>	smooth paint on textured steel		
<b>X</b>	textured paint on smooth steel		
Prices for Steps 1-5.			
	<b>S</b>	<b>T</b>	<b>X</b>
<b>MTN1P.24 R</b>	\$1200	1200	1200
<b>S</b>	\$1248	1248	1248

<b>MTN1V.24 R</b>	\$2561	2561	2561
<b>S</b>	\$2658	2658	2658
<b>MTN2P.24 R</b>	\$1200	1200	1200
<b>S</b>	\$1248	1248	1248
<b>MTN2V.24 R</b>	\$2561	2561	2561
<b>S</b>	\$2658	2658	2658
<b>MTN3P.24 T</b>	\$1526	1526	1526
<b>V</b>	\$1574	1574	1574
<b>MTN3V.24 T</b>	\$3189	3189	3189
<b>V</b>	\$3286	3286	3286
<b>MTN4P.24 T</b>	\$1526	1526	1526
<b>V</b>	\$1574	1574	1574
<b>MTN4V.24 T</b>	\$3189	3189	3189
<b>V</b>	\$3286	3286	3286
<b>MTN5P.24 W</b>	\$2179	2179	2179
<b>X</b>	\$2227	2227	2227
<b>MTN5V.24 W</b>	\$3994	3994	3994
<b>X</b>	\$4090	4090	4090
<b>MTN6P.24 W</b>	\$2179	2179	2179
<b>X</b>	\$2227	2227	2227
<b>MTN6V.24 W</b>	\$3994	3994	3994
<b>X</b>	\$4090	4090	4090
<b>MTN7P.24 Y</b>	\$2506	2506	2506
<b>Z</b>	\$2554	2554	2554
<b>MTN7V.24 Y</b>	\$4441	4441	4441
<b>Z</b>	\$4538	4538	4538
<b>MTN8P.24 Y</b>	\$2506	2506	2506
<b>Z</b>	\$2554	2554	2554
<b>MTN8V.24 Y</b>	\$4441	4441	4441
<b>Z</b>	\$4538	4538	4538

# Vertical Tower with Wardrobe, Sloped Pull *continued*

## Step 6. Surface Finish

*For smooth paint on smooth steel (S) or smooth paint on textured steel (T)*

Nonmetallic Paint	+\$0
Metallic Paint	+\$100

### Sand Texture Paint

*For textured paint on smooth steel (X)*

<b>7L</b> dune	+\$0
<b>7M</b> chai	+\$0
<b>7N</b> grass	+\$0
<b>7U</b> blue ridge	+\$0
<b>7V</b> loden	+\$0
<b>7W</b> napa	+\$0
<b>7Y</b> sedona	+\$0
<b>7Z</b> mink	+\$0
<b>8T</b> gull	+\$0
<b>8Y</b> moonbeam	+\$0
<b>B4</b> blue medium	+\$0
<b>ZK</b> cappuccino	+\$0

### Bright Sand Texture Paint

*For textured paint on smooth steel (X)*

<b>91</b> white	+\$0
<b>CL</b> cool grey neutral	+\$0
<b>G1</b> graphite	+\$0
<b>WN</b> warm grey neutral	+\$0

## Step 7. Pull Finish

<b>G2</b> graphite satin	+\$0
<b>CS</b> brushed copper	+\$35
<b>U1</b> brushed aluminum	+\$35

## Step 8. Top

<b>T1</b> 1"-high squared-edge top	+\$0
<b>T2</b> 1 <sup>1</sup> / <sub>4</sub> "-high squared-edge top	+\$0
<b>J3</b> 1 <sup>1</sup> / <sub>4</sub> "-high cathedral recut veneer top <b>A</b>	+\$204
<b>TF</b> 1 <sup>1</sup> / <sub>4</sub> "-high wood veneer top <b>A</b>	+\$210
<b>D1</b> 6 <sup>1</sup> / <sub>2</sub> "-high full dome, side-to-side	+\$210
<b>D2</b> 6 <sup>1</sup> / <sub>2</sub> "-high full dome, front-to-back	+\$210
<b>H1</b> 6 <sup>1</sup> / <sub>2</sub> "-high half dome, sloping left	+\$210
<b>H2</b> 6 <sup>1</sup> / <sub>2</sub> "-high half dome, sloping right	+\$210
<b>H3</b> 6 <sup>1</sup> / <sub>2</sub> "-high half dome, sloping front	+\$210
<b>H4</b> 6 <sup>1</sup> / <sub>2</sub> "-high half dome, sloping back	+\$210
<b>TV1</b> 1 <sup>1</sup> / <sub>8</sub> "-high wood veneer top and wood composite edge with oversail front <b>A</b>	+\$315

## Step 9.

### Veneer Top Finish: Wood Veneer

*For painted metal front (P.24) with 1<sup>1</sup>/<sub>8</sub>"-high wood veneer top and wood composite edge with oversail front (TV1)*

<b>ED</b> aged cherry <b>A</b>	+\$24
<b>EG</b> medium brown walnut <b>A</b>	+\$24
<b>EK</b> medium red walnut <b>A</b>	+\$24
<b>EY</b> light anigre <b>A</b>	+\$24
<b>UL</b> natural maple <b>A</b>	+\$24
<b>UQ</b> light cherry <b>A</b>	+\$24
<b>UV</b> red cherry <b>A</b>	+\$24
<b>UX</b> walnut on cherry <b>A</b>	+\$24

### Veneer Top Finish: Recut Veneer

*For painted metal front (P.24) with 1<sup>1</sup>/<sub>4</sub>"-high cathedral recut veneer top (J3)*

<b>DU</b> cathedral recut natural maple <b>A</b>	+\$0
<b>HU</b> cathedral recut light anigre <b>A</b>	+\$0
<b>JU</b> cathedral recut aged cherry <b>A</b>	+\$0
<b>VU</b> cathedral recut light brown walnut <b>A</b>	+\$0
<b>WU</b> cathedral recut walnut on cherry <b>A</b>	+\$0
<b>XU</b> cathedral recut medium red cherry <b>A</b>	+\$0
<b>ZU</b> cathedral recut chocolate brown sapele <b>A</b>	+\$0

# Vertical Tower with Wardrobe, Sloped Pull *continued*

## Veneer Top Finish: Wood Veneer

*For painted metal front (P.24) with 1 1/4"-high wood veneer top (TF)*

<b>V3</b>	cherry <span style="border: 1px solid black; padding: 0 2px;">A</span>	+\$18
<b>Z3</b>	warm red cherry <span style="border: 1px solid black; padding: 0 2px;">A</span>	+\$18
<b>Z5</b>	maple <span style="border: 1px solid black; padding: 0 2px;">A</span>	+\$18
<b>2U</b>	light brown walnut <span style="border: 1px solid black; padding: 0 2px;">A</span>	+\$24
<b>3U</b>	medium red cherry <span style="border: 1px solid black; padding: 0 2px;">A</span>	+\$24
<b>6U</b>	chocolate brown sapele <span style="border: 1px solid black; padding: 0 2px;">A</span>	+\$24
<b>ED</b>	aged cherry <span style="border: 1px solid black; padding: 0 2px;">A</span>	+\$24
<b>EG</b>	medium brown walnut <span style="border: 1px solid black; padding: 0 2px;">A</span>	+\$24
<b>EK</b>	medium red walnut <span style="border: 1px solid black; padding: 0 2px;">A</span>	+\$24
<b>EY</b>	light anigre <span style="border: 1px solid black; padding: 0 2px;">A</span>	+\$24
<b>UL</b>	natural maple <span style="border: 1px solid black; padding: 0 2px;">A</span>	+\$24
<b>UQ</b>	light cherry <span style="border: 1px solid black; padding: 0 2px;">A</span>	+\$24
<b>UV</b>	red cherry <span style="border: 1px solid black; padding: 0 2px;">A</span>	+\$24
<b>UX</b>	walnut on cherry <span style="border: 1px solid black; padding: 0 2px;">A</span>	+\$24

## Veneer Front Finish: Recut Veneer

*For veneer front (V.24) with 1"-high squared-edge top (T1), 1 1/4"-high squared-edge top (T2), 6 1/2"-high full dome, side-to-side (D1), 6 1/2"-high full dome, front-to-back (D2), 6 1/2"-high half dome, sloping left (H1), 6 1/2"-high half dome, sloping right (H2), 6 1/2"-high half dome, sloping front (H3), or 6 1/2"-high half dome, sloping back (H4)*

<b>DU</b>	cathedral recut natural maple <span style="border: 1px solid black; padding: 0 2px;">A</span>	+\$0
<b>HU</b>	cathedral recut light anigre <span style="border: 1px solid black; padding: 0 2px;">A</span>	+\$0
<b>JU</b>	cathedral recut aged cherry <span style="border: 1px solid black; padding: 0 2px;">A</span>	+\$0
<b>VU</b>	cathedral recut light brown walnut <span style="border: 1px solid black; padding: 0 2px;">A</span>	+\$0
<b>WU</b>	cathedral recut walnut on cherry <span style="border: 1px solid black; padding: 0 2px;">A</span>	+\$0
<b>XU</b>	cathedral recut medium red cherry <span style="border: 1px solid black; padding: 0 2px;">A</span>	+\$0
<b>ZU</b>	cathedral recut chocolate brown sapele <span style="border: 1px solid black; padding: 0 2px;">A</span>	+\$0

## Veneer Front Finish: Wood Veneer

*For veneer front (V.24) with 1"-high squared-edge top (T1), 1 1/4"-high squared-edge top (T2), 6 1/2"-high full dome, side-to-side (D1), 6 1/2"-high full dome, front-to-back (D2), 6 1/2"-high half dome, sloping left (H1), 6 1/2"-high half dome, sloping right (H2), 6 1/2"-high half dome, sloping front (H3), or 6 1/2"-high half dome, sloping back (H4)*

<b>V3</b>	cherry <span style="border: 1px solid black; padding: 0 2px;">A</span>	+\$53
<b>Z3</b>	warm red cherry <span style="border: 1px solid black; padding: 0 2px;">A</span>	+\$53
<b>Z5</b>	maple <span style="border: 1px solid black; padding: 0 2px;">A</span>	+\$53
<b>2U</b>	light brown walnut <span style="border: 1px solid black; padding: 0 2px;">A</span>	+\$66
<b>3U</b>	medium red cherry <span style="border: 1px solid black; padding: 0 2px;">A</span>	+\$66
<b>6U</b>	chocolate brown sapele <span style="border: 1px solid black; padding: 0 2px;">A</span>	+\$66
<b>ED</b>	aged cherry <span style="border: 1px solid black; padding: 0 2px;">A</span>	+\$66
<b>EG</b>	medium brown walnut <span style="border: 1px solid black; padding: 0 2px;">A</span>	+\$66
<b>EK</b>	medium red walnut <span style="border: 1px solid black; padding: 0 2px;">A</span>	+\$66
<b>EY</b>	light anigre <span style="border: 1px solid black; padding: 0 2px;">A</span>	+\$66
<b>UL</b>	natural maple <span style="border: 1px solid black; padding: 0 2px;">A</span>	+\$66
<b>UQ</b>	light cherry <span style="border: 1px solid black; padding: 0 2px;">A</span>	+\$66
<b>UV</b>	red cherry <span style="border: 1px solid black; padding: 0 2px;">A</span>	+\$66
<b>UX</b>	walnut on cherry <span style="border: 1px solid black; padding: 0 2px;">A</span>	+\$66

## Veneer Front/Top Finish: Wood Veneer

*For veneer front (V.24) with 1 1/8"-high wood veneer top and wood composite edge with oversail front (TV1)*

<b>ED</b>	aged cherry <span style="border: 1px solid black; padding: 0 2px;">A</span>	+\$66
<b>EG</b>	medium brown walnut <span style="border: 1px solid black; padding: 0 2px;">A</span>	+\$66
<b>EK</b>	medium red walnut <span style="border: 1px solid black; padding: 0 2px;">A</span>	+\$66
<b>EY</b>	light anigre <span style="border: 1px solid black; padding: 0 2px;">A</span>	+\$66
<b>UL</b>	natural maple <span style="border: 1px solid black; padding: 0 2px;">A</span>	+\$66
<b>UQ</b>	light cherry <span style="border: 1px solid black; padding: 0 2px;">A</span>	+\$66
<b>UV</b>	red cherry <span style="border: 1px solid black; padding: 0 2px;">A</span>	+\$66
<b>UX</b>	walnut on cherry <span style="border: 1px solid black; padding: 0 2px;">A</span>	+\$66

## Veneer Front/Top Finish: Recut Veneer

*For veneer front (V.24) with 1 1/4"-high cathedral recut veneer top (J3)*

<b>DU</b>	cathedral recut natural maple <span style="border: 1px solid black; padding: 0 2px;">A</span>	+\$0
<b>HU</b>	cathedral recut light anigre <span style="border: 1px solid black; padding: 0 2px;">A</span>	+\$0
<b>JU</b>	cathedral recut aged cherry <span style="border: 1px solid black; padding: 0 2px;">A</span>	+\$0
<b>VU</b>	cathedral recut light brown walnut <span style="border: 1px solid black; padding: 0 2px;">A</span>	+\$0
<b>WU</b>	cathedral recut walnut on cherry <span style="border: 1px solid black; padding: 0 2px;">A</span>	+\$0
<b>XU</b>	cathedral recut medium red cherry <span style="border: 1px solid black; padding: 0 2px;">A</span>	+\$0
<b>ZU</b>	cathedral recut chocolate brown sapele <span style="border: 1px solid black; padding: 0 2px;">A</span>	+\$0

# Vertical Tower with Wardrobe, Sloped Pull *continued*

---

## Veneer Front/Top Finish: Wood Veneer

*For veneer front (V.24) with 1<sup>1</sup>/<sub>4</sub>"-high wood veneer top (TF)*

<b>V3</b>	cherry <input type="checkbox"/> A	+\$53
<b>Z3</b>	warm red cherry <input type="checkbox"/> A	+\$53
<b>Z5</b>	maple <input type="checkbox"/> A	+\$53
<b>2U</b>	light brown walnut <input type="checkbox"/> A	+\$66
<b>3U</b>	medium red cherry <input type="checkbox"/> A	+\$66
<b>6U</b>	chocolate brown sapele <input type="checkbox"/> A	+\$66
<b>ED</b>	aged cherry <input type="checkbox"/> A	+\$66
<b>EG</b>	medium brown walnut <input type="checkbox"/> A	+\$66
<b>EK</b>	medium red walnut <input type="checkbox"/> A	+\$66
<b>EY</b>	light anigre <input type="checkbox"/> A	+\$66
<b>UL</b>	natural maple <input type="checkbox"/> A	+\$66
<b>UQ</b>	light cherry <input type="checkbox"/> A	+\$66
<b>UV</b>	red cherry <input type="checkbox"/> A	+\$66
<b>UX</b>	walnut on cherry <input type="checkbox"/> A	+\$66

---

## Step 10. Base Height

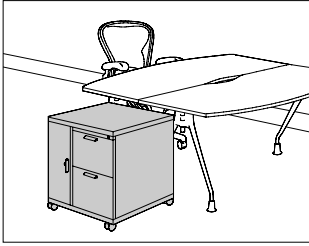
<b>B1</b>	1"-high base	+\$0
<b>B2</b>	1 <sup>1</sup> / <sub>2</sub> "-high base	+\$0
<b>B3</b>	2 <sup>1</sup> / <sub>4</sub> "-high base	+\$0
<b>B4</b>	3 <sup>1</sup> / <sub>4</sub> "-high base	+\$0
<b>B5</b>	4 <sup>1</sup> / <sub>4</sub> "-high base	+\$30

---

## Step 11. Lock

<b>KA</b>	keyed alike	+\$0
<b>KC</b>	keyed differently, chrome	+\$0
<b>KD</b>	keyed differently, black	+\$0

## Mobile Vertical Tower with Wardrobe, Sloped Pull



MTC1P.  
MTC1V.  
MTC2P.  
MTC2V.  
MTC3P.  
MTC3V.  
MTC4P.  
MTC4V.  
MTC5P.  
MTC5V.  
MTC6P.  
MTC6V.

### Product Information

#### Description

This 24"-wide mobile storage tower is available in 3 heights and has a wardrobe on 1 side and drawers on the other side. It is available in smooth or textured steel with a metal or veneer top, sloped pulls, and painted metal or veneer fronts. The 5 $\frac{1}{2}$ "-high caster base includes a 1 $\frac{1}{2}$ "-high metal frame with 4 4"-diameter casters; 2 casters include a brake. A counterweight is included in all towers.

The towers have a 9"-wide wardrobe/briefcase storage area and a lock. Letter-width file drawers include a file compressor; box drawers include an adjustable metal divider. 1 lock controls all drawers. The 24"-high tower has a wardrobe area for storage of personal items or a briefcase; the 36"-high tower has a coat hook for shorter-length coats or sweaters; the 48"-high tower has a side-to-side coat rod for coats and jackets. All wardrobes include a lock.

#### Notes

Front-facing filing module is the reference point when specifying location of wardrobe and orientation of full- or half-dome top.

Casters must be field installed.

2 box drawers may be specified in place of 1 file drawer in predetermined locations.

Dimensional illustrations do not include all possible configurations.

For veneer-front tower, fascia strip is also veneer.

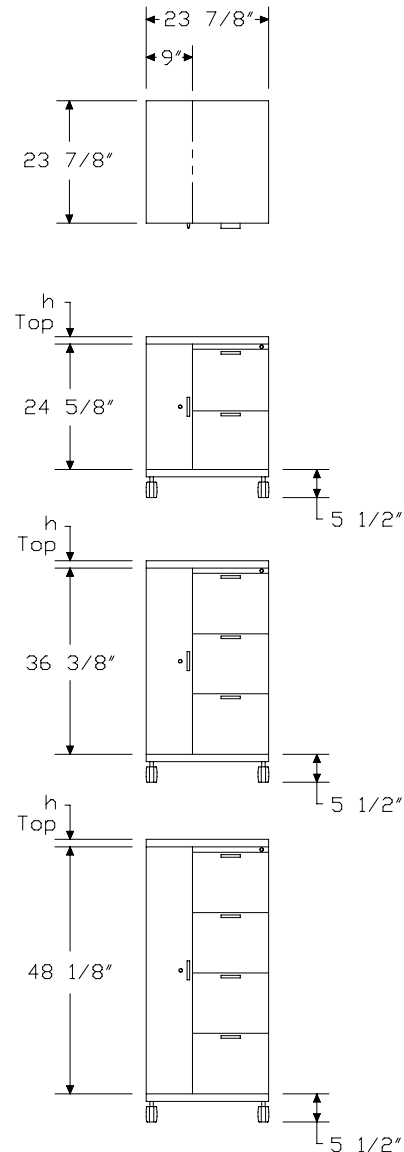
Grain direction is vertical for veneer-front towers.

Order optional accessories separately:

- Drawer divider (73-1567-D)
- File drawer organizer (73-9874-FDO)
- Pencil tray (73-1516-PT)
- Stationery tray (73-7082-SST)

All locks in unit are factory installed and are keyed alike within unit. For specific numbering choices, specify KA and order lock plugs separately. See Keyed-Alike Information in Appendices.

### Dimensions



# Mobile Vertical Tower with Wardrobe, Sloped Pull *continued*

## Specification Information

### Step 1.

#### MTC

### Step 2. Height/Wardrobe Location

<b>1</b>	24 <sup>5</sup> / <sub>8</sub> " high, wardrobe left
<b>2</b>	24 <sup>5</sup> / <sub>8</sub> " high, wardrobe right
<b>3</b>	36 <sup>3</sup> / <sub>8</sub> " high, wardrobe left
<b>4</b>	36 <sup>3</sup> / <sub>8</sub> " high, wardrobe right
<b>5</b>	48 <sup>1</sup> / <sub>8</sub> " high, wardrobe left
<b>6</b>	48 <sup>1</sup> / <sub>8</sub> " high, wardrobe right

### Step 3. Front Material

<b>P.24</b>	Painted metal front
<b>V.24</b>	Veneer front <input type="checkbox"/> A

### Step 4. Drawer Configuration/Lock Option

*For 24<sup>5</sup>/<sub>8</sub>" high, wardrobe left (1) or 24<sup>5</sup>/<sub>8</sub>" high, wardrobe right (2)*

<b>R</b>	file/file, 1 lock
<b>S</b>	box/box/file, 1 lock

*For 36<sup>3</sup>/<sub>8</sub>" high, wardrobe left (3) or 36<sup>3</sup>/<sub>8</sub>" high, wardrobe right (4)*

<b>T</b>	file/file/file, 1 lock
<b>V</b>	box/box/file/file, 1 lock

*For 48<sup>1</sup>/<sub>8</sub>" high, wardrobe left (5) or 48<sup>1</sup>/<sub>8</sub>" high, wardrobe right (6)*

<b>W</b>	file/file/file/file, 1 lock
<b>X</b>	file/box/box/file/file, 1 lock

### Step 5. Paint/Steel Type

<b>S</b>	smooth paint on smooth steel
<b>T</b>	smooth paint on textured steel
<b>X</b>	textured paint on smooth steel

### Prices for Steps 1-5.

	<b>S</b>	<b>T</b>	<b>X</b>
<b>MTC1P.24 R</b>	\$1381	1381	1381
<b>S</b>	\$1428	1428	1428
<b>MTC1V.24 R</b>	\$2742	2742	2742
<b>S</b>	\$2840	2840	2840
<b>MTC2P.24 R</b>	\$1381	1381	1381
<b>S</b>	\$1428	1428	1428

<b>MTC2V.24 R</b>	\$2742	2742	2742
<b>S</b>	\$2840	2840	2840

<b>MTC3P.24 T</b>	\$1708	1708	1708
<b>V</b>	\$1756	1756	1756

<b>MTC3V.24 T</b>	\$3371	3371	3371
<b>V</b>	\$3468	3468	3468

<b>MTC4P.24 T</b>	\$1708	1708	1708
<b>V</b>	\$1756	1756	1756

<b>MTC4V.24 T</b>	\$3371	3371	3371
<b>V</b>	\$3468	3468	3468

<b>MTC5P.24 W</b>	\$2361	2361	2361
<b>X</b>	\$2409	2409	2409

<b>MTC5V.24 W</b>	\$4176	4176	4176
<b>X</b>	\$4273	4273	4273

<b>MTC6P.24 W</b>	\$2361	2361	2361
<b>X</b>	\$2409	2409	2409

<b>MTC6V.24 W</b>	\$4176	4176	4176
<b>X</b>	\$4273	4273	4273

### Step 6. Surface Finish

*For smooth paint on smooth steel (S) or smooth paint on textured steel (T)*

Nonmetallic Paint			+\$0
Metallic Paint			+\$100

# Mobile Vertical Tower with Wardrobe, Sloped Pull *continued*

Sand Texture Paint		
<i>For textured paint on smooth steel (X)</i>		
<b>7L</b>	dune	+\$0
<b>7M</b>	chai	+\$0
<b>7N</b>	grass	+\$0
<b>7U</b>	blue ridge	+\$0
<b>7V</b>	loden	+\$0
<b>7W</b>	napa	+\$0
<b>7Y</b>	sedona	+\$0
<b>7Z</b>	mink	+\$0
<b>8T</b>	gull	+\$0
<b>8Y</b>	moonbeam	+\$0
<b>B4</b>	blue medium	+\$0
<b>ZK</b>	cappuccino	+\$0

Bright Sand Texture Paint		
<i>For textured paint on smooth steel (X)</i>		
<b>91</b>	white	+\$0
<b>CL</b>	cool grey neutral	+\$0
<b>G1</b>	graphite	+\$0
<b>WN</b>	warm grey neutral	+\$0

Step 7. Pull Finish		
<b>G2</b>	graphite satin	+\$0
<b>CS</b>	brushed copper	+\$35
<b>U1</b>	brushed aluminum	+\$35

Step 8. Top		
<b>T1</b>	1"-high squared-edge top	+\$0
<b>T2</b>	1 <sup>1</sup> / <sub>4</sub> "-high squared-edge top	+\$0
<b>J3</b>	1 <sup>1</sup> / <sub>4</sub> "-high cathedral recut veneer top <span style="border: 1px solid black; padding: 0 2px;">A</span>	+\$204
<b>TF</b>	1 <sup>1</sup> / <sub>4</sub> "-high wood veneer top <span style="border: 1px solid black; padding: 0 2px;">A</span>	+\$210
<b>D1</b>	6 <sup>1</sup> / <sub>2</sub> "-high full dome, side-to-side	+\$210
<b>D2</b>	6 <sup>1</sup> / <sub>2</sub> "-high full dome, front-to-back	+\$210
<b>H1</b>	6 <sup>1</sup> / <sub>2</sub> "-high half dome, sloping left	+\$210
<b>H2</b>	6 <sup>1</sup> / <sub>2</sub> "-high half dome, sloping right	+\$210
<b>H3</b>	6 <sup>1</sup> / <sub>2</sub> "-high half dome, sloping front	+\$210
<b>H4</b>	6 <sup>1</sup> / <sub>2</sub> "-high half dome, sloping back	+\$210
<b>TV1</b>	1 <sup>1</sup> / <sub>8</sub> "-high wood veneer top and wood composite edge with oversail front <span style="border: 1px solid black; padding: 0 2px;">A</span>	+\$315

Step 9.		
Veneer Top Finish: Wood Veneer		
<i>For painted metal front (P.24) with 1<sup>1</sup>/<sub>8</sub>"-high wood veneer top and wood composite edge with oversail front (TV1)</i>		
<b>ED</b>	aged cherry <span style="border: 1px solid black; padding: 0 2px;">A</span>	+\$24
<b>EG</b>	medium brown walnut <span style="border: 1px solid black; padding: 0 2px;">A</span>	+\$24
<b>EK</b>	medium red walnut <span style="border: 1px solid black; padding: 0 2px;">A</span>	+\$24
<b>EY</b>	light anigre <span style="border: 1px solid black; padding: 0 2px;">A</span>	+\$24
<b>UL</b>	natural maple <span style="border: 1px solid black; padding: 0 2px;">A</span>	+\$24
<b>UQ</b>	light cherry <span style="border: 1px solid black; padding: 0 2px;">A</span>	+\$24
<b>UV</b>	red cherry <span style="border: 1px solid black; padding: 0 2px;">A</span>	+\$24
<b>UX</b>	walnut on cherry <span style="border: 1px solid black; padding: 0 2px;">A</span>	+\$24

Veneer Top Finish: Recut Veneer		
<i>For painted metal front (P.24) with 1<sup>1</sup>/<sub>4</sub>"-high cathedral recut veneer top (J3)</i>		
<b>DU</b>	cathedral recut natural maple <span style="border: 1px solid black; padding: 0 2px;">A</span>	+\$0
<b>HU</b>	cathedral recut light anigre <span style="border: 1px solid black; padding: 0 2px;">A</span>	+\$0
<b>JU</b>	cathedral recut aged cherry <span style="border: 1px solid black; padding: 0 2px;">A</span>	+\$0
<b>VU</b>	cathedral recut light brown walnut <span style="border: 1px solid black; padding: 0 2px;">A</span>	+\$0
<b>WU</b>	cathedral recut walnut on cherry <span style="border: 1px solid black; padding: 0 2px;">A</span>	+\$0
<b>XU</b>	cathedral recut medium red cherry <span style="border: 1px solid black; padding: 0 2px;">A</span>	+\$0
<b>ZU</b>	cathedral recut chocolate brown sapele <span style="border: 1px solid black; padding: 0 2px;">A</span>	+\$0

Veneer Top Finish: Wood Veneer		
<i>For painted metal front (P.24) with 1<sup>1</sup>/<sub>4</sub>"-high wood veneer top (TF)</i>		
<b>V3</b>	cherry <span style="border: 1px solid black; padding: 0 2px;">A</span>	+\$18
<b>Z3</b>	warm red cherry <span style="border: 1px solid black; padding: 0 2px;">A</span>	+\$18
<b>Z5</b>	maple <span style="border: 1px solid black; padding: 0 2px;">A</span>	+\$18
<b>2U</b>	light brown walnut <span style="border: 1px solid black; padding: 0 2px;">A</span>	+\$24
<b>3U</b>	medium red cherry <span style="border: 1px solid black; padding: 0 2px;">A</span>	+\$24
<b>6U</b>	chocolate brown sapele <span style="border: 1px solid black; padding: 0 2px;">A</span>	+\$24
<b>ED</b>	aged cherry <span style="border: 1px solid black; padding: 0 2px;">A</span>	+\$24
<b>EG</b>	medium brown walnut <span style="border: 1px solid black; padding: 0 2px;">A</span>	+\$24
<b>EK</b>	medium red walnut <span style="border: 1px solid black; padding: 0 2px;">A</span>	+\$24
<b>EY</b>	light anigre <span style="border: 1px solid black; padding: 0 2px;">A</span>	+\$24
<b>UL</b>	natural maple <span style="border: 1px solid black; padding: 0 2px;">A</span>	+\$24
<b>UQ</b>	light cherry <span style="border: 1px solid black; padding: 0 2px;">A</span>	+\$24
<b>UV</b>	red cherry <span style="border: 1px solid black; padding: 0 2px;">A</span>	+\$24
<b>UX</b>	walnut on cherry <span style="border: 1px solid black; padding: 0 2px;">A</span>	+\$24

# Mobile Vertical Tower with Wardrobe, Sloped Pull *continued*

## Veneer Front Finish: Recut Veneer

For veneer front (V.24) with 1"-high squared-edge top (T1), 1¼"-high squared-edge top (T2), 6½"-high full dome, side-to-side (D1), 6½"-high full dome, front-to-back (D2), 6½"-high half dome, sloping left (H1), 6½"-high half dome, sloping right (H2), 6½"-high half dome, sloping front (H3), or 6½"-high half dome, sloping back (H4)

<b>DU</b>	cathedral recut natural maple <span style="border: 1px solid black; padding: 0 2px;">A</span>	+\$0
<b>HU</b>	cathedral recut light anigre <span style="border: 1px solid black; padding: 0 2px;">A</span>	+\$0
<b>JU</b>	cathedral recut aged cherry <span style="border: 1px solid black; padding: 0 2px;">A</span>	+\$0
<b>VU</b>	cathedral recut light brown walnut <span style="border: 1px solid black; padding: 0 2px;">A</span>	+\$0
<b>WU</b>	cathedral recut walnut on cherry <span style="border: 1px solid black; padding: 0 2px;">A</span>	+\$0
<b>XU</b>	cathedral recut medium red cherry <span style="border: 1px solid black; padding: 0 2px;">A</span>	+\$0
<b>ZU</b>	cathedral recut chocolate brown sapele <span style="border: 1px solid black; padding: 0 2px;">A</span>	+\$0

## Veneer Front Finish: Wood Veneer

For veneer front (V.24) with 1"-high squared-edge top (T1), 1¼"-high squared-edge top (T2), 6½"-high full dome, side-to-side (D1), 6½"-high full dome, front-to-back (D2), 6½"-high half dome, sloping left (H1), 6½"-high half dome, sloping right (H2), 6½"-high half dome, sloping front (H3), or 6½"-high half dome, sloping back (H4)

<b>V3</b>	cherry <span style="border: 1px solid black; padding: 0 2px;">A</span>	+\$53
<b>Z3</b>	warm red cherry <span style="border: 1px solid black; padding: 0 2px;">A</span>	+\$53
<b>Z5</b>	maple <span style="border: 1px solid black; padding: 0 2px;">A</span>	+\$53
<b>2U</b>	light brown walnut <span style="border: 1px solid black; padding: 0 2px;">A</span>	+\$66
<b>3U</b>	medium red cherry <span style="border: 1px solid black; padding: 0 2px;">A</span>	+\$66
<b>6U</b>	chocolate brown sapele <span style="border: 1px solid black; padding: 0 2px;">A</span>	+\$66
<b>ED</b>	aged cherry <span style="border: 1px solid black; padding: 0 2px;">A</span>	+\$66
<b>EG</b>	medium brown walnut <span style="border: 1px solid black; padding: 0 2px;">A</span>	+\$66
<b>EK</b>	medium red walnut <span style="border: 1px solid black; padding: 0 2px;">A</span>	+\$66
<b>EY</b>	light anigre <span style="border: 1px solid black; padding: 0 2px;">A</span>	+\$66
<b>UL</b>	natural maple <span style="border: 1px solid black; padding: 0 2px;">A</span>	+\$66
<b>UQ</b>	light cherry <span style="border: 1px solid black; padding: 0 2px;">A</span>	+\$66
<b>UV</b>	red cherry <span style="border: 1px solid black; padding: 0 2px;">A</span>	+\$66
<b>UX</b>	walnut on cherry <span style="border: 1px solid black; padding: 0 2px;">A</span>	+\$66

## Veneer Front/Top Finish: Wood Veneer

For veneer front (V.24) with 1⅛"-high wood veneer top and wood composite edge with oversail front (TV1)

<b>ED</b>	aged cherry <span style="border: 1px solid black; padding: 0 2px;">A</span>	+\$66
<b>EG</b>	medium brown walnut <span style="border: 1px solid black; padding: 0 2px;">A</span>	+\$66
<b>EK</b>	medium red walnut <span style="border: 1px solid black; padding: 0 2px;">A</span>	+\$66
<b>EY</b>	light anigre <span style="border: 1px solid black; padding: 0 2px;">A</span>	+\$66
<b>UL</b>	natural maple <span style="border: 1px solid black; padding: 0 2px;">A</span>	+\$66
<b>UQ</b>	light cherry <span style="border: 1px solid black; padding: 0 2px;">A</span>	+\$66
<b>UV</b>	red cherry <span style="border: 1px solid black; padding: 0 2px;">A</span>	+\$66
<b>UX</b>	walnut on cherry <span style="border: 1px solid black; padding: 0 2px;">A</span>	+\$66

## Veneer Front/Top Finish: Recut Veneer

For veneer front (V.24) with 1¼"-high cathedral recut veneer top (J3)

<b>DU</b>	cathedral recut natural maple <span style="border: 1px solid black; padding: 0 2px;">A</span>	+\$0
<b>HU</b>	cathedral recut light anigre <span style="border: 1px solid black; padding: 0 2px;">A</span>	+\$0
<b>JU</b>	cathedral recut aged cherry <span style="border: 1px solid black; padding: 0 2px;">A</span>	+\$0
<b>VU</b>	cathedral recut light brown walnut <span style="border: 1px solid black; padding: 0 2px;">A</span>	+\$0
<b>WU</b>	cathedral recut walnut on cherry <span style="border: 1px solid black; padding: 0 2px;">A</span>	+\$0
<b>XU</b>	cathedral recut medium red cherry <span style="border: 1px solid black; padding: 0 2px;">A</span>	+\$0
<b>ZU</b>	cathedral recut chocolate brown sapele <span style="border: 1px solid black; padding: 0 2px;">A</span>	+\$0

## Veneer Front/Top Finish: Wood Veneer

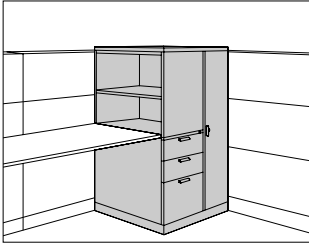
For veneer front (V.24) with 1¼"-high wood veneer top (TF)

<b>V3</b>	cherry <span style="border: 1px solid black; padding: 0 2px;">A</span>	+\$53
<b>Z3</b>	warm red cherry <span style="border: 1px solid black; padding: 0 2px;">A</span>	+\$53
<b>Z5</b>	maple <span style="border: 1px solid black; padding: 0 2px;">A</span>	+\$53
<b>2U</b>	light brown walnut <span style="border: 1px solid black; padding: 0 2px;">A</span>	+\$66
<b>3U</b>	medium red cherry <span style="border: 1px solid black; padding: 0 2px;">A</span>	+\$66
<b>6U</b>	chocolate brown sapele <span style="border: 1px solid black; padding: 0 2px;">A</span>	+\$66
<b>ED</b>	aged cherry <span style="border: 1px solid black; padding: 0 2px;">A</span>	+\$66
<b>EG</b>	medium brown walnut <span style="border: 1px solid black; padding: 0 2px;">A</span>	+\$66
<b>EK</b>	medium red walnut <span style="border: 1px solid black; padding: 0 2px;">A</span>	+\$66
<b>EY</b>	light anigre <span style="border: 1px solid black; padding: 0 2px;">A</span>	+\$66
<b>UL</b>	natural maple <span style="border: 1px solid black; padding: 0 2px;">A</span>	+\$66
<b>UQ</b>	light cherry <span style="border: 1px solid black; padding: 0 2px;">A</span>	+\$66
<b>UV</b>	red cherry <span style="border: 1px solid black; padding: 0 2px;">A</span>	+\$66
<b>UX</b>	walnut on cherry <span style="border: 1px solid black; padding: 0 2px;">A</span>	+\$66

## Step 10. Lock

<b>KA</b>	keyed alike	+\$0
<b>KC</b>	keyed differently, chrome	+\$0
<b>KD</b>	keyed differently, black	+\$0

## Vertical Tower with Wardrobe and Side-Facing Bookcase, Sloped Pull



MTB1P.  
MTB1V.  
MTB2P.  
MTB2V.  
MTB3P.  
MTB3V.  
MTB4P.  
MTB4V.  
MTB5P.  
MTB5V.  
MTB6P.  
MTB6V.

### Product Information

#### Description

This freestanding storage tower has a wardrobe and modules for display materials, binders, filing materials, and personal items. It is available in 3 heights and has a wardrobe on 1 side and a side-facing bookcase and drawers on the other side. The tower is available in smooth or textured steel. The tower has a metal or veneer top, sloped pulls, and painted metal or veneer fronts. 5 base heights are available; all bases include adjustable glides.

The 24"-wide tower has a 9"-wide wardrobe; the 30"-wide tower has a 15"-wide wardrobe. Both wardrobes include a side-to-side coat rod and lock. Letter-width file drawers include a file compressor; box drawers include an adjustable metal divider.

The 23½"-high bookcase includes 1 adjustable shelf to create openings for 1 row of binders and 1 row of display material. The 26¼"- and 27⅝"-high bookcases include 1 adjustable shelf to create openings for 2 rows of binders or display materials. The 35¼"-high bookcase includes 2 adjustable shelves to create openings for 2 rows of binders and 1 row of display materials. The 39⅜"-high bookcase includes 2 adjustable shelves to create openings for 3 rows of binders. Shelves adjust in 1¼" increments.

#### Notes

Front-facing filing module is the reference point when specifying location of wardrobe and orientation of full- or half-dome top.

When specifying tower with 2 file drawers (R) and aligning bookcase with standard 29"-high work surface, specify 3¼"-high base (B<sub>4</sub>).

2 box drawers may be specified in place of 1 file drawer in predetermined locations.

Dimensional illustrations do not include all possible configurations.

For veneer-front tower, bookcase end panel (which faces front) is metal.

Doors, drawers, and fascia strip are veneer.

Grain direction is vertical for veneer-front towers.

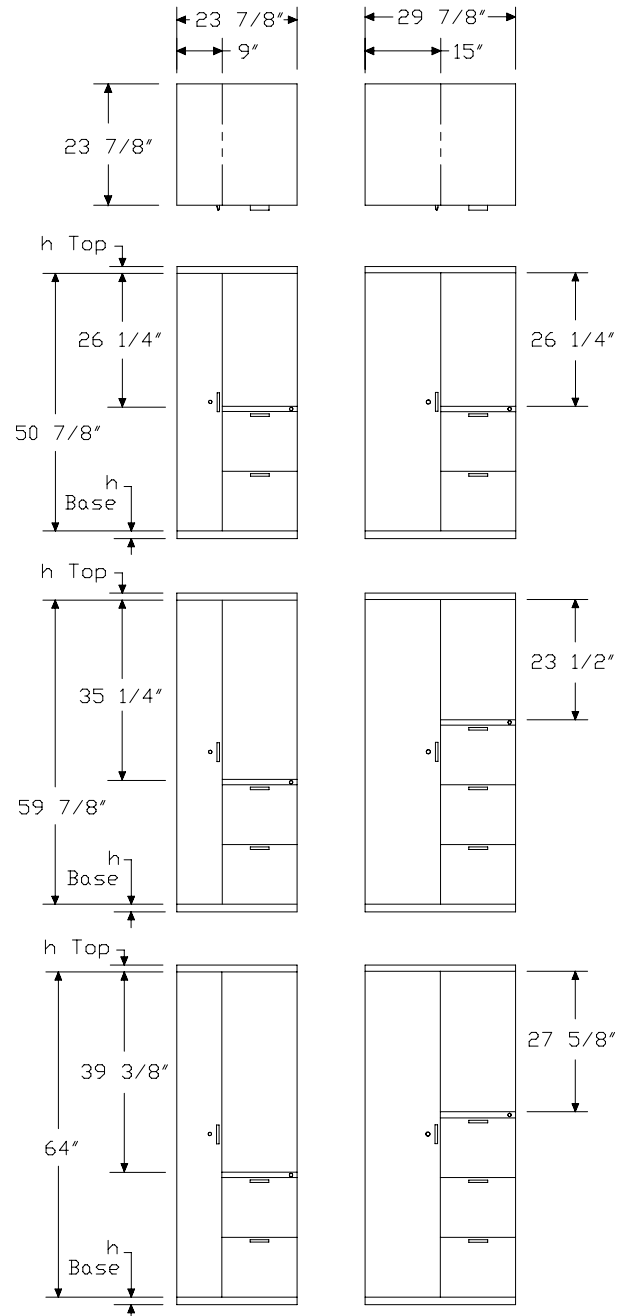
Order optional accessories separately:

- Adjustable shelf for side-facing bookcase (MTAS.A)
- Drawer divider (73-1567-D)
- File drawer organizer (73-9874-FDO)
- Pencil tray (73-1516-PT)
- Stationery tray (73-7082-SST)

All locks in unit are factory installed and are keyed alike within unit. For specific numbering choices, specify KA and order lock plugs separately.

See Keyed-Alike Information in Appendices.

### Dimensions



# Vertical Tower with Wardrobe and Side-Facing Bookcase, Sloped Pull *continued*

## Specification Information

### Step 1.

**MTB**

### Step 2. Height/Wardrobe Location

<b>1</b>	50 <sup>7</sup> / <sub>8</sub> " high, wardrobe left
<b>2</b>	50 <sup>7</sup> / <sub>8</sub> " high, wardrobe right
<b>3</b>	59 <sup>7</sup> / <sub>8</sub> " high, wardrobe left
<b>4</b>	59 <sup>7</sup> / <sub>8</sub> " high, wardrobe right
<b>5</b>	64" high, wardrobe left
<b>6</b>	64" high, wardrobe right

### Step 3. Front Material

<b>P.</b>	painting metal front
<b>V.</b>	vener front <input type="checkbox"/> <b>A</b>

### Step 4. Width

<b>24</b>	24" wide
<b>30</b>	30" wide

### Step 5. Drawer Configuration

*For 50<sup>7</sup>/<sub>8</sub>" high, wardrobe left (1) or 50<sup>7</sup>/<sub>8</sub>" high, wardrobe right (2)*

<b>RF</b>	file/file
<b>SF</b>	box/box/file

*For 59<sup>7</sup>/<sub>8</sub>" high, wardrobe left (3), 59<sup>7</sup>/<sub>8</sub>" high, wardrobe right (4), 64" high, wardrobe left (5), or 64" high, wardrobe right (6)*

<b>RF</b>	file/file
<b>SF</b>	box/box/file
<b>TF</b>	file/file/file
<b>VF</b>	box/box/file/file

### Step 6. Paint/Steel Type

<b>S</b>	smooth paint on smooth steel
<b>T</b>	smooth paint on textured steel
<b>X</b>	textured paint on smooth steel

### Prices for Steps 1-6.

	<b>S</b>	<b>T</b>	<b>X</b>
<b>MTB1P.24 RF</b>	\$1946	1946	1946
<b>SF</b>	\$1994	1994	1994
<b>30 RF</b>	\$1964	1964	1964
<b>SF</b>	\$2012	2012	2012
<b>MTB1V.24 RF</b>	\$3548	3548	3548
<b>SF</b>	\$3646	3646	3646

<b>30 RF</b>	\$3657	3657	3657
<b>SF</b>	\$3754	3754	3754
<b>MTB2P.24 RF</b>	\$1946	1946	1946
<b>SF</b>	\$1994	1994	1994
<b>30 RF</b>	\$1964	1964	1964
<b>SF</b>	\$2012	2012	2012
<b>MTB2V.24 RF</b>	\$3548	3548	3548
<b>SF</b>	\$3646	3646	3646
<b>30 RF</b>	\$3657	3657	3657
<b>SF</b>	\$3754	3754	3754
<b>MTB3P.24 RF</b>	\$1968	1968	1968
<b>SF</b>	\$2017	2017	2017
<b>TF</b>	\$2144	2144	2144
<b>VF</b>	\$2193	2193	2193
<b>30 RF</b>	\$1985	1985	1985
<b>SF</b>	\$2033	2033	2033
<b>TF</b>	\$2162	2162	2162
<b>VF</b>	\$2209	2209	2209
<b>MTB3V.24 RF</b>	\$3783	3783	3783
<b>SF</b>	\$3880	3880	3880
<b>TF</b>	\$4141	4141	4141
<b>VF</b>	\$4237	4237	4237
<b>30 RF</b>	\$3889	3889	3889
<b>SF</b>	\$3986	3986	3986
<b>TF</b>	\$4248	4248	4248
<b>VF</b>	\$4345	4345	4345
<b>MTB4P.24 RF</b>	\$1968	1968	1968
<b>SF</b>	\$2017	2017	2017
<b>TF</b>	\$2144	2144	2144
<b>VF</b>	\$2193	2193	2193
<b>30 RF</b>	\$1985	1985	1985
<b>SF</b>	\$2033	2033	2033
<b>TF</b>	\$2162	2162	2162
<b>VF</b>	\$2209	2209	2209
<b>MTB4V.24 RF</b>	\$3783	3783	3783
<b>SF</b>	\$3880	3880	3880
<b>TF</b>	\$4141	4141	4141
<b>VF</b>	\$4237	4237	4237

Vertical Tower with Wardrobe and Side-Facing Bookcase, Sloped Pull *continued*

Meridian® Vertical Storage Towers

<b>30 RF</b>	\$3889	3889	3889
<b>SF</b>	\$3986	3986	3986
<b>TF</b>	\$4248	4248	4248
<b>VF</b>	\$4345	4345	4345
<hr/>			
<b>MTB5P.24 RF</b>	\$2022	2022	2022
<b>SF</b>	\$2070	2070	2070
<b>TF</b>	\$2199	2199	2199
<b>VF</b>	\$2247	2247	2247
<hr/>			
<b>30 RF</b>	\$2040	2040	2040
<b>SF</b>	\$2088	2088	2088
<b>TF</b>	\$2217	2217	2217
<b>VF</b>	\$2265	2265	2265
<hr/>			
<b>MTB5V.24 RF</b>	\$3958	3958	3958
<b>SF</b>	\$4054	4054	4054
<b>TF</b>	\$4316	4316	4316
<b>VF</b>	\$4413	4413	4413
<hr/>			
<b>30 RF</b>	\$4065	4065	4065
<b>SF</b>	\$4162	4162	4162
<b>TF</b>	\$4423	4423	4423
<b>VF</b>	\$4520	4520	4520
<hr/>			
<b>MTB6P.24 RF</b>	\$2022	2022	2022
<b>SF</b>	\$2070	2070	2070
<b>TF</b>	\$2199	2199	2199
<b>VF</b>	\$2247	2247	2247
<hr/>			
<b>30 RF</b>	\$2040	2040	2040
<b>SF</b>	\$2088	2088	2088
<b>TF</b>	\$2217	2217	2217
<b>VF</b>	\$2265	2265	2265
<hr/>			
<b>MTB6V.24 RF</b>	\$3958	3958	3958
<b>SF</b>	\$4054	4054	4054
<b>TF</b>	\$4316	4316	4316
<b>VF</b>	\$4413	4413	4413
<hr/>			
<b>30 RF</b>	\$4065	4065	4065
<b>SF</b>	\$4162	4162	4162
<b>TF</b>	\$4423	4423	4423
<b>VF</b>	\$4520	4520	4520

Step 7. Surface Finish

<i>For smooth paint on smooth steel (S) or smooth paint on textured steel (T)</i>	
Nonmetallic Paint	+\$0
Metallic Paint	+\$100

Sand Texture Paint		
<i>For textured paint on smooth steel (X)</i>		
<b>7L</b>	dune	+\$0
<b>7M</b>	chai	+\$0
<b>7N</b>	grass	+\$0
<b>7U</b>	blue ridge	+\$0
<b>7V</b>	loden	+\$0
<b>7W</b>	napa	+\$0
<b>7Y</b>	sedona	+\$0
<b>7Z</b>	mink	+\$0
<b>8T</b>	gull	+\$0
<b>8Y</b>	moonbeam	+\$0
<b>B4</b>	blue medium	+\$0
<b>ZK</b>	cappuccino	+\$0

Bright Sand Texture Paint		
<i>For textured paint on smooth steel (X)</i>		
<b>91</b>	white	+\$0
<b>CL</b>	cool grey neutral	+\$0
<b>G1</b>	graphite	+\$0
<b>WN</b>	warm grey neutral	+\$0

Step 8. Pull Finish

<b>G2</b>	graphite satin	+\$0
<b>CS</b>	brushed copper	+\$35
<b>U1</b>	brushed aluminum	+\$35

Step 9. Top

		<b>24</b>	<b>30</b>
<b>T1</b>	1"-high squared-edge top	+\$0	0
<b>T2</b>	1 1/4"-high squared-edge top	+\$0	0
<b>J3</b>	1 1/4"-high cathedral recut veneer top <b>A</b>	+\$204	224
<b>TF</b>	1 1/4"-high wood veneer top <b>A</b>	+\$210	231
<b>D1</b>	6 1/2"-high full dome, side-to-side	+\$210	231
<b>D2</b>	6 1/2"-high full dome, front-to-back	+\$210	231
<b>H1</b>	6 1/2"-high half dome, sloping left	+\$210	231
<b>H2</b>	6 1/2"-high half dome, sloping right	+\$210	231
<b>H3</b>	6 1/2"-high half dome, sloping front	+\$210	231
<b>H4</b>	6 1/2"-high half dome, sloping back	+\$210	231
<b>TV1</b>	1 1/8"-high wood veneer top and wood composite edge with oversail front <b>A</b>	+\$315	315

# Vertical Tower with Wardrobe and Side-Facing Bookcase, Sloped Pull *continued*

## Step 10.

### Veneer Top Finish: Wood Veneer

*For painted metal front (P) with 1<sup>1</sup>/<sub>8</sub>"-high wood veneer top and wood composite edge with oversail front (TV1)*

<b>ED</b>	aged cherry [A]	+\$24
<b>EG</b>	medium brown walnut [A]	+\$24
<b>EK</b>	medium red walnut [A]	+\$24
<b>EY</b>	light anigre [A]	+\$24
<b>UL</b>	natural maple [A]	+\$24
<b>UQ</b>	light cherry [A]	+\$24
<b>UV</b>	red cherry [A]	+\$24
<b>UX</b>	walnut on cherry [A]	+\$24

### Veneer Top Finish: Recut Veneer

*For painted metal front (P) with 1<sup>1</sup>/<sub>4</sub>"-high cathedral recut veneer top (J3)*

<b>DU</b>	cathedral recut natural maple [A]	+\$0
<b>HU</b>	cathedral recut light anigre [A]	+\$0
<b>JU</b>	cathedral recut aged cherry [A]	+\$0
<b>VU</b>	cathedral recut light brown walnut [A]	+\$0
<b>WU</b>	cathedral recut walnut on cherry [A]	+\$0
<b>XU</b>	cathedral recut medium red cherry [A]	+\$0
<b>ZU</b>	cathedral recut chocolate brown sapele [A]	+\$0

### Veneer Top Finish: Wood Veneer

*For painted metal front (P) with 1<sup>1</sup>/<sub>4</sub>"-high wood veneer top (TF)*

<b>V3</b>	cherry [A]	+\$18
<b>Z3</b>	warm red cherry [A]	+\$18
<b>Z5</b>	maple [A]	+\$18
<b>2U</b>	light brown walnut [A]	+\$24
<b>3U</b>	medium red cherry [A]	+\$24
<b>6U</b>	chocolate brown sapele [A]	+\$24
<b>ED</b>	aged cherry [A]	+\$24
<b>EG</b>	medium brown walnut [A]	+\$24
<b>EK</b>	medium red walnut [A]	+\$24
<b>EY</b>	light anigre [A]	+\$24
<b>UL</b>	natural maple [A]	+\$24
<b>UQ</b>	light cherry [A]	+\$24
<b>UV</b>	red cherry [A]	+\$24
<b>UX</b>	walnut on cherry [A]	+\$24

### Veneer Front Finish: Recut Veneer

*For veneer front (V) with 1"-high squared-edge top (T1), 1<sup>1</sup>/<sub>4</sub>"-high squared-edge top (T2), 6<sup>1</sup>/<sub>2</sub>"-high full dome, side-to-side (D1), 6<sup>1</sup>/<sub>2</sub>"-high full dome, front-to-back (D2), 6<sup>1</sup>/<sub>2</sub>"-high half dome, sloping left (H1), 6<sup>1</sup>/<sub>2</sub>"-high half dome, sloping right (H2), 6<sup>1</sup>/<sub>2</sub>"-high half dome, sloping front (H3), or 6<sup>1</sup>/<sub>2</sub>"-high half dome, sloping back (H4)*

<b>DU</b>	cathedral recut natural maple [A]	+\$0
<b>HU</b>	cathedral recut light anigre [A]	+\$0
<b>JU</b>	cathedral recut aged cherry [A]	+\$0
<b>VU</b>	cathedral recut light brown walnut [A]	+\$0
<b>WU</b>	cathedral recut walnut on cherry [A]	+\$0
<b>XU</b>	cathedral recut medium red cherry [A]	+\$0
<b>ZU</b>	cathedral recut chocolate brown sapele [A]	+\$0

### Veneer Front Finish: Wood Veneer

*For veneer front (V) with 1"-high squared-edge top (T1), 1<sup>1</sup>/<sub>4</sub>"-high squared-edge top (T2), 6<sup>1</sup>/<sub>2</sub>"-high full dome, side-to-side (D1), 6<sup>1</sup>/<sub>2</sub>"-high full dome, front-to-back (D2), 6<sup>1</sup>/<sub>2</sub>"-high half dome, sloping left (H1), 6<sup>1</sup>/<sub>2</sub>"-high half dome, sloping right (H2), 6<sup>1</sup>/<sub>2</sub>"-high half dome, sloping front (H3), or 6<sup>1</sup>/<sub>2</sub>"-high half dome, sloping back (H4)*

<b>V3</b>	cherry [A]	+\$85
<b>Z3</b>	warm red cherry [A]	+\$85
<b>Z5</b>	maple [A]	+\$85
<b>2U</b>	light brown walnut [A]	+\$106
<b>3U</b>	medium red cherry [A]	+\$106
<b>6U</b>	chocolate brown sapele [A]	+\$106
<b>ED</b>	aged cherry [A]	+\$106
<b>EG</b>	medium brown walnut [A]	+\$106
<b>EK</b>	medium red walnut [A]	+\$106
<b>EY</b>	light anigre [A]	+\$106
<b>UL</b>	natural maple [A]	+\$106
<b>UQ</b>	light cherry [A]	+\$106
<b>UV</b>	red cherry [A]	+\$106
<b>UX</b>	walnut on cherry [A]	+\$106

### Veneer Front/Top Finish: Wood Veneer

*For veneer front (V) with 1<sup>1</sup>/<sub>8</sub>"-high wood veneer top and wood composite edge with oversail front (TV1)*

<b>ED</b>	aged cherry [A]	+\$106
<b>EG</b>	medium brown walnut [A]	+\$106
<b>EK</b>	medium red walnut [A]	+\$106
<b>EY</b>	light anigre [A]	+\$106
<b>UL</b>	natural maple [A]	+\$106
<b>UQ</b>	light cherry [A]	+\$106
<b>UV</b>	red cherry [A]	+\$106
<b>UX</b>	walnut on cherry [A]	+\$106

# Vertical Tower with Wardrobe and Side-Facing Bookcase, Sloped Pull *continued*

---

Veneer Front/Top Finish: Recut Veneer  
*For veneer front (V.) with 1<sup>1</sup>/<sub>4</sub>"-high cathedral recut veneer top (J3)*

<b>DU</b>	cathedral recut natural maple <input type="checkbox"/> A	+\$0
<b>HU</b>	cathedral recut light anigre <input type="checkbox"/> A	+\$0
<b>JU</b>	cathedral recut aged cherry <input type="checkbox"/> A	+\$0
<b>VU</b>	cathedral recut light brown walnut <input type="checkbox"/> A	+\$0
<b>WU</b>	cathedral recut walnut on cherry <input type="checkbox"/> A	+\$0
<b>XU</b>	cathedral recut medium red cherry <input type="checkbox"/> A	+\$0
<b>ZU</b>	cathedral recut chocolate brown sapele <input type="checkbox"/> A	+\$0

---

Veneer Front/Top Finish: Wood Veneer  
*For veneer front (V.) with 1<sup>1</sup>/<sub>4</sub>"-high wood veneer top (TF)*

<b>V3</b>	cherry <input type="checkbox"/> A	+\$85
<b>Z3</b>	warm red cherry <input type="checkbox"/> A	+\$85
<b>Z5</b>	maple <input type="checkbox"/> A	+\$85
<b>2U</b>	light brown walnut <input type="checkbox"/> A	+\$106
<b>3U</b>	medium red cherry <input type="checkbox"/> A	+\$106
<b>6U</b>	chocolate brown sapele <input type="checkbox"/> A	+\$106
<b>ED</b>	aged cherry <input type="checkbox"/> A	+\$106
<b>EG</b>	medium brown walnut <input type="checkbox"/> A	+\$106
<b>EK</b>	medium red walnut <input type="checkbox"/> A	+\$106
<b>EY</b>	light anigre <input type="checkbox"/> A	+\$106
<b>UL</b>	natural maple <input type="checkbox"/> A	+\$106
<b>UQ</b>	light cherry <input type="checkbox"/> A	+\$106
<b>UV</b>	red cherry <input type="checkbox"/> A	+\$106
<b>UX</b>	walnut on cherry <input type="checkbox"/> A	+\$106

---

Step 11. Base Height

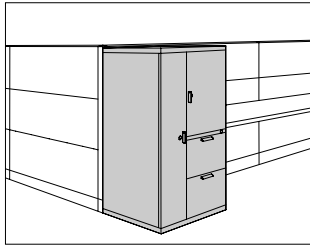
<b>B1</b>	1"-high base	+\$0
<b>B2</b>	1 <sup>1</sup> / <sub>2</sub> "-high base	+\$0
<b>B3</b>	2 <sup>1</sup> / <sub>4</sub> "-high base	+\$0
<b>B4</b>	3 <sup>1</sup> / <sub>4</sub> "-high base	+\$0
<b>B5</b>	4 <sup>1</sup> / <sub>4</sub> "-high base	+\$30

---

Step 12. Lock

<b>KA</b>	keyed alike	+\$0
<b>KC</b>	keyed differently, chrome	+\$0
<b>KD</b>	keyed differently, black	+\$0

## Vertical Tower with Wardrobe and Storage Case, Sloped Pull



MTV1P.  
MTV1V.  
MTV2P.  
MTV2V.  
MTV3P.  
MTV3V.  
MTV4P.  
MTV4V.  
MTV5P.

MTV5V.  
MTV6P.  
MTV6V.

### Product Information

#### Description

This freestanding storage tower has a wardrobe and modules for display materials, binders, filing materials, and personal items. It is available in 3 heights and has a wardrobe on 1 side and a storage case and drawers on the other side. Storage cases have 1 locking metal door or 1 nonlocking translucent door. The translucent door has a painted aluminum frame with a brushed aluminum (U1) sloped pull. Drawers, wardrobe, and storage case doors have sloped pulls and painted metal or veneer fronts. The tower is available in smooth or textured steel with a metal or veneer top. 5 base heights are available; all bases include adjustable glides.

The 24"-wide tower has a 9"-wide wardrobe; the 30"-wide tower has a 15"-wide wardrobe. Both wardrobes include a side-to-side coat rod and lock. Letter-width file drawers include a file compressor; box drawers include an adjustable metal divider. 1 lock controls all drawers.

The 23 $\frac{1}{2}$ "-high storage case includes 1 adjustable shelf to create openings for 1 row of binders and 1 row of display material. The 26 $\frac{1}{4}$ "- and 27 $\frac{5}{8}$ "-high storage cases include 1 adjustable shelf to create openings for 2 rows of binders or display materials. The 35 $\frac{1}{4}$ "-high storage case includes 2 adjustable shelves to create openings for 2 rows of binders and 1 row of display materials. The 39 $\frac{3}{8}$ "-high storage case includes 2 adjustable shelves to create openings for 3 rows of binders. Shelves adjust in 1 $\frac{1}{4}$ " increments.

#### Notes

Front-facing filing module is the reference point when specifying location of wardrobe and orientation of full- or half-dome top.

2 box drawers may be specified in place of 1 file drawer in predetermined locations.

Dimensional illustrations do not include all possible configurations.

For veneer-front tower, fascia strip is also veneer.

Grain direction is vertical for veneer-front towers.

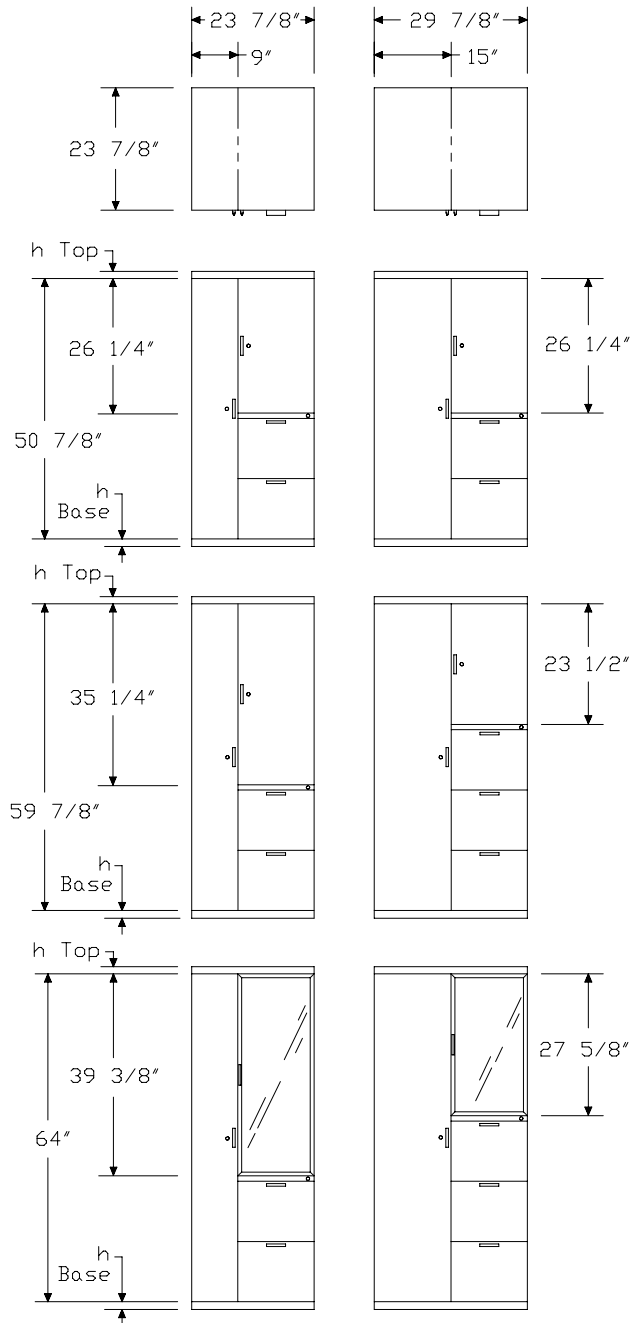
Order optional accessories separately:

- Adjustable shelf for storage case (MTAS.B)
- Drawer divider (73-1567-D)
- File drawer organizer (73-9874-FDO)
- Pencil tray (73-1516-PT)
- Stationery tray (73-7082-SST)

All locks in unit are factory installed and are keyed alike within the unit.

For specific numbering choices, specify KA and order lock plugs separately. See Keyed-Alike Information in Appendices.

### Dimensions



# Vertical Tower with Wardrobe and Storage Case, Sloped Pull *continued*

Specification Information	
Step 1.	
<b>MTV</b>	
Step 2. Height/Wardrobe Location	
1	50 <sup>7</sup> / <sub>8</sub> " high, wardrobe left
2	50 <sup>7</sup> / <sub>8</sub> " high, wardrobe right
3	59 <sup>7</sup> / <sub>8</sub> " high, wardrobe left
4	59 <sup>7</sup> / <sub>8</sub> " high, wardrobe right
5	64" high, wardrobe left
6	64" high, wardrobe right
Step 3. Front Material	
P.	painted metal front
V.	veneer front <input type="checkbox"/> A
Step 4. Width	
24	24" wide
30	30" wide
Step 5. Drawer Configuration	
<i>For 50<sup>7</sup>/<sub>8</sub>" high, wardrobe left (1) or 50<sup>7</sup>/<sub>8</sub>" high, wardrobe right (2)</i>	
R	file/file
S	box/box/file
<i>For 59<sup>7</sup>/<sub>8</sub>" high, wardrobe left (3), 59<sup>7</sup>/<sub>8</sub>" high, wardrobe right (4), 64" high, wardrobe left (5), or 64" high, wardrobe right (6)</i>	
R	file/file
S	box/box/file
T	file/file/file
V	box/box/file/file
Step 6. Storage Case Door	
<i>For painted metal front (P.)</i>	
F	painted metal door
C	clear translucent door <input type="checkbox"/> A
D	frosted translucent door <input type="checkbox"/> A
<i>For veneer front (V.)</i>	
F	veneer door
C	clear translucent door <input type="checkbox"/> A
D	frosted translucent door <input type="checkbox"/> A

Step 7. Paint/Steel Type							
S	smooth paint on smooth steel						
T	smooth paint on textured steel						
X	textured paint on smooth steel						
Prices for Steps 1-7.							
	FS	FT	FX	CS	CT	CX	DS
<b>MTV1P.24 R</b>	\$2153	2153	2153	2457	2457	2457	2457
<b>S</b>	\$2202	2202	2202	2505	2505	2505	2505
<b>30 R</b>	\$2171	2171	2171	2473	2473	2473	2473
<b>S</b>	\$2220	2220	2220	2520	2520	2520	2520
<b>MTV1V.24 R</b>	\$3757	3757	3757	3948	3948	3948	3948
<b>S</b>	\$3855	3855	3855	4044	4044	4044	4044
<b>30 R</b>	\$3864	3864	3864	4055	4055	4055	4055
<b>S</b>	\$3961	3961	3961	4153	4153	4153	4153
<b>MTV2P.24 R</b>	\$2153	2153	2153	2457	2457	2457	2457
<b>S</b>	\$2202	2202	2202	2505	2505	2505	2505
<b>30 R</b>	\$2171	2171	2171	2473	2473	2473	2473
<b>S</b>	\$2220	2220	2220	2520	2520	2520	2520
<b>MTV2V.24 R</b>	\$3757	3757	3757	3948	3948	3948	3948
<b>S</b>	\$3855	3855	3855	4044	4044	4044	4044
<b>30 R</b>	\$3864	3864	3864	4055	4055	4055	4055
<b>S</b>	\$3961	3961	3961	4153	4153	4153	4153
<b>MTV3P.24 R</b>	\$2176	2176	2176	2478	2478	2478	2478
<b>S</b>	\$2224	2224	2224	2526	2526	2526	2526
<b>T</b>	\$2327	2327	2327	2629	2629	2629	2629
<b>V</b>	\$2377	2377	2377	2677	2677	2677	2677
<b>30 R</b>	\$2193	2193	2193	2495	2495	2495	2495
<b>S</b>	\$2242	2242	2242	2542	2542	2542	2542
<b>T</b>	\$2344	2344	2344	2645	2645	2645	2645
<b>V</b>	\$2391	2391	2391	2693	2693	2693	2693
<b>MTV3V.24 R</b>	\$3990	3990	3990	4181	4181	4181	4181
<b>S</b>	\$4087	4087	4087	4277	4277	4277	4277
<b>T</b>	\$4323	4323	4323	4512	4512	4512	4512
<b>V</b>	\$4419	4419	4419	4608	4608	4608	4608
<b>30 R</b>	\$4098	4098	4098	4287	4287	4287	4287
<b>S</b>	\$4195	4195	4195	4385	4385	4385	4385
<b>T</b>	\$4432	4432	4432	4619	4619	4619	4619
<b>V</b>	\$4528	4528	4528	4715	4715	4715	4715

# Vertical Tower with Wardrobe and Storage Case, Sloped Pull *continued*

<b>MTV4P.24 R</b>	\$2176	2176	2176	2478	2478	2478	2478
<b>S</b>	\$2224	2224	2224	2526	2526	2526	2526
<b>T</b>	\$2327	2327	2327	2629	2629	2629	2629
<b>V</b>	\$2377	2377	2377	2677	2677	2677	2677
<b>30 R</b>	\$2193	2193	2193	2495	2495	2495	2495
<b>S</b>	\$2242	2242	2242	2542	2542	2542	2542
<b>T</b>	\$2344	2344	2344	2645	2645	2645	2645
<b>V</b>	\$2391	2391	2391	2693	2693	2693	2693

<b>MTV4V.24 R</b>	\$3990	3990	3990	4181	4181	4181	4181
<b>S</b>	\$4087	4087	4087	4277	4277	4277	4277
<b>T</b>	\$4323	4323	4323	4512	4512	4512	4512
<b>V</b>	\$4419	4419	4419	4608	4608	4608	4608
<b>30 R</b>	\$4098	4098	4098	4287	4287	4287	4287
<b>S</b>	\$4195	4195	4195	4385	4385	4385	4385
<b>T</b>	\$4432	4432	4432	4619	4619	4619	4619
<b>V</b>	\$4528	4528	4528	4715	4715	4715	4715

<b>MTV5P.24 R</b>	\$2230	2230	2230	2532	2532	2532	2532
<b>S</b>	\$2279	2279	2279	2581	2581	2581	2581
<b>T</b>	\$2382	2382	2382	2683	2683	2683	2683
<b>V</b>	\$2430	2430	2430	2730	2730	2730	2730
<b>30 R</b>	\$2247	2247	2247	2548	2548	2548	2548
<b>S</b>	\$2295	2295	2295	2597	2597	2597	2597
<b>T</b>	\$2400	2400	2400	2700	2700	2700	2700
<b>V</b>	\$2448	2448	2448	2747	2747	2747	2747

<b>MTV5V.24 R</b>	\$4166	4166	4166	4355	4355	4355	4355
<b>S</b>	\$4262	4262	4262	4453	4453	4453	4453
<b>T</b>	\$4498	4498	4498	4687	4687	4687	4687
<b>V</b>	\$4595	4595	4595	4782	4782	4782	4782
<b>30 R</b>	\$4274	4274	4274	4463	4463	4463	4463
<b>S</b>	\$4371	4371	4371	4559	4559	4559	4559
<b>T</b>	\$4606	4606	4606	4795	4795	4795	4795
<b>V</b>	\$4703	4703	4703	4892	4892	4892	4892

<b>MTV6P.24 R</b>	\$2230	2230	2230	2532	2532	2532	2532
<b>S</b>	\$2279	2279	2279	2581	2581	2581	2581
<b>T</b>	\$2382	2382	2382	2683	2683	2683	2683
<b>V</b>	\$2430	2430	2430	2730	2730	2730	2730
<b>30 R</b>	\$2247	2247	2247	2548	2548	2548	2548
<b>S</b>	\$2295	2295	2295	2597	2597	2597	2597
<b>T</b>	\$2400	2400	2400	2700	2700	2700	2700
<b>V</b>	\$2448	2448	2448	2747	2747	2747	2747

<b>MTV6V.24 R</b>	\$4166	4166	4166	4355	4355	4355	4355
<b>S</b>	\$4262	4262	4262	4453	4453	4453	4453
<b>T</b>	\$4498	4498	4498	4687	4687	4687	4687
<b>V</b>	\$4595	4595	4595	4782	4782	4782	4782
<b>30 R</b>	\$4274	4274	4274	4463	4463	4463	4463
<b>S</b>	\$4371	4371	4371	4559	4559	4559	4559
<b>T</b>	\$4606	4606	4606	4795	4795	4795	4795
<b>V</b>	\$4703	4703	4703	4892	4892	4892	4892

<b>MTV1P.24 R</b>						<b>DT</b>	<b>DX</b>
<b>S</b>						\$2457	2457
<b>30 R</b>						\$2505	2505
<b>S</b>						\$2473	2473
<b>S</b>						\$2520	2520

<b>MTV1V.24 R</b>						\$3948	3948
<b>S</b>						\$4044	4044
<b>30 R</b>						\$4055	4055
<b>S</b>						\$4153	4153

<b>MTV2P.24 R</b>						\$2457	2457
<b>S</b>						\$2505	2505
<b>30 R</b>						\$2473	2473
<b>S</b>						\$2520	2520

<b>MTV2V.24 R</b>						\$3948	3948
<b>S</b>						\$4044	4044
<b>30 R</b>						\$4055	4055
<b>S</b>						\$4153	4153

<b>MTV3P.24 R</b>						\$2478	2478
<b>S</b>						\$2526	2526
<b>T</b>						\$2629	2629
<b>V</b>						\$2677	2677
<b>30 R</b>						\$2495	2495
<b>S</b>						\$2542	2542
<b>T</b>						\$2645	2645
<b>V</b>						\$2693	2693

<b>MTV3V.24 R</b>						\$4181	4181
<b>S</b>						\$4277	4277
<b>T</b>						\$4512	4512
<b>V</b>						\$4608	4608
<b>30 R</b>						\$4287	4287
<b>S</b>						\$4385	4385
<b>T</b>						\$4619	4619
<b>V</b>						\$4715	4715

Meridian® Vertical Storage Towers

# Vertical Tower with Wardrobe and Storage Case, Sloped Pull *continued*

Meridian® Vertical Storage Towers

<b>MTV4P.24 R</b>	\$2478	2478
<b>S</b>	\$2526	2526
<b>T</b>	\$2629	2629
<b>V</b>	\$2677	2677
<b>30 R</b>	\$2495	2495
<b>S</b>	\$2542	2542
<b>T</b>	\$2645	2645
<b>V</b>	\$2693	2693
<hr/>		
<b>MTV4V.24 R</b>	\$4181	4181
<b>S</b>	\$4277	4277
<b>T</b>	\$4512	4512
<b>V</b>	\$4608	4608
<b>30 R</b>	\$4287	4287
<b>S</b>	\$4385	4385
<b>T</b>	\$4619	4619
<b>V</b>	\$4715	4715
<hr/>		
<b>MTV5P.24 R</b>	\$2532	2532
<b>S</b>	\$2581	2581
<b>T</b>	\$2683	2683
<b>V</b>	\$2730	2730
<b>30 R</b>	\$2548	2548
<b>S</b>	\$2597	2597
<b>T</b>	\$2700	2700
<b>V</b>	\$2747	2747
<hr/>		
<b>MTV5V.24 R</b>	\$4355	4355
<b>S</b>	\$4453	4453
<b>T</b>	\$4687	4687
<b>V</b>	\$4782	4782
<b>30 R</b>	\$4463	4463
<b>S</b>	\$4559	4559
<b>T</b>	\$4795	4795
<b>V</b>	\$4892	4892
<hr/>		
<b>MTV6P.24 R</b>	\$2532	2532
<b>S</b>	\$2581	2581
<b>T</b>	\$2683	2683
<b>V</b>	\$2730	2730
<b>30 R</b>	\$2548	2548
<b>S</b>	\$2597	2597
<b>T</b>	\$2700	2700
<b>V</b>	\$2747	2747

<b>MTV6V.24 R</b>	\$4355	4355
<b>S</b>	\$4453	4453
<b>T</b>	\$4687	4687
<b>V</b>	\$4782	4782
<b>30 R</b>	\$4463	4463
<b>S</b>	\$4559	4559
<b>T</b>	\$4795	4795
<b>V</b>	\$4892	4892

## Step 8. Surface Finish

*For smooth paint on smooth steel (S) or smooth paint on textured steel (T)*

Nonmetallic Paint	+\$0
Metallic Paint	+\$100

## Sand Texture Paint

*For textured paint on smooth steel (X)*

<b>7L</b> dune	+\$0
<b>7M</b> chai	+\$0
<b>7N</b> grass	+\$0
<b>7U</b> blue ridge	+\$0
<b>7V</b> loden	+\$0
<b>7W</b> napa	+\$0
<b>7Y</b> sedona	+\$0
<b>7Z</b> mink	+\$0
<b>8T</b> gull	+\$0
<b>8Y</b> moonbeam	+\$0
<b>B4</b> blue medium	+\$0
<b>ZK</b> cappuccino	+\$0

## Bright Sand Texture Paint

*For textured paint on smooth steel (X)*

<b>91</b> white	+\$0
<b>CL</b> cool grey neutral	+\$0
<b>G1</b> graphite	+\$0
<b>WN</b> warm grey neutral	+\$0

## Step 9. Pull Finish

<b>G2</b> graphite satin	+\$0
<b>CS</b> brushed copper	+\$35
<b>U1</b> brushed aluminum	+\$35

# Vertical Tower with Wardrobe and Storage Case, Sloped Pull *continued*

Step 10. Top			
		<b>24</b>	<b>30</b>
<b>T1</b>	1"-high squared-edge top	+\$0	0
<b>T2</b>	1¼"-high squared-edge top	+\$0	0
<b>J3</b>	1¼"-high cathedral recut veneer top <span style="border: 1px solid black; padding: 0 2px;">A</span>	+\$204	224
<b>TF</b>	1¼"-high wood veneer top <span style="border: 1px solid black; padding: 0 2px;">A</span>	+\$210	231
<b>D1</b>	6½"-high full dome, side-to-side	+\$210	231
<b>D2</b>	6½"-high full dome, front-to-back	+\$210	231
<b>H1</b>	6½"-high half dome, sloping left	+\$210	231
<b>H2</b>	6½"-high half dome, sloping right	+\$210	231
<b>H3</b>	6½"-high half dome, sloping front	+\$210	231
<b>H4</b>	6½"-high half dome, sloping back	+\$210	231
<b>TV1</b>	1⅛"-high wood veneer top and wood composite edge with oversail front <span style="border: 1px solid black; padding: 0 2px;">A</span>	+\$315	315

## Step 11.

### Veneer Top Finish: Wood Veneer

*For painted metal front (P) with 1⅛"-high wood veneer top and wood composite edge with oversail front (TV1)*

<b>ED</b>	aged cherry <span style="border: 1px solid black; padding: 0 2px;">A</span>	+\$24
<b>EG</b>	medium brown walnut <span style="border: 1px solid black; padding: 0 2px;">A</span>	+\$24
<b>EK</b>	medium red walnut <span style="border: 1px solid black; padding: 0 2px;">A</span>	+\$24
<b>EY</b>	light anigre <span style="border: 1px solid black; padding: 0 2px;">A</span>	+\$24
<b>UL</b>	natural maple <span style="border: 1px solid black; padding: 0 2px;">A</span>	+\$24
<b>UQ</b>	light cherry <span style="border: 1px solid black; padding: 0 2px;">A</span>	+\$24
<b>UV</b>	red cherry <span style="border: 1px solid black; padding: 0 2px;">A</span>	+\$24
<b>UX</b>	walnut on cherry <span style="border: 1px solid black; padding: 0 2px;">A</span>	+\$24

### Veneer Top Finish: Recut Veneer

*For painted metal front (P) with 1¼"-high cathedral recut veneer top (J3)*

<b>DU</b>	cathedral recut natural maple <span style="border: 1px solid black; padding: 0 2px;">A</span>	+\$0
<b>HU</b>	cathedral recut light anigre <span style="border: 1px solid black; padding: 0 2px;">A</span>	+\$0
<b>JU</b>	cathedral recut aged cherry <span style="border: 1px solid black; padding: 0 2px;">A</span>	+\$0
<b>VU</b>	cathedral recut light brown walnut <span style="border: 1px solid black; padding: 0 2px;">A</span>	+\$0
<b>WU</b>	cathedral recut walnut on cherry <span style="border: 1px solid black; padding: 0 2px;">A</span>	+\$0
<b>XU</b>	cathedral recut medium red cherry <span style="border: 1px solid black; padding: 0 2px;">A</span>	+\$0
<b>ZU</b>	cathedral recut chocolate brown sapele <span style="border: 1px solid black; padding: 0 2px;">A</span>	+\$0

### Veneer Top Finish: Wood Veneer

*For painted metal front (P) with 1¼"-high wood veneer top (TF)*

<b>V3</b>	cherry <span style="border: 1px solid black; padding: 0 2px;">A</span>	+\$18
<b>Z3</b>	warm red cherry <span style="border: 1px solid black; padding: 0 2px;">A</span>	+\$18
<b>Z5</b>	maple <span style="border: 1px solid black; padding: 0 2px;">A</span>	+\$18
<b>2U</b>	light brown walnut <span style="border: 1px solid black; padding: 0 2px;">A</span>	+\$24
<b>3U</b>	medium red cherry <span style="border: 1px solid black; padding: 0 2px;">A</span>	+\$24
<b>6U</b>	chocolate brown sapele <span style="border: 1px solid black; padding: 0 2px;">A</span>	+\$24
<b>ED</b>	aged cherry <span style="border: 1px solid black; padding: 0 2px;">A</span>	+\$24
<b>EG</b>	medium brown walnut <span style="border: 1px solid black; padding: 0 2px;">A</span>	+\$24
<b>EK</b>	medium red walnut <span style="border: 1px solid black; padding: 0 2px;">A</span>	+\$24
<b>EY</b>	light anigre <span style="border: 1px solid black; padding: 0 2px;">A</span>	+\$24
<b>UL</b>	natural maple <span style="border: 1px solid black; padding: 0 2px;">A</span>	+\$24
<b>UQ</b>	light cherry <span style="border: 1px solid black; padding: 0 2px;">A</span>	+\$24
<b>UV</b>	red cherry <span style="border: 1px solid black; padding: 0 2px;">A</span>	+\$24
<b>UX</b>	walnut on cherry <span style="border: 1px solid black; padding: 0 2px;">A</span>	+\$24

### Veneer Front Finish: Recut Veneer

*For veneer front (V) with 1"-high squared-edge top (T1), 1¼"-high squared-edge top (T2), 6½"-high full dome, side-to-side (D1), 6½"-high full dome, front-to-back (D2), 6½"-high half dome, sloping left (H1), 6½"-high half dome, sloping right (H2), 6½"-high half dome, sloping front (H3), or 6½"-high half dome, sloping back (H4)*

<b>DU</b>	cathedral recut natural maple <span style="border: 1px solid black; padding: 0 2px;">A</span>	+\$0
<b>HU</b>	cathedral recut light anigre <span style="border: 1px solid black; padding: 0 2px;">A</span>	+\$0
<b>JU</b>	cathedral recut aged cherry <span style="border: 1px solid black; padding: 0 2px;">A</span>	+\$0
<b>VU</b>	cathedral recut light brown walnut <span style="border: 1px solid black; padding: 0 2px;">A</span>	+\$0
<b>WU</b>	cathedral recut walnut on cherry <span style="border: 1px solid black; padding: 0 2px;">A</span>	+\$0
<b>XU</b>	cathedral recut medium red cherry <span style="border: 1px solid black; padding: 0 2px;">A</span>	+\$0
<b>ZU</b>	cathedral recut chocolate brown sapele <span style="border: 1px solid black; padding: 0 2px;">A</span>	+\$0

# Vertical Tower with Wardrobe and Storage Case, Sloped Pull *continued*

Veneer Front Finish: Wood Veneer

For veneer front (V.) with 1"-high squared-edge top (T1), 1¼"-high squared-edge top (T2), 6½"-high full dome, side-to-side (D1), 6½"-high full dome, front-to-back (D2), 6½"-high half dome, sloping left (H1), 6½"-high half dome, sloping right (H2), 6½"-high half dome, sloping front (H3), or 6½"-high half dome, sloping back (H4)

<b>V3</b>	cherry <input type="checkbox"/>	+\$85
<b>Z3</b>	warm red cherry <input type="checkbox"/>	+\$85
<b>Z5</b>	maple <input type="checkbox"/>	+\$85
<b>2U</b>	light brown walnut <input type="checkbox"/>	+\$106
<b>3U</b>	medium red cherry <input type="checkbox"/>	+\$106
<b>6U</b>	chocolate brown sapele <input type="checkbox"/>	+\$106
<b>ED</b>	aged cherry <input type="checkbox"/>	+\$106
<b>EG</b>	medium brown walnut <input type="checkbox"/>	+\$106
<b>EK</b>	medium red walnut <input type="checkbox"/>	+\$106
<b>EY</b>	light anigre <input type="checkbox"/>	+\$106
<b>UL</b>	natural maple <input type="checkbox"/>	+\$106
<b>UQ</b>	light cherry <input type="checkbox"/>	+\$106
<b>UV</b>	red cherry <input type="checkbox"/>	+\$106
<b>UX</b>	walnut on cherry <input type="checkbox"/>	+\$106

Veneer Front/Top Finish: Wood Veneer

For veneer front (V.) with 1⅛"-high wood veneer top and wood composite edge with oversail front (TV1)

<b>ED</b>	aged cherry <input type="checkbox"/>	+\$106
<b>EG</b>	medium brown walnut <input type="checkbox"/>	+\$106
<b>EK</b>	medium red walnut <input type="checkbox"/>	+\$106
<b>EY</b>	light anigre <input type="checkbox"/>	+\$106
<b>UL</b>	natural maple <input type="checkbox"/>	+\$106
<b>UQ</b>	light cherry <input type="checkbox"/>	+\$106
<b>UV</b>	red cherry <input type="checkbox"/>	+\$106
<b>UX</b>	walnut on cherry <input type="checkbox"/>	+\$106

Veneer Front/Top Finish: Recut Veneer

For veneer front (V.) with 1¼"-high cathedral recut veneer top (J3)

<b>DU</b>	cathedral recut natural maple <input type="checkbox"/>	+\$0
<b>HU</b>	cathedral recut light anigre <input type="checkbox"/>	+\$0
<b>JU</b>	cathedral recut aged cherry <input type="checkbox"/>	+\$0
<b>VU</b>	cathedral recut light brown walnut <input type="checkbox"/>	+\$0
<b>WU</b>	cathedral recut walnut on cherry <input type="checkbox"/>	+\$0
<b>XU</b>	cathedral recut medium red cherry <input type="checkbox"/>	+\$0
<b>ZU</b>	cathedral recut chocolate brown sapele <input type="checkbox"/>	+\$0

Veneer Front/Top Finish: Wood Veneer

For veneer front (V.) with 1¼"-high wood veneer top (TF)

<b>V3</b>	cherry <input type="checkbox"/>	+\$85
<b>Z3</b>	warm red cherry <input type="checkbox"/>	+\$85
<b>Z5</b>	maple <input type="checkbox"/>	+\$85
<b>2U</b>	light brown walnut <input type="checkbox"/>	+\$106
<b>3U</b>	medium red cherry <input type="checkbox"/>	+\$106
<b>6U</b>	chocolate brown sapele <input type="checkbox"/>	+\$106
<b>ED</b>	aged cherry <input type="checkbox"/>	+\$106
<b>EG</b>	medium brown walnut <input type="checkbox"/>	+\$106
<b>EK</b>	medium red walnut <input type="checkbox"/>	+\$106
<b>EY</b>	light anigre <input type="checkbox"/>	+\$106
<b>UL</b>	natural maple <input type="checkbox"/>	+\$106
<b>UQ</b>	light cherry <input type="checkbox"/>	+\$106
<b>UV</b>	red cherry <input type="checkbox"/>	+\$106
<b>UX</b>	walnut on cherry <input type="checkbox"/>	+\$106

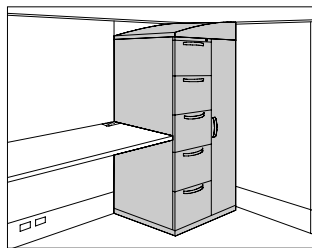
Step 12. Base Height

<b>B1</b>	1"-high base	+\$0
<b>B2</b>	1½"-high base	+\$0
<b>B3</b>	2¼"-high base	+\$0
<b>B4</b>	3¼"-high base	+\$0
<b>B5</b>	4¼"-high base	+\$30

Step 13. Lock

<b>KA</b>	keyed alike	+\$0
<b>KC</b>	keyed differently, chrome	+\$0
<b>KD</b>	keyed differently, black	+\$0

## Vertical Tower with Wardrobe, Arc Pull



MTN1A. MTN5D.  
 MTN1D. MTN6A.  
 MTN2A. MTN6D.  
 MTN2D. MTN7A.  
 MTN3A. MTN7D.  
 MTN3D. MTN8A.  
 MTN4A. MTN8D.  
 MTN4D.  
 MTN5A.

### Product Information

#### Description

This 24"-wide freestanding storage tower is available in 4 heights and has a wardrobe on 1 side and drawers on the other side. It is available in smooth or textured steel with a metal or veneer top, arc pulls, and painted metal or veneer fronts. 5 base heights are available; all bases include adjustable glides. A counterweight is included in the 24<sup>5</sup>/<sub>8</sub>" towers.

The towers have a 9"-wide wardrobe/briefcase storage area and a lock. Letter-width file drawers include a file compressor; box drawers include an adjustable metal divider. 1 lock controls all drawers. The 24"-high tower has a wardrobe area for storage of personal items or a briefcase; the 36"-high tower has a coat hook for shorter-length coats or sweaters; the 48"- and 59"-high towers have a side-to-side coat rod for coats and jackets. All wardrobes include a lock.

#### Notes

Front-facing filing module is the reference point when specifying location of wardrobe and orientation of full- or half-dome top.

2 box drawers may be specified in place of 1 file drawer in predetermined locations.

Dimensional illustrations do not include all possible configurations.

For veneer-front tower, fascia strip is also veneer.

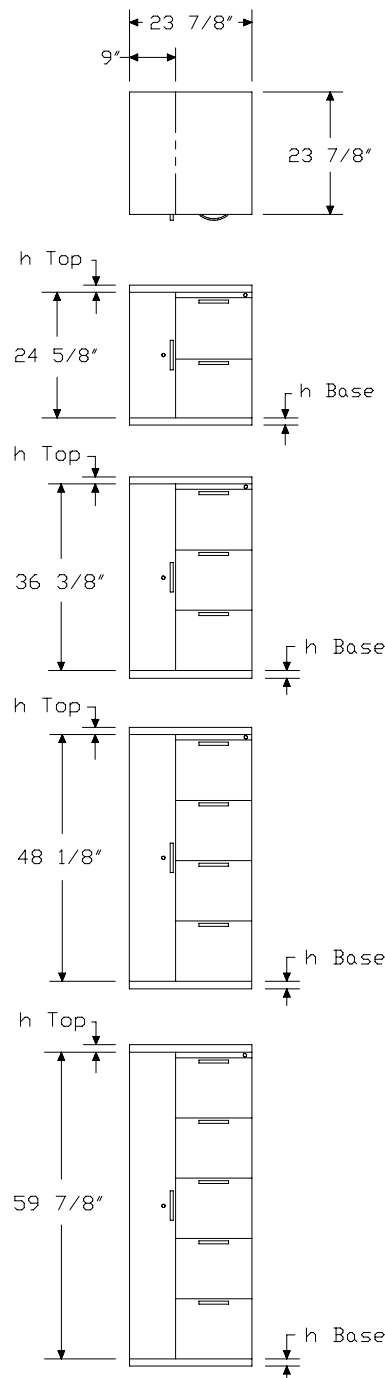
Grain direction is vertical for veneer-front towers.

Order optional accessories separately:

- Drawer divider (73-1567-D)
- File drawer organizer (73-9874-FDO)
- Pencil tray (73-1516-PT)
- Stationery tray (73-7082-SST)

All locks in unit are factory installed and are keyed alike within unit. For specific numbering choices, specify KA and order lock plugs separately. See Keyed-Alike Information in Appendices.

### Dimensions



# Vertical Tower with Wardrobe, Arc Pull *continued*

Specification Information			
Step 1.			
<b>MTN</b>			
Step 2. Height/Wardrobe Location			
1	24 <sup>5</sup> / <sub>8</sub> " high, wardrobe left		
2	24 <sup>5</sup> / <sub>8</sub> " high, wardrobe right		
3	36 <sup>3</sup> / <sub>8</sub> " high, wardrobe left		
4	36 <sup>3</sup> / <sub>8</sub> " high, wardrobe right		
5	48 <sup>1</sup> / <sub>8</sub> " high, wardrobe left		
6	48 <sup>1</sup> / <sub>8</sub> " high, wardrobe right		
7	59 <sup>7</sup> / <sub>8</sub> " high, wardrobe left		
8	59 <sup>7</sup> / <sub>8</sub> " high, wardrobe right		
Step 3. Front Material			
<b>D.24</b>	painted metal front		
<b>A.24</b>	veneer front <input type="checkbox"/> A		
Step 4. Drawer Configuration/Lock Option			
<i>For 24<sup>5</sup>/<sub>8</sub>" high, wardrobe left (1) or 24<sup>5</sup>/<sub>8</sub>" high, wardrobe right (2)</i>			
<b>R</b>	file/file, 1 lock		
<b>S</b>	box/box/file, 1 lock		
<i>For 36<sup>3</sup>/<sub>8</sub>" high, wardrobe left (3) or 36<sup>3</sup>/<sub>8</sub>" high, wardrobe right (4)</i>			
<b>T</b>	file/file/file, 1 lock		
<b>V</b>	box/box/file/file, 1 lock		
<i>For 48<sup>1</sup>/<sub>8</sub>" high, wardrobe left (5) or 48<sup>1</sup>/<sub>8</sub>" high, wardrobe right (6)</i>			
<b>W</b>	file/file/file/file, 1 lock		
<b>X</b>	file/box/box/file/file, 1 lock		
<i>For 59<sup>7</sup>/<sub>8</sub>" high, wardrobe left (7) or 59<sup>7</sup>/<sub>8</sub>" high, wardrobe right (8)</i>			
<b>Y</b>	file/file/file/file/file, 1 lock		
<b>Z</b>	file/file/box/box/file/file, 1 lock		
Step 5. Paint/Steel Type			
<b>S</b>	smooth paint on smooth steel		
<b>T</b>	smooth paint on textured steel		
<b>X</b>	textured paint on smooth steel		
Prices for Steps 1-5.			
	<b>S</b>	<b>T</b>	<b>X</b>
<b>MTN1D.24 R</b>	\$1200	1200	1200
<b>S</b>	\$1248	1248	1248

<b>MTN1A.24 R</b>	\$2561	2561	2561
<b>S</b>	\$2658	2658	2658
<b>MTN2D.24 R</b>	\$1200	1200	1200
<b>S</b>	\$1248	1248	1248
<b>MTN2A.24 R</b>	\$2561	2561	2561
<b>S</b>	\$2658	2658	2658
<b>MTN3D.24 T</b>	\$1526	1526	1526
<b>V</b>	\$1574	1574	1574
<b>MTN3A.24 T</b>	\$3189	3189	3189
<b>V</b>	\$3286	3286	3286
<b>MTN4D.24 T</b>	\$1526	1526	1526
<b>V</b>	\$1574	1574	1574
<b>MTN4A.24 T</b>	\$3189	3189	3189
<b>V</b>	\$3286	3286	3286
<b>MTN5D.24 W</b>	\$2179	2179	2179
<b>X</b>	\$2227	2227	2227
<b>MTN5A.24 W</b>	\$3994	3994	3994
<b>X</b>	\$4090	4090	4090
<b>MTN6D.24 W</b>	\$2179	2179	2179
<b>X</b>	\$2227	2227	2227
<b>MTN6A.24 W</b>	\$3994	3994	3994
<b>X</b>	\$4090	4090	4090
<b>MTN7D.24 Y</b>	\$2506	2506	2506
<b>Z</b>	\$2554	2554	2554
<b>MTN7A.24 Y</b>	\$4441	4441	4441
<b>Z</b>	\$4538	4538	4538
<b>MTN8D.24 Y</b>	\$2506	2506	2506
<b>Z</b>	\$2554	2554	2554
<b>MTN8A.24 Y</b>	\$4441	4441	4441
<b>Z</b>	\$4538	4538	4538

# Vertical Tower with Wardrobe, Arc Pull *continued*

## Step 6. Surface Finish

*For smooth paint on smooth steel (S) or smooth paint on textured steel (T)*

Nonmetallic Paint	+\$0
Metallic Paint	+\$100

### Sand Texture Paint

*For textured paint on smooth steel (X)*

<b>7L</b> dune	+\$0
<b>7M</b> chai	+\$0
<b>7N</b> grass	+\$0
<b>7U</b> blue ridge	+\$0
<b>7V</b> loden	+\$0
<b>7W</b> napa	+\$0
<b>7Y</b> sedona	+\$0
<b>7Z</b> mink	+\$0
<b>8T</b> gull	+\$0
<b>8Y</b> moonbeam	+\$0
<b>B4</b> blue medium	+\$0
<b>ZK</b> cappuccino	+\$0

### Bright Sand Texture Paint

*For textured paint on smooth steel (X)*

<b>91</b> white	+\$0
<b>CL</b> cool grey neutral	+\$0
<b>G1</b> graphite	+\$0
<b>WN</b> warm grey neutral	+\$0

## Step 7. Pull Finish

<b>BW</b> warm bronze	+\$40
<b>NH</b> brushed nickel	+\$40
<b>NK</b> black nickel	+\$40

## Step 8. Top

<b>T1</b> 1"-high squared-edge top	+\$0
<b>T2</b> 1¼"-high squared-edge top	+\$0
<b>J3</b> 1¼"-high cathedral recut veneer top <span style="border: 1px solid black; padding: 0 2px;">A</span>	+\$204
<b>TF</b> 1¼"-high wood veneer top <span style="border: 1px solid black; padding: 0 2px;">A</span>	+\$210
<b>D1</b> 6½"-high full dome, side-to-side	+\$210
<b>D2</b> 6½"-high full dome, front-to-back	+\$210
<b>H1</b> 6½"-high half dome, sloping left	+\$210
<b>H2</b> 6½"-high half dome, sloping right	+\$210
<b>H3</b> 6½"-high half dome, sloping front	+\$210
<b>H4</b> 6½"-high half dome, sloping back	+\$210
<b>TV1</b> 1⅝"-high wood veneer top and wood composite edge with oversail front <span style="border: 1px solid black; padding: 0 2px;">A</span>	+\$315

## Step 9.

### Veneer Top Finish: Wood Veneer

*For painted metal front (D.24) with 1⅝"-high wood veneer top and wood composite edge with oversail front (TV1)*

<b>ED</b> aged cherry <span style="border: 1px solid black; padding: 0 2px;">A</span>	+\$24
<b>EG</b> medium brown walnut <span style="border: 1px solid black; padding: 0 2px;">A</span>	+\$24
<b>EK</b> medium red walnut <span style="border: 1px solid black; padding: 0 2px;">A</span>	+\$24
<b>EY</b> light anigre <span style="border: 1px solid black; padding: 0 2px;">A</span>	+\$24
<b>UL</b> natural maple <span style="border: 1px solid black; padding: 0 2px;">A</span>	+\$24
<b>UQ</b> light cherry <span style="border: 1px solid black; padding: 0 2px;">A</span>	+\$24
<b>UV</b> red cherry <span style="border: 1px solid black; padding: 0 2px;">A</span>	+\$24
<b>UX</b> walnut on cherry <span style="border: 1px solid black; padding: 0 2px;">A</span>	+\$24

### Veneer Top Finish: Recut Veneer

*For painted metal front (D.24) with 1¼"-high cathedral recut veneer top (J3)*

<b>DU</b> cathedral recut natural maple <span style="border: 1px solid black; padding: 0 2px;">A</span>	+\$0
<b>HU</b> cathedral recut light anigre <span style="border: 1px solid black; padding: 0 2px;">A</span>	+\$0
<b>JU</b> cathedral recut aged cherry <span style="border: 1px solid black; padding: 0 2px;">A</span>	+\$0
<b>VU</b> cathedral recut light brown walnut <span style="border: 1px solid black; padding: 0 2px;">A</span>	+\$0
<b>WU</b> cathedral recut walnut on cherry <span style="border: 1px solid black; padding: 0 2px;">A</span>	+\$0
<b>XU</b> cathedral recut medium red cherry <span style="border: 1px solid black; padding: 0 2px;">A</span>	+\$0
<b>ZU</b> cathedral recut chocolate brown sapele <span style="border: 1px solid black; padding: 0 2px;">A</span>	+\$0

# Vertical Tower with Wardrobe, Arc Pull *continued*

**Veneer Top Finish: Wood Veneer**

*For painted metal front (D.24) with 1¼"-high wood veneer top (TF)*

<b>V3</b>	cherry <span style="border: 1px solid black; padding: 0 2px;">A</span>	+\$18
<b>Z3</b>	warm red cherry <span style="border: 1px solid black; padding: 0 2px;">A</span>	+\$18
<b>Z5</b>	maple <span style="border: 1px solid black; padding: 0 2px;">A</span>	+\$18
<b>2U</b>	light brown walnut <span style="border: 1px solid black; padding: 0 2px;">A</span>	+\$24
<b>3U</b>	medium red cherry <span style="border: 1px solid black; padding: 0 2px;">A</span>	+\$24
<b>6U</b>	chocolate brown sapele <span style="border: 1px solid black; padding: 0 2px;">A</span>	+\$24
<b>ED</b>	aged cherry <span style="border: 1px solid black; padding: 0 2px;">A</span>	+\$24
<b>EG</b>	medium brown walnut <span style="border: 1px solid black; padding: 0 2px;">A</span>	+\$24
<b>EK</b>	medium red walnut <span style="border: 1px solid black; padding: 0 2px;">A</span>	+\$24
<b>EY</b>	light anigre <span style="border: 1px solid black; padding: 0 2px;">A</span>	+\$24
<b>UL</b>	natural maple <span style="border: 1px solid black; padding: 0 2px;">A</span>	+\$24
<b>UQ</b>	light cherry <span style="border: 1px solid black; padding: 0 2px;">A</span>	+\$24
<b>UV</b>	red cherry <span style="border: 1px solid black; padding: 0 2px;">A</span>	+\$24
<b>UX</b>	walnut on cherry <span style="border: 1px solid black; padding: 0 2px;">A</span>	+\$24

**Veneer Front Finish: Recut Veneer**

*For veneer front (A.24) with 1"-high squared-edge top (T1), 1¼"-high squared-edge top (T2), 6½"-high full dome, side-to-side (D1), 6½"-high full dome, front-to-back (D2), 6½"-high half dome, sloping left (H1), 6½"-high half dome, sloping right (H2), 6½"-high half dome, sloping front (H3), or 6½"-high half dome, sloping back (H4)*

<b>DU</b>	cathedral recut natural maple <span style="border: 1px solid black; padding: 0 2px;">A</span>	+\$0
<b>HU</b>	cathedral recut light anigre <span style="border: 1px solid black; padding: 0 2px;">A</span>	+\$0
<b>JU</b>	cathedral recut aged cherry <span style="border: 1px solid black; padding: 0 2px;">A</span>	+\$0
<b>VU</b>	cathedral recut light brown walnut <span style="border: 1px solid black; padding: 0 2px;">A</span>	+\$0
<b>WU</b>	cathedral recut walnut on cherry <span style="border: 1px solid black; padding: 0 2px;">A</span>	+\$0
<b>XU</b>	cathedral recut medium red cherry <span style="border: 1px solid black; padding: 0 2px;">A</span>	+\$0
<b>ZU</b>	cathedral recut chocolate brown sapele <span style="border: 1px solid black; padding: 0 2px;">A</span>	+\$0

**Veneer Front Finish: Wood Veneer**

*For veneer front (A.24) with 1"-high squared-edge top (T1), 1¼"-high squared-edge top (T2), 6½"-high full dome, side-to-side (D1), 6½"-high full dome, front-to-back (D2), 6½"-high half dome, sloping left (H1), 6½"-high half dome, sloping right (H2), 6½"-high half dome, sloping front (H3), or 6½"-high half dome, sloping back (H4)*

<b>V3</b>	cherry <span style="border: 1px solid black; padding: 0 2px;">A</span>	+\$53
<b>Z3</b>	warm red cherry <span style="border: 1px solid black; padding: 0 2px;">A</span>	+\$53
<b>Z5</b>	maple <span style="border: 1px solid black; padding: 0 2px;">A</span>	+\$53
<b>2U</b>	light brown walnut <span style="border: 1px solid black; padding: 0 2px;">A</span>	+\$66
<b>3U</b>	medium red cherry <span style="border: 1px solid black; padding: 0 2px;">A</span>	+\$66
<b>6U</b>	chocolate brown sapele <span style="border: 1px solid black; padding: 0 2px;">A</span>	+\$66
<b>ED</b>	aged cherry <span style="border: 1px solid black; padding: 0 2px;">A</span>	+\$66
<b>EG</b>	medium brown walnut <span style="border: 1px solid black; padding: 0 2px;">A</span>	+\$66
<b>EK</b>	medium red walnut <span style="border: 1px solid black; padding: 0 2px;">A</span>	+\$66
<b>EY</b>	light anigre <span style="border: 1px solid black; padding: 0 2px;">A</span>	+\$66
<b>UL</b>	natural maple <span style="border: 1px solid black; padding: 0 2px;">A</span>	+\$66
<b>UQ</b>	light cherry <span style="border: 1px solid black; padding: 0 2px;">A</span>	+\$66
<b>UV</b>	red cherry <span style="border: 1px solid black; padding: 0 2px;">A</span>	+\$66
<b>UX</b>	walnut on cherry <span style="border: 1px solid black; padding: 0 2px;">A</span>	+\$66

**Veneer Front/Top Finish: Wood Veneer**

*For veneer front (A.24) with 1⅛"-high wood veneer top and wood composite edge with oversail front (TV1)*

<b>ED</b>	aged cherry <span style="border: 1px solid black; padding: 0 2px;">A</span>	+\$66
<b>EG</b>	medium brown walnut <span style="border: 1px solid black; padding: 0 2px;">A</span>	+\$66
<b>EK</b>	medium red walnut <span style="border: 1px solid black; padding: 0 2px;">A</span>	+\$66
<b>EY</b>	light anigre <span style="border: 1px solid black; padding: 0 2px;">A</span>	+\$66
<b>UL</b>	natural maple <span style="border: 1px solid black; padding: 0 2px;">A</span>	+\$66
<b>UQ</b>	light cherry <span style="border: 1px solid black; padding: 0 2px;">A</span>	+\$66
<b>UV</b>	red cherry <span style="border: 1px solid black; padding: 0 2px;">A</span>	+\$66
<b>UX</b>	walnut on cherry <span style="border: 1px solid black; padding: 0 2px;">A</span>	+\$66

**Veneer Front/Top Finish: Recut Veneer**

*For veneer front (A.24) with 1¼"-high cathedral recut veneer top (J3)*

<b>DU</b>	cathedral recut natural maple <span style="border: 1px solid black; padding: 0 2px;">A</span>	+\$0
<b>HU</b>	cathedral recut light anigre <span style="border: 1px solid black; padding: 0 2px;">A</span>	+\$0
<b>JU</b>	cathedral recut aged cherry <span style="border: 1px solid black; padding: 0 2px;">A</span>	+\$0
<b>VU</b>	cathedral recut light brown walnut <span style="border: 1px solid black; padding: 0 2px;">A</span>	+\$0
<b>WU</b>	cathedral recut walnut on cherry <span style="border: 1px solid black; padding: 0 2px;">A</span>	+\$0
<b>XU</b>	cathedral recut medium red cherry <span style="border: 1px solid black; padding: 0 2px;">A</span>	+\$0
<b>ZU</b>	cathedral recut chocolate brown sapele <span style="border: 1px solid black; padding: 0 2px;">A</span>	+\$0

# Vertical Tower with Wardrobe, Arc Pull *continued*

---

## Veneer Front/Top Finish: Wood Veneer

*For veneer front (A.24) with 1<sup>1</sup>/<sub>4</sub>"-high wood veneer top (TF)*

<b>V3</b>	cherry <input type="checkbox"/> A	+\$53
<b>Z3</b>	warm red cherry <input type="checkbox"/> A	+\$53
<b>Z5</b>	maple <input type="checkbox"/> A	+\$53
<b>2U</b>	light brown walnut <input type="checkbox"/> A	+\$66
<b>3U</b>	medium red cherry <input type="checkbox"/> A	+\$66
<b>6U</b>	chocolate brown sapele <input type="checkbox"/> A	+\$66
<b>ED</b>	aged cherry <input type="checkbox"/> A	+\$66
<b>EG</b>	medium brown walnut <input type="checkbox"/> A	+\$66
<b>EK</b>	medium red walnut <input type="checkbox"/> A	+\$66
<b>EY</b>	light anigre <input type="checkbox"/> A	+\$66
<b>UL</b>	natural maple <input type="checkbox"/> A	+\$66
<b>UQ</b>	light cherry <input type="checkbox"/> A	+\$66
<b>UV</b>	red cherry <input type="checkbox"/> A	+\$66
<b>UX</b>	walnut on cherry <input type="checkbox"/> A	+\$66

---

## Step 10. Base Height

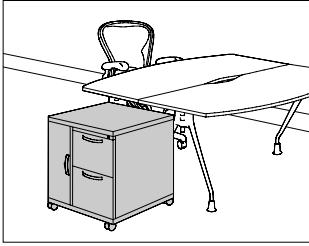
<b>B1</b>	1"-high base	+\$0
<b>B2</b>	1 <sup>1</sup> / <sub>2</sub> "-high base	+\$0
<b>B3</b>	2 <sup>1</sup> / <sub>4</sub> "-high base	+\$0
<b>B4</b>	3 <sup>1</sup> / <sub>4</sub> "-high base	+\$0
<b>B5</b>	4 <sup>1</sup> / <sub>4</sub> "-high base	+\$30

---

## Step 11. Lock

<b>KA</b>	keyed alike	+\$0
<b>KC</b>	keyed differently, chrome	+\$0
<b>KD</b>	keyed differently, black	+\$0

## Mobile Vertical Tower with Wardrobe, Arc Pull



MTC1A. MTC5D.  
MTC1D. MTC6A.  
MTC2A. MTC6D.  
MTC2D.  
MTC3A.  
MTC3D.  
MTC4A.  
MTC4D.  
MTC5A.

### Product Information

#### Description

This 24"-wide mobile storage tower is available in 3 heights and has a wardrobe on 1 side and drawers on the other side. It is available in smooth or textured steel with a metal or veneer top, arc pulls, and painted metal or veneer fronts. The 5 $\frac{1}{2}$ "-high caster base includes a 1 $\frac{1}{2}$ "-high metal frame with 4 4"-diameter casters; 2 casters include a brake. A counterweight is included in all towers.

The towers have a 9"-wide wardrobe/briefcase storage area and a lock. Letter-width file drawers include a file compressor; box drawers include an adjustable metal divider. 1 lock controls all drawers. The 24"-high tower has a wardrobe area for storage of personal items or a briefcase; the 36"-high tower has a coat hook for shorter-length coats or sweaters; the 48"-high tower has a side-to-side coat rod for coats and jackets. All wardrobes include a lock.

#### Notes

Front-facing filing module is the reference point when specifying location of wardrobe and orientation of full- or half-dome top.

Casters must be field installed.

2 box drawers may be specified in place of 1 file drawer in predetermined locations.

Dimensional illustrations do not include all possible configurations.

For veneer-front tower, fascia strip is also veneer.

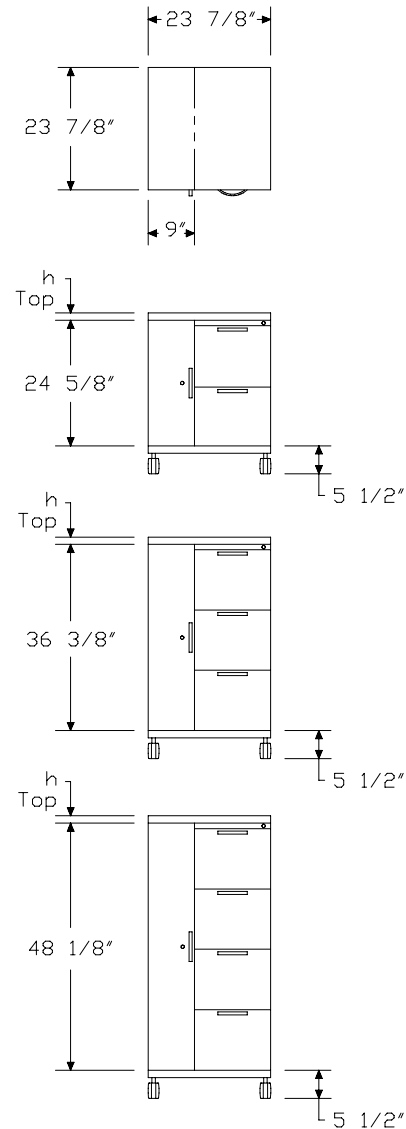
Grain direction is vertical for veneer-front towers.

Order optional accessories separately:

- Drawer divider (73-1567-D)
- File drawer organizer (73-9874-FDO)
- Pencil tray (73-1516-PT)
- Stationery tray (73-7082-SST)

All locks in unit are factory installed and are keyed alike within unit. For specific numbering choices, specify KA and order lock plugs separately. See Keyed-Alike Information in Appendices.

### Dimensions



# Mobile Vertical Tower with Wardrobe, Arc Pull *continued*

## Specification Information

### Step 1.

**MTC**

### Step 2. Height/Wardrobe Location

<b>1</b>	24 <sup>5</sup> / <sub>8</sub> " high, wardrobe left
<b>2</b>	24 <sup>5</sup> / <sub>8</sub> " high, wardrobe right
<b>3</b>	36 <sup>3</sup> / <sub>8</sub> " high, wardrobe left
<b>4</b>	36 <sup>3</sup> / <sub>8</sub> " high, wardrobe right
<b>5</b>	48 <sup>1</sup> / <sub>8</sub> " high, wardrobe left
<b>6</b>	48 <sup>1</sup> / <sub>8</sub> " high, wardrobe right

### Step 3. Front Material

<b>D.24</b>	painting metal front
<b>A.24</b>	veneer front <input type="checkbox"/> A

### Step 4. Drawer Configuration/Lock Option

*For 24<sup>5</sup>/<sub>8</sub>" high, wardrobe left (1) or 24<sup>5</sup>/<sub>8</sub>" high, wardrobe right (2)*

<b>R</b>	file/file, 1 lock
<b>S</b>	box/box/file, 1 lock

*For 36<sup>3</sup>/<sub>8</sub>" high, wardrobe left (3) or 36<sup>3</sup>/<sub>8</sub>" high, wardrobe right (4)*

<b>T</b>	file/file/file, 1 lock
<b>V</b>	box/box/file/file, 1 lock

*For 48<sup>1</sup>/<sub>8</sub>" high, wardrobe left (5) or 48<sup>1</sup>/<sub>8</sub>" high, wardrobe right (6)*

<b>W</b>	file/file/file/file, 1 lock
<b>X</b>	file/box/box/file/file, 1 lock

### Step 5. Paint/Steel Type

<b>S</b>	smooth paint on smooth steel
<b>T</b>	smooth paint on textured steel
<b>X</b>	textured paint on smooth steel

### Prices for Steps 1-5.

	<b>S</b>	<b>T</b>	<b>X</b>
<b>MTC1D.24 R</b>	\$1381	1381	1381
<b>S</b>	\$1428	1428	1428
<b>MTC1A.24 R</b>	\$2742	2742	2742
<b>S</b>	\$2840	2840	2840
<b>MTC2D.24 R</b>	\$1381	1381	1381
<b>S</b>	\$1428	1428	1428

<b>MTC2A.24 R</b>	\$2742	2742	2742
<b>S</b>	\$2840	2840	2840

<b>MTC3D.24 T</b>	\$1708	1708	1708
<b>V</b>	\$1756	1756	1756

<b>MTC3A.24 T</b>	\$3371	3371	3371
<b>V</b>	\$3468	3468	3468

<b>MTC4D.24 T</b>	\$1708	1708	1708
<b>V</b>	\$1756	1756	1756

<b>MTC4A.24 T</b>	\$3371	3371	3371
<b>V</b>	\$3468	3468	3468

<b>MTC5D.24 W</b>	\$2361	2361	2361
<b>X</b>	\$2409	2409	2409

<b>MTC5A.24 W</b>	\$4176	4176	4176
<b>X</b>	\$4273	4273	4273

<b>MTC6D.24 W</b>	\$2361	2361	2361
<b>X</b>	\$2409	2409	2409

<b>MTC6A.24 W</b>	\$4176	4176	4176
<b>X</b>	\$4273	4273	4273

### Step 6. Surface Finish

*For smooth paint on smooth steel (S) or smooth paint on textured steel (T)*

Nonmetallic Paint			+\$0
Metallic Paint			+\$100

# Mobile Vertical Tower with Wardrobe, Arc Pull *continued*

Sand Texture Paint		
<i>For textured paint on smooth steel (X)</i>		
<b>7L</b>	dune	+\$0
<b>7M</b>	chai	+\$0
<b>7N</b>	grass	+\$0
<b>7U</b>	blue ridge	+\$0
<b>7V</b>	loden	+\$0
<b>7W</b>	napa	+\$0
<b>7Y</b>	sedona	+\$0
<b>7Z</b>	mink	+\$0
<b>8T</b>	gull	+\$0
<b>8Y</b>	moonbeam	+\$0
<b>B4</b>	blue medium	+\$0
<b>ZK</b>	cappuccino	+\$0

Bright Sand Texture Paint		
<i>For textured paint on smooth steel (X)</i>		
<b>91</b>	white	+\$0
<b>CL</b>	cool grey neutral	+\$0
<b>G1</b>	graphite	+\$0
<b>WN</b>	warm grey neutral	+\$0

Step 7. Pull Finish		
<b>BW</b>	warm bronze	+\$40
<b>NH</b>	brushed nickel	+\$40
<b>NK</b>	black nickel	+\$40

Step 8. Top		
<b>T1</b>	1"-high squared-edge top	+\$0
<b>T2</b>	1 <sup>1</sup> / <sub>4</sub> "-high squared-edge top	+\$0
<b>J3</b>	1 <sup>1</sup> / <sub>4</sub> "-high cathedral recut veneer top <span style="border: 1px solid black; padding: 0 2px;">A</span>	+\$204
<b>TF</b>	1 <sup>1</sup> / <sub>4</sub> "-high wood veneer top <span style="border: 1px solid black; padding: 0 2px;">A</span>	+\$210
<b>D1</b>	6 <sup>1</sup> / <sub>2</sub> "-high full dome, side-to-side	+\$210
<b>D2</b>	6 <sup>1</sup> / <sub>2</sub> "-high full dome, front-to-back	+\$210
<b>H1</b>	6 <sup>1</sup> / <sub>2</sub> "-high half dome, sloping left	+\$210
<b>H2</b>	6 <sup>1</sup> / <sub>2</sub> "-high half dome, sloping right	+\$210
<b>H3</b>	6 <sup>1</sup> / <sub>2</sub> "-high half dome, sloping front	+\$210
<b>H4</b>	6 <sup>1</sup> / <sub>2</sub> "-high half dome, sloping back	+\$210
<b>TV1</b>	1 <sup>1</sup> / <sub>8</sub> "-high wood veneer top and wood composite edge with oversail front <span style="border: 1px solid black; padding: 0 2px;">A</span>	+\$315

Step 9.		
Veneer Top Finish: Wood Veneer		
<i>For painted metal front (D.24) with 1<sup>1</sup>/<sub>8</sub>"-high wood veneer top and wood composite edge with oversail front (TV1)</i>		
<b>ED</b>	aged cherry <span style="border: 1px solid black; padding: 0 2px;">A</span>	+\$24
<b>EG</b>	medium brown walnut <span style="border: 1px solid black; padding: 0 2px;">A</span>	+\$24
<b>EK</b>	medium red walnut <span style="border: 1px solid black; padding: 0 2px;">A</span>	+\$24
<b>EY</b>	light anigre <span style="border: 1px solid black; padding: 0 2px;">A</span>	+\$24
<b>UL</b>	natural maple <span style="border: 1px solid black; padding: 0 2px;">A</span>	+\$24
<b>UQ</b>	light cherry <span style="border: 1px solid black; padding: 0 2px;">A</span>	+\$24
<b>UV</b>	red cherry <span style="border: 1px solid black; padding: 0 2px;">A</span>	+\$24
<b>UX</b>	walnut on cherry <span style="border: 1px solid black; padding: 0 2px;">A</span>	+\$24

Veneer Top Finish: Recut Veneer		
<i>For painted metal front (D.24) with 1<sup>1</sup>/<sub>4</sub>"-high cathedral recut veneer top (J3)</i>		
<b>DU</b>	cathedral recut natural maple <span style="border: 1px solid black; padding: 0 2px;">A</span>	+\$0
<b>HU</b>	cathedral recut light anigre <span style="border: 1px solid black; padding: 0 2px;">A</span>	+\$0
<b>JU</b>	cathedral recut aged cherry <span style="border: 1px solid black; padding: 0 2px;">A</span>	+\$0
<b>VU</b>	cathedral recut light brown walnut <span style="border: 1px solid black; padding: 0 2px;">A</span>	+\$0
<b>WU</b>	cathedral recut walnut on cherry <span style="border: 1px solid black; padding: 0 2px;">A</span>	+\$0
<b>XU</b>	cathedral recut medium red cherry <span style="border: 1px solid black; padding: 0 2px;">A</span>	+\$0
<b>ZU</b>	cathedral recut chocolate brown sapele <span style="border: 1px solid black; padding: 0 2px;">A</span>	+\$0

Veneer Top Finish: Wood Veneer		
<i>For painted metal front (D.24) with 1<sup>1</sup>/<sub>4</sub>"-high wood veneer top (TF)</i>		
<b>V3</b>	cherry <span style="border: 1px solid black; padding: 0 2px;">A</span>	+\$18
<b>Z3</b>	warm red cherry <span style="border: 1px solid black; padding: 0 2px;">A</span>	+\$18
<b>Z5</b>	maple <span style="border: 1px solid black; padding: 0 2px;">A</span>	+\$18
<b>2U</b>	light brown walnut <span style="border: 1px solid black; padding: 0 2px;">A</span>	+\$24
<b>3U</b>	medium red cherry <span style="border: 1px solid black; padding: 0 2px;">A</span>	+\$24
<b>6U</b>	chocolate brown sapele <span style="border: 1px solid black; padding: 0 2px;">A</span>	+\$24
<b>ED</b>	aged cherry <span style="border: 1px solid black; padding: 0 2px;">A</span>	+\$24
<b>EG</b>	medium brown walnut <span style="border: 1px solid black; padding: 0 2px;">A</span>	+\$24
<b>EK</b>	medium red walnut <span style="border: 1px solid black; padding: 0 2px;">A</span>	+\$24
<b>EY</b>	light anigre <span style="border: 1px solid black; padding: 0 2px;">A</span>	+\$24
<b>UL</b>	natural maple <span style="border: 1px solid black; padding: 0 2px;">A</span>	+\$24
<b>UQ</b>	light cherry <span style="border: 1px solid black; padding: 0 2px;">A</span>	+\$24
<b>UV</b>	red cherry <span style="border: 1px solid black; padding: 0 2px;">A</span>	+\$24
<b>UX</b>	walnut on cherry <span style="border: 1px solid black; padding: 0 2px;">A</span>	+\$24

# Mobile Vertical Tower with Wardrobe, Arc Pull *continued*

## Veneer Front Finish: Recut Veneer

For veneer front (A.24) with 1"-high squared-edge top (T1), 1/4"-high squared-edge top (T2), 6 1/2"-high full dome, side-to-side (D1), 6 1/2"-high full dome, front-to-back (D2), 6 1/2"-high half dome, sloping left (H1), 6 1/2"-high half dome, sloping right (H2), 6 1/2"-high half dome, sloping front (H3), or 6 1/2"-high half dome, sloping back (H4)

<b>DU</b>	cathedral recut natural maple <span style="border: 1px solid black; padding: 0 2px;">A</span>	+\$0
<b>HU</b>	cathedral recut light anigre <span style="border: 1px solid black; padding: 0 2px;">A</span>	+\$0
<b>JU</b>	cathedral recut aged cherry <span style="border: 1px solid black; padding: 0 2px;">A</span>	+\$0
<b>VU</b>	cathedral recut light brown walnut <span style="border: 1px solid black; padding: 0 2px;">A</span>	+\$0
<b>WU</b>	cathedral recut walnut on cherry <span style="border: 1px solid black; padding: 0 2px;">A</span>	+\$0
<b>XU</b>	cathedral recut medium red cherry <span style="border: 1px solid black; padding: 0 2px;">A</span>	+\$0
<b>ZU</b>	cathedral recut chocolate brown sapele <span style="border: 1px solid black; padding: 0 2px;">A</span>	+\$0

## Veneer Front Finish: Wood Veneer

For veneer front (A.24) with 1"-high squared-edge top (T1), 1/4"-high squared-edge top (T2), 6 1/2"-high full dome, side-to-side (D1), 6 1/2"-high full dome, front-to-back (D2), 6 1/2"-high half dome, sloping left (H1), 6 1/2"-high half dome, sloping right (H2), 6 1/2"-high half dome, sloping front (H3), or 6 1/2"-high half dome, sloping back (H4)

<b>V3</b>	cherry <span style="border: 1px solid black; padding: 0 2px;">A</span>	+\$53
<b>Z3</b>	warm red cherry <span style="border: 1px solid black; padding: 0 2px;">A</span>	+\$53
<b>Z5</b>	maple <span style="border: 1px solid black; padding: 0 2px;">A</span>	+\$53
<b>2U</b>	light brown walnut <span style="border: 1px solid black; padding: 0 2px;">A</span>	+\$66
<b>3U</b>	medium red cherry <span style="border: 1px solid black; padding: 0 2px;">A</span>	+\$66
<b>6U</b>	chocolate brown sapele <span style="border: 1px solid black; padding: 0 2px;">A</span>	+\$66
<b>ED</b>	aged cherry <span style="border: 1px solid black; padding: 0 2px;">A</span>	+\$66
<b>EG</b>	medium brown walnut <span style="border: 1px solid black; padding: 0 2px;">A</span>	+\$66
<b>EK</b>	medium red walnut <span style="border: 1px solid black; padding: 0 2px;">A</span>	+\$66
<b>EY</b>	light anigre <span style="border: 1px solid black; padding: 0 2px;">A</span>	+\$66
<b>UL</b>	natural maple <span style="border: 1px solid black; padding: 0 2px;">A</span>	+\$66
<b>UQ</b>	light cherry <span style="border: 1px solid black; padding: 0 2px;">A</span>	+\$66
<b>UV</b>	red cherry <span style="border: 1px solid black; padding: 0 2px;">A</span>	+\$66
<b>UX</b>	walnut on cherry <span style="border: 1px solid black; padding: 0 2px;">A</span>	+\$66

## Veneer Front/Top Finish: Wood Veneer

For veneer front (A.24) with 1/8"-high wood veneer top and wood composite edge with oversail front (TV1)

<b>ED</b>	aged cherry <span style="border: 1px solid black; padding: 0 2px;">A</span>	+\$66
<b>EG</b>	medium brown walnut <span style="border: 1px solid black; padding: 0 2px;">A</span>	+\$66
<b>EK</b>	medium red walnut <span style="border: 1px solid black; padding: 0 2px;">A</span>	+\$66
<b>EY</b>	light anigre <span style="border: 1px solid black; padding: 0 2px;">A</span>	+\$66
<b>UL</b>	natural maple <span style="border: 1px solid black; padding: 0 2px;">A</span>	+\$66
<b>UQ</b>	light cherry <span style="border: 1px solid black; padding: 0 2px;">A</span>	+\$66
<b>UV</b>	red cherry <span style="border: 1px solid black; padding: 0 2px;">A</span>	+\$66
<b>UX</b>	walnut on cherry <span style="border: 1px solid black; padding: 0 2px;">A</span>	+\$66

## Veneer Front/Top Finish: Recut Veneer

For veneer front (A.24) with 1/4"-high cathedral recut veneer top (J3)

<b>DU</b>	cathedral recut natural maple <span style="border: 1px solid black; padding: 0 2px;">A</span>	+\$0
<b>HU</b>	cathedral recut light anigre <span style="border: 1px solid black; padding: 0 2px;">A</span>	+\$0
<b>JU</b>	cathedral recut aged cherry <span style="border: 1px solid black; padding: 0 2px;">A</span>	+\$0
<b>VU</b>	cathedral recut light brown walnut <span style="border: 1px solid black; padding: 0 2px;">A</span>	+\$0
<b>WU</b>	cathedral recut walnut on cherry <span style="border: 1px solid black; padding: 0 2px;">A</span>	+\$0
<b>XU</b>	cathedral recut medium red cherry <span style="border: 1px solid black; padding: 0 2px;">A</span>	+\$0
<b>ZU</b>	cathedral recut chocolate brown sapele <span style="border: 1px solid black; padding: 0 2px;">A</span>	+\$0

## Veneer Front/Top Finish: Wood Veneer

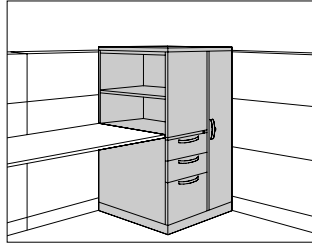
For veneer front (A.24) with 1/4"-high wood veneer top (TF)

<b>V3</b>	cherry <span style="border: 1px solid black; padding: 0 2px;">A</span>	+\$53
<b>Z3</b>	warm red cherry <span style="border: 1px solid black; padding: 0 2px;">A</span>	+\$53
<b>Z5</b>	maple <span style="border: 1px solid black; padding: 0 2px;">A</span>	+\$53
<b>2U</b>	light brown walnut <span style="border: 1px solid black; padding: 0 2px;">A</span>	+\$66
<b>3U</b>	medium red cherry <span style="border: 1px solid black; padding: 0 2px;">A</span>	+\$66
<b>6U</b>	chocolate brown sapele <span style="border: 1px solid black; padding: 0 2px;">A</span>	+\$66
<b>ED</b>	aged cherry <span style="border: 1px solid black; padding: 0 2px;">A</span>	+\$66
<b>EG</b>	medium brown walnut <span style="border: 1px solid black; padding: 0 2px;">A</span>	+\$66
<b>EK</b>	medium red walnut <span style="border: 1px solid black; padding: 0 2px;">A</span>	+\$66
<b>EY</b>	light anigre <span style="border: 1px solid black; padding: 0 2px;">A</span>	+\$66
<b>UL</b>	natural maple <span style="border: 1px solid black; padding: 0 2px;">A</span>	+\$66
<b>UQ</b>	light cherry <span style="border: 1px solid black; padding: 0 2px;">A</span>	+\$66
<b>UV</b>	red cherry <span style="border: 1px solid black; padding: 0 2px;">A</span>	+\$66
<b>UX</b>	walnut on cherry <span style="border: 1px solid black; padding: 0 2px;">A</span>	+\$66

## Step 10. Lock

<b>KA</b>	keyed alike	+\$0
<b>KC</b>	keyed differently, chrome	+\$0
<b>KD</b>	keyed differently, black	+\$0

## Vertical Tower with Wardrobe and Side-Facing Bookcase, Arc Pull



MTB1A. MTB5D.  
 MTB1D. MTB6A.  
 MTB2A. MTB6D.  
 MTB2D.  
 MTB3A.  
 MTB3D.  
 MTB4A.  
 MTB4D.  
 MTB5A.

### Product Information

#### Description

This freestanding storage tower has a wardrobe and modules for display materials, binders, filing materials, and personal items. It is available in 3 heights and has a wardrobe on 1 side and a side-facing bookcase and drawers on the other side. The tower is available in smooth or textured steel. The tower has a metal or veneer top, arc pulls, and painted metal or veneer fronts. 5 base heights are available; all bases include adjustable glides.

The 24"-wide tower has a 9"-wide wardrobe; the 30"-wide tower has a 15"-wide wardrobe. Both wardrobes include a side-to-side coat rod and lock. Letter-width file drawers include a file compressor; box drawers include an adjustable metal divider.

The 23½"-high bookcase includes 1 adjustable shelf to create openings for 1 row of binders and 1 row of display material. The 26¼"- and 27⅝"-high bookcases include 1 adjustable shelf to create openings for 2 rows of binders or display materials. The 35¼"-high bookcase includes 2 adjustable shelves to create openings for 2 rows of binders and 1 row of display materials. The 39⅜"-high bookcase includes 2 adjustable shelves to create openings for 3 rows of binders. Shelves adjust in 1¼" increments.

#### Notes

Front-facing filing module is the reference point when specifying location of wardrobe and orientation of full- or half-dome top.

When specifying tower with 2 file drawers (R) and aligning bookcase with standard 29"-high work surface, specify 3¼"-high base (B4).

2 box drawers may be specified in place of 1 file drawer in predetermined locations.

Dimensional illustrations do not include all possible configurations.

For veneer-front tower, bookcase end panel (which faces front) is metal.

Doors, drawers, and fascia strip are veneer.

Grain direction is vertical for veneer-front towers.

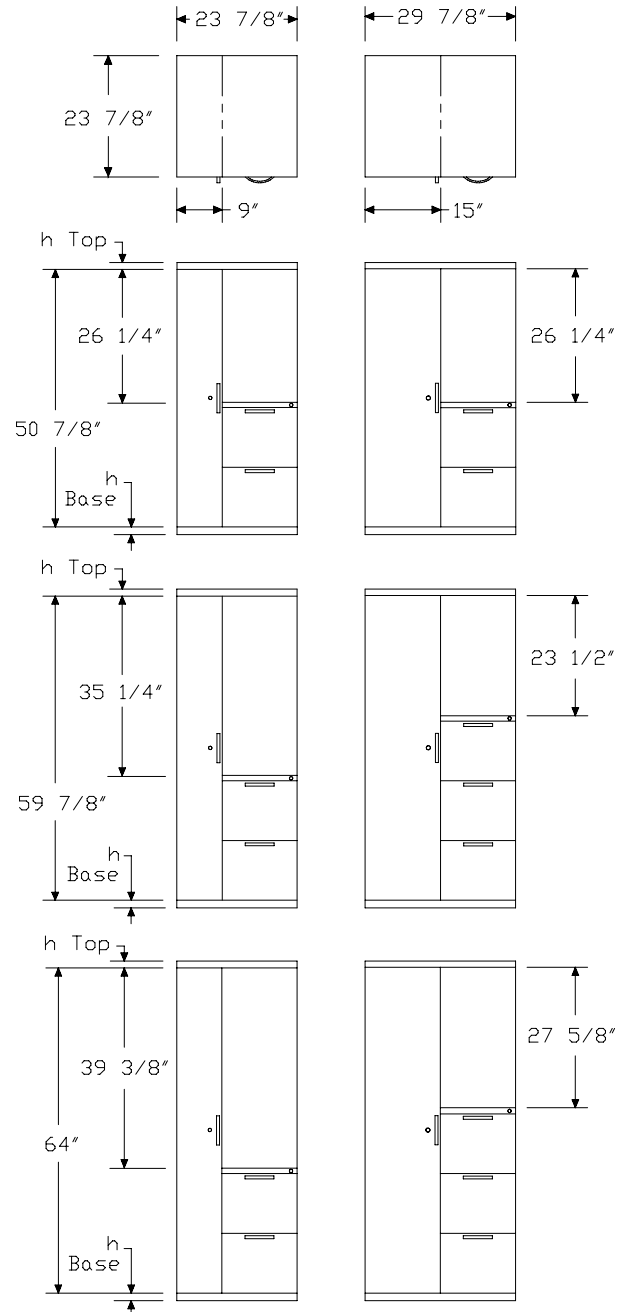
Order optional accessories separately:

- Adjustable shelf for side-facing bookcase (MTAS.A)
- Drawer divider (73-1567-D)
- File drawer organizer (73-9874-FDO)
- Pencil tray (73-1516-PT)
- Stationery tray (73-7082-SST)

All locks in unit are factory installed and are keyed alike within unit. For specific numbering choices, specify KA and order lock plugs separately.

See Keyed-Alike Information in Appendices.

### Dimensions



# Vertical Tower with Wardrobe and Side-Facing Bookcase, Arc Pull

continued

## Specification Information

### Step 1.

**MTB**

### Step 2. Height/Wardrobe Location

<b>1</b>	50 <sup>7</sup> / <sub>8</sub> " high, wardrobe left
<b>2</b>	50 <sup>7</sup> / <sub>8</sub> " high, wardrobe right
<b>3</b>	59 <sup>7</sup> / <sub>8</sub> " high, wardrobe left
<b>4</b>	59 <sup>7</sup> / <sub>8</sub> " high, wardrobe right
<b>5</b>	64" high, wardrobe left
<b>6</b>	64" high, wardrobe right

### Step 3. Front Material

<b>D.</b>	painting metal front
<b>A.</b>	vener front <input type="checkbox"/> <b>A</b>

### Step 4. Width

<b>24</b>	24" wide
<b>30</b>	30" wide

### Step 5. Drawer Configuration

*For 50<sup>7</sup>/<sub>8</sub>" high, wardrobe left (1) or 50<sup>7</sup>/<sub>8</sub>" high, wardrobe right (2)*

<b>RF</b>	file/file
<b>SF</b>	box/box/file

*For 59<sup>7</sup>/<sub>8</sub>" high, wardrobe left (3), 59<sup>7</sup>/<sub>8</sub>" high, wardrobe right (4), 64" high, wardrobe left (5), or 64" high, wardrobe right (6)*

<b>RF</b>	file/file
<b>SF</b>	box/box/file
<b>TF</b>	file/file/file
<b>VF</b>	box/box/file/file

### Step 6. Paint/Steel Type

<b>S</b>	smooth paint on smooth steel
<b>T</b>	smooth paint on textured steel
<b>X</b>	textured paint on smooth steel

### Prices for Steps 1-6.

	<b>S</b>	<b>T</b>	<b>X</b>
<b>MTB1D.24 RF</b>	\$1946	1946	1946
<b>SF</b>	\$1994	1994	1994
<b>30 RF</b>	\$1964	1964	1964
<b>SF</b>	\$2012	2012	2012
<b>MTB1A.24 RF</b>	\$3548	3548	3548
<b>SF</b>	\$3646	3646	3646

<b>30 RF</b>	\$3657	3657	3657
<b>SF</b>	\$3754	3754	3754
<b>MTB2D.24 RF</b>	\$1946	1946	1946
<b>SF</b>	\$1994	1994	1994
<b>30 RF</b>	\$1964	1964	1964
<b>SF</b>	\$2012	2012	2012
<b>MTB2A.24 RF</b>	\$3548	3548	3548
<b>SF</b>	\$3646	3646	3646
<b>30 RF</b>	\$3657	3657	3657
<b>SF</b>	\$3754	3754	3754
<b>MTB3D.24 RF</b>	\$1968	1968	1968
<b>SF</b>	\$2017	2017	2017
<b>TF</b>	\$2144	2144	2144
<b>VF</b>	\$2193	2193	2193
<b>30 RF</b>	\$1985	1985	1985
<b>SF</b>	\$2033	2033	2033
<b>TF</b>	\$2162	2162	2162
<b>VF</b>	\$2209	2209	2209
<b>MTB3A.24 RF</b>	\$3783	3783	3783
<b>SF</b>	\$3880	3880	3880
<b>TF</b>	\$4141	4141	4141
<b>VF</b>	\$4237	4237	4237
<b>30 RF</b>	\$3889	3889	3889
<b>SF</b>	\$3986	3986	3986
<b>TF</b>	\$4248	4248	4248
<b>VF</b>	\$4345	4345	4345
<b>MTB4D.24 RF</b>	\$1968	1968	1968
<b>SF</b>	\$2017	2017	2017
<b>TF</b>	\$2144	2144	2144
<b>VF</b>	\$2193	2193	2193
<b>30 RF</b>	\$1985	1985	1985
<b>SF</b>	\$2033	2033	2033
<b>TF</b>	\$2162	2162	2162
<b>VF</b>	\$2209	2209	2209
<b>MTB4A.24 RF</b>	\$3783	3783	3783
<b>SF</b>	\$3880	3880	3880
<b>TF</b>	\$4141	4141	4141
<b>VF</b>	\$4237	4237	4237

# Vertical Tower with Wardrobe and Side-Facing Bookcase, Arc Pull

continued

Meridian® Vertical Storage Towers

<b>30 RF</b>	\$3889	3889	3889
<b>SF</b>	\$3986	3986	3986
<b>TF</b>	\$4248	4248	4248
<b>VF</b>	\$4345	4345	4345
<hr/>			
<b>MTB5D.24 RF</b>	\$2022	2022	2022
<b>SF</b>	\$2070	2070	2070
<b>TF</b>	\$2199	2199	2199
<b>VF</b>	\$2247	2247	2247
<hr/>			
<b>30 RF</b>	\$2040	2040	2040
<b>SF</b>	\$2088	2088	2088
<b>TF</b>	\$2217	2217	2217
<b>VF</b>	\$2265	2265	2265
<hr/>			
<b>MTB5A.24 RF</b>	\$3958	3958	3958
<b>SF</b>	\$4054	4054	4054
<b>TF</b>	\$4316	4316	4316
<b>VF</b>	\$4413	4413	4413
<hr/>			
<b>30 RF</b>	\$4065	4065	4065
<b>SF</b>	\$4162	4162	4162
<b>TF</b>	\$4423	4423	4423
<b>VF</b>	\$4520	4520	4520
<hr/>			
<b>MTB6D.24 RF</b>	\$2022	2022	2022
<b>SF</b>	\$2070	2070	2070
<b>TF</b>	\$2199	2199	2199
<b>VF</b>	\$2247	2247	2247
<hr/>			
<b>30 RF</b>	\$2040	2040	2040
<b>SF</b>	\$2088	2088	2088
<b>TF</b>	\$2217	2217	2217
<b>VF</b>	\$2265	2265	2265
<hr/>			
<b>MTB6A.24 RF</b>	\$3958	3958	3958
<b>SF</b>	\$4054	4054	4054
<b>TF</b>	\$4316	4316	4316
<b>VF</b>	\$4413	4413	4413
<hr/>			
<b>30 RF</b>	\$4065	4065	4065
<b>SF</b>	\$4162	4162	4162
<b>TF</b>	\$4423	4423	4423
<b>VF</b>	\$4520	4520	4520

## Step 7. Surface Finish

For smooth paint on smooth steel (S) or smooth paint on textured steel (T)

Nonmetallic Paint	+\$0
Metallic Paint	+\$100

## Sand Texture Paint

For textured paint on smooth steel (X)

<b>7L</b>	dune	+\$0
<b>7M</b>	chai	+\$0
<b>7N</b>	grass	+\$0
<b>7U</b>	blue ridge	+\$0
<b>7V</b>	loden	+\$0
<b>7W</b>	napa	+\$0
<b>7Y</b>	sedona	+\$0
<b>7Z</b>	mink	+\$0
<b>8T</b>	gull	+\$0
<b>8Y</b>	moonbeam	+\$0
<b>B4</b>	blue medium	+\$0
<b>ZK</b>	cappuccino	+\$0

## Bright Sand Texture Paint

For textured paint on smooth steel (X)

<b>91</b>	white	+\$0
<b>CL</b>	cool grey neutral	+\$0
<b>G1</b>	graphite	+\$0
<b>WN</b>	warm grey neutral	+\$0

## Step 8. Pull Finish

<b>BW</b>	warm bronze	+\$40
<b>NH</b>	brushed nickel	+\$40
<b>NK</b>	black nickel	+\$40

## Step 9. Top

		<b>24</b>	<b>30</b>
<b>T1</b>	1"-high squared-edge top	+\$0	0
<b>T2</b>	1 1/4"-high squared-edge top	+\$0	0
<b>J3</b>	1 1/4"-high cathedral recut veneer top <span style="border: 1px solid black; padding: 0 2px;">A</span>	+\$204	224
<b>TF</b>	1 1/4"-high wood veneer top <span style="border: 1px solid black; padding: 0 2px;">A</span>	+\$210	231
<b>D1</b>	6 1/2"-high full dome, side-to-side	+\$210	231
<b>D2</b>	6 1/2"-high full dome, front-to-back	+\$210	231
<b>H1</b>	6 1/2"-high half dome, sloping left	+\$210	231
<b>H2</b>	6 1/2"-high half dome, sloping right	+\$210	231
<b>H3</b>	6 1/2"-high half dome, sloping front	+\$210	231
<b>H4</b>	6 1/2"-high half dome, sloping back	+\$210	231
<b>TV1</b>	1 1/8"-high wood veneer top and wood composite edge with oversail front <span style="border: 1px solid black; padding: 0 2px;">A</span>	+\$315	315

# Vertical Tower with Wardrobe and Side-Facing Bookcase, Arc Pull

continued

## Step 10.

### Veneer Top Finish: Wood Veneer

For painted metal front (D.) with 1/8"-high wood veneer top and wood composite edge with oversail front (TV1)

<b>ED</b>	aged cherry [A]	+\$24
<b>EG</b>	medium brown walnut [A]	+\$24
<b>EK</b>	medium red walnut [A]	+\$24
<b>EY</b>	light anigre [A]	+\$24
<b>UL</b>	natural maple [A]	+\$24
<b>UQ</b>	light cherry [A]	+\$24
<b>UV</b>	red cherry [A]	+\$24
<b>UX</b>	walnut on cherry [A]	+\$24

### Veneer Top Finish: Recut Veneer

For painted metal front (D.) with 1/4"-high cathedral recut veneer top (J3)

<b>DU</b>	cathedral recut natural maple [A]	+\$0
<b>HU</b>	cathedral recut light anigre [A]	+\$0
<b>JU</b>	cathedral recut aged cherry [A]	+\$0
<b>VU</b>	cathedral recut light brown walnut [A]	+\$0
<b>WU</b>	cathedral recut walnut on cherry [A]	+\$0
<b>XU</b>	cathedral recut medium red cherry [A]	+\$0
<b>ZU</b>	cathedral recut chocolate brown sapele [A]	+\$0

### Veneer Top Finish: Wood Veneer

For painted metal front (D.) with 1/4"-high wood veneer top (TF)

<b>V3</b>	cherry [A]	+\$18
<b>Z3</b>	warm red cherry [A]	+\$18
<b>Z5</b>	maple [A]	+\$18
<b>2U</b>	light brown walnut [A]	+\$24
<b>3U</b>	medium red cherry [A]	+\$24
<b>6U</b>	chocolate brown sapele [A]	+\$24
<b>ED</b>	aged cherry [A]	+\$24
<b>EG</b>	medium brown walnut [A]	+\$24
<b>EK</b>	medium red walnut [A]	+\$24
<b>EY</b>	light anigre [A]	+\$24
<b>UL</b>	natural maple [A]	+\$24
<b>UQ</b>	light cherry [A]	+\$24
<b>UV</b>	red cherry [A]	+\$24
<b>UX</b>	walnut on cherry [A]	+\$24

### Veneer Front Finish: Recut Veneer

For veneer front (A.) with 1"-high squared-edge top (T1), 1/4"-high squared-edge top (T2), 6 1/2"-high full dome, side-to-side (D1), 6 1/2"-high full dome, front-to-back (D2), 6 1/2"-high half dome, sloping left (H1), 6 1/2"-high half dome, sloping right (H2), 6 1/2"-high half dome, sloping front (H3), or 6 1/2"-high half dome, sloping back (H4)

<b>DU</b>	cathedral recut natural maple [A]	+\$0
<b>HU</b>	cathedral recut light anigre [A]	+\$0
<b>JU</b>	cathedral recut aged cherry [A]	+\$0
<b>VU</b>	cathedral recut light brown walnut [A]	+\$0
<b>WU</b>	cathedral recut walnut on cherry [A]	+\$0
<b>XU</b>	cathedral recut medium red cherry [A]	+\$0
<b>ZU</b>	cathedral recut chocolate brown sapele [A]	+\$0

### Veneer Front Finish: Wood Veneer

For veneer front (A.) with 1"-high squared-edge top (T1), 1/4"-high squared-edge top (T2), 6 1/2"-high full dome, side-to-side (D1), 6 1/2"-high full dome, front-to-back (D2), 6 1/2"-high half dome, sloping left (H1), 6 1/2"-high half dome, sloping right (H2), 6 1/2"-high half dome, sloping front (H3), or 6 1/2"-high half dome, sloping back (H4)

<b>V3</b>	cherry [A]	+\$85
<b>Z3</b>	warm red cherry [A]	+\$85
<b>Z5</b>	maple [A]	+\$85
<b>2U</b>	light brown walnut [A]	+\$106
<b>3U</b>	medium red cherry [A]	+\$106
<b>6U</b>	chocolate brown sapele [A]	+\$106
<b>ED</b>	aged cherry [A]	+\$106
<b>EG</b>	medium brown walnut [A]	+\$106
<b>EK</b>	medium red walnut [A]	+\$106
<b>EY</b>	light anigre [A]	+\$106
<b>UL</b>	natural maple [A]	+\$106
<b>UQ</b>	light cherry [A]	+\$106
<b>UV</b>	red cherry [A]	+\$106
<b>UX</b>	walnut on cherry [A]	+\$106

### Veneer Front/Top Finish: Wood Veneer

For veneer front (A.) with 1/8"-high wood veneer top and wood composite edge with oversail front (TV1)

<b>ED</b>	aged cherry [A]	+\$106
<b>EG</b>	medium brown walnut [A]	+\$106
<b>EK</b>	medium red walnut [A]	+\$106
<b>EY</b>	light anigre [A]	+\$106
<b>UL</b>	natural maple [A]	+\$106
<b>UQ</b>	light cherry [A]	+\$106
<b>UV</b>	red cherry [A]	+\$106
<b>UX</b>	walnut on cherry [A]	+\$106

# Vertical Tower with Wardrobe and Side-Facing Bookcase, Arc Pull

continued

Meridian® Vertical Storage Towers

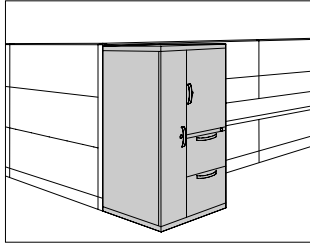
Veneer Front/Top Finish: Recut Veneer		
<i>For veneer front (A.) with 1 1/4"-high cathedral recut veneer top (J3)</i>		
<b>DU</b>	cathedral recut natural maple <input type="checkbox"/> A	+\$0
<b>HU</b>	cathedral recut light anigre <input type="checkbox"/> A	+\$0
<b>JU</b>	cathedral recut aged cherry <input type="checkbox"/> A	+\$0
<b>VU</b>	cathedral recut light brown walnut <input type="checkbox"/> A	+\$0
<b>WU</b>	cathedral recut walnut on cherry <input type="checkbox"/> A	+\$0
<b>XU</b>	cathedral recut medium red cherry <input type="checkbox"/> A	+\$0
<b>ZU</b>	cathedral recut chocolate brown sapele <input type="checkbox"/> A	+\$0

Veneer Front/Top Finish: Wood Veneer		
<i>For veneer front (A.) with 1 1/4"-high wood veneer top (TF)</i>		
<b>V3</b>	cherry <input type="checkbox"/> A	+\$85
<b>Z3</b>	warm red cherry <input type="checkbox"/> A	+\$85
<b>Z5</b>	maple <input type="checkbox"/> A	+\$85
<b>2U</b>	light brown walnut <input type="checkbox"/> A	+\$106
<b>3U</b>	medium red cherry <input type="checkbox"/> A	+\$106
<b>6U</b>	chocolate brown sapele <input type="checkbox"/> A	+\$106
<b>ED</b>	aged cherry <input type="checkbox"/> A	+\$106
<b>EG</b>	medium brown walnut <input type="checkbox"/> A	+\$106
<b>EK</b>	medium red walnut <input type="checkbox"/> A	+\$106
<b>EY</b>	light anigre <input type="checkbox"/> A	+\$106
<b>UL</b>	natural maple <input type="checkbox"/> A	+\$106
<b>UQ</b>	light cherry <input type="checkbox"/> A	+\$106
<b>UV</b>	red cherry <input type="checkbox"/> A	+\$106
<b>UX</b>	walnut on cherry <input type="checkbox"/> A	+\$106

Step 11. Base Height		
<b>B1</b>	1"-high base	+\$0
<b>B2</b>	1 1/2"-high base	+\$0
<b>B3</b>	2 1/4"-high base	+\$0
<b>B4</b>	3 1/4"-high base	+\$0
<b>B5</b>	4 1/4"-high base	+\$30

Step 12. Lock		
<b>KA</b>	keyed alike	+\$0
<b>KC</b>	keyed differently, chrome	+\$0
<b>KD</b>	keyed differently, black	+\$0

## Vertical Tower with Wardrobe and Storage Case, Arc Pull



MTV1A.  
MTV1D.  
MTV2A.  
MTV2D.  
MTV3A.  
MTV3D.  
MTV4A.  
MTV4D.  
MTV5A.

MTV5D.  
MTV6A.  
MTV6D.

### Product Information

#### Description

This freestanding storage tower has a wardrobe and modules for display materials, binders, filing materials, and personal items. It is available in 3 heights and has a wardrobe on 1 side and a storage case and drawers on the other side. Storage cases have 1 locking metal door or 1 nonlocking translucent door. The translucent door has a painted aluminum frame. Drawers, wardrobe, and storage case doors have arc pulls and painted metal or veneer fronts. The tower is available in smooth or textured steel with a metal or veneer top. 5 base heights are available; all bases include adjustable glides.

The 24"-wide tower has a 9"-wide wardrobe; the 30"-wide tower has a 15"-wide wardrobe. Both wardrobes include a side-to-side coat rod and lock. Letter-width file drawers include a file compressor; box drawers include an adjustable metal divider. 1 lock controls all drawers.

The 23 $\frac{1}{2}$ "-high storage case includes 1 adjustable shelf to create openings for 1 row of binders and 1 row of display material. The 26 $\frac{1}{4}$ "- and 27 $\frac{5}{8}$ "-high storage cases include 1 adjustable shelf to create openings for 2 rows of binders or display materials. The 35 $\frac{1}{4}$ "-high storage case includes 2 adjustable shelves to create openings for 2 rows of binders and 1 row of display materials. The 39 $\frac{3}{8}$ "-high storage case includes 2 adjustable shelves to create openings for 3 rows of binders. Shelves adjust in 1 $\frac{1}{4}$ " increments.

#### Notes

Front-facing filing module is the reference point when specifying location of wardrobe and orientation of full- or half-dome top.

2 box drawers may be specified in place of 1 file drawer in predetermined locations.

Dimensional illustrations do not include all possible configurations.

For veneer-front tower, fascia strip is also veneer.

Grain direction is vertical for veneer-front towers.

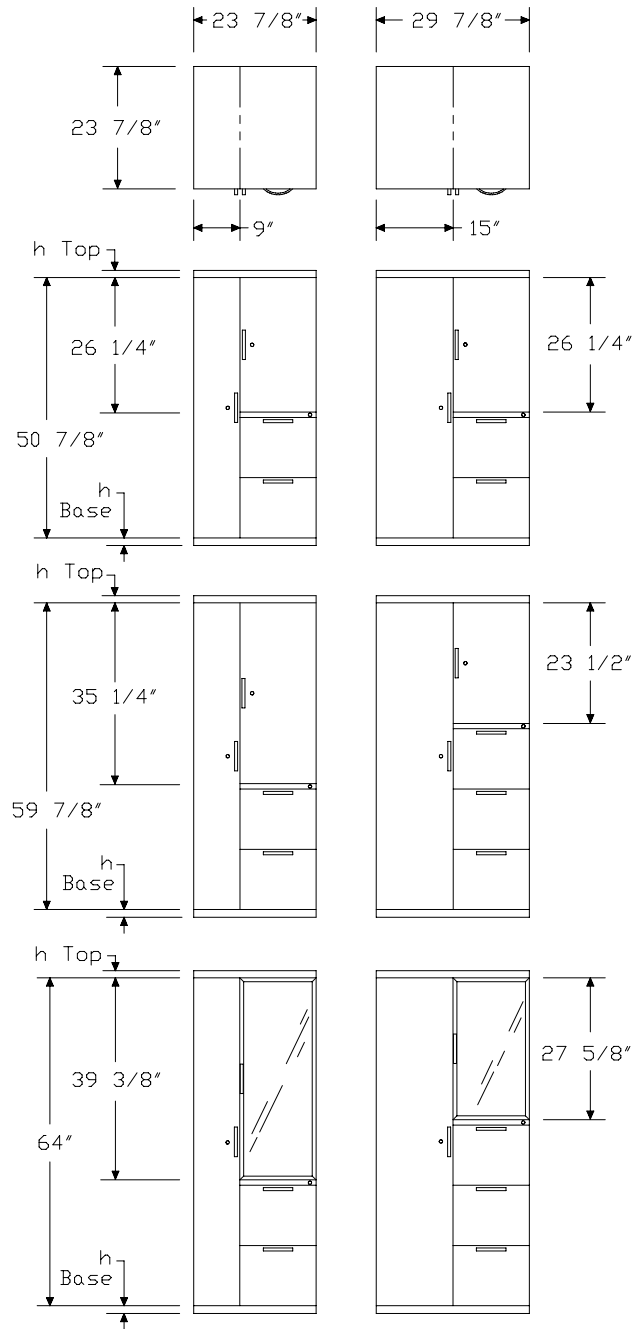
Order optional accessories separately:

- Adjustable shelf for storage case (MTAS.B)
- Drawer divider (73-1567-D)
- File drawer organizer (73-9874-FDO)
- Pencil tray (73-1516-PT)
- Stationery tray (73-7082-SST)

All locks in unit are factory installed and are keyed alike within the unit.

For specific numbering choices, specify KA and order lock plugs separately. See Keyed-Alike Information in Appendices.

### Dimensions



# Vertical Tower with Wardrobe and Storage Case, Arc Pull *continued*

## Specification Information

### Step 1.

**MTV**

### Step 2. Height/Wardrobe Location

<b>1</b>	50 <sup>7</sup> / <sub>8</sub> " high, wardrobe left
<b>2</b>	50 <sup>7</sup> / <sub>8</sub> " high, wardrobe right
<b>3</b>	59 <sup>7</sup> / <sub>8</sub> " high, wardrobe left
<b>4</b>	59 <sup>7</sup> / <sub>8</sub> " high, wardrobe right
<b>5</b>	64" high, wardrobe left
<b>6</b>	64" high, wardrobe right

### Step 3. Front Material

<b>D.</b>	painting metal front
<b>A.</b>	veneer front <input type="checkbox"/> A

### Step 4. Width

<b>24</b>	24" wide
<b>30</b>	30" wide

### Step 5. Drawer Configuration

*For 50<sup>7</sup>/<sub>8</sub>" high, wardrobe left (1) or 50<sup>7</sup>/<sub>8</sub>" high, wardrobe right (2)*

<b>R</b>	file/file
<b>S</b>	box/box/file

*For 59<sup>7</sup>/<sub>8</sub>" high, wardrobe left (3), 59<sup>7</sup>/<sub>8</sub>" high, wardrobe right (4), 64" high, wardrobe left (5), or 64" high, wardrobe right (6)*

<b>R</b>	file/file
<b>S</b>	box/box/file
<b>T</b>	file/file/file
<b>V</b>	box/box/file/file

### Step 6. Storage Case Door

*For painted metal front (D.)*

<b>F</b>	painting metal door
<b>C</b>	clear translucent door <input type="checkbox"/> A
<b>D</b>	frosted translucent door <input type="checkbox"/> A

*For veneer front (A.)*

<b>F</b>	veneer door
<b>C</b>	clear translucent door <input type="checkbox"/> A
<b>D</b>	frosted translucent door <input type="checkbox"/> A

### Step 7. Paint/Steel Type

<b>S</b>	smooth paint on smooth steel
<b>T</b>	smooth paint on textured steel
<b>X</b>	textured paint on smooth steel

### Prices for Steps 1-7.

		FS	FT	FX	CS	CT	CX	DS
<b>MTV1D.24</b>	<b>R</b>	\$2153	2153	2153	2457	2457	2457	2457
	<b>S</b>	\$2202	2202	2202	2505	2505	2505	2505
	<b>30 R</b>	\$2171	2171	2171	2473	2473	2473	2473
	<b>S</b>	\$2220	2220	2220	2520	2520	2520	2520
<b>MTV1A.24</b>	<b>R</b>	\$3757	3757	3757	3948	3948	3948	3948
	<b>S</b>	\$3855	3855	3855	4044	4044	4044	4044
	<b>30 R</b>	\$3864	3864	3864	4055	4055	4055	4055
	<b>S</b>	\$3961	3961	3961	4153	4153	4153	4153
<b>MTV2D.24</b>	<b>R</b>	\$2153	2153	2153	2457	2457	2457	2457
	<b>S</b>	\$2202	2202	2202	2505	2505	2505	2505
	<b>30 R</b>	\$2171	2171	2171	2473	2473	2473	2473
	<b>S</b>	\$2220	2220	2220	2520	2520	2520	2520
<b>MTV2A.24</b>	<b>R</b>	\$3757	3757	3757	3948	3948	3948	3948
	<b>S</b>	\$3855	3855	3855	4044	4044	4044	4044
	<b>30 R</b>	\$3864	3864	3864	4055	4055	4055	4055
	<b>S</b>	\$3961	3961	3961	4153	4153	4153	4153
<b>MTV3D.24</b>	<b>R</b>	\$2176	2176	2176	2478	2478	2478	2478
	<b>S</b>	\$2224	2224	2224	2526	2526	2526	2526
	<b>T</b>	\$2327	2327	2327	2629	2629	2629	2629
	<b>V</b>	\$2377	2377	2377	2677	2677	2677	2677
	<b>30 R</b>	\$2193	2193	2193	2495	2495	2495	2495
	<b>S</b>	\$2242	2242	2242	2542	2542	2542	2542
	<b>T</b>	\$2344	2344	2344	2645	2645	2645	2645
	<b>V</b>	\$2391	2391	2391	2693	2693	2693	2693
<b>MTV3A.24</b>	<b>R</b>	\$3990	3990	3990	4181	4181	4181	4181
	<b>S</b>	\$4087	4087	4087	4277	4277	4277	4277
	<b>T</b>	\$4323	4323	4323	4512	4512	4512	4512
	<b>V</b>	\$4419	4419	4419	4608	4608	4608	4608
	<b>30 R</b>	\$4098	4098	4098	4287	4287	4287	4287
	<b>S</b>	\$4195	4195	4195	4385	4385	4385	4385
	<b>T</b>	\$4432	4432	4432	4619	4619	4619	4619
	<b>V</b>	\$4528	4528	4528	4715	4715	4715	4715

# Vertical Tower with Wardrobe and Storage Case, Arc Pull *continued*

<b>MTV4D.24 R</b>	\$2176	2176	2176	2478	2478	2478	2478
<b>S</b>	\$2224	2224	2224	2526	2526	2526	2526
<b>T</b>	\$2327	2327	2327	2629	2629	2629	2629
<b>V</b>	\$2377	2377	2377	2677	2677	2677	2677
<b>30 R</b>	\$2193	2193	2193	2495	2495	2495	2495
<b>S</b>	\$2242	2242	2242	2542	2542	2542	2542
<b>T</b>	\$2344	2344	2344	2645	2645	2645	2645
<b>V</b>	\$2391	2391	2391	2693	2693	2693	2693

<b>MTV4A.24 R</b>	\$3990	3990	3990	4181	4181	4181	4181
<b>S</b>	\$4087	4087	4087	4277	4277	4277	4277
<b>T</b>	\$4323	4323	4323	4512	4512	4512	4512
<b>V</b>	\$4419	4419	4419	4608	4608	4608	4608
<b>30 R</b>	\$4098	4098	4098	4287	4287	4287	4287
<b>S</b>	\$4195	4195	4195	4385	4385	4385	4385
<b>T</b>	\$4432	4432	4432	4619	4619	4619	4619
<b>V</b>	\$4528	4528	4528	4715	4715	4715	4715

<b>MTV5D.24 R</b>	\$2230	2230	2230	2532	2532	2532	2532
<b>S</b>	\$2279	2279	2279	2581	2581	2581	2581
<b>T</b>	\$2382	2382	2382	2683	2683	2683	2683
<b>V</b>	\$2430	2430	2430	2730	2730	2730	2730
<b>30 R</b>	\$2247	2247	2247	2548	2548	2548	2548
<b>S</b>	\$2295	2295	2295	2597	2597	2597	2597
<b>T</b>	\$2400	2400	2400	2700	2700	2700	2700
<b>V</b>	\$2448	2448	2448	2747	2747	2747	2747

<b>MTV5A.24 R</b>	\$4166	4166	4166	4355	4355	4355	4355
<b>S</b>	\$4262	4262	4262	4453	4453	4453	4453
<b>T</b>	\$4498	4498	4498	4687	4687	4687	4687
<b>V</b>	\$4595	4595	4595	4782	4782	4782	4782
<b>30 R</b>	\$4274	4274	4274	4463	4463	4463	4463
<b>S</b>	\$4371	4371	4371	4559	4559	4559	4559
<b>T</b>	\$4606	4606	4606	4795	4795	4795	4795
<b>V</b>	\$4703	4703	4703	4892	4892	4892	4892

<b>MTV6D.24 R</b>	\$2230	2230	2230	2532	2532	2532	2532
<b>S</b>	\$2279	2279	2279	2581	2581	2581	2581
<b>T</b>	\$2382	2382	2382	2683	2683	2683	2683
<b>V</b>	\$2430	2430	2430	2730	2730	2730	2730
<b>30 R</b>	\$2247	2247	2247	2548	2548	2548	2548
<b>S</b>	\$2295	2295	2295	2597	2597	2597	2597
<b>T</b>	\$2400	2400	2400	2700	2700	2700	2700
<b>V</b>	\$2448	2448	2448	2747	2747	2747	2747

<b>MTV6A.24 R</b>	\$4166	4166	4166	4355	4355	4355	4355
<b>S</b>	\$4262	4262	4262	4453	4453	4453	4453
<b>T</b>	\$4498	4498	4498	4687	4687	4687	4687
<b>V</b>	\$4595	4595	4595	4782	4782	4782	4782
<b>30 R</b>	\$4274	4274	4274	4463	4463	4463	4463
<b>S</b>	\$4371	4371	4371	4559	4559	4559	4559
<b>T</b>	\$4606	4606	4606	4795	4795	4795	4795
<b>V</b>	\$4703	4703	4703	4892	4892	4892	4892

<b>MTV1D.24 R</b>						<b>DT</b>	<b>DX</b>
<b>S</b>						\$2457	2457
<b>30 R</b>						\$2505	2505
<b>S</b>						\$2473	2473
<b>S</b>						\$2520	2520

<b>MTV1A.24 R</b>						\$3948	3948
<b>S</b>						\$4044	4044
<b>30 R</b>						\$4055	4055
<b>S</b>						\$4153	4153

<b>MTV2D.24 R</b>						\$2457	2457
<b>S</b>						\$2505	2505
<b>30 R</b>						\$2473	2473
<b>S</b>						\$2520	2520

<b>MTV2A.24 R</b>						\$3948	3948
<b>S</b>						\$4044	4044
<b>30 R</b>						\$4055	4055
<b>S</b>						\$4153	4153

<b>MTV3D.24 R</b>						\$2478	2478
<b>S</b>						\$2526	2526
<b>T</b>						\$2629	2629
<b>V</b>						\$2677	2677
<b>30 R</b>						\$2495	2495
<b>S</b>						\$2542	2542
<b>T</b>						\$2645	2645
<b>V</b>						\$2693	2693

<b>MTV3A.24 R</b>						\$4181	4181
<b>S</b>						\$4277	4277
<b>T</b>						\$4512	4512
<b>V</b>						\$4608	4608
<b>30 R</b>						\$4287	4287
<b>S</b>						\$4385	4385
<b>T</b>						\$4619	4619
<b>V</b>						\$4715	4715

Meridian® Vertical Storage Towers

# Vertical Tower with Wardrobe and Storage Case, Arc Pull *continued*

Meridian® Vertical Storage Towers

<b>MTV4D.24 R</b>	\$2478	2478
<b>S</b>	\$2526	2526
<b>T</b>	\$2629	2629
<b>V</b>	\$2677	2677
<b>30 R</b>	\$2495	2495
<b>S</b>	\$2542	2542
<b>T</b>	\$2645	2645
<b>V</b>	\$2693	2693
<hr/>		
<b>MTV4A.24 R</b>	\$4181	4181
<b>S</b>	\$4277	4277
<b>T</b>	\$4512	4512
<b>V</b>	\$4608	4608
<b>30 R</b>	\$4287	4287
<b>S</b>	\$4385	4385
<b>T</b>	\$4619	4619
<b>V</b>	\$4715	4715
<hr/>		
<b>MTV5D.24 R</b>	\$2532	2532
<b>S</b>	\$2581	2581
<b>T</b>	\$2683	2683
<b>V</b>	\$2730	2730
<b>30 R</b>	\$2548	2548
<b>S</b>	\$2597	2597
<b>T</b>	\$2700	2700
<b>V</b>	\$2747	2747
<hr/>		
<b>MTV5A.24 R</b>	\$4355	4355
<b>S</b>	\$4453	4453
<b>T</b>	\$4687	4687
<b>V</b>	\$4782	4782
<b>30 R</b>	\$4463	4463
<b>S</b>	\$4559	4559
<b>T</b>	\$4795	4795
<b>V</b>	\$4892	4892
<hr/>		
<b>MTV6D.24 R</b>	\$2532	2532
<b>S</b>	\$2581	2581
<b>T</b>	\$2683	2683
<b>V</b>	\$2730	2730
<b>30 R</b>	\$2548	2548
<b>S</b>	\$2597	2597
<b>T</b>	\$2700	2700
<b>V</b>	\$2747	2747

<b>MTV6A.24 R</b>	\$4355	4355
<b>S</b>	\$4453	4453
<b>T</b>	\$4687	4687
<b>V</b>	\$4782	4782
<b>30 R</b>	\$4463	4463
<b>S</b>	\$4559	4559
<b>T</b>	\$4795	4795
<b>V</b>	\$4892	4892

## Step 8. Surface Finish

*For smooth paint on smooth steel (S) or smooth paint on textured steel (T)*

Nonmetallic Paint	+\$0
Metallic Paint	+\$100

## Sand Texture Paint

*For textured paint on smooth steel (X)*

<b>7L</b> dune	+\$0
<b>7M</b> chai	+\$0
<b>7N</b> grass	+\$0
<b>7U</b> blue ridge	+\$0
<b>7V</b> loden	+\$0
<b>7W</b> napa	+\$0
<b>7Y</b> sedona	+\$0
<b>7Z</b> mink	+\$0
<b>8T</b> gull	+\$0
<b>8Y</b> moonbeam	+\$0
<b>B4</b> blue medium	+\$0
<b>ZK</b> cappuccino	+\$0

## Bright Sand Texture Paint

*For textured paint on smooth steel (X)*

<b>91</b> white	+\$0
<b>CL</b> cool grey neutral	+\$0
<b>G1</b> graphite	+\$0
<b>WN</b> warm grey neutral	+\$0

## Step 9. Pull Finish

<b>BW</b> warm bronze	+\$40
<b>NH</b> brushed nickel	+\$40
<b>NK</b> black nickel	+\$40

# Vertical Tower with Wardrobe and Storage Case, Arc Pull *continued*

Step 10. Top			
		<b>24</b>	<b>30</b>
<b>T1</b>	1"-high squared-edge top	+\$0	0
<b>T2</b>	1¼"-high squared-edge top	+\$0	0
<b>J3</b>	1¼"-high cathedral recut veneer top <span style="border: 1px solid black; padding: 0 2px;">A</span>	+\$204	224
<b>TF</b>	1¼"-high wood veneer top <span style="border: 1px solid black; padding: 0 2px;">A</span>	+\$210	231
<b>D1</b>	6½"-high full dome, side-to-side	+\$210	231
<b>D2</b>	6½"-high full dome, front-to-back	+\$210	231
<b>H1</b>	6½"-high half dome, sloping left	+\$210	231
<b>H2</b>	6½"-high half dome, sloping right	+\$210	231
<b>H3</b>	6½"-high half dome, sloping front	+\$210	231
<b>H4</b>	6½"-high half dome, sloping back	+\$210	231
<b>TV1</b>	1⅛"-high wood veneer top and wood composite edge with oversail front <span style="border: 1px solid black; padding: 0 2px;">A</span>	+\$315	315

## Step 11.

Veneer Top Finish: Wood Veneer			
<i>For painted metal front (D.) with 1⅛"-high wood veneer top and wood composite edge with oversail front (TV1)</i>			
<b>ED</b>	aged cherry <span style="border: 1px solid black; padding: 0 2px;">A</span>	+\$24	
<b>EG</b>	medium brown walnut <span style="border: 1px solid black; padding: 0 2px;">A</span>	+\$24	
<b>EK</b>	medium red walnut <span style="border: 1px solid black; padding: 0 2px;">A</span>	+\$24	
<b>EY</b>	light anigre <span style="border: 1px solid black; padding: 0 2px;">A</span>	+\$24	
<b>UL</b>	natural maple <span style="border: 1px solid black; padding: 0 2px;">A</span>	+\$24	
<b>UQ</b>	light cherry <span style="border: 1px solid black; padding: 0 2px;">A</span>	+\$24	
<b>UV</b>	red cherry <span style="border: 1px solid black; padding: 0 2px;">A</span>	+\$24	
<b>UX</b>	walnut on cherry <span style="border: 1px solid black; padding: 0 2px;">A</span>	+\$24	

Veneer Top Finish: Recut Veneer			
<i>For painted metal front (D.) with 1¼"-high cathedral recut veneer top (J3)</i>			
<b>DU</b>	cathedral recut natural maple <span style="border: 1px solid black; padding: 0 2px;">A</span>	+\$0	
<b>HU</b>	cathedral recut light anigre <span style="border: 1px solid black; padding: 0 2px;">A</span>	+\$0	
<b>JU</b>	cathedral recut aged cherry <span style="border: 1px solid black; padding: 0 2px;">A</span>	+\$0	
<b>VU</b>	cathedral recut light brown walnut <span style="border: 1px solid black; padding: 0 2px;">A</span>	+\$0	
<b>WU</b>	cathedral recut walnut on cherry <span style="border: 1px solid black; padding: 0 2px;">A</span>	+\$0	
<b>XU</b>	cathedral recut medium red cherry <span style="border: 1px solid black; padding: 0 2px;">A</span>	+\$0	
<b>ZU</b>	cathedral recut chocolate brown sapele <span style="border: 1px solid black; padding: 0 2px;">A</span>	+\$0	

Veneer Top Finish: Wood Veneer			
<i>For painted metal front (D.) with 1¼"-high wood veneer top (TF)</i>			
<b>V3</b>	cherry <span style="border: 1px solid black; padding: 0 2px;">A</span>	+\$18	
<b>Z3</b>	warm red cherry <span style="border: 1px solid black; padding: 0 2px;">A</span>	+\$18	
<b>Z5</b>	maple <span style="border: 1px solid black; padding: 0 2px;">A</span>	+\$18	
<b>2U</b>	light brown walnut <span style="border: 1px solid black; padding: 0 2px;">A</span>	+\$24	
<b>3U</b>	medium red cherry <span style="border: 1px solid black; padding: 0 2px;">A</span>	+\$24	
<b>6U</b>	chocolate brown sapele <span style="border: 1px solid black; padding: 0 2px;">A</span>	+\$24	
<b>ED</b>	aged cherry <span style="border: 1px solid black; padding: 0 2px;">A</span>	+\$24	
<b>EG</b>	medium brown walnut <span style="border: 1px solid black; padding: 0 2px;">A</span>	+\$24	
<b>EK</b>	medium red walnut <span style="border: 1px solid black; padding: 0 2px;">A</span>	+\$24	
<b>EY</b>	light anigre <span style="border: 1px solid black; padding: 0 2px;">A</span>	+\$24	
<b>UL</b>	natural maple <span style="border: 1px solid black; padding: 0 2px;">A</span>	+\$24	
<b>UQ</b>	light cherry <span style="border: 1px solid black; padding: 0 2px;">A</span>	+\$24	
<b>UV</b>	red cherry <span style="border: 1px solid black; padding: 0 2px;">A</span>	+\$24	
<b>UX</b>	walnut on cherry <span style="border: 1px solid black; padding: 0 2px;">A</span>	+\$24	

Veneer Front Finish: Recut Veneer			
<i>For veneer front (A.) with 1"-high squared-edge top (T1), 1¼"-high squared-edge top (T2), 6½"-high full dome, side-to-side (D1), 6½"-high full dome, front-to-back (D2), 6½"-high half dome, sloping left (H1), 6½"-high half dome, sloping right (H2), 6½"-high half dome, sloping front (H3), or 6½"-high half dome, sloping back (H4)</i>			
<b>DU</b>	cathedral recut natural maple <span style="border: 1px solid black; padding: 0 2px;">A</span>	+\$0	
<b>HU</b>	cathedral recut light anigre <span style="border: 1px solid black; padding: 0 2px;">A</span>	+\$0	
<b>JU</b>	cathedral recut aged cherry <span style="border: 1px solid black; padding: 0 2px;">A</span>	+\$0	
<b>VU</b>	cathedral recut light brown walnut <span style="border: 1px solid black; padding: 0 2px;">A</span>	+\$0	
<b>WU</b>	cathedral recut walnut on cherry <span style="border: 1px solid black; padding: 0 2px;">A</span>	+\$0	
<b>XU</b>	cathedral recut medium red cherry <span style="border: 1px solid black; padding: 0 2px;">A</span>	+\$0	
<b>ZU</b>	cathedral recut chocolate brown sapele <span style="border: 1px solid black; padding: 0 2px;">A</span>	+\$0	

# Vertical Tower with Wardrobe and Storage Case, Arc Pull *continued*

Veneer Front Finish: Wood Veneer

For veneer front (A.) with 1"-high squared-edge top (T1), 1¼"-high squared-edge top (T2), 6½"-high full dome, side-to-side (D1), 6½"-high full dome, front-to-back (D2), 6½"-high half dome, sloping left (H1), 6½"-high half dome, sloping right (H2), 6½"-high half dome, sloping front (H3), or 6½"-high half dome, sloping back (H4)

<b>V3</b>	cherry [A]	+\$85
<b>Z3</b>	warm red cherry [A]	+\$85
<b>Z5</b>	maple [A]	+\$85
<b>2U</b>	light brown walnut [A]	+\$106
<b>3U</b>	medium red cherry [A]	+\$106
<b>6U</b>	chocolate brown sapele [A]	+\$106
<b>ED</b>	aged cherry [A]	+\$106
<b>EG</b>	medium brown walnut [A]	+\$106
<b>EK</b>	medium red walnut [A]	+\$106
<b>EY</b>	light anigre [A]	+\$106
<b>UL</b>	natural maple [A]	+\$106
<b>UQ</b>	light cherry [A]	+\$106
<b>UV</b>	red cherry [A]	+\$106
<b>UX</b>	walnut on cherry [A]	+\$106

Veneer Front/Top Finish: Wood Veneer

For veneer front (A.) with 1⅛"-high wood veneer top and wood composite edge with oversail front (TV1)

<b>ED</b>	aged cherry [A]	+\$106
<b>EG</b>	medium brown walnut [A]	+\$106
<b>EK</b>	medium red walnut [A]	+\$106
<b>EY</b>	light anigre [A]	+\$106
<b>UL</b>	natural maple [A]	+\$106
<b>UQ</b>	light cherry [A]	+\$106
<b>UV</b>	red cherry [A]	+\$106
<b>UX</b>	walnut on cherry [A]	+\$106

Veneer Front/Top Finish: Recut Veneer

For veneer front (A.) with 1¼"-high cathedral recut veneer top (J3)

<b>DU</b>	cathedral recut natural maple [A]	+\$0
<b>HU</b>	cathedral recut light anigre [A]	+\$0
<b>JU</b>	cathedral recut aged cherry [A]	+\$0
<b>VU</b>	cathedral recut light brown walnut [A]	+\$0
<b>WU</b>	cathedral recut walnut on cherry [A]	+\$0
<b>XU</b>	cathedral recut medium red cherry [A]	+\$0
<b>ZU</b>	cathedral recut chocolate brown sapele [A]	+\$0

Veneer Front/Top Finish: Wood Veneer

For veneer front (A.) with 1¼"-high wood veneer top (TF)

<b>V3</b>	cherry [A]	+\$85
<b>Z3</b>	warm red cherry [A]	+\$85
<b>Z5</b>	maple [A]	+\$85
<b>2U</b>	light brown walnut [A]	+\$106
<b>3U</b>	medium red cherry [A]	+\$106
<b>6U</b>	chocolate brown sapele [A]	+\$106
<b>ED</b>	aged cherry [A]	+\$106
<b>EG</b>	medium brown walnut [A]	+\$106
<b>EK</b>	medium red walnut [A]	+\$106
<b>EY</b>	light anigre [A]	+\$106
<b>UL</b>	natural maple [A]	+\$106
<b>UQ</b>	light cherry [A]	+\$106
<b>UV</b>	red cherry [A]	+\$106
<b>UX</b>	walnut on cherry [A]	+\$106

Step 12. Base Height

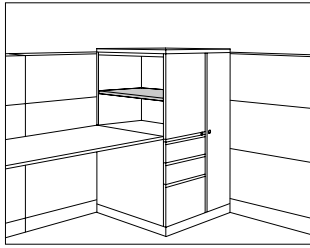
<b>B1</b>	1"-high base	+\$0
<b>B2</b>	1½"-high base	+\$0
<b>B3</b>	2¼"-high base	+\$0
<b>B4</b>	3¼"-high base	+\$0
<b>B5</b>	4¼"-high base	+\$30

Step 13. Lock

<b>KA</b>	keyed alike	+\$0
<b>KC</b>	keyed differently, chrome	+\$0
<b>KD</b>	keyed differently, black	+\$0

# Adjustable Shelf

MTAS.

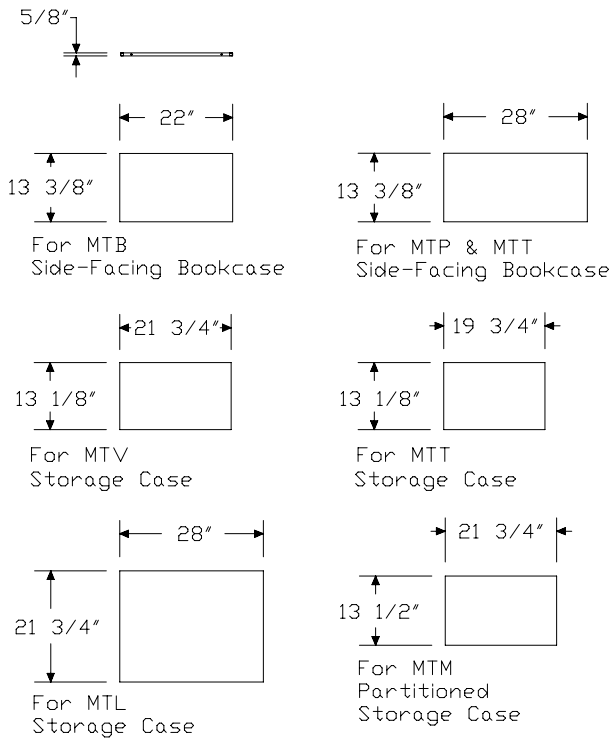


### Product Information

#### Description

This shelf fits into a vertical or lateral tower to store books, binders, and other items. It adjusts in 1/4" increments.

#### Dimensions



### Specification Information

#### Step 1.

**MTAS.**

#### Step 2. Usage

- A** for MTB side-facing bookcase
- B** for MTV storage case
- C** for MTL storage case
- D** for MTP or MTT side-facing bookcase
- E** for MTT storage case
- F** for MTM partitioned storage case

#### Prices for Steps 1-2.

<b>MTAS. A</b>	\$63
<b>B</b>	\$63
<b>C</b>	\$63
<b>D</b>	\$63
<b>E</b>	\$63
<b>F</b>	\$63

#### Step 3. Paint/Steel Type

<b>SS</b> smooth paint on smooth steel	+ \$0
<b>XS</b> textured paint on smooth steel	+ \$0

#### Step 4. Surface Finish

##### For smooth paint on smooth steel (SS)

Nonmetallic Paint	+ \$0
Metallic Paint	+ \$5

##### Sand Texture Paint

##### For textured paint on smooth steel (XS)

<b>7L</b> dune	+ \$0
<b>7M</b> chai	+ \$0
<b>7N</b> grass	+ \$0
<b>7U</b> blue ridge	+ \$0
<b>7V</b> loden	+ \$0
<b>7W</b> napa	+ \$0
<b>7Y</b> sedona	+ \$0
<b>7Z</b> mink	+ \$0
<b>8T</b> gull	+ \$0
<b>8Y</b> moonbeam	+ \$0
<b>B4</b> blue medium	+ \$0
<b>ZK</b> cappuccino	+ \$0

# Adjustable Shelf *continued*

---

Bright Sand Texture Paint

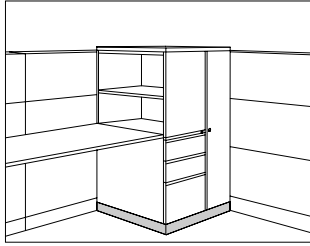
*For textured paint on smooth steel (XS)*

<b>91</b>	white	+\$0
<b>CL</b>	cool grey neutral	+\$0
<b>G1</b>	graphite	+\$0
<b>WN</b>	warm grey neutral	+\$0

**Meridian® Storage Tower Components**

## Tower Base

MTB1.  
MTB2.  
MTB3.  
MTB4.  
MTB5.

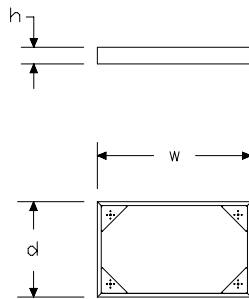


### Product Information

#### Description

This metal base is retrofit to a vertical or lateral tower and provides a different height base. Attachment hardware is included.

#### Dimensions



### Specification Information

#### Step 1.

#### MTB

#### Step 2. Height

1. 1" high
2. 1½" high
3. 2¼" high
4. 3¼" high
5. 4¼" high

#### Step 3. Width/Depth

- |             |                     |
|-------------|---------------------|
| <b>2424</b> | 24" wide x 24" deep |
| <b>3024</b> | 30" wide x 24" deep |
| <b>3030</b> | 30" wide x 30" deep |
| <b>3624</b> | 36" wide x 24" deep |
| <b>4224</b> | 42" wide x 24" deep |

#### Prices for Steps 1-3.

<b>MTB1.</b>	<b>2424</b>	\$82
	<b>3024</b>	\$82
	<b>3030</b>	\$92
	<b>3624</b>	\$92
	<b>4224</b>	\$106
<hr/>		
<b>MTB2.</b>	<b>2424</b>	\$82
	<b>3024</b>	\$82
	<b>3030</b>	\$92
	<b>3624</b>	\$92
	<b>4224</b>	\$106
<hr/>		
<b>MTB3.</b>	<b>2424</b>	\$82
	<b>3024</b>	\$82
	<b>3030</b>	\$92
	<b>3624</b>	\$92
	<b>4224</b>	\$106
<hr/>		
<b>MTB4.</b>	<b>2424</b>	\$82
	<b>3024</b>	\$82
	<b>3030</b>	\$92
	<b>3624</b>	\$92
	<b>4224</b>	\$106

Tower Base *continued*

Meridian® Storage Tower Components

<b>MTB5. 2424</b>	\$116
<b>3024</b>	\$116
<b>3030</b>	\$129
<b>3624</b>	\$129
<b>4224</b>	\$142

Step 4. Paint/Steel Type	
<b>SS</b> smooth paint on smooth steel	+\$0
<b>XS</b> textured paint on smooth steel	+\$0

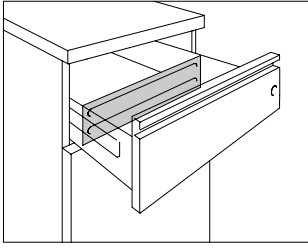
Step 5. Surface Finish	
<i>For smooth paint on smooth steel (SS)</i>	
Nonmetallic Paint	+\$0
Metallic Paint	+\$5

Sand Texture Paint	
<i>For textured paint on smooth steel (XS)</i>	
<b>7L</b> dune	+\$0
<b>7M</b> chai	+\$0
<b>7N</b> grass	+\$0
<b>7U</b> blue ridge	+\$0
<b>7V</b> loden	+\$0
<b>7W</b> napa	+\$0
<b>7Y</b> sedona	+\$0
<b>7Z</b> mink	+\$0
<b>8T</b> gull	+\$0
<b>8Y</b> moonbeam	+\$0
<b>B4</b> blue medium	+\$0
<b>ZK</b> cappuccino	+\$0

Bright Sand Texture Paint	
<i>For textured paint on smooth steel (XS)</i>	
<b>91</b> white	+\$0
<b>CL</b> cool grey neutral	+\$0
<b>G1</b> graphite	+\$0
<b>WN</b> warm grey neutral	+\$0

Drawer Divider for Box Drawer,  
Meridian® Pedestal

73-15  
73-18



**Product Information**

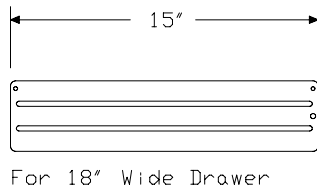
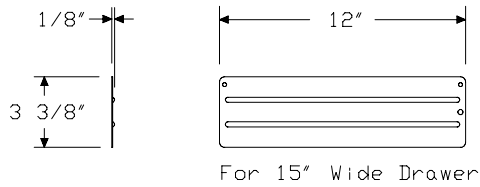
**Description**

This adjustable divider is used in a box drawer. The 12"-wide divider fits in a 15"-wide box drawer; the 15"-wide divider fits in an 18"-wide box drawer. Finish is black umber.

**Notes**

Drawer divider cannot be used in Tu™ pedestals or Quadrant® pedestals. For 5000 Series furniture, drawer divider can be used in standard-, bevel-, or contour-pull pedestals.

**Dimensions**



**Specification Information**

**Step 1.**

**73-**

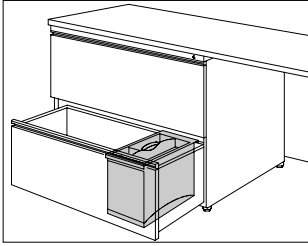
**Step 2. Width**

**1567-D** for 15"-wide drawer (for Meridian® pedestals and 5000 Series furniture)

**1867-D** for 18"-wide drawer (for Meridian pedestals)

**Prices for Steps 1-2.**

<b>73-1567-D</b>	\$12
<b>73-1867-D</b>	\$15

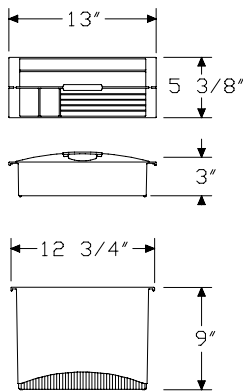


**Product Information**

Description

This 2-sectioned organizer fits into any file drawer arranged for letter-size filing. The removable top section stores computer disks and other small items. The bottom section stores larger items or can be divided into 3 compartments; it includes 2 vertical dividers. Finish is black umber.

Dimensions



**Specification Information**

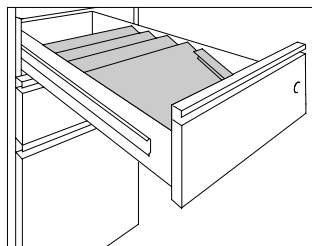
Step 1.

**LG901**

\$62

# Stationery Tray for Box Drawer, Meridian® Pedestal

73-70



### Product Information

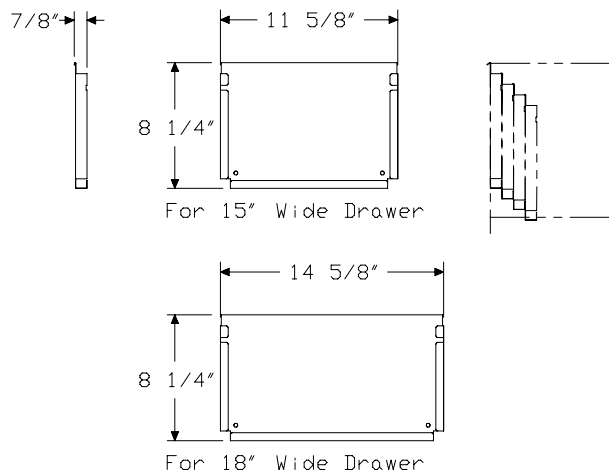
#### Description

This sectioned tray stores envelopes, stationery, and forms in a box drawer. The 12"-wide tray fits in a 15"-wide box drawer; the 15"-wide tray fits in an 18"-wide box drawer. Finish is black umber.

#### Notes

Stationery tray cannot be used in Tu™ pedestals or Quadrant® pedestals. For 5000 Series furniture, stationery tray can be used in standard-, bevel-, or contour-pull pedestals.

#### Dimensions



### Specification Information

#### Step 1.

**73-7082-**

#### Step 2. Width

**SST** for 15"-wide drawer (for Meridian® pedestals and 5000 Series furniture)

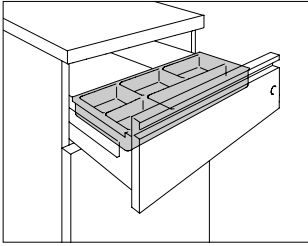
**SST-SP** for 18"-wide drawer (for Meridian pedestals)

#### Prices for Steps 1-2.

<b>73-7082-</b>	<b>SST</b>	\$75
	<b>SST-SP</b>	\$85

Pencil Tray for Box Drawer,  
Meridian® Pedestal

73-15  
73-18



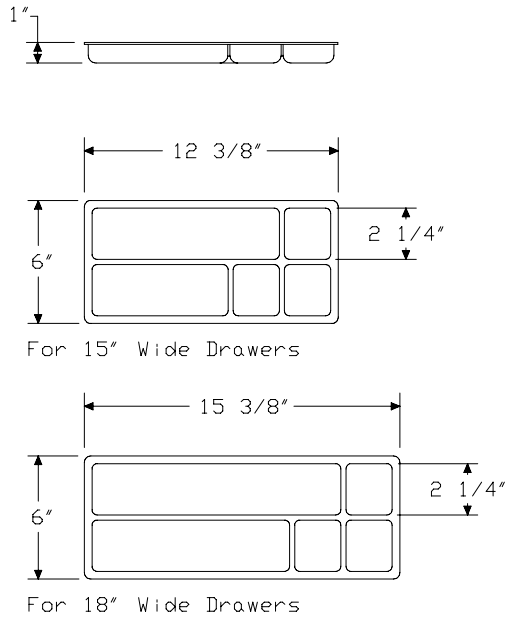
Meridian® Storage Tower Accessories

**Product Information**

**Description**  
This plastic drawer stores pencils and other small items in a box drawer. The 12"-wide pencil tray fits in a 15"-wide box drawer; the 15"-wide pencil tray fits in an 18"-wide box drawer. Finish is black amber.

**Notes**  
Pencil tray cannot be used in Tu™ pedestals or Quadrant® pedestals. For 5000 Series furniture, pencil tray can be used in standard-, bevel-, or contour-pull pedestals.

**Dimensions**



**Specification Information**

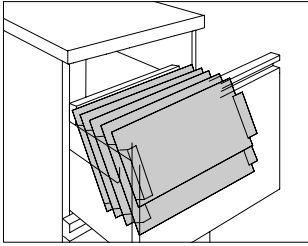
**Step 1.**  
**73-**

**Step 2. Width**  
**1516-PT** for 15"-wide drawer (for Meridian® pedestals and 5000 Series furniture)  
**1816-PT** for 18"-wide drawer (for Meridian pedestals)

Prices for Steps 1-2.

<b>73-1516-PT</b>	\$19
<b>73-1816-PT</b>	\$22

**File Drawer Organizer, Meridian® 73-98**  
**Pedestal**



**Product Information**

**Description**

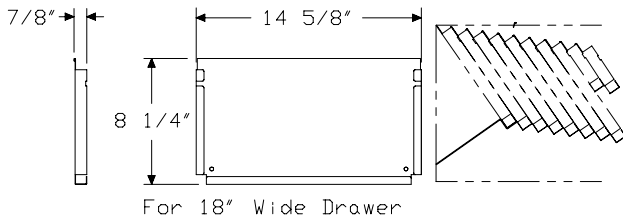
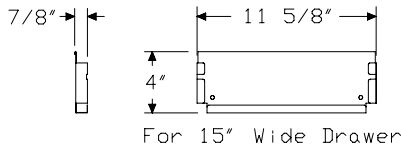
This sectioned organizer stores letter-size stationery and papers in a file drawer. The 12"-wide organizer fits in a 15"-wide file drawer; the 15"-wide organizer fits in an 18"-wide file drawer. Finish is black umber.

**Notes**

File drawer organizer cannot be used in Tu™ pedestals or Quadrant® pedestals.

For 5000 Series furniture, file drawer organizer can be used in standard-, bevel-, or contour-pull pedestals.

**Dimensions**



**Specification Information**

**Step 1.**

**73-9874-**

**Step 2. Width**

**FDO** for 15"-wide drawer (for Meridian® pedestals and 5000 Series furniture)

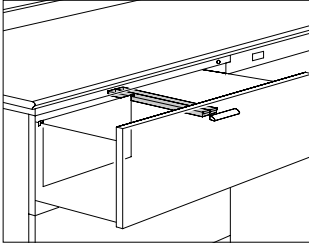
**FDO-SP** for 18"-wide drawer (for Meridian pedestals)

**Prices for Steps 1-2.**

<b>73-9874-</b>	<b>FDO</b>	\$135
	<b>FDO-SP</b>	\$163

Front-to-Back Filing Rail,  
Meridian® Stackable™ Lateral File

9P001  
9P002  
9P361  
9P362



Meridian® Storage Tower Accessories

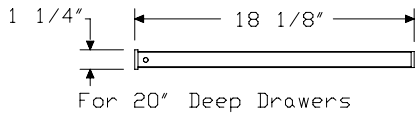
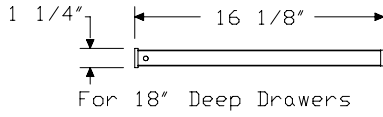
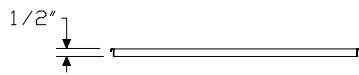
**Product Information**

**Description**  
This filing rail holds letter-size hanging folders for front-to-back filing. The 16" rail is used in an 18"-deep Meridian® lateral file drawer. The 18" rail is used in the file drawer of a Meridian Stackable Storage™ cabinet bottom module, 20"-deep Meridian lateral file, or Meridian lateral storage tower.

**Notes**

Front-to-back filing rail cannot be used in Tu™ or Quadrant® lateral file drawers.

**Dimensions**



**Specification Information**

**Step 1.**

**9P**

**Step 2. Width**

**00** for 30"- or 42"-wide drawers  
**36** for 36"-wide drawers

**Step 3. Depth**

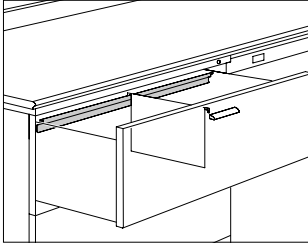
**18** 18" deep  
**20** 20" deep

**Prices for Steps 1-3.**

<b>9P0018</b>	\$24
<b>9P0020</b>	\$24
<b>9P3618</b>	\$24
<b>9P3620</b>	\$24

Side-to-Side Filing Rail, Meridian®  
Stackable™ Lateral File

- 9R124
- 9R130
- 9R136
- 9R142
- 9R224
- 9R230
- 9R236
- 9R242



**Product Information**

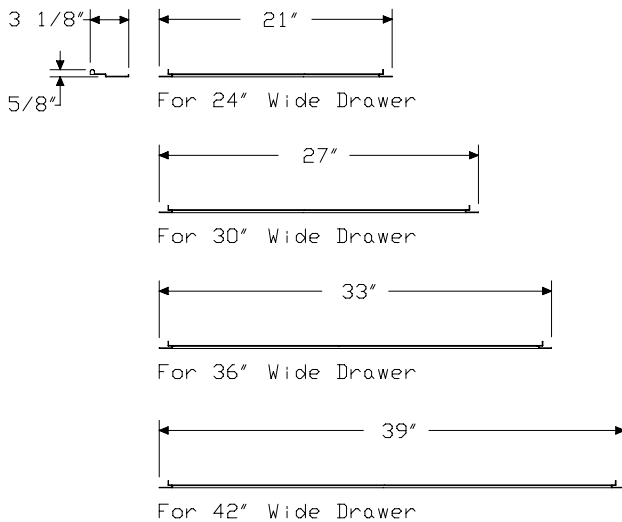
**Description**

This filing rail holds letter- or legal-size hanging folders for side-to-side filing. The 21"-wide rail is used in the file drawer of a 24"-wide Meridian® Stackable Storage™ cabinet bottom module. The 27"-wide rail is used in the file drawer of a 30"-wide Meridian Stackable Storage cabinet bottom module, Meridian lateral file, or Meridian lateral storage tower. The 33"-wide rail is used in the file drawer of a 36"-wide Meridian lateral file. The 39"-wide rail is used in the file drawer of a 42"-wide Meridian lateral file.

**Notes**

Side-to-side filing rail cannot be used in Tu™ or Quadrant® lateral file drawers.

**Dimensions**



**Specification Information**

**Step 1.**

**9R**

**Step 2. Quantity**

- 1** 1 filing rail
- 2** 2 filing rails

**Step 3. Width**

- 2400** for 24"-wide drawers
- 3000** for 30"-wide drawers
- 3600** for 36"-wide drawers
- 4200** for 42"-wide drawers

**Prices for Steps 1-3.**

<b>9R12400</b>	\$17
<b>9R13000</b>	\$17
<b>9R13600</b>	\$17
<b>9R14200</b>	\$17
<b>9R22400</b>	\$34
<b>9R23000</b>	\$34
<b>9R23600</b>	\$34
<b>9R24200</b>	\$34



## Index by Product Name

<b>Meridian® Storage Towers</b>	
	page(s)
Adjustable Shelf	73
Drawer Divider for Box Drawer, Meridian® Pedestal	77
File Drawer Organizer	78
File Drawer Organizer, Meridian® Pedestal	81
Front-to-Back Filing Rail, Meridian® Stackable™ Lateral File	82
Mobile Vertical Tower with Wardrobe, Arc Pull	58
Mobile Vertical Tower with Wardrobe, Bevel Pull	22
Mobile Vertical Tower with Wardrobe, Sloped Pull	38
Mobile Vertical Tower with Wardrobe, Standard Pull	8
Pencil Tray for Box Drawer, Meridian® Pedestal	80
Side-to-Side Filing Rail, Meridian® Stackable™ Lateral File	83
Stationery Tray for Box Drawer, Meridian® Pedestal	79
Tower Base	75
Vertical Tower with Wardrobe and Side-Facing Bookcase, Arc Pull	62
Vertical Tower with Wardrobe and Side-Facing Bookcase, Bevel Pull	25
Vertical Tower with Wardrobe and Side-Facing Bookcase, Sloped Pull	42
Vertical Tower with Wardrobe and Side-Facing Bookcase, Standard Pull	11
Vertical Tower with Wardrobe and Storage Case, Arc Pull	67
Vertical Tower with Wardrobe and Storage Case, Bevel Pull	29
Vertical Tower with Wardrobe and Storage Case, Sloped Pull	47
Vertical Tower with Wardrobe and Storage Case, Standard Pull	15
Vertical Tower with Wardrobe, Arc Pull	53
Vertical Tower with Wardrobe, Bevel Pull	19
Vertical Tower with Wardrobe, Sloped Pull	33
Vertical Tower with Wardrobe, Standard Pull	5



# Index by Product Number

73-15	Drawer Divider for Box Drawer, Meridian® Pedestal	page(s) 77	MTB34. Vertical Tower with Wardrobe and Side-Facing Bookcase, Bevel Pull	25
73-15	Pencil Tray for Box Drawer, Meridian® Pedestal	80	MTB36. Vertical Tower with Wardrobe and Side-Facing Bookcase, Standard Pull	11
73-18	Drawer Divider for Box Drawer, Meridian® Pedestal	77	MTB3A. Vertical Tower with Wardrobe and Side-Facing Bookcase, Arc Pull	62
73-18	Pencil Tray for Box Drawer, Meridian® Pedestal	80	MTB3D.	
73-70	Stationery Tray for Box Drawer, Meridian® Pedestal	79	MTB3P. Vertical Tower with Wardrobe and Side-Facing Bookcase, Sloped Pull	42
73-98	File Drawer Organizer, Meridian® Pedestal	81	MTB3V.	
9P001	Front-to-Back Filing Rail, Meridian® Stackable™ Lateral File	82	MTB4. Tower Base	75
9P002			MTB44. Vertical Tower with Wardrobe and Side-Facing Bookcase, Bevel Pull	25
9P361			MTB46. Vertical Tower with Wardrobe and Side-Facing Bookcase, Standard Pull	11
9P362			MTB4A. Vertical Tower with Wardrobe and Side-Facing Bookcase, Arc Pull	62
9R124	Side-to-Side Filing Rail, Meridian® Stackable™ Lateral File	83	MTB4D.	
9R130			MTB4P. Vertical Tower with Wardrobe and Side-Facing Bookcase, Sloped Pull	42
9R136			MTB4V.	
9R142			MTB5. Tower Base	75
9R224			MTB54. Vertical Tower with Wardrobe and Side-Facing Bookcase, Bevel Pull	25
9R230			MTB56. Vertical Tower with Wardrobe and Side-Facing Bookcase, Standard Pull	11
9R236			MTB5A. Vertical Tower with Wardrobe and Side-Facing Bookcase, Arc Pull	62
9R242			MTB5D.	
LG901	File Drawer Organizer	78	MTB5P. Vertical Tower with Wardrobe and Side-Facing Bookcase, Sloped Pull	42
MTAS.	Adjustable Shelf	73	MTB5V.	
MTB1.	Tower Base	75	MTB64. Vertical Tower with Wardrobe and Side-Facing Bookcase, Bevel Pull	25
MTB14.	Vertical Tower with Wardrobe and Side-Facing Bookcase, Bevel Pull	25	MTB66. Vertical Tower with Wardrobe and Side-Facing Bookcase, Standard Pull	11
MTB16.	Vertical Tower with Wardrobe and Side-Facing Bookcase, Standard Pull	11	MTB6A. Vertical Tower with Wardrobe and Side-Facing Bookcase, Arc Pull	62
MTB1A.	Vertical Tower with Wardrobe and Side-Facing Bookcase, Arc Pull	62	MTB6D.	
MTB1D.			MTB6P. Vertical Tower with Wardrobe and Side-Facing Bookcase, Sloped Pull	42
MTB1P.	Vertical Tower with Wardrobe and Side-Facing Bookcase, Sloped Pull	42	MTB6V.	
MTB1V.			MTC14. Mobile Vertical Tower with Wardrobe, Bevel Pull	22
MTB2.	Tower Base	75	MTC16. Mobile Vertical Tower with Wardrobe, Standard Pull	8
MTB24.	Vertical Tower with Wardrobe and Side-Facing Bookcase, Bevel Pull	25	MTC1A. Mobile Vertical Tower with Wardrobe, Arc Pull	58
MTB26.	Vertical Tower with Wardrobe and Side-Facing Bookcase, Standard Pull	11	MTC1D.	
MTB2A.	Vertical Tower with Wardrobe and Side-Facing Bookcase, Arc Pull	62		
MTB2D.				
MTB2P.	Vertical Tower with Wardrobe and Side-Facing Bookcase, Sloped Pull	42		
MTB2V.				
MTB3.	Tower Base	75		

# Index by Product Number *continued*

Index: Product Number

MTC1P. Mobile Vertical Tower with Wardrobe, Sloped Pull	38	MTN3A. Vertical Tower with Wardrobe, Arc Pull	53
MTC1V.		MTN3D.	
MTC24. Mobile Vertical Tower with Wardrobe, Bevel Pull	22	MTN3P. Vertical Tower with Wardrobe, Sloped Pull	33
MTC26. Mobile Vertical Tower with Wardrobe, Standard Pull	8	MTN3V.	
MTC2A. Mobile Vertical Tower with Wardrobe, Arc Pull	58	MTN44. Vertical Tower with Wardrobe, Bevel Pull	19
MTC2D.		MTN46. Vertical Tower with Wardrobe, Standard Pull	5
MTC2P. Mobile Vertical Tower with Wardrobe, Sloped Pull	38	MTN4A. Vertical Tower with Wardrobe, Arc Pull	53
MTC2V.		MTN4D.	
MTC34. Mobile Vertical Tower with Wardrobe, Bevel Pull	22	MTN4P. Vertical Tower with Wardrobe, Sloped Pull	33
MTC36. Mobile Vertical Tower with Wardrobe, Standard Pull	8	MTN4V.	
MTC3A. Mobile Vertical Tower with Wardrobe, Arc Pull	58	MTN54. Vertical Tower with Wardrobe, Bevel Pull	19
MTC3D.		MTN56. Vertical Tower with Wardrobe, Standard Pull	5
MTC3P. Mobile Vertical Tower with Wardrobe, Sloped Pull	38	MTN5A. Vertical Tower with Wardrobe, Arc Pull	53
MTC3V.		MTN5D.	
MTC44. Mobile Vertical Tower with Wardrobe, Bevel Pull	22	MTN5P. Vertical Tower with Wardrobe, Sloped Pull	33
MTC46. Mobile Vertical Tower with Wardrobe, Standard Pull	8	MTN5V.	
MTC4A. Mobile Vertical Tower with Wardrobe, Arc Pull	58	MTN64. Vertical Tower with Wardrobe, Bevel Pull	19
MTC4D.		MTN66. Vertical Tower with Wardrobe, Standard Pull	5
MTC4P. Mobile Vertical Tower with Wardrobe, Sloped Pull	38	MTN6A. Vertical Tower with Wardrobe, Arc Pull	53
MTC4V.		MTN6D.	
MTC54. Mobile Vertical Tower with Wardrobe, Bevel Pull	22	MTN6P. Vertical Tower with Wardrobe, Sloped Pull	33
MTC56. Mobile Vertical Tower with Wardrobe, Standard Pull	8	MTN6V.	
MTC5A. Mobile Vertical Tower with Wardrobe, Arc Pull	58	MTN74. Vertical Tower with Wardrobe, Bevel Pull	19
MTC5D.		MTN76. Vertical Tower with Wardrobe, Standard Pull	5
MTC5P. Mobile Vertical Tower with Wardrobe, Sloped Pull	38	MTN7A. Vertical Tower with Wardrobe, Arc Pull	53
MTC5V.		MTN7D.	
MTC64. Mobile Vertical Tower with Wardrobe, Bevel Pull	22	MTN7P. Vertical Tower with Wardrobe, Sloped Pull	33
MTC66. Mobile Vertical Tower with Wardrobe, Standard Pull	8	MTN7V.	
MTC6A. Mobile Vertical Tower with Wardrobe, Arc Pull	58	MTN84. Vertical Tower with Wardrobe, Bevel Pull	19
MTC6D.		MTN86. Vertical Tower with Wardrobe, Standard Pull	5
MTC6P. Mobile Vertical Tower with Wardrobe, Sloped Pull	38	MTN8A. Vertical Tower with Wardrobe, Arc Pull	53
MTC6V.		MTN8D.	
MTN14. Vertical Tower with Wardrobe, Bevel Pull	19	MTN8P. Vertical Tower with Wardrobe, Sloped Pull	33
MTN16. Vertical Tower with Wardrobe, Standard Pull	5	MTN8V.	
MTN1A. Vertical Tower with Wardrobe, Arc Pull	53	MTV14. Vertical Tower with Wardrobe and Storage Case, Bevel Pull	29
MTN1D.		MTV16. Vertical Tower with Wardrobe and Storage Case, Standard Pull	15
MTN1P. Vertical Tower with Wardrobe, Sloped Pull	33	MTV1A. Vertical Tower with Wardrobe and Storage Case, Arc Pull	67
MTN1V.		MTV1D.	
MTN24. Vertical Tower with Wardrobe, Bevel Pull	19	MTV1P. Vertical Tower with Wardrobe and Storage Case, Sloped Pull	47
MTN26. Vertical Tower with Wardrobe, Standard Pull	5	MTV1V.	
MTN2A. Vertical Tower with Wardrobe, Arc Pull	53	MTV24. Vertical Tower with Wardrobe and Storage Case, Bevel Pull	29
MTN2D.			
MTN2P. Vertical Tower with Wardrobe, Sloped Pull	33		
MTN2V.			
MTN34. Vertical Tower with Wardrobe, Bevel Pull	19		
MTN36. Vertical Tower with Wardrobe, Standard Pull	5		


## Index by Product Number *continued*

MTV26. Vertical Tower with Wardrobe and Storage Case, Standard	
Pull	15
MTV2A. Vertical Tower with Wardrobe and Storage Case, Arc Pull	67
MTV2D.	
MTV2P. Vertical Tower with Wardrobe and Storage Case, Sloped	
Pull	47
MTV2V.	
MTV34. Vertical Tower with Wardrobe and Storage Case, Bevel	
Pull	29
MTV36. Vertical Tower with Wardrobe and Storage Case, Standard	
Pull	15
MTV3A. Vertical Tower with Wardrobe and Storage Case, Arc Pull	67
MTV3D.	
MTV3P. Vertical Tower with Wardrobe and Storage Case, Sloped	
Pull	47
MTV3V.	
MTV44. Vertical Tower with Wardrobe and Storage Case, Bevel	
Pull	29
MTV46. Vertical Tower with Wardrobe and Storage Case, Standard	
Pull	15
MTV4A. Vertical Tower with Wardrobe and Storage Case, Arc Pull	67
MTV4D.	
MTV4P. Vertical Tower with Wardrobe and Storage Case, Sloped	
Pull	47
MTV4V.	
MTV54. Vertical Tower with Wardrobe and Storage Case, Bevel	
Pull	29
MTV56. Vertical Tower with Wardrobe and Storage Case, Standard	
Pull	15
MTV5A. Vertical Tower with Wardrobe and Storage Case, Arc Pull	67
MTV5D.	
MTV5P. Vertical Tower with Wardrobe and Storage Case, Sloped	
Pull	47
MTV5V.	
MTV64. Vertical Tower with Wardrobe and Storage Case, Bevel	
Pull	29
MTV66. Vertical Tower with Wardrobe and Storage Case, Standard	
Pull	15
MTV6A. Vertical Tower with Wardrobe and Storage Case, Arc Pull	67
MTV6D.	
MTV6P. Vertical Tower with Wardrobe and Storage Case, Sloped	
Pull	47
MTV6V.	

For more information about our products and services or to see a list of dealers, please visit us at [www.HermanMiller.com](http://www.HermanMiller.com) or call (800) 851 1196.

This book is recyclable. Printed in U.S.A. on recycled paper.

© 2009 Herman Miller, Inc., Zeeland, Michigan

© HermanMiller, , Abak, Action Office, Aeron, Ambi, Ardea, Aside, Avive, Babble, C2, Caper, Celle, Co/Struc, DOT, Eames, Embody, Equa 2, Ergon 3, Ethospace, Fine-Tune, FlexFront, Formcoat, Ground Cloth, Herman Miller for Healthcare, Herman Miller Options, Intersect, Kinemat, Leaf, Lifework, Limerick, Meridian, Mirra, Passage, Pedastool, Pellicle, Perspectives, PostureFit, Prospects, Quadrant, Reaction, Resolve, RoomTune, Scooter, Stoa, Teneo, V-Wall, Vary Easy, Vivo, and Z-Axis are among the registered trademarks of Herman Miller, Inc., and its owned subsidiaries.

™ About Face, AireWeave, Airia, Arrio, Backfit, Boomerang, Bubbletack, Burdick Group, Celeste, Cellular Suspension, CLT, CoActive, Cognita, Compass, Cygnus, Enchord, EnhancedAccess, E-Wall, Flex-Edge, Flute, Harmonic, Herman Miller for the Home, Herman Miller International Collection, Herman Miller Select, Hopsak 2, Intent, Iota, Keyless Entry, Latitude, Lyris, Multiscrim, My Studio Environments, Nelson, Pixelated Support, Programmable Environments, Q, Rapunzel, Recline Selector, Sense, Setu, Stackable, Stackable Storage, The Be Collection, Thinking is good for you, TriFlex, Tu, and Twist are among the trademarks of Herman Miller, Inc., and its owned subsidiaries.

SM TAP, Textile Alliance Program and Thoughtpile are among the service marks of Herman Miller, Inc.

Chemsurf is a registered trademark of Wilsonart International.

Corian is a registered trademark of DuPont.

FLEXNET is a trademark of Milliken & Co.

Floor Saver Glide™ is a trademark of Carpin Manufacturing Inc.

Geiger is a registered trademark of Geiger International.

Goetz is a trademark of Mark W. Goetz.

Hang-It-All is a registered trademark of Lucia Eames Demetrios, d.b.a. Eames Office.

Holophane is a registered trademark of Holophane.

Ingeo is a trademark of Cargill Dow LLC.

Microsoft and Natural Keyboard are registered trademarks of Microsoft Corporation.

Noguchi® is a registered trademark of The Isamu Noguchi Foundation and Garden Museum.

Qt Quiet technology and Qt are trademarks of Cambridge Sound Management, Inc.