



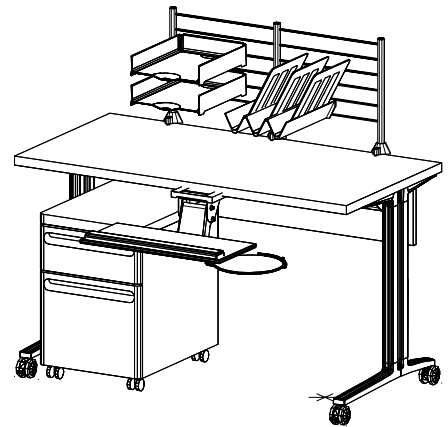
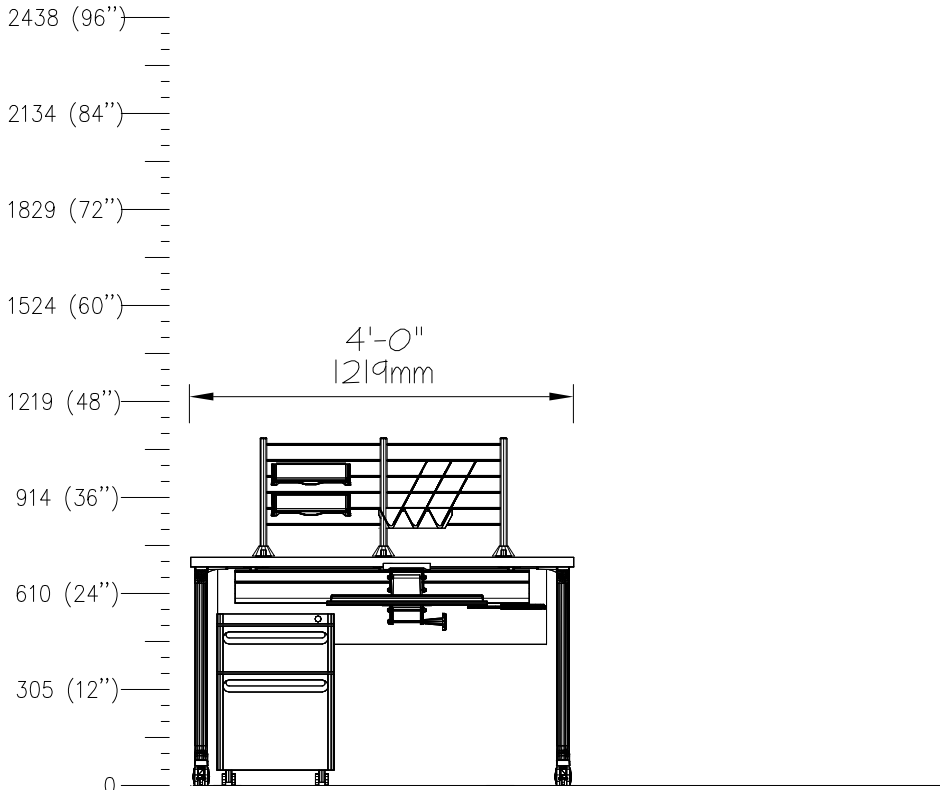
# DEPARTMENT OF DEFENSE (DOD)

Joint Schedule Numbers (JSNs)

FEBRUARY 2017

# E0042

WORKCENTER, COMPUTER, FREESTD, 48

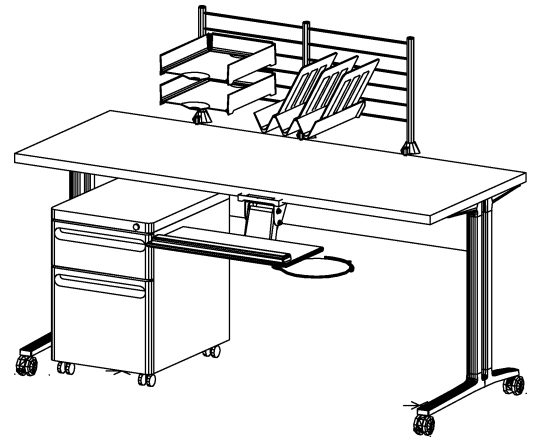
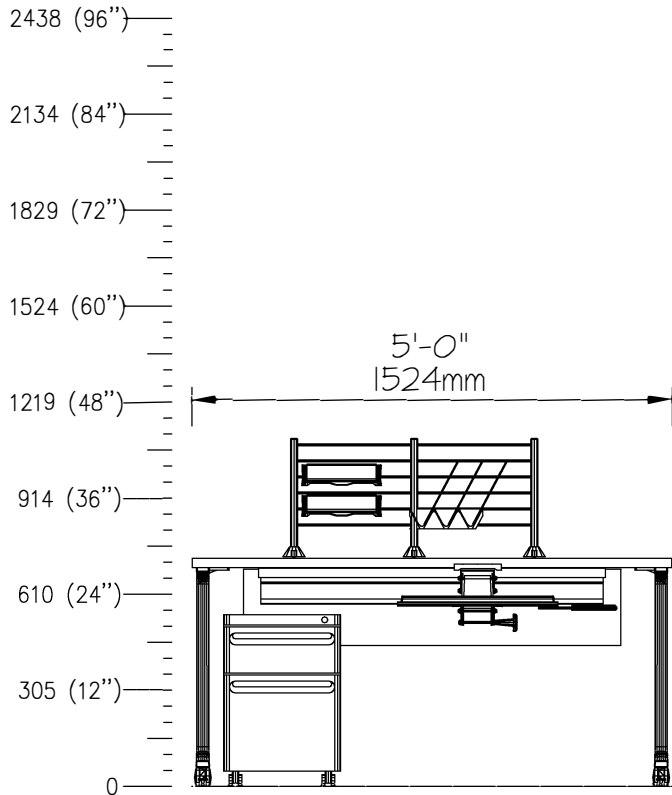


SCALE: 1/2"=1'-0"

QTY	DESCRIPTION
1	Tool Rail
2	Paper Tray
1	Diagonal Tray
1	Freestanding Work Surface
1	Adjustable Keyboard Tray
1	Mobile Pedestal, Box/File

# E0045

WORKCENTER, COMPUTER, FREESTD, 60

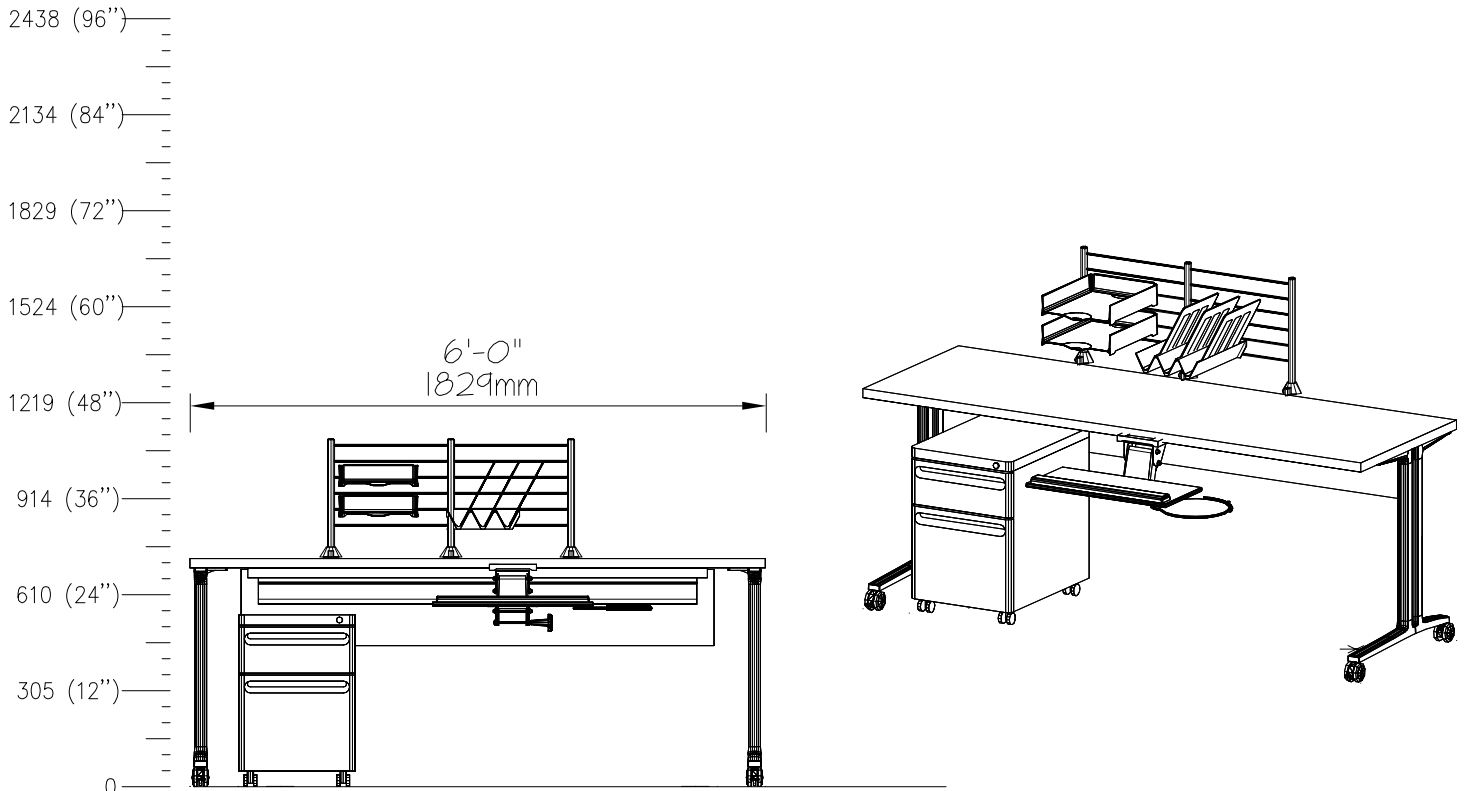


SCALE: 1/2"=1'-0"

<u>QTY</u>	<u>DESCRIPTION</u>
1	Tool Rail
2	Paper Tray
1	Diagonal Tray
1	Freestanding Work Surface
1	Adjustable Keyboard Tray
1	Mobile Pedestal, Box/File

# E0048

WORKCENTER, COMPUTER, FREESTD, 72

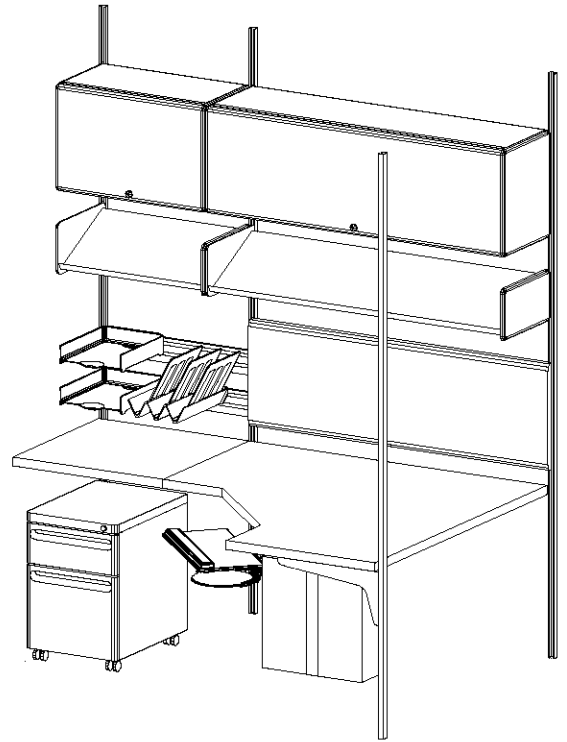
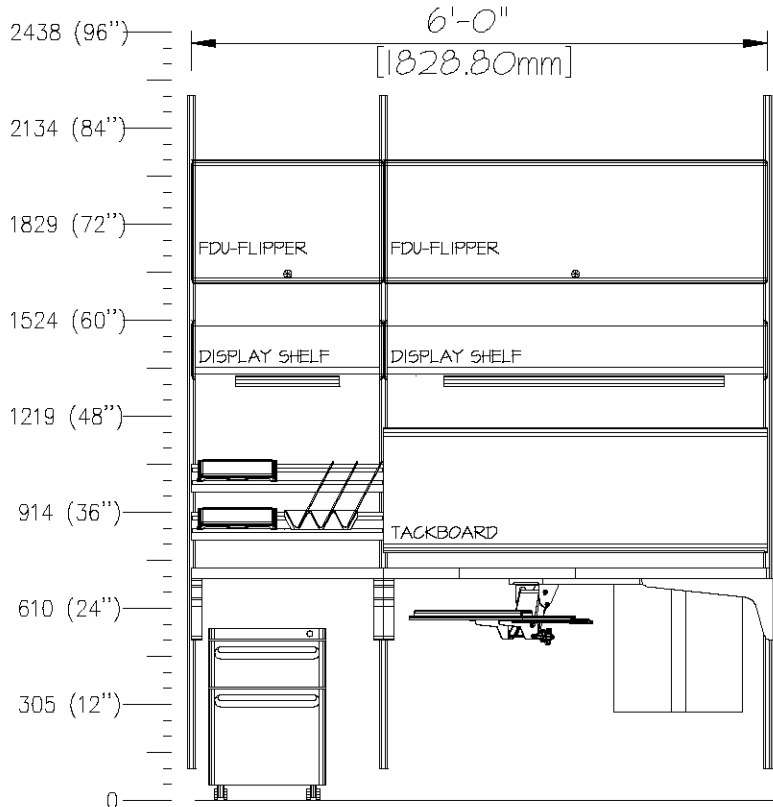


SCALE: 1/2"=1'-0"

<u>QTY</u>	<u>DESCRIPTION</u>
1	Tool Rail
2	Paper Tray
1	Diagonal Tray
1	Freestanding Work Surface
1	Adjustable Keyboard Tray
1	Mobile Pedestal, Box/File

# E0051

WORKSTN,CORNER COUNTER,WALL MTD,48x72

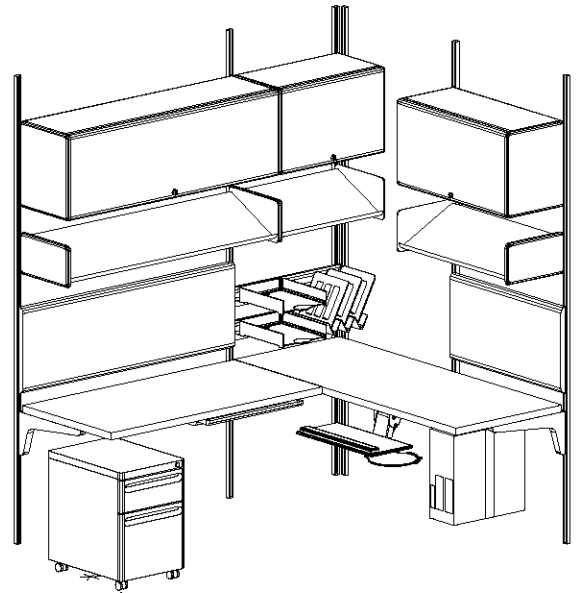
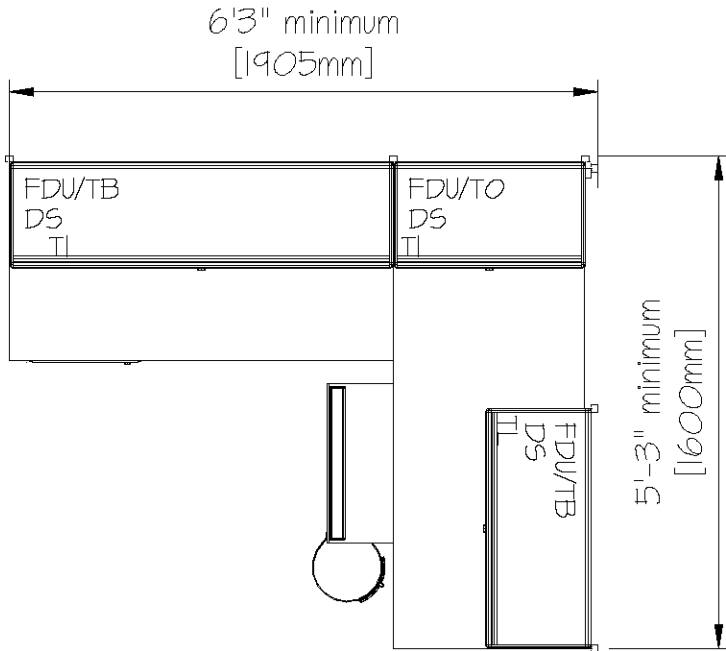


SCALE: 1/2"=1'-0"

QTY	DESCRIPTION
4	Vertical Hanging Strips
2	Lockable Flipper Unit
2	Shelf, Storage/Display
2	Light
1	Tackboard
2	Tool Rail
2	Paper Tray
1	Diagonal Tray
1	Cantilevered Work Surface
1	Cantilevered Corner Work Surface
1	Mobile Pedestal, Box/File
1	Adjustable Keyboard Tray
1	CPU Holder

# E0054

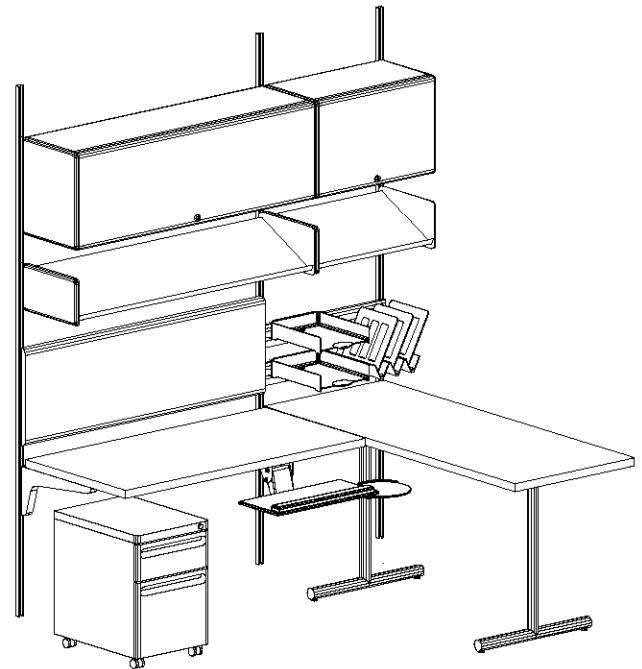
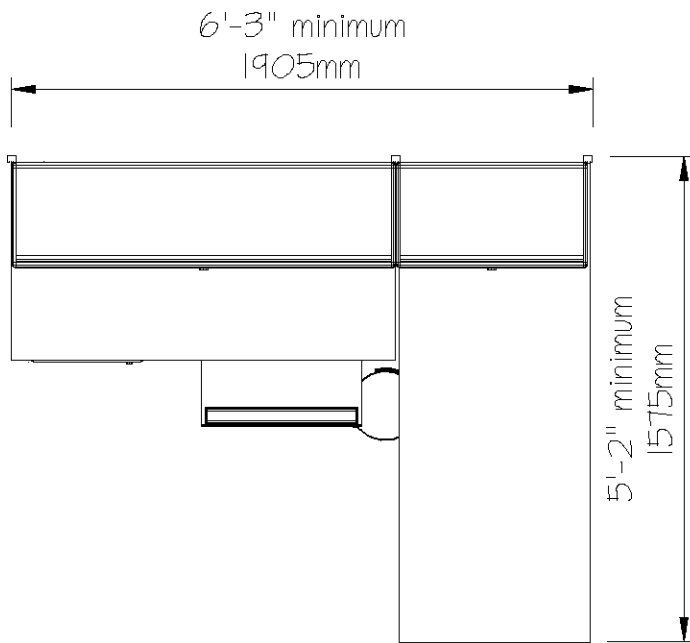
WORKSTN,L-SHAPE,WALL MTD,60x72



QTY	DESCRIPTION
6	Vertical Hanging Strips
3	Lockable Flipper Unit
3	Shelf, Storage/Display
3	Light
2	Tackboard
2	Tool Rail
2	Paper Tray
1	Diagonal Tray
2	Cantilevered Work Surface
1	Adjustable Keyboard Tray
1	Mobile Pedestal, Box/File
1	Pencil Drawer
1	CPU Holder

# E0057

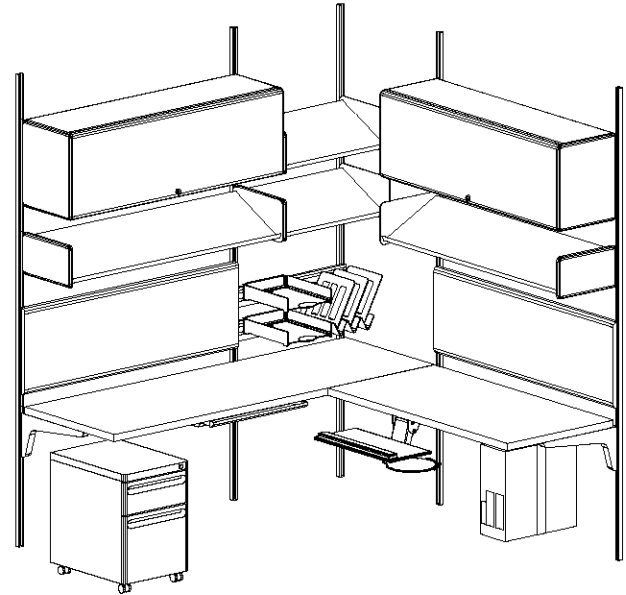
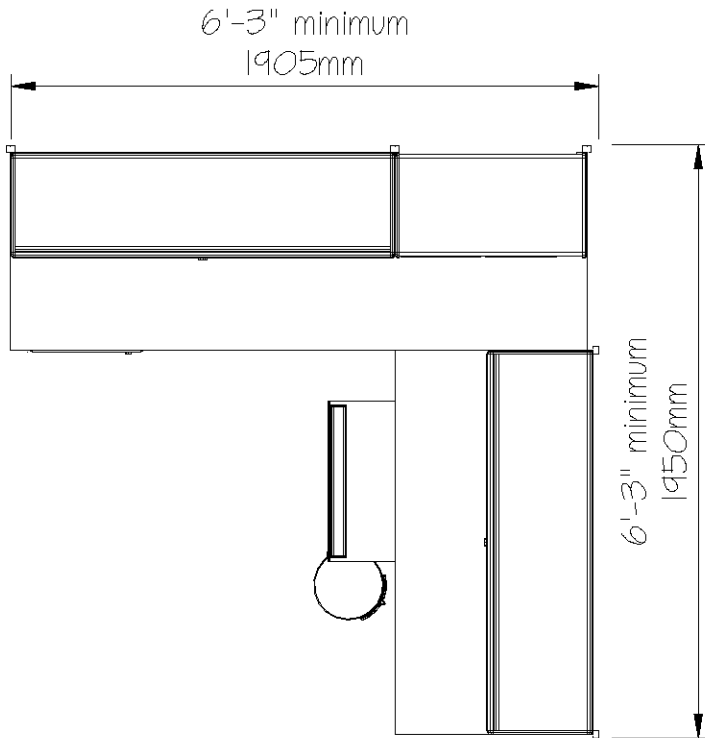
WORKSTN,L-SHAPE W/TABLE,WALL MTD,60x72



<u>QTY</u>	<u>DESCRIPTION</u>
3	Vertical Hanging Strips
2	Lockable Flipper Unit
2	Shelf, Storage/Display
2	Light
1	Tackboard
2	Tool Rail
2	Paper Tray
1	Diagonal Tray
1	Cantilevered Work Surface
1	Adjustable Keyboard Tray
1	Mobile Pedestal, Box/File
1	Freestanding Work Surface

# E0060

WORKSTN,L-SHAPE,WALL MTD,72x72

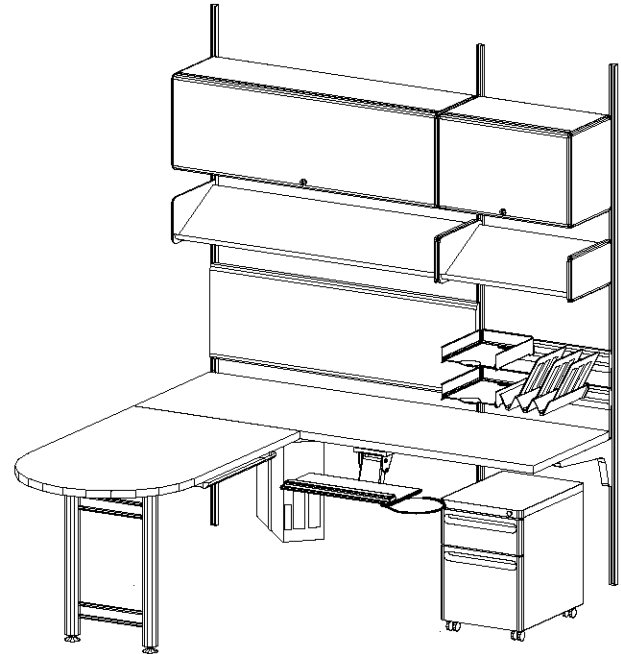
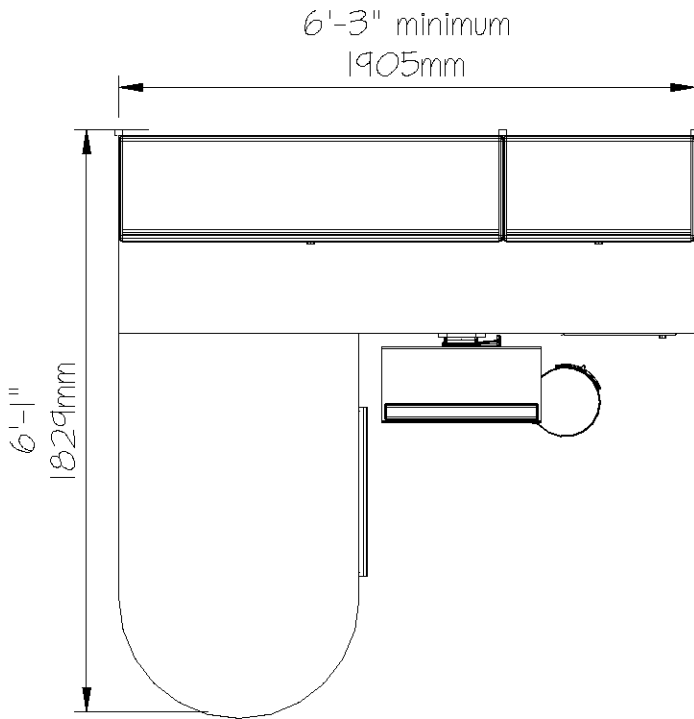


QTY	DESCRIPTION
5	Vertical Hanging Strips
2	Lockable Flipper Unit
4	Shelf, Storage/Display
3	Light
2	Tackboard
2	Tool Rail
2	Paper Tray
1	Diagonal Tray
2	Cantilevered Work Surface
1	Adjustable Keyboard Tray
1	Mobile Pedestal, Box/File
1	Pencil Drawer
1	CPU Holder



# E0063

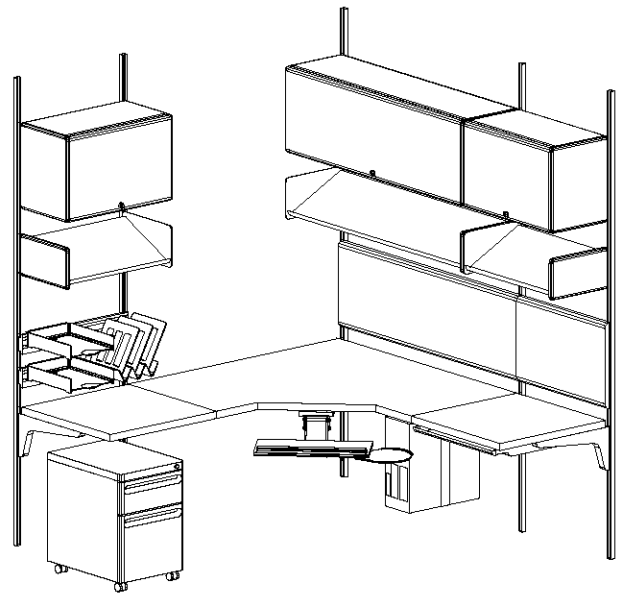
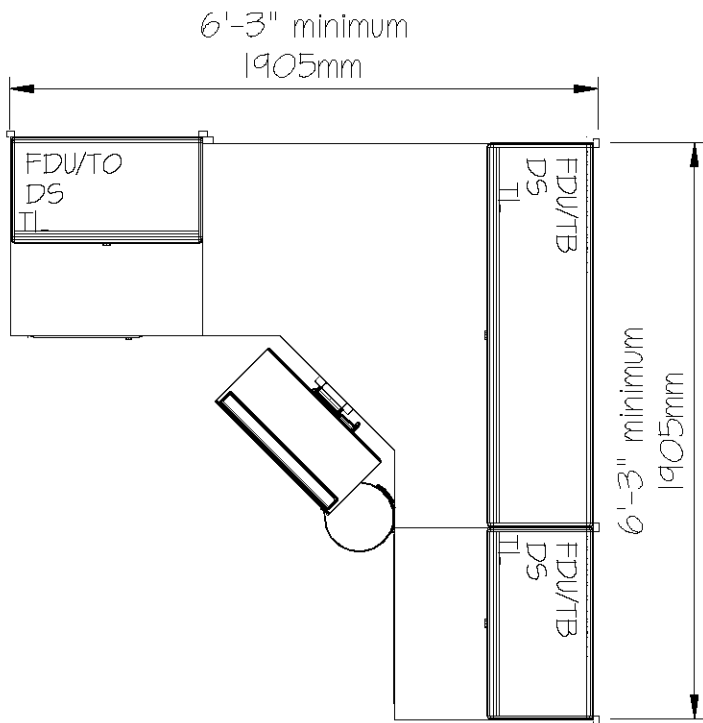
WORKSTN,L-SHAPE PENINSULA,WALL MTD,72x72



<u>QTY</u>	<u>DESCRIPTION</u>
3	Vertical Hanging Strips
2	Lockable Flipper Unit
2	Shelf, Storage/Display
2	Light
1	Tackboard
2	Tool Rail
2	Paper Tray
1	Diagonal Tray
1	Cantilevered Work Surface
1	Peninsula Work Surface
1	Adjustable Keyboard Tray
1	Mobile Pedestal, Box/File
1	Pencil Drawer
1	CPU Holder

# E0066

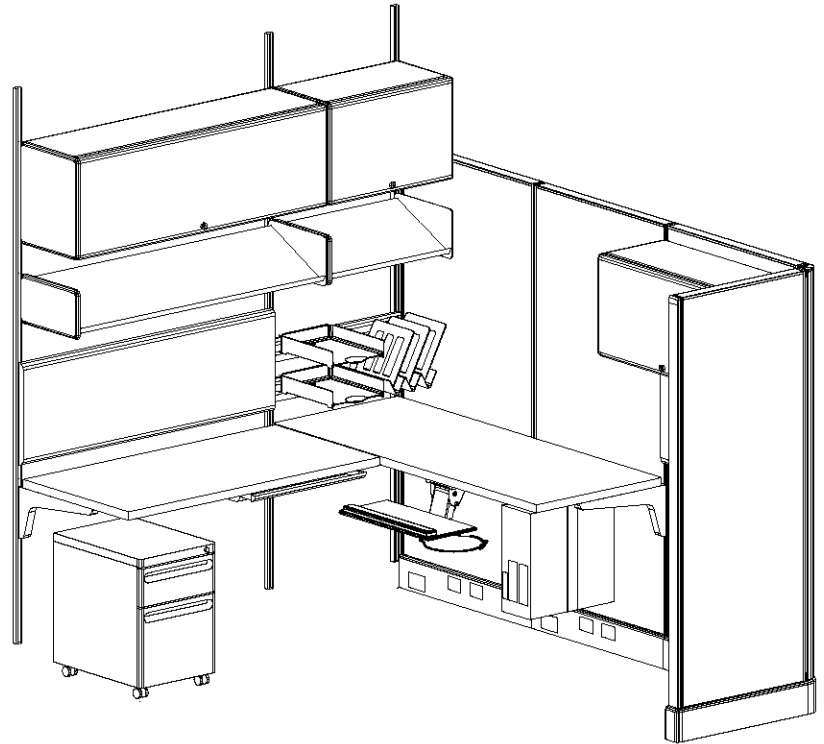
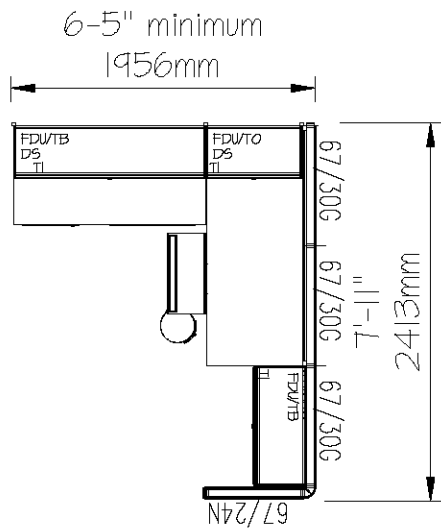
WORKSTN,CORNER COUNTER,WALL MTD,72x72



QTY	DESCRIPTION
5	Vertical Hanging Strips
3	Lockable Flipper Unit
3	Shelf, Storage/Display
3	Light
2	Tackboard
2	Tool Rail
2	Paper Tray
1	Diagonal Tray
2	Cantilevered Work Surface
1	Cantilevered Corner Work Surface
1	Mobile Pedestal, Box/File
1	Adjustable Keyboard Tray
1	Pencil Drawer
1	CPU Holder

# E0069

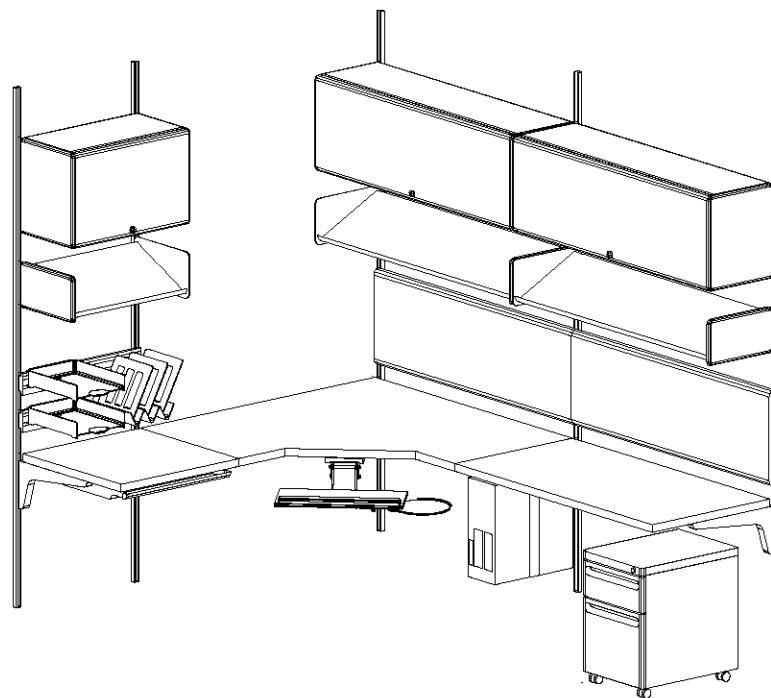
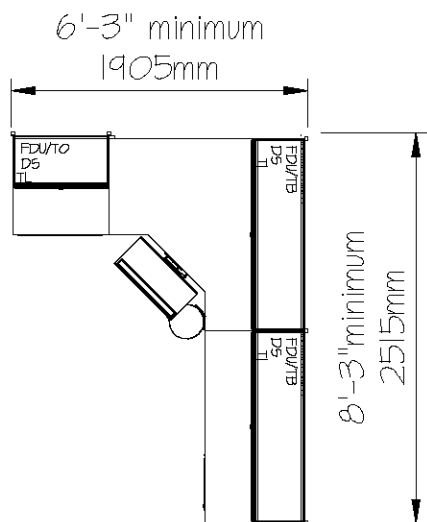
WORKSTN,L-SHAPE,WALL & PANEL MTD,48x72



QTY	DESCRIPTION
3	Vertical Hanging Strips
4	Standard Solid Panel
2	Panel-to-Panel Connector
1	Panel Connector, 2-way Corner
1	Finished End Hardware
3	Lockable Flipper Unit
2	Shelf, Storage/Display
3	Light
2	Tackboard
2	Tool Rail
2	Paper Tray
1	Diagonal Tray
2	Cantilevered Work Surface
1	Adjustable Keyboard Tray
1	Mobile Pedestal, Box/File
1	Pencil Drawer
1	CPU Holder

# E0072

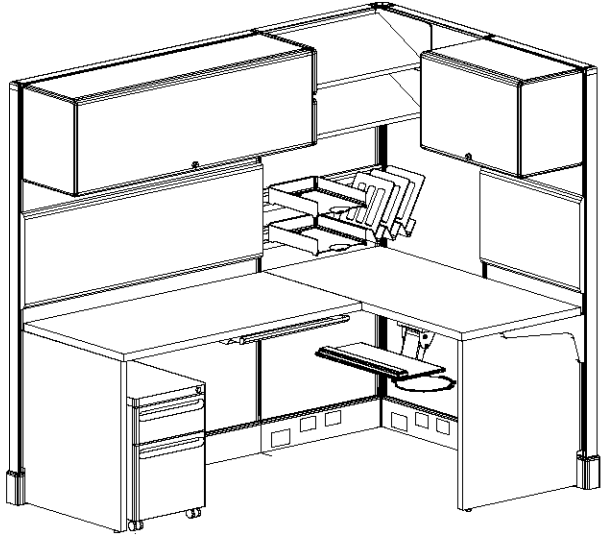
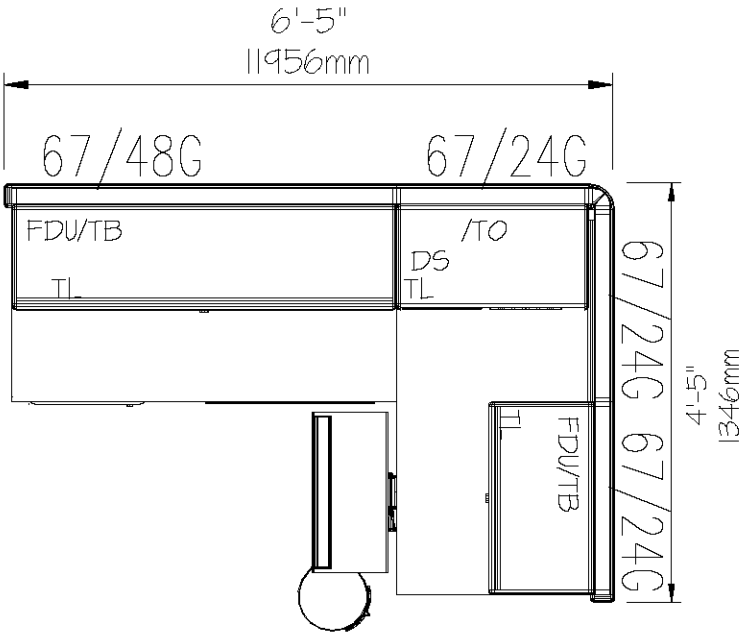
WORKSTN,CORNER COUNTER,WALL MTD,72x96



<u>QTY</u>	<u>DESCRIPTION</u>
5	Vertical Hanging Strips
3	Lockable Flipper Unit
3	Shelf, Storage/Display
3	Light
2	Tackboard
2	Tool Rail
2	Paper Tray
1	Diagonal Tray
2	Cantilevered Work Surface
1	Cantilevered Corner Work Surface
1	Adjustable Keyboard Tray
1	Mobile Pedestal, Box/File
1	Pencil Drawer
1	CPU Holder

# E0075

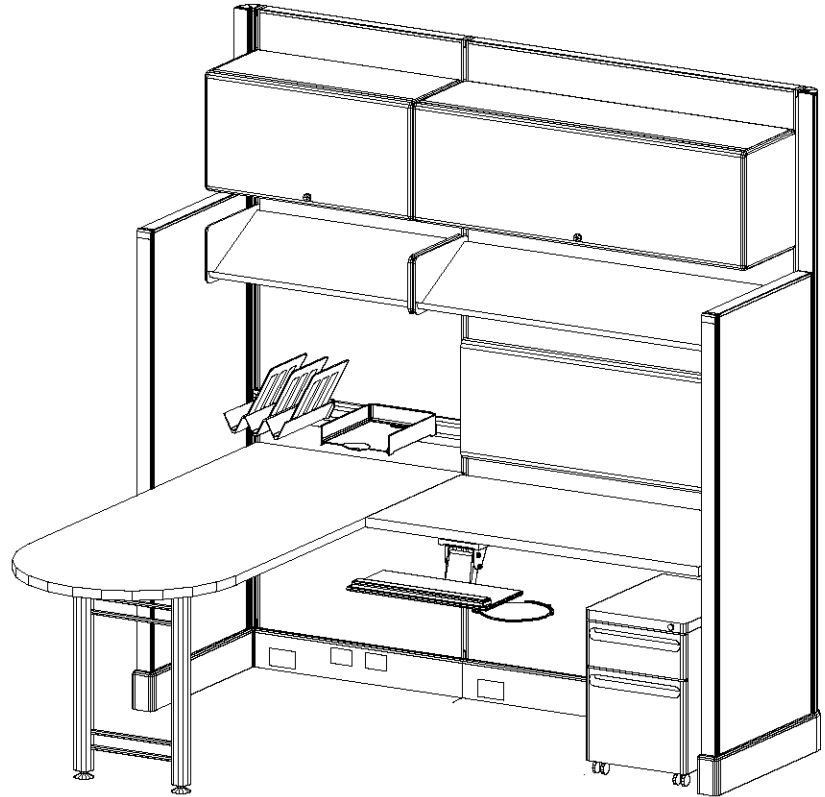
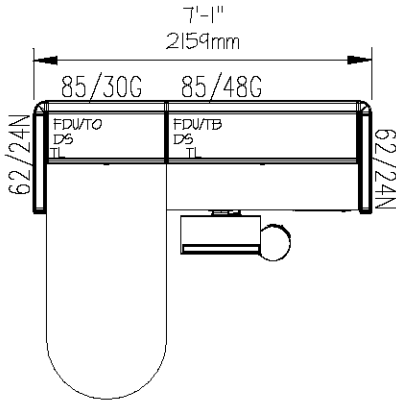
WORKSTN,L-SHAPE,FREE STD,48x72



QTY	DESCRIPTION
4	Standard Solid Panel
2	Panel-to-Panel Connector
1	Panel Connector, 2-Way
2	Finished End Hardware
2	Lockable Flipper Unit
2	Shelf, Storage/Display
3	Light
2	Tackboard
2	Tool Rail
2	Paper Tray
1	Diagonal Tray
2	Cantilevered Work Surface
1	Adjustable Keyboard Tray
1	Mobile Pedestal, Box/File
1	Pencil Drawer
2	Support Panel

# E0078

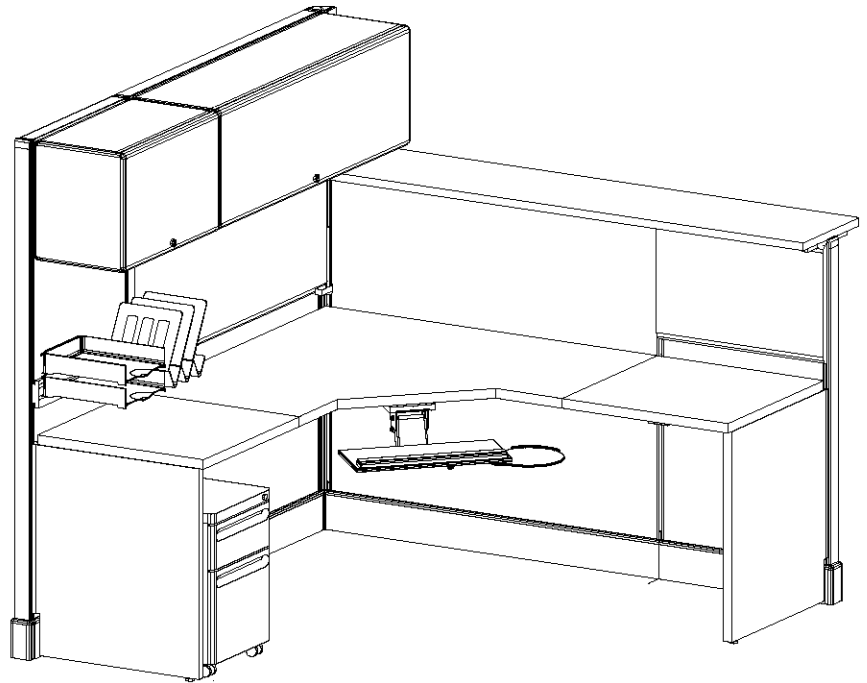
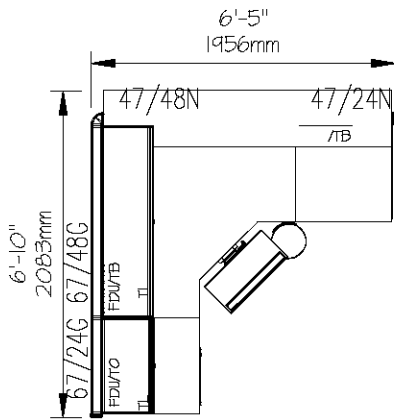
WORKSTN,L-SHAPED PENINSULA,FREE STD,72x72



QTY	DESCRIPTION
4	Standard Solid Panels
2	Panel Connector, 2-way Corner
1	Panel-to-Panel Connector
2	Finished End Hardware
1	Cantilevered Work Surface
1	Peninsula Work Surface
2	Lockable Flipper Unit
2	Shelf, Storage/Display
2	Light
1	Tackboard
1	Tool Rail
1	Paper Tray
1	Diagonal Tray
1	Adjustable Keyboard Tray
1	Mobile Pedestal, Box/File

# E0081

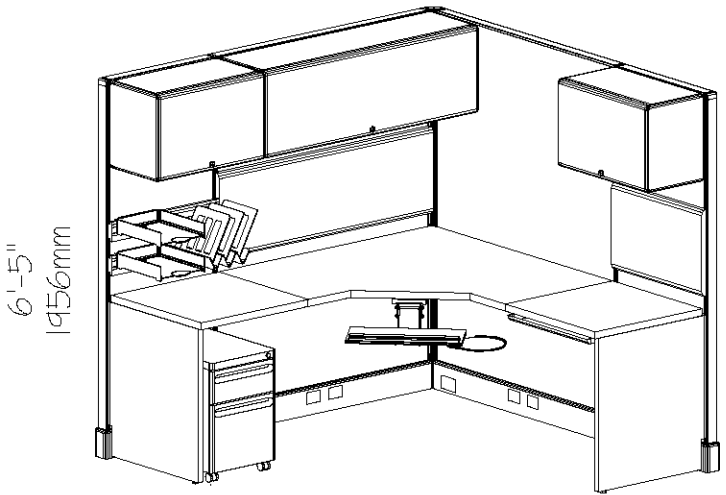
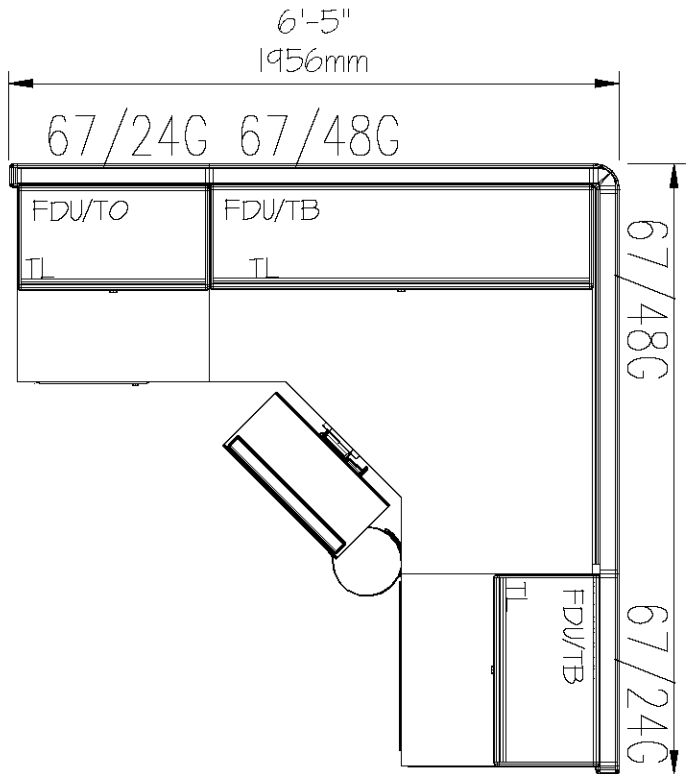
WORKSTN,L-TRANSACTION 72,FREES STD,72x72



QTY	DESCRIPTION
4	Standard Solid Panel
2	Panel-to-Panel Connector
1	Panel Connector, 2-Way Corner
2	Finished End Hardware
1	Cantilevered, Corner Work Surface
2	Cantilevered Work Surface
1	Transaction Counter Top
2	Lockable Flipper Unit
2	Light
2	Tackboard
1	Tool Rail
2	Paper Tray
1	Diagonal Tray
2	Support Panel
1	Adjustable Keyboard Tray
1	Mobile Pedestal, Box/File

# E0084

WORKSTN,CORNER COUNTER,FREE STD,72x72

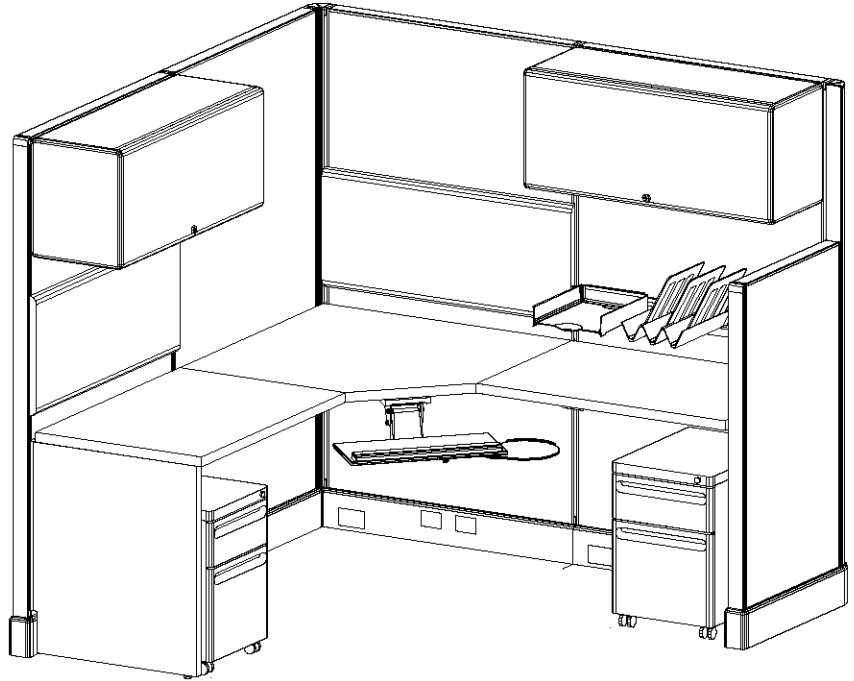
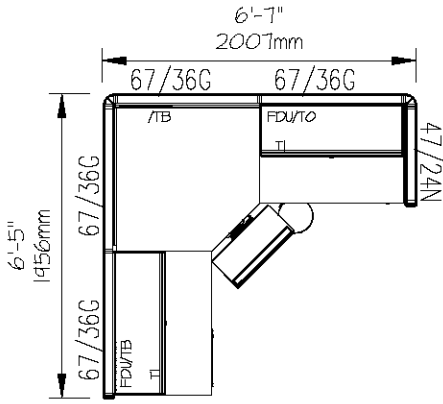


QTY	DESCRIPTION
4	Standard Solid Panel
2	Panel-to-Panel Connector
1	Panel Connector, 2-Way Corner
2	Finished End Hardware
3	Lockable Flipper Unit
3	Light
2	Tackboard
2	Tool Rail
2	Paper Tray
1	Diagonal Tray
2	Cantilevered Work Surface
1	Cantilevered Corner Work Surface
1	Mobile Pedestal, Box/File
1	Freestanding Work Surface
1	Pencil Drawer
2	Support Panel



# E0087

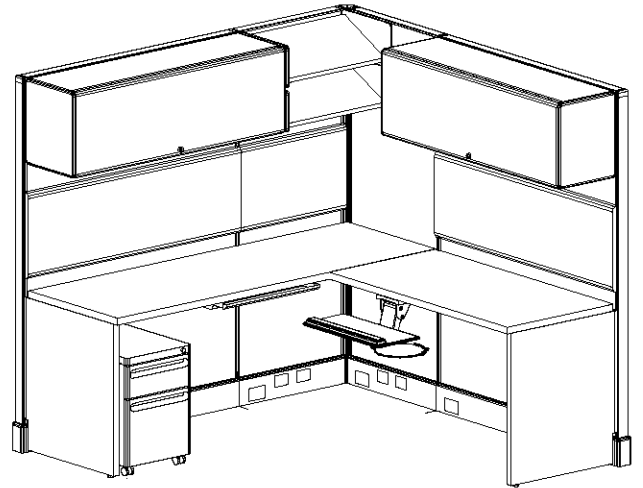
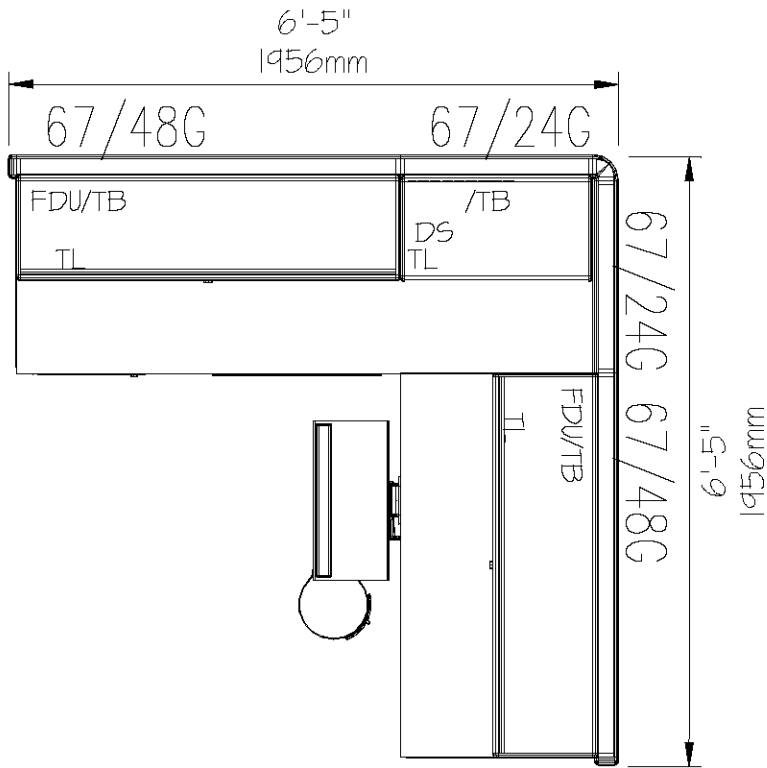
WORKSTN,CORNER CNTR W/PEDS,FREE STD,72x72



QTY	DESCRIPTION
5	Standard Solid Panel
2	Panel-to-Panel Connector
2	Panel Connector, 2-Way Corner
2	Finished End Hardware
1	Cantilevered, Corner Work Surface
2	Cantilevered, Work Surface
2	Lockable Flipper Unit
2	Light
2	Tackboard
1	Tool Rail
2	Paper Tray
1	Diagonal Tray
1	Adjustable Keyboard Tray
2	Mobile Pedestal, Box/File
1	Support Panel

# E0090

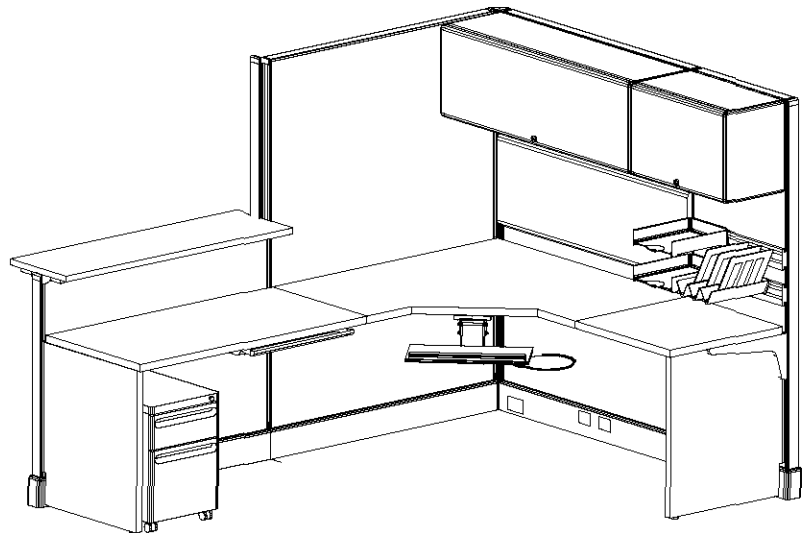
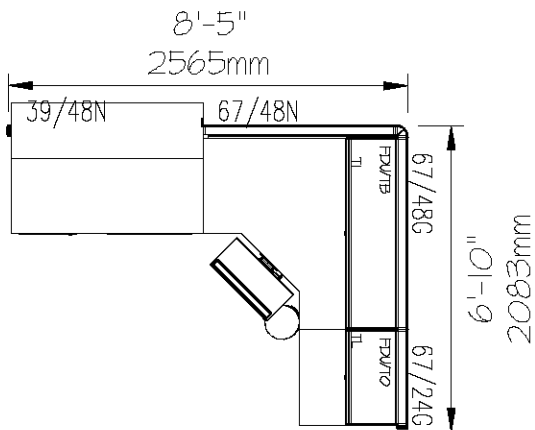
WORKSTN,L-SHAPE,FREE STD,72x72



QTY	DESCRIPTION
4	Standard Solid Panel
2	Panel-to-Panel Connector
1	Panel Connector, 2-Way Corner
2	Finished End Hardware
2	Lockable Flipper Unit
2	Shelf, Storage/Display
3	Light
3	Tackboard
2	Cantilevered Work Surface
1	Adjustable Keyboard Tray
1	Mobile Pedestal, Box/File
1	Pencil Drawer
2	Support Panel

# E0093

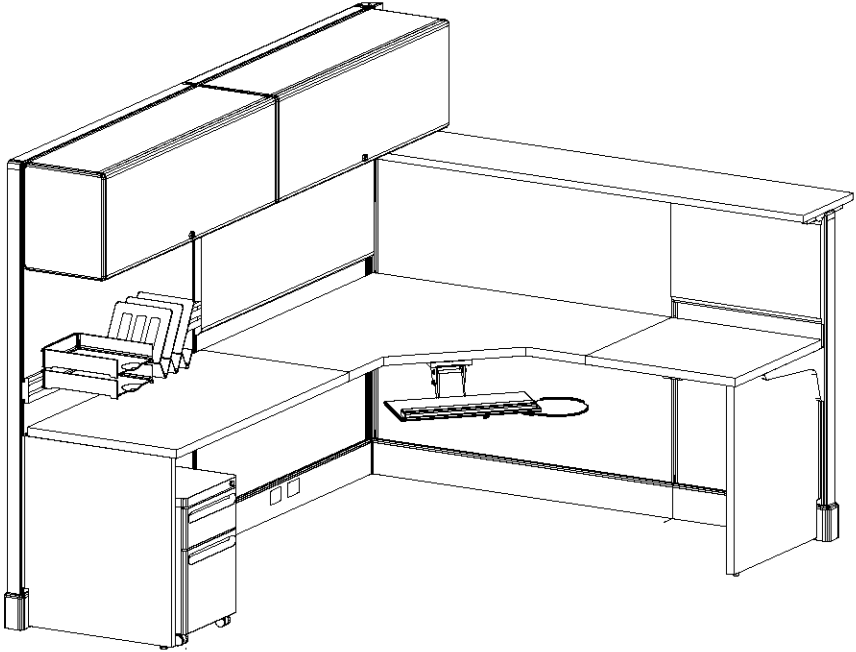
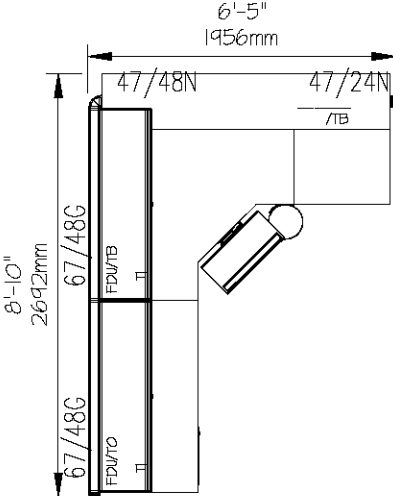
WORKSTN,L-TRANSACTION 48,FREE STD,72x96



QTY	DESCRIPTION
4	Standard Solid Panel
2	Panel-to-Panel Connector
1	Panel Connector, 2-Way Corner
3	Finished End Hardware
2	Lockable Flipper Unit
2	Light
1	Tackboard
2	Tool Rail
2	Paper Tray
1	Diagonal Tray
2	Cantilevered Work Surface
1	Cantilevered Corner Work Surface
1	Transaction Countertop
1	Adjustable Keyboard Tray
1	Mobile Pedestal, Box/File
1	Pencil Drawer
2	Support Panel

# E0096

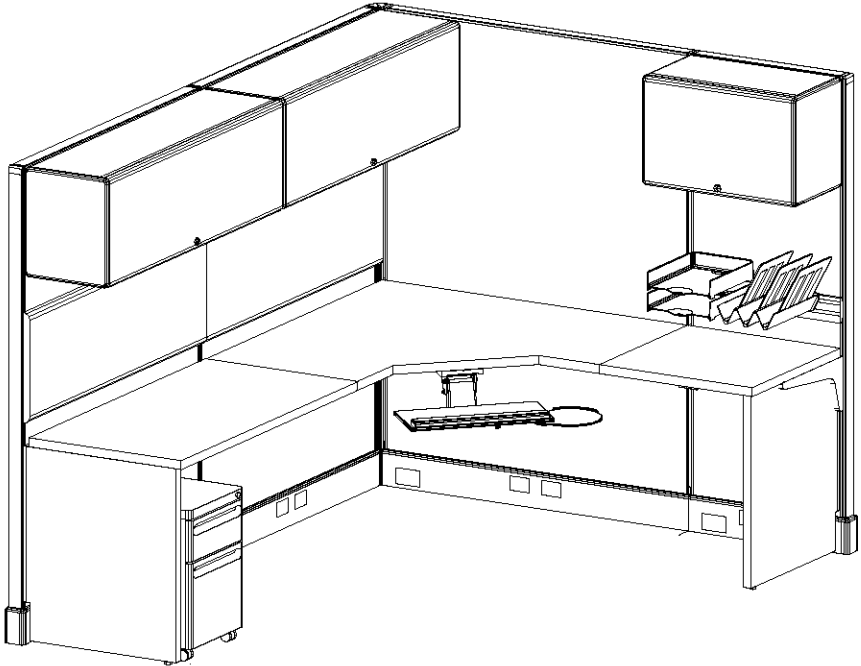
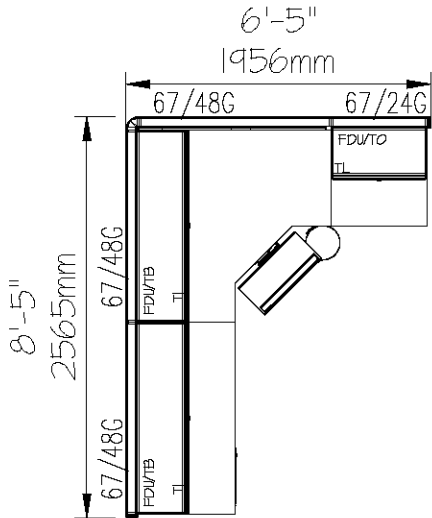
WORKSTN,L-TRANSACTION 72,FREE STD,72x96



<u>QTY</u>	<u>DESCRIPTION</u>
4	Standard Solid Panel
1	Panel Connector, 2-Way Corner
2	Panel-to-Panel Connector
2	Finished End Hardware
1	Cantilevered Corner Worksurface
2	Cantilevered Work Surface
1	Transaction Counter Top
2	Lockable Flipper Unit
2	Light
2	Tackboard
1	Tool Rail
2	Paper Tray
2	Diagonal Tray
1	Mobile Pedestal, Box/File
1	Adjustable Keyboard Tray
2	Support Panel

# E0099

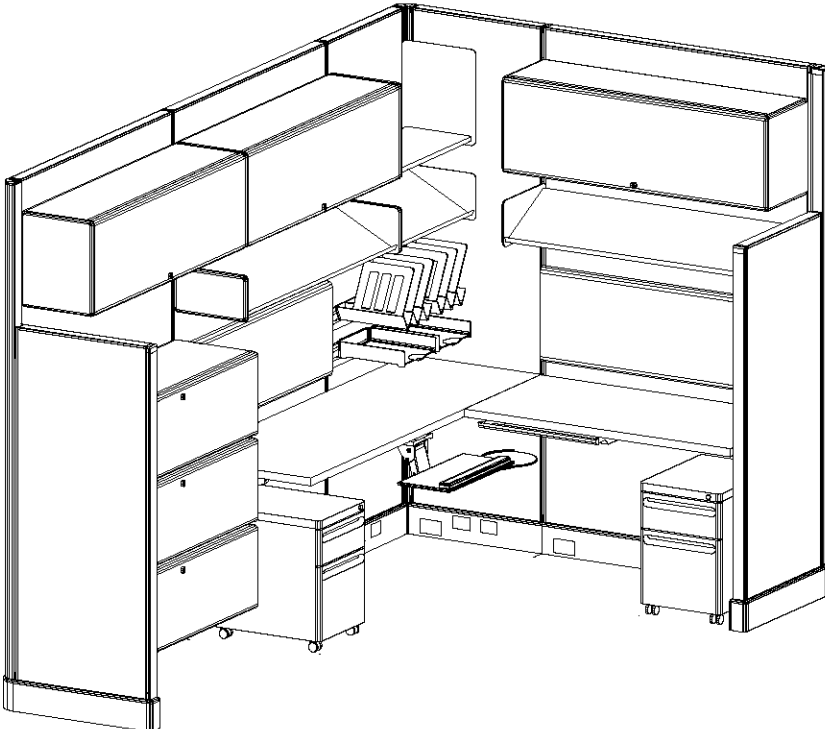
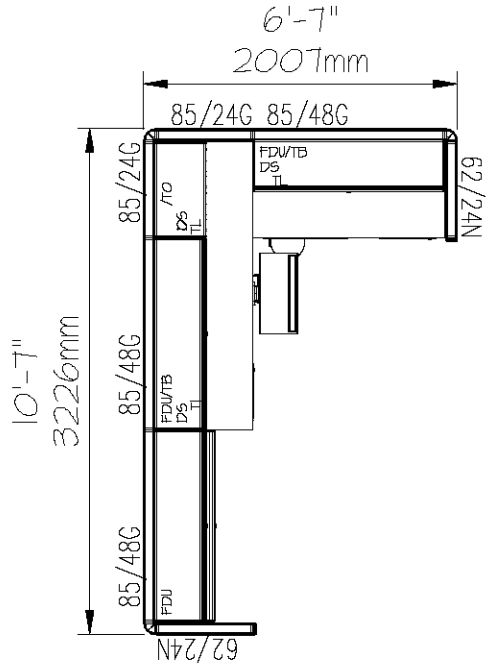
WORKSTN,CORNER COUNTER,FREE STD,72x96



<u>QTY</u>	<u>DESCRIPTION</u>
4	Standard Solid Panel
2	Panel-to-Panel Connector
1	Panel Connector, 2-Way Corner
2	Finished End Hardware
1	Cantilevered Corner Worksurface
2	Cantilevered Work Surface
3	Lockable Flipper Unit
3	Light
2	Tackboard
2	Tool Rail
2	Paper Tray
1	Diagonal Tray
1	Adjustable Keyboard Tray
1	Mobile Pedestal, Box/File
2	Support Panel

# E0102

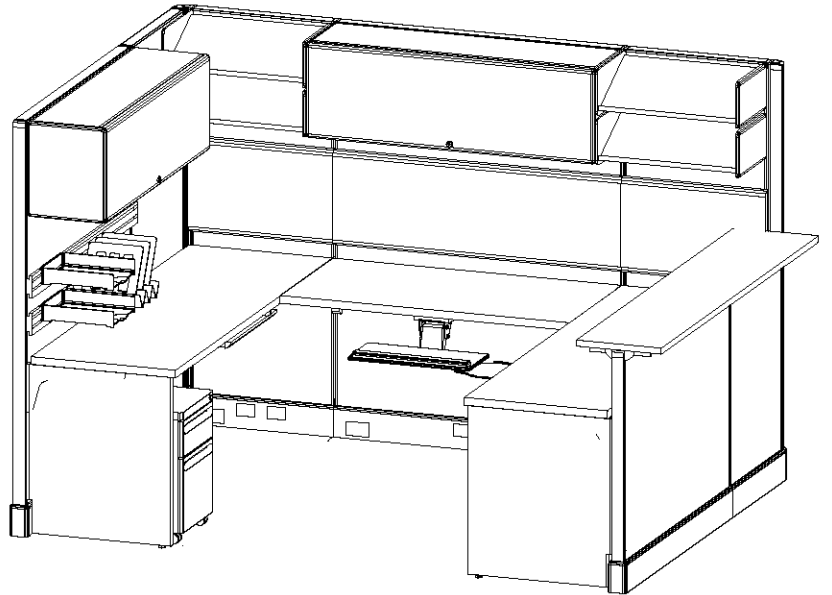
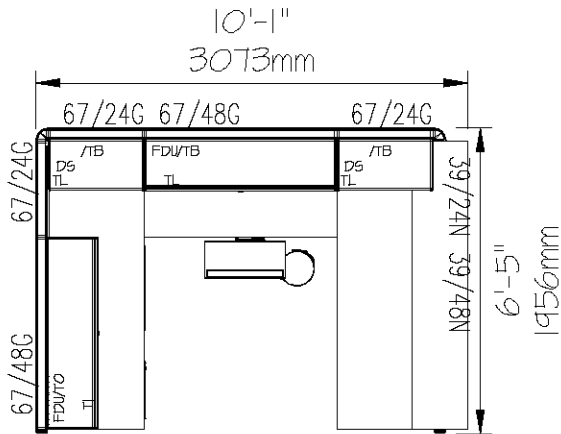
WORKSTN,L-SHAPE W/FILES,FREE STD,72x120



QTY	DESCRIPTION
7	Standard Solid Panel
3	Panel Connector, 2-Way Corner
3	Panel-to-Panel Connector
2	Finished End Hardware
2	Cantilevered Work Surface
3	Lockable Flipper Unit
1	Shelf
3	Shelf, Storage/Display
3	Light
3	Hanging File Drawer
2	Tackboard
2	Tool Rail
2	Paper Tray
2	Diagonal Tray
1	Adjustable Keyboard Tray
2	Mobile Pedestal, Box/File
1	Pencil Drawer

# E0105

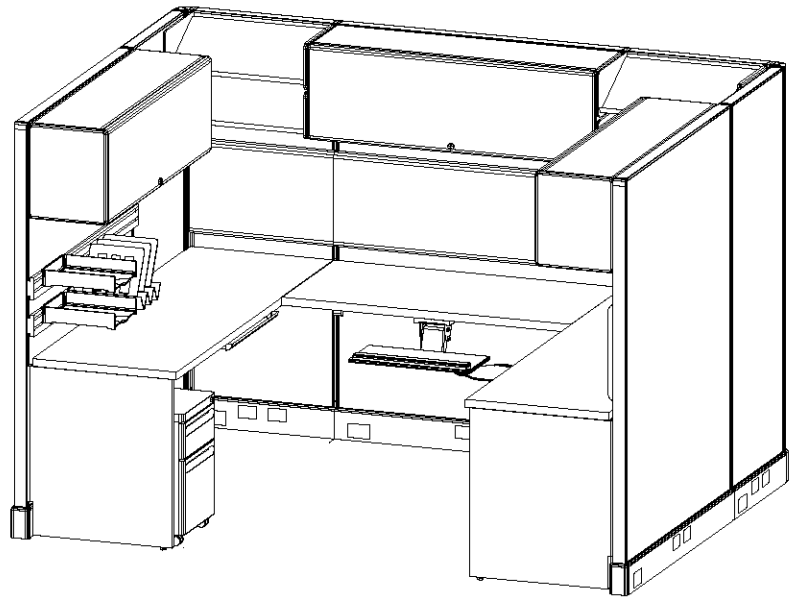
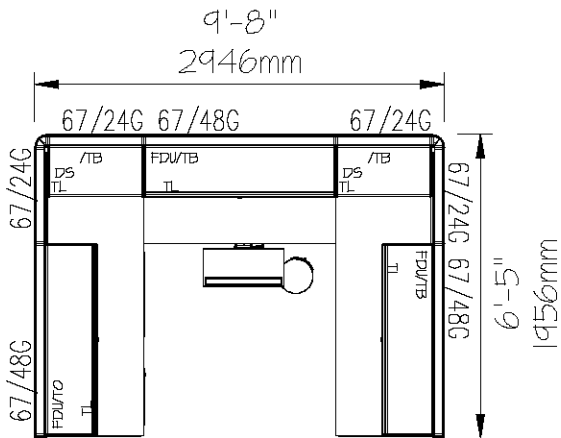
WORKSTN,U-TRANSACTION 72,FREE STD,72x96



QTY	DESCRIPTION
7	Standard Solid Panel
4	Panel-to-Panel Connector
2	Panel Connector, 2-Way Corner
3	Finished End Hardware
2	Lockable Flipper Unit
4	Shelf, Storage/Display
4	Light
3	Tackboard
2	Tool Rail
2	Paper Tray
1	Diagonal Tray
3	Cantilevered Work Surface
1	Transaction Counter Top
1	Adjustable Keyboard Tray
1	Mobile Pedestal, Box/File
1	Pencil Drawer
2	Support Panel

# E0108

WORKSTN,U-SHAPE,FREE STD,72x96

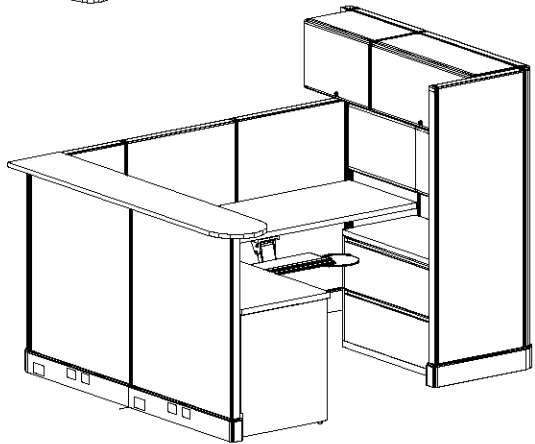
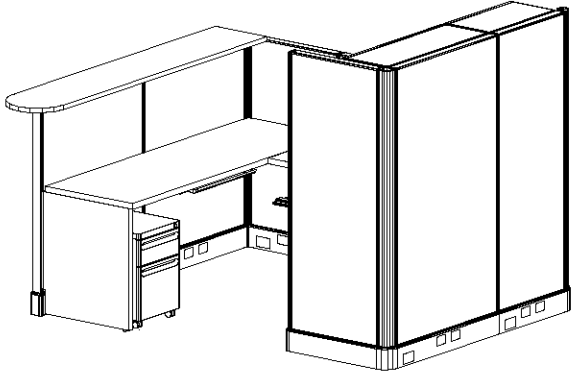
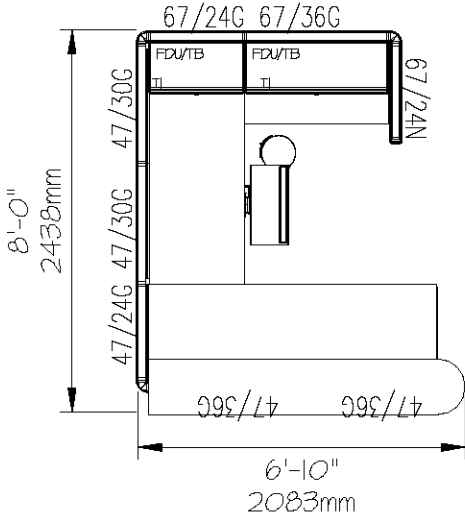


QTY	DESCRIPTION
7	Standard Solid Panel
4	Panel-to-Panel Connector
2	Panel Connector, 2-Way Corner
2	Finished End Hardware
3	Lockable Flipper Unit
4	Shelf, Storage/Display
5	Light
4	Tackboard
2	Tool Rail
2	Paper Tray
1	Diagonal Tray
3	Cantilevered Work Surface
1	Adjustable Keyboard Tray
1	Mobile Pedestal, Box/File
1	Pencil Drawer
2	Support Panel



# E0111

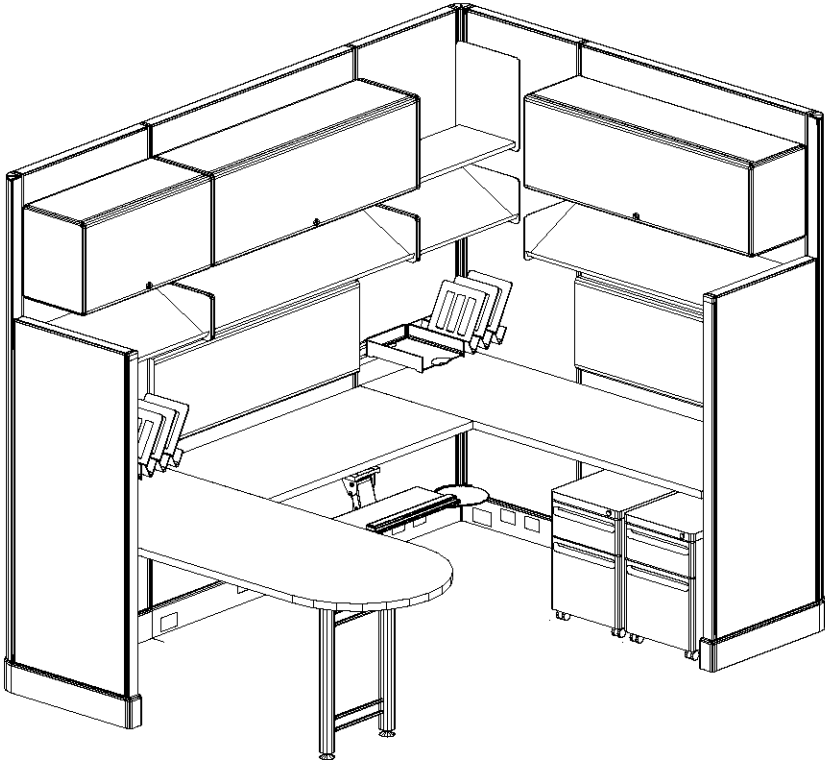
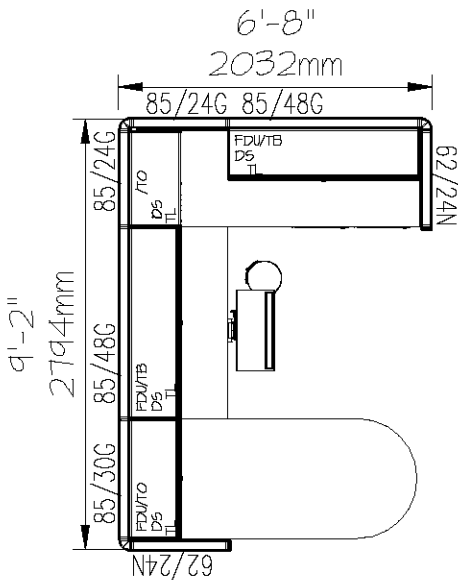
WORKSTN,U-TRANSACTION 72,FREE STD 72x48



QTY	DESCRIPTION
7	Standard Solid Panel
4	Panel-to-Panel Connector
3	Panel Connector, 2-Way Corner
2	Finished End Hardware
2	Lockable Flipper Unit
2	Light
2	Tackboard
2	Cantilevered Work Surface
1	Transaction Counter Top
1	Freestanding File Drawer
1	Adjustable Keyboard Tray
1	Mobile Pedestal, Box/File
1	Pencil Drawer
1	Support Panel

# E0114

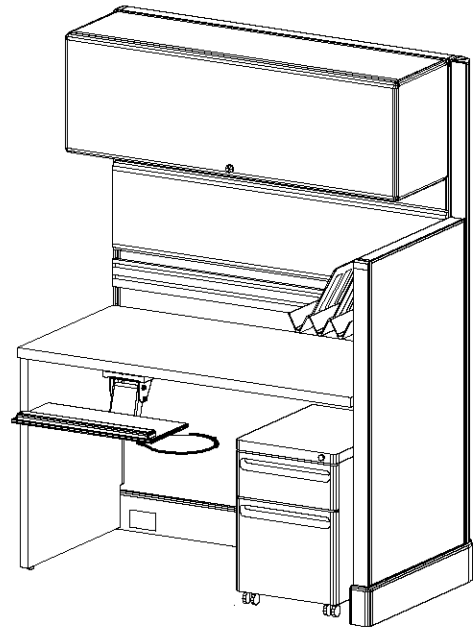
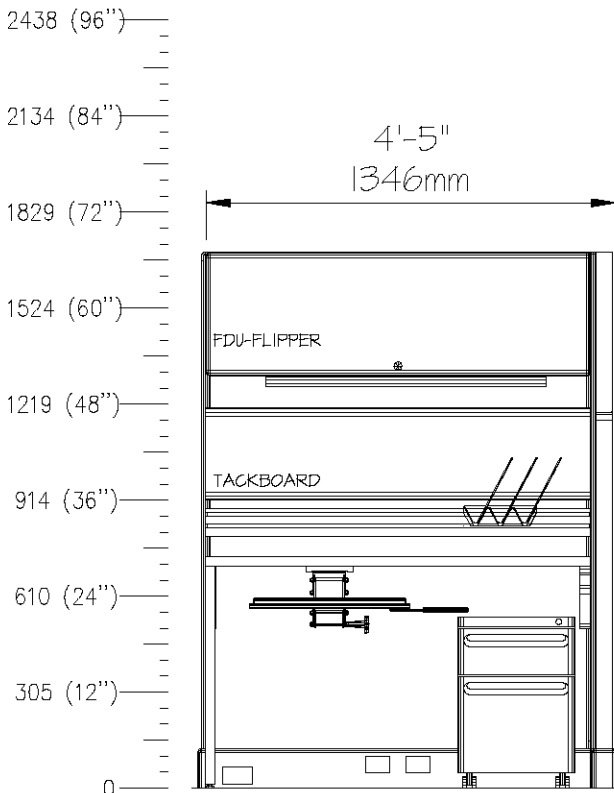
WORKSTN,U-SHAPED PENINSULA,FREE STD,72x96



QTY	DESCRIPTION
7	Standard Solid Panel
3	Panel Connector, 2-Way-Corner
3	Panel-to-Panel Connector
2	Finished End Hardware
2	Cantilevered Work Surface
1	Peninsula Work Surface
3	Lockable Flipper Unit
1	Shelf
4	Shelf, Storage/Display
4	Light
2	Tackboard
2	Tool Rail
2	Paper Tray
2	Diagonal Tray
1	Adjustable Keyboard Tray
2	Mobile Pedestal, Box/File

# E0117

WORKSTN,STRAIGHT,FREE STD,48

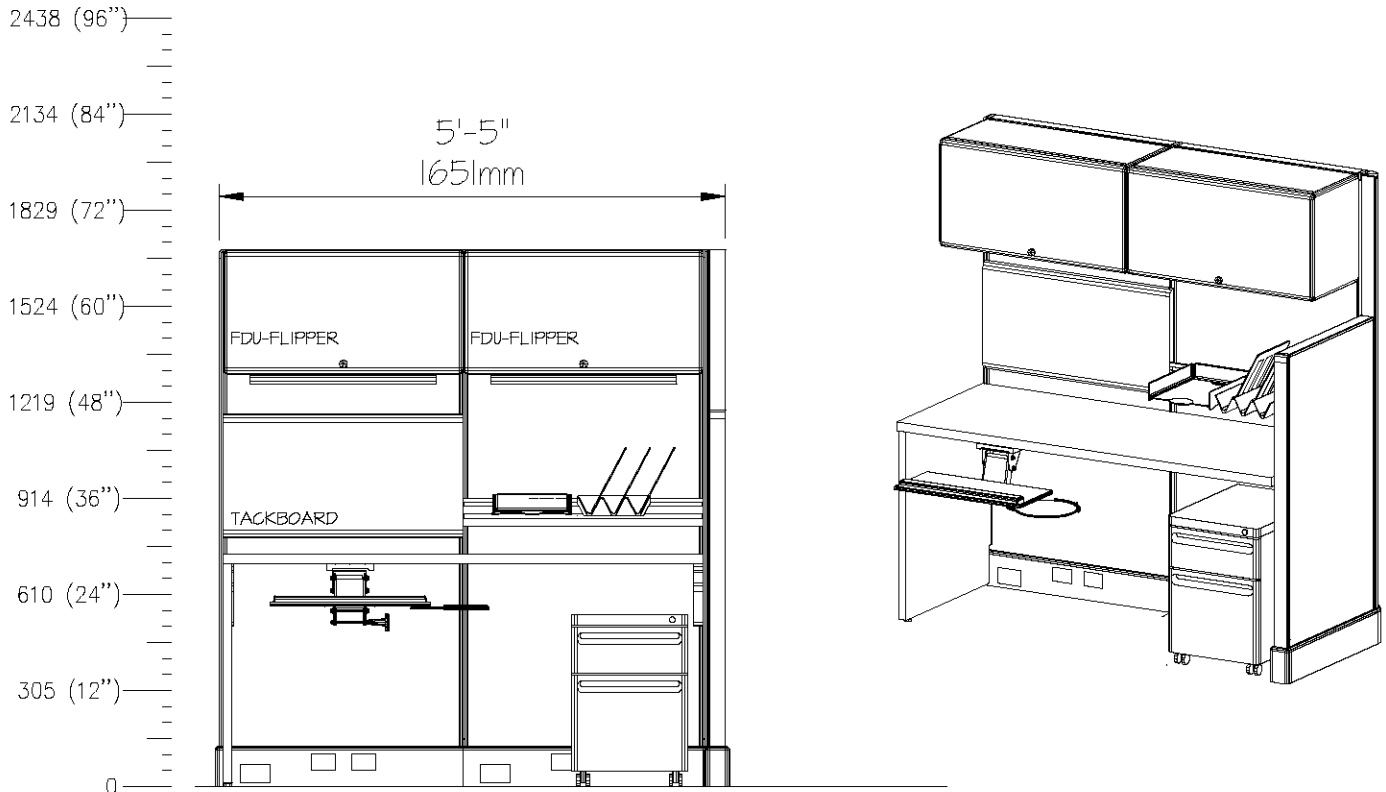


SCALE: 1/2"=1'-0"

QTY	DESCRIPTION
2	Standard Solid Panel
1	Panel Connector, 2-Way Corner
2	Finished End Hardware
1	Cantilevered Work Surface
1	Lockabel Flipper Unit
1	Light
1	Tackboard
1	Tool Rail
1	Diagonal Tray
1	Adjustable Keyboard Tray
1	Mobile Pedestal, Box/File
1	Support Panel

# E0120

WORKSTN, STRAIGHT, FREE STD, 60

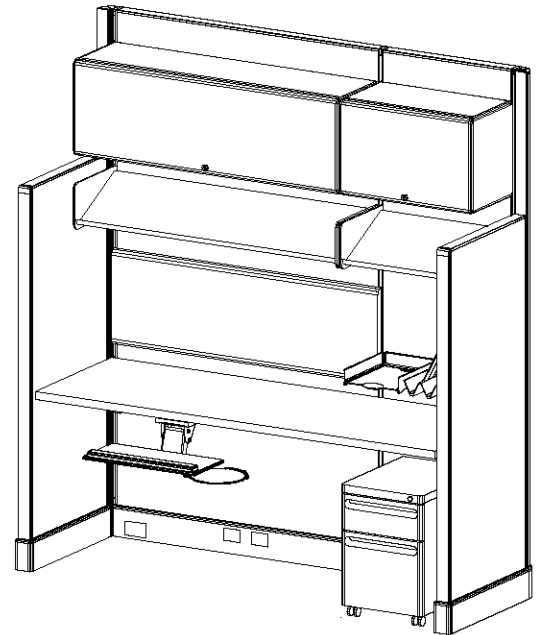
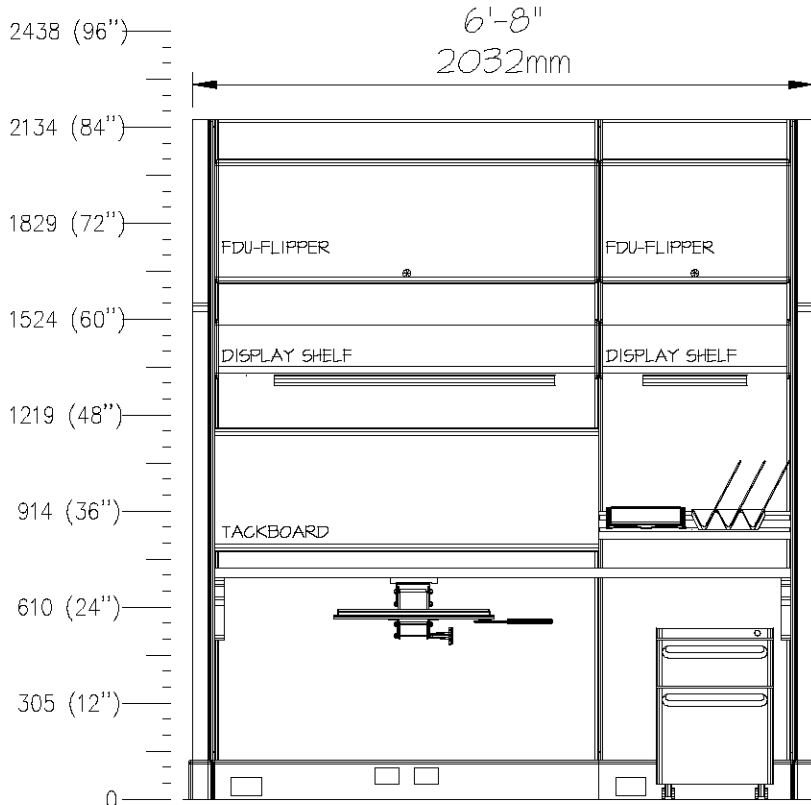


SCALE: 1/2"=1'-0"

QTY	DESCRIPTION
3	Standard Solid Panel
1	Panel-to-Panel Connector
1	Panel Connector, 2-Way Corner
2	Finished End Hardware
1	Cantilevered Work Surface
2	Lockable Flipper Unit
2	Light
1	Tackboard
1	Tool Rail
1	Paper Tray
1	Diagonal Tray
1	Adjustable Keyboard Tray
1	Mobile Pedestal, Box/File
1	Support Panel

# E0123

WORKSTN, STRAIGHT, FREESTD, 72

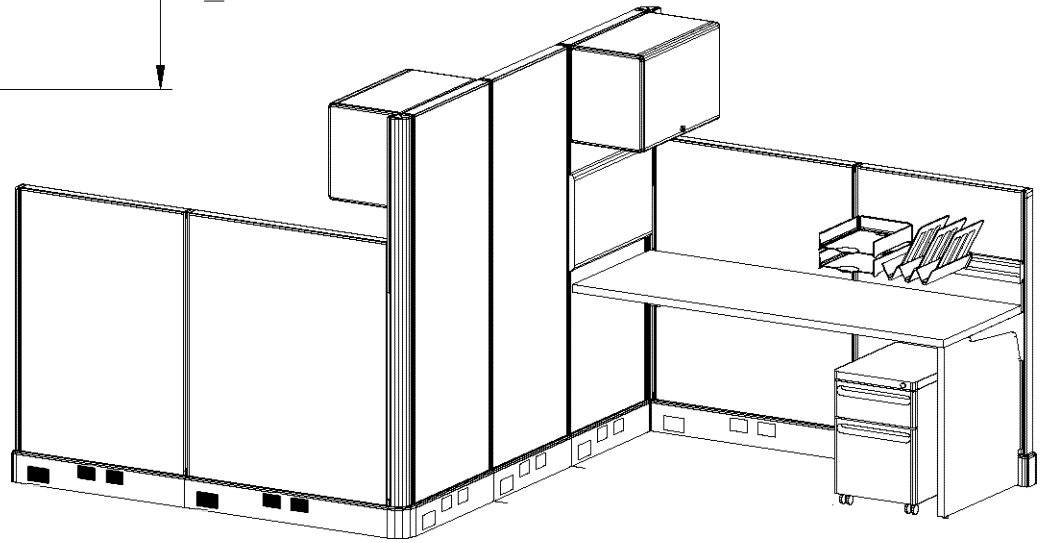
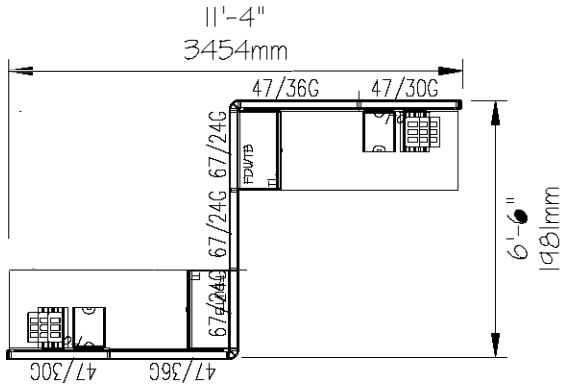


SCALE: 1/2"=1'-0"

QTY	DESCRIPTION
4	Standard Solid Panel
2	Panel Connector, 2-Way Corner
1	Panel-to-Panel Connector
2	Finished End Hardware
1	Cantilevered Work Surface
2	Lockable Flipper Unit
2	Shelf, Storage/Display
2	Light
1	Tackboard
1	Tool Rail
1	Paper Tray
1	Diagonal Tray
1	Adjustable Keyboard Tray
1	Mobile Pedestal, Box/File

# E0126

WORKSTN, STRAIGHT DBL SIDED, FREE STD, 75



QTY	DESCRIPTION
7	Standard Solid Panel
4	Panel-to-Panel Connector
2	Panel Connector, 2-Way Corner
2	Finished End Hardware
2	Lockable Flipper Unit
2	Light
2	Tackboard
2	Tool Rail
4	Paper Tray
2	Diagonal Tray
2	Cantilevered Work Surface
2	Mobile Pedestal, Box/File
2	Support Panel