



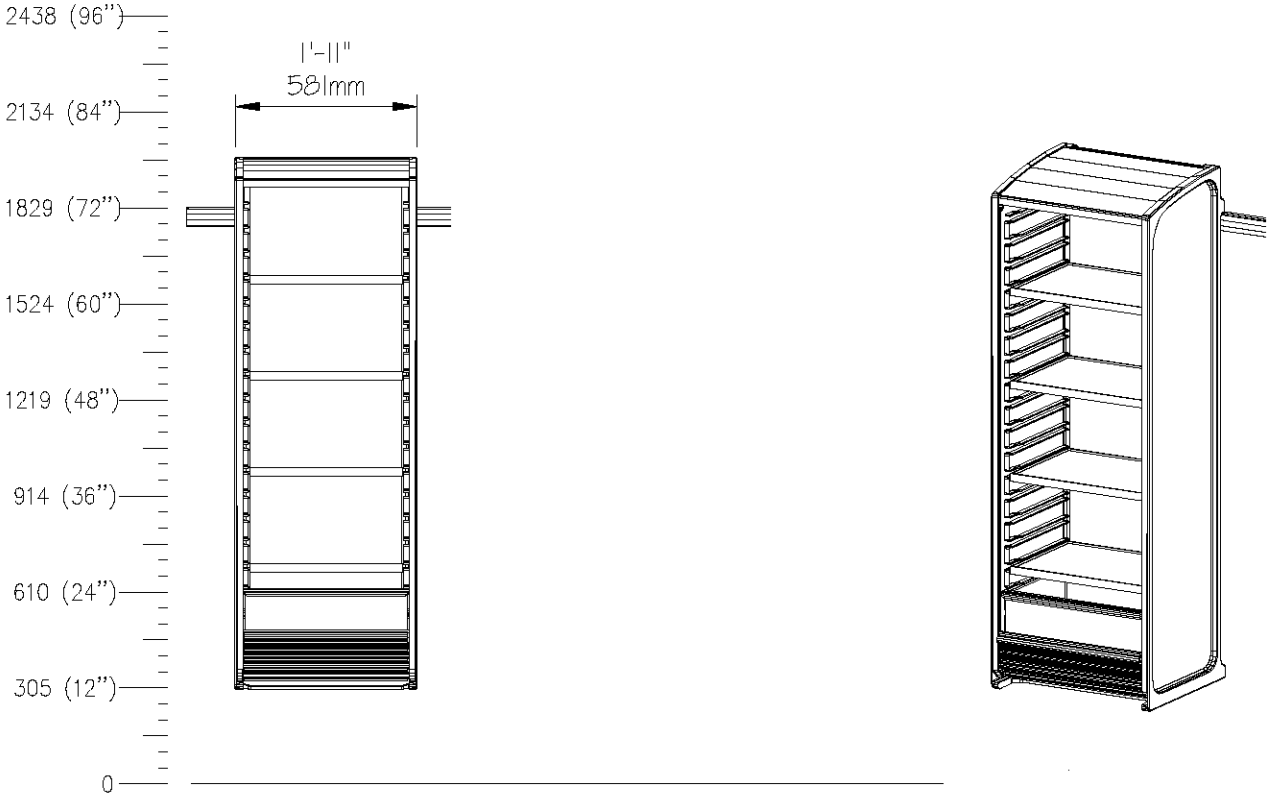
DEPARTMENT OF DEFENSE (DOD)

Joint Schedule Numbers (JSNs)

June 2018

E0903

SUPPLY LOCKER,SHELVES,WALL MTD,23Wx20D

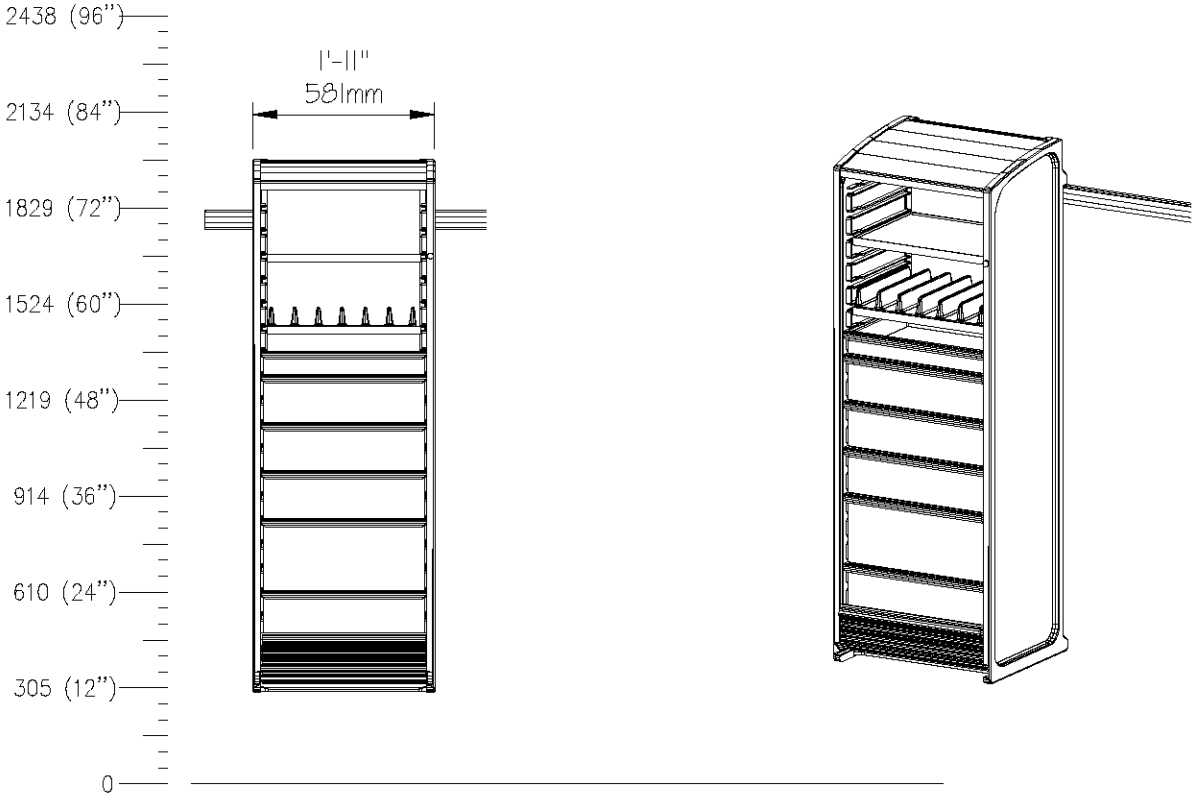


SCALE: 1/2"=1'-0"

QTY	DESCRIPTION
1	Wall Mounted Rail
1	Supply Locker
1	Drawer, 9"H (229mm)
4	Tray/Shelf
	Drawer Organizers

E0906

SUPPLY LOCKER, GENERAL, WALL MTD, 24Wx20D

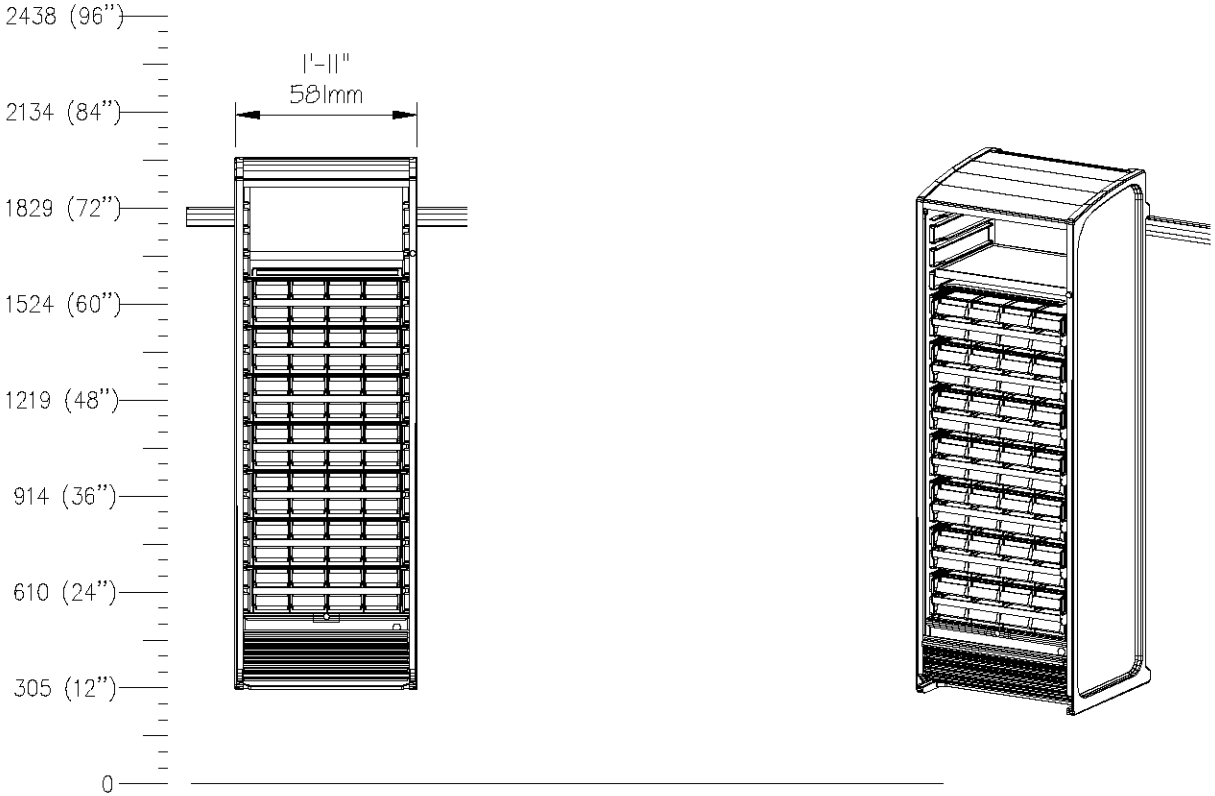


SCALE: 1/2"=1'-0"

QTY	DESCRIPTION
1	Wall Mtd Rail
1	Locked Storage Container
2	Tray/Shelf
1	Drawer, 3"H (76mm)
3	Drawer, 6"H (152mm)
2	Drawer, 9"H (229mm)
1	Tray/Shelf Divider
	Drawer Organizer Bins

E0909

SUPPLY LOCKER,CASSETTES,WALL MTD,23Wx20D

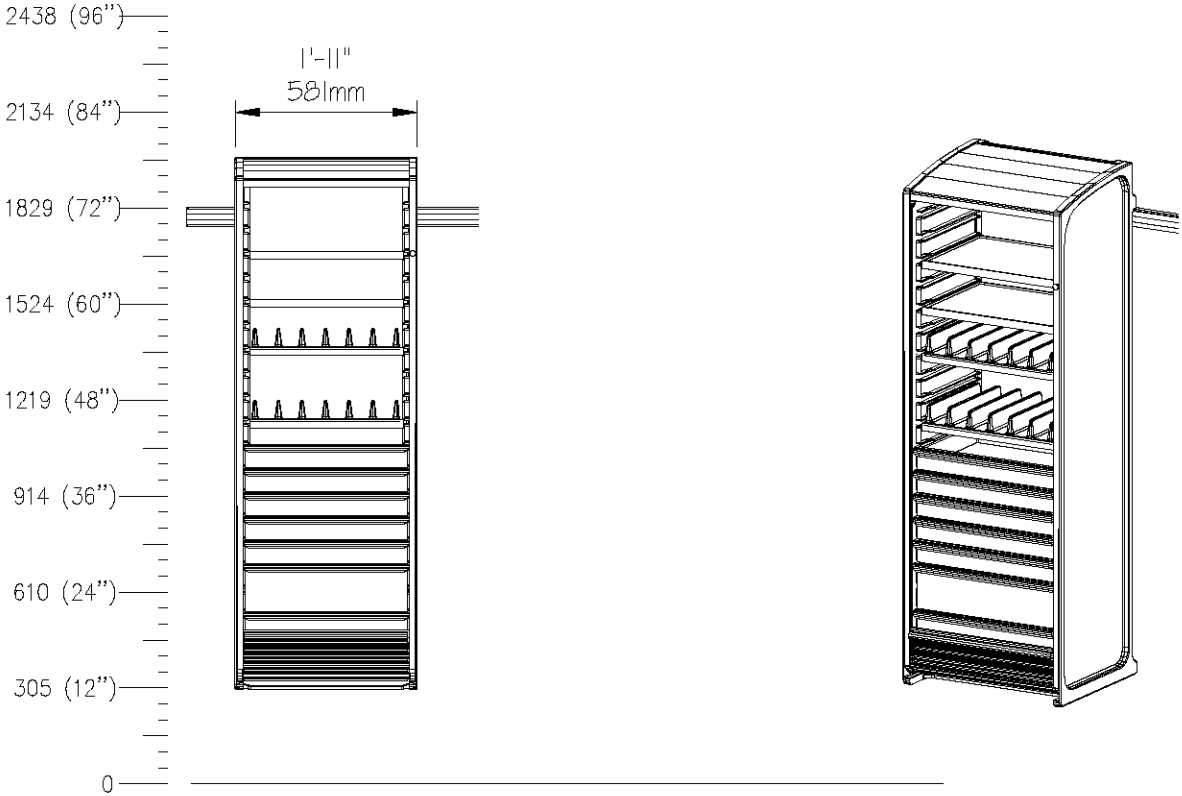


SCALE: 1/2"=1'-0"

<u>QTY</u>	<u>DESCRIPTION</u>
1	Wall Mounted Rail
1	Locked Storage Container
1	Tray/Shelf
7	8-Bin Cassette Assembly
1	Cassette Lid
1	Locked Drawer w/Locked Lid, 6"H (152mm)

E0912

SUPPLY LOCKER, MED SURG, WALL MTD, 23Wx20D

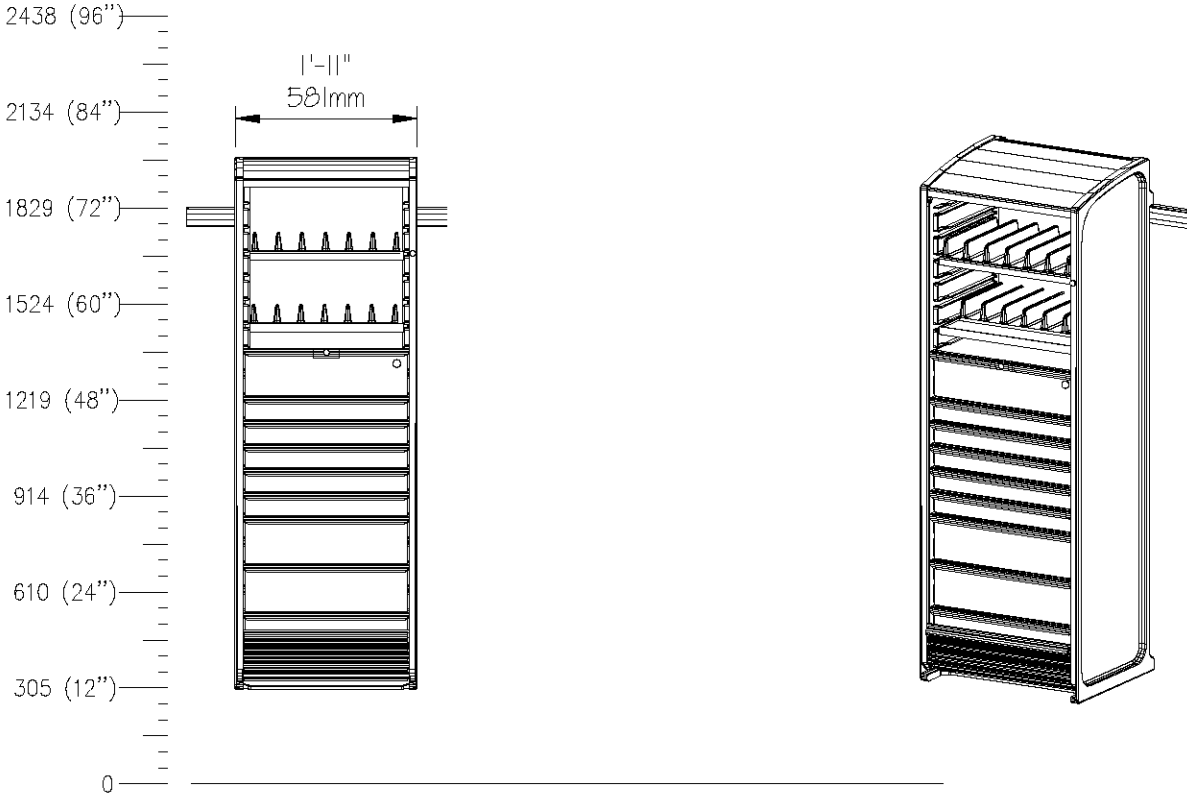


SCALE: 1/2"=1'-0"

<u>QTY</u>	<u>DESCRIPTION</u>
1	Wall Mounted Rail
1	Locked Storage Container
4	Tray/Shelf
5	Drawer, 3"H (76mm)
2	Drawer, 6"H (152mm)
2	Tray/Shelf Divider
	Drawer Organizer Bins

E0915

SUPPLY LOCKER, MEDICATION, WALL MTD, 23Wx20D

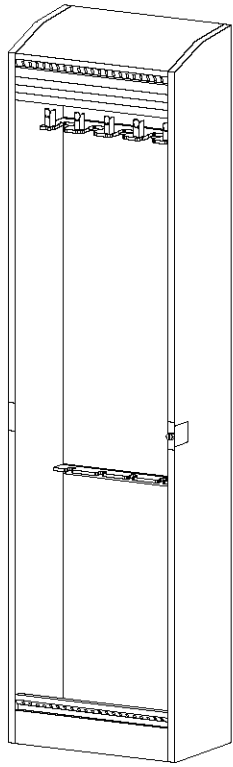
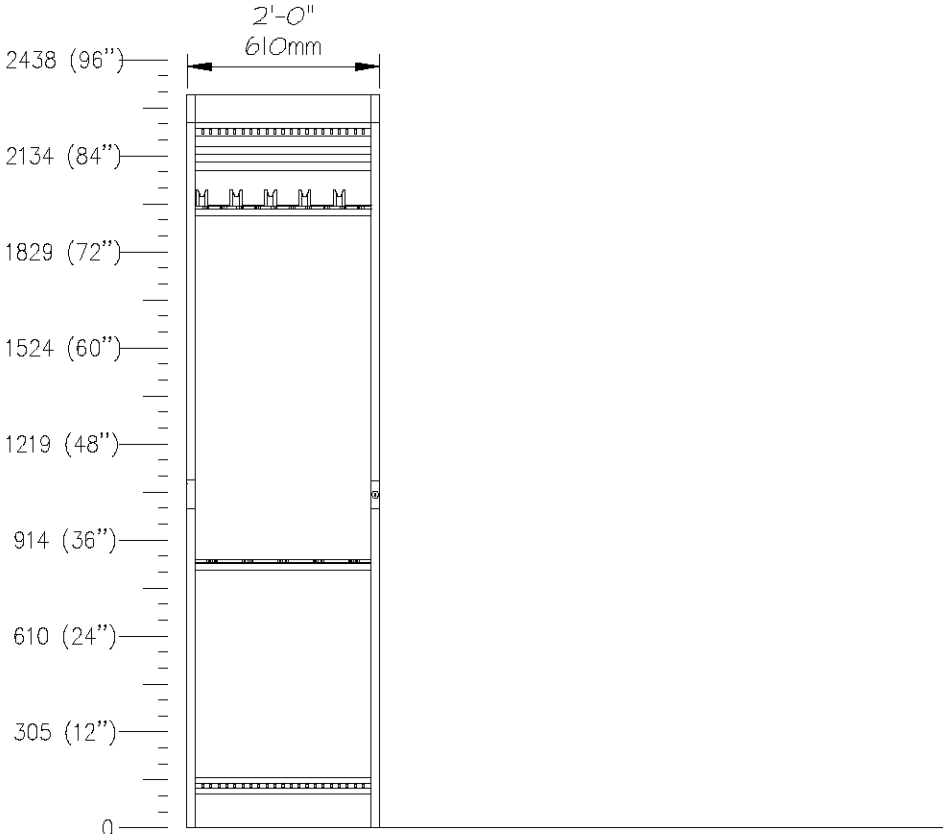


SCALE: 1/2"=1'-0"

QTY	DESCRIPTION
1	Wall Mounted Rail
1	Locked Storage Container
2	Tray/Shelf
1	Locked Drawer w/Locked Lid, 6"H (152mm)
5	Drawer, 3"H (76mm)
3	Drawer, 6"H (152mm)
2	Tray/Shelf Divider
	Drawer Organizer Bins

E0918

SUPPLY LOCKER, ENDOSCOPY, WALL MTD, 24Wx14D

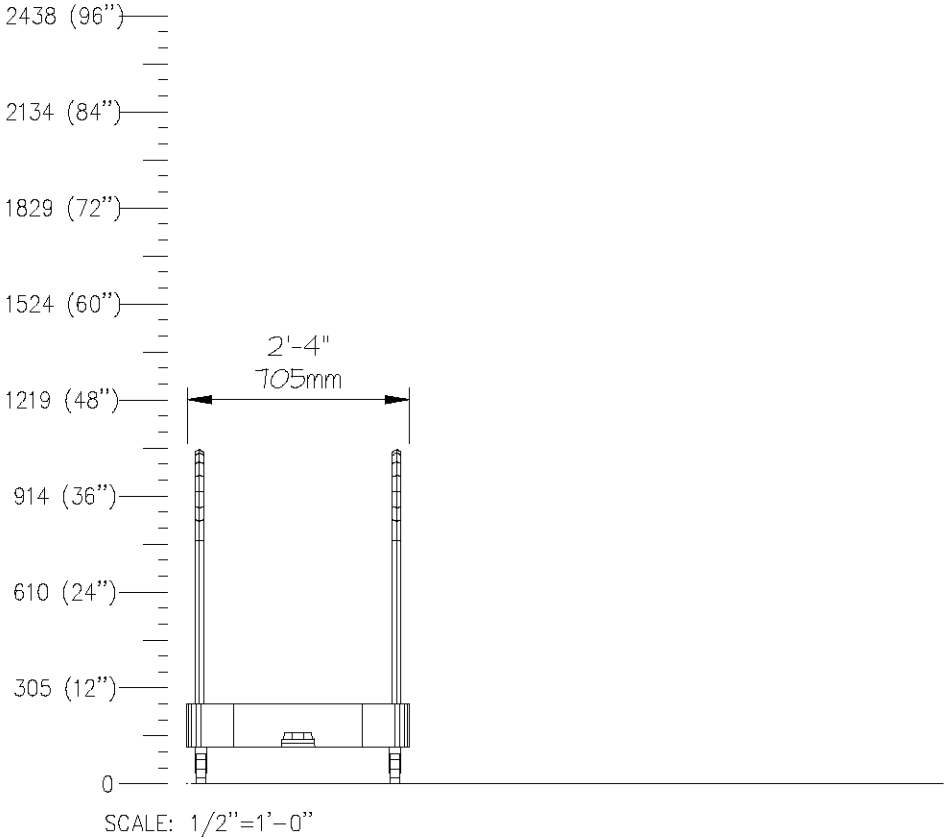


SCALE: 1/2"=1'-0"

QTY	DESCRIPTION
1	Scope Storage Cabinet w/Lock
1	Bracket, Endoscope
1	Bracket, Distal Tube
1	Cabinet Drip Pan

E0921

SUPPLY LOCKER, TRANSPORTER, WALL MTD, 25x27

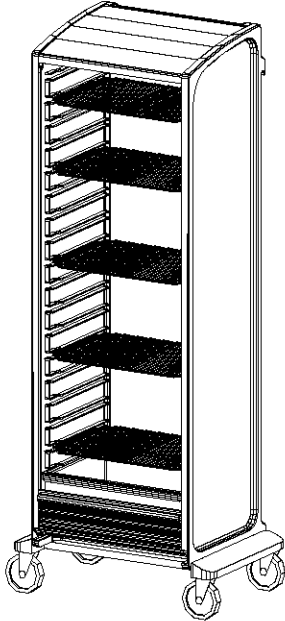
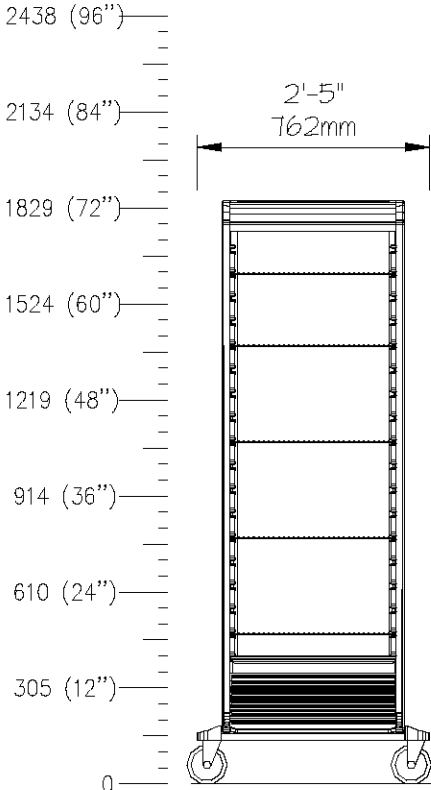


SCALE: 1/2"=1'-0"

<u>QTY</u>	<u>DESCRIPTION</u>
1	Transporter for Large Storage Container

E0927

SUPPLY LOCKER, WIRE SHELVES, MOBILE, 29x20

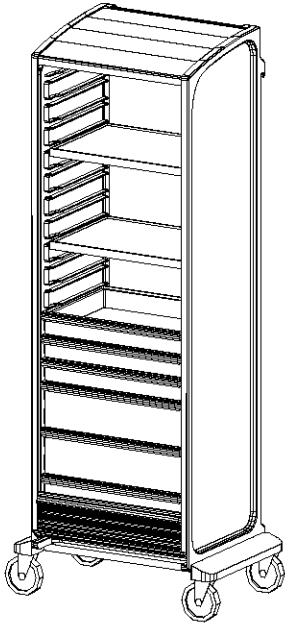
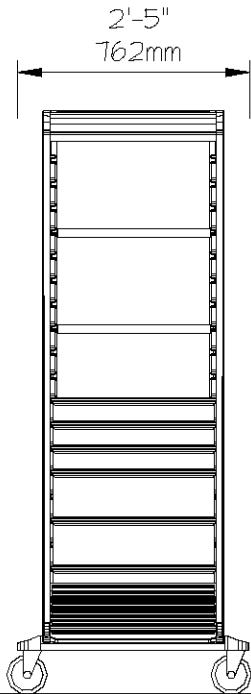
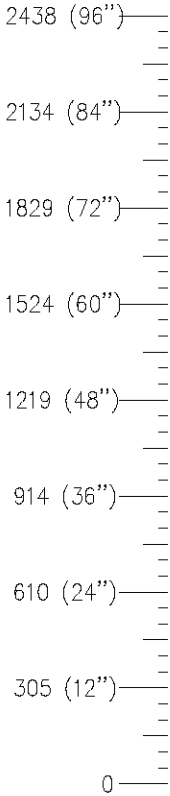


SCALE: 1/2"=1'-0"

<u>QTY</u>	<u>DESCRIPTION</u>
1	Mobile Supply Locker
1	Drawer, 6"H (152mm)
5	Wire Shelf

E0930

SUPPLY LOCKER, 6 DWRS, MOBILE, 29x20

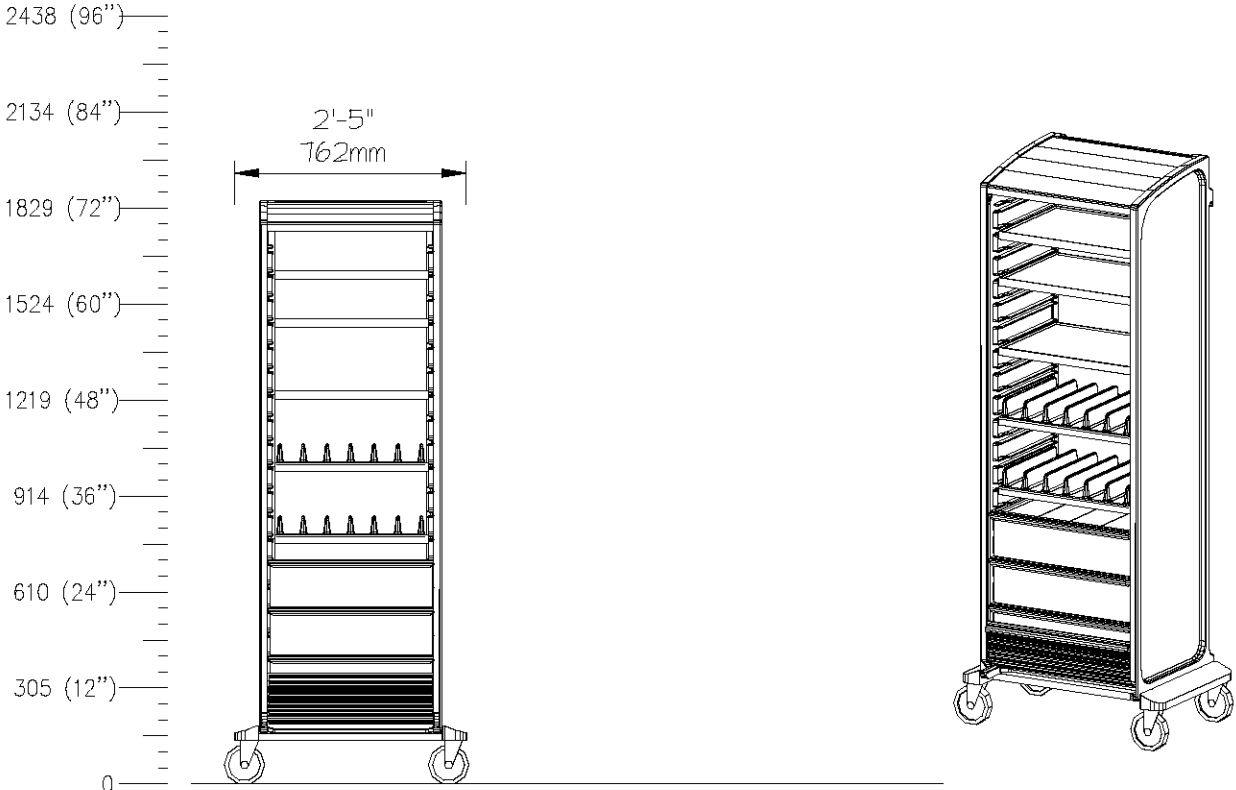


SCALE: 1/2"=1'-0"

QTY	DESCRIPTION
1	Mobile Supply Locker
2	Tray/Shelf
3	Drawer, 3"H (76mm)
3	Drawer, 6"H (152mm)
	Drawer Organizer Bins

E0933

SUPPLY LOCKER, SHELF & DWR, MOBILE, 29x20

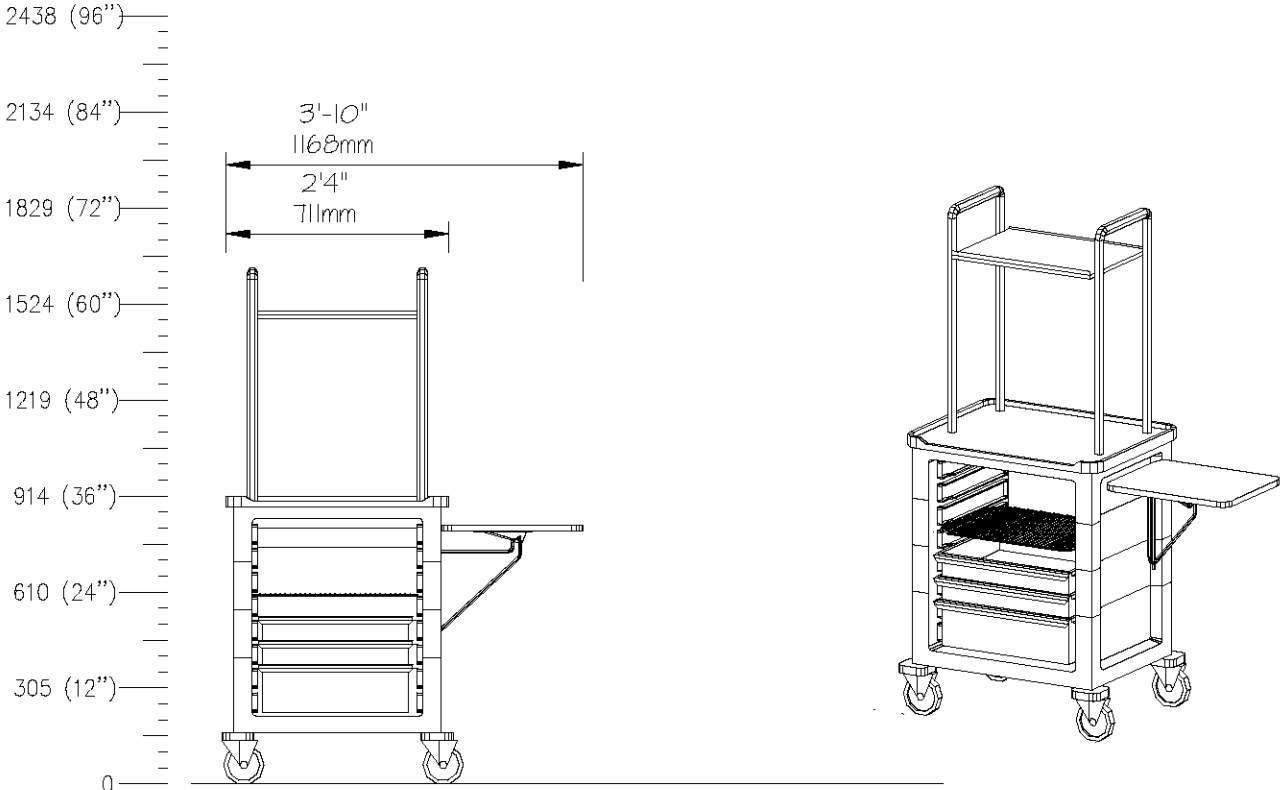


SCALE: 1/2"=1'-0"

<u>QTY</u>	<u>DESCRIPTION</u>
1	Mobile Supply Locker
3	Drawer, 6"H (152mm)
5	Tray/Shelf
5	Tray/Shelf Divider
	Drawer Organizer Bins

E0936

CART,MACHINE,MOBILE,26Hx22Dx32W

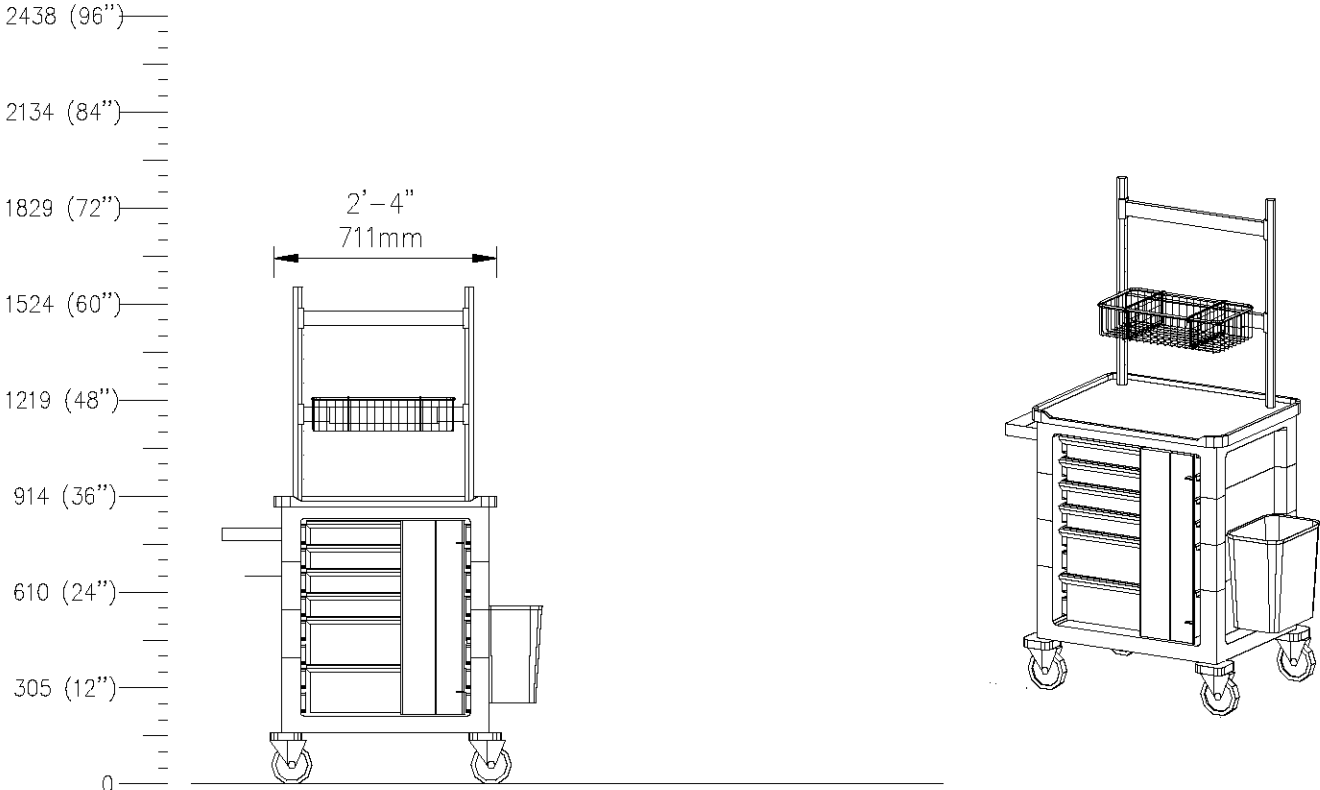


SCALE: 1/2"=1'-0"

QTY	DESCRIPTION
1	Cart Body, Style-A Narrow, w/Raised Edge Top
1	Accessory Rail, Side
1	Accessory Rail, Back
1	Above Cart Shelf
1	Electrical BOx-4 Outlet
1	Cord Wrap
1	Flip-up Shelf
1	Wire Shelf
2	Drawer, 3"H (76mm)
1	Drawer 6"H (152mm)
	Drawer Organizer Bins

E0939

CART, ANESTHESIA, MOBILE, 36Hx22Dx32W

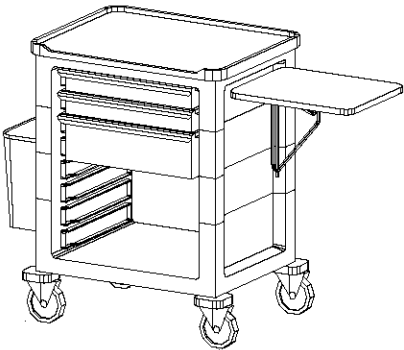
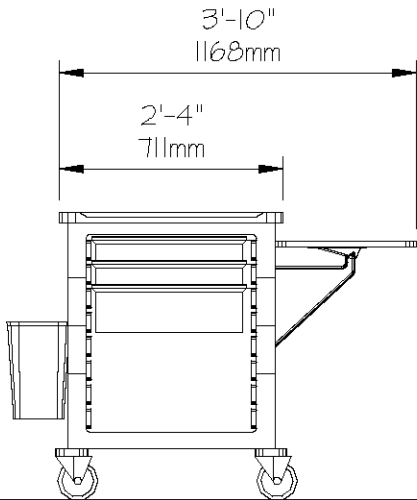
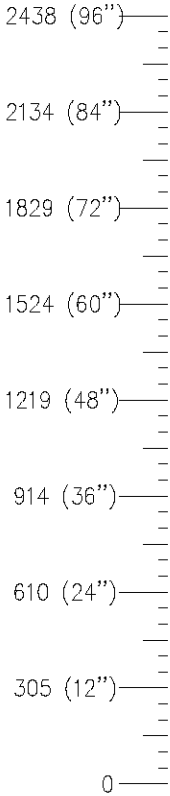


SCALE: 1/2"=1'-0"

<u>QTY</u>	<u>DESCRIPTION</u>
1	Cart Body, Style-A Narrow, w/Raised Edge Top and Right Side Lock Bar
2	Accessory Rail, Above Cart
2	Accessory Rail, Side
	Supply Baskets
1	Sharps Container Holder
4	Drawer, 3"H (76mm)
2	Drawer, 6"H (152mm)
	Rail Hung Storage Bins
	Drawer Organizer Bins

E0942

CART,CAST,MOBILE,36Hx22Dx32W

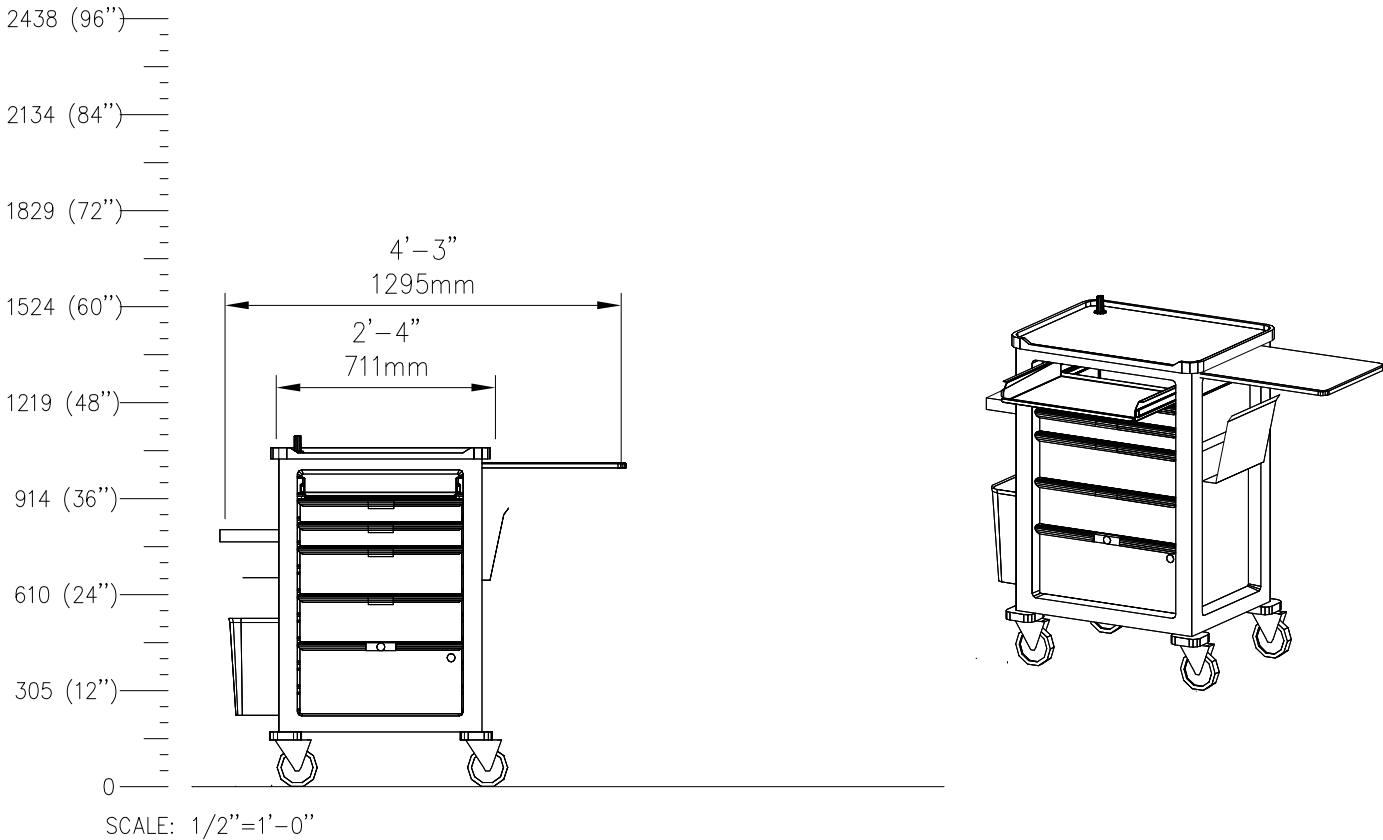


SCALE: 1/2"=1'-0"

QTY	DESCRIPTION
1	Cart Body, Style-A Narrow, w/Raised Edge Top
2	Drawer, 3"H (76mm)
1	Drawer, 6"H (152mm)
1	Wastebasket
1	Flip-up Shelf
1	Accessory Rail, Side
1	Drawer Organizer Bins

E0945

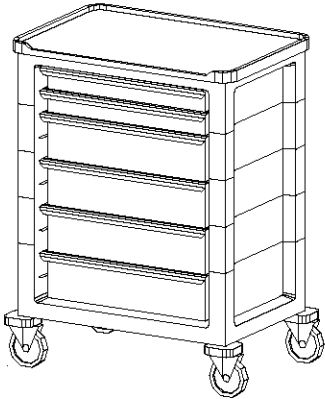
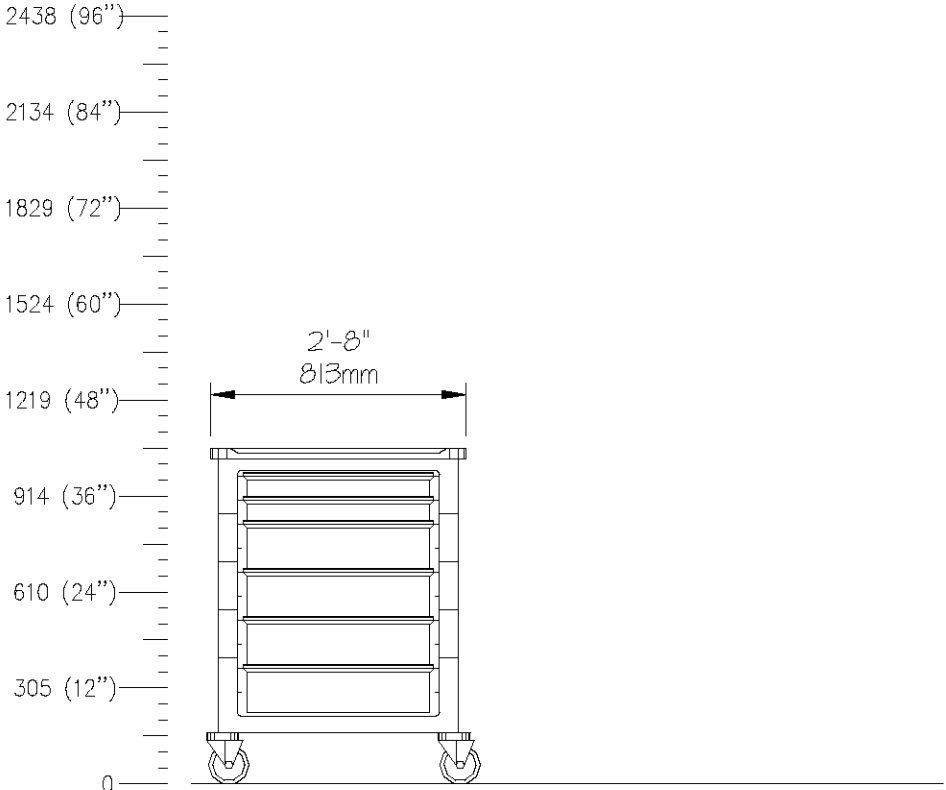
CART,COMPUTER,MOBILE,36Hx22Dx32W



<u>QTY</u>	<u>DESCRIPTION</u>
1	Cart Body, w/Computer Support, Style-A Narrow, w/Raised Edge Top
2	Drawer, 3"H (76mm)
2	Drawer, 6"H (152mm)
1	Wastebasket
1	Chart Holder
1	Sharps Container Holder
1	Flip-up Shelf
3	Accessory Rail, Side
	Drawer Organizer Bins

E0948

CART, GEN STORAGE, MOBILE, 42Hx22Dx32W

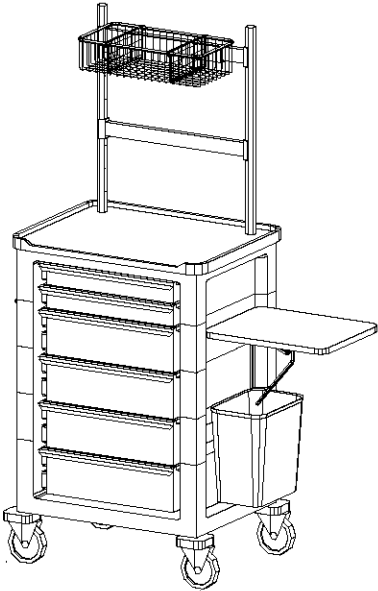
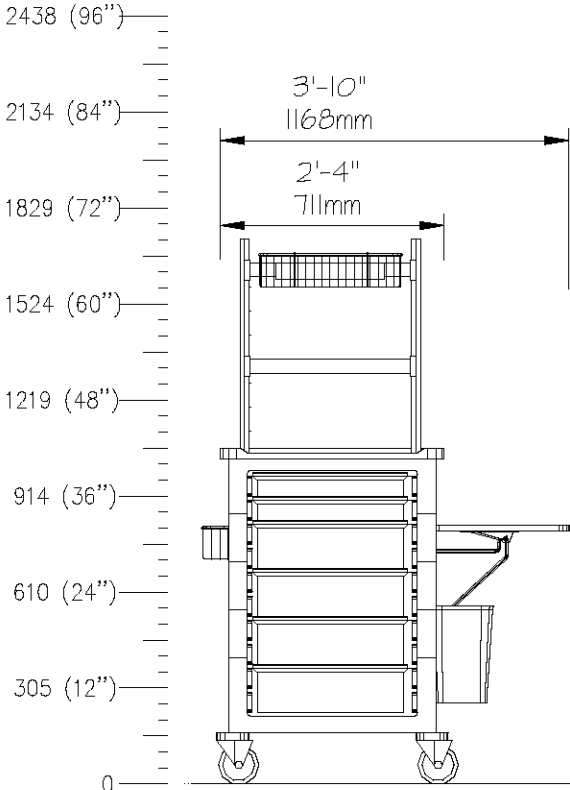


SCALE: 1/2"=1'-0"

QTY	DESCRIPTION
1	Cart Body, Style-B Narrow, w/Raised Edge Top
2	Drawer, 3"H (76mm)
4	Drawer, 6"H (152mm)
1	Accessory Rail, Side
	Drawer Organizer Bins

E0951

CART,PROC TRTMT,MOBILE,42Hx22Dx32W

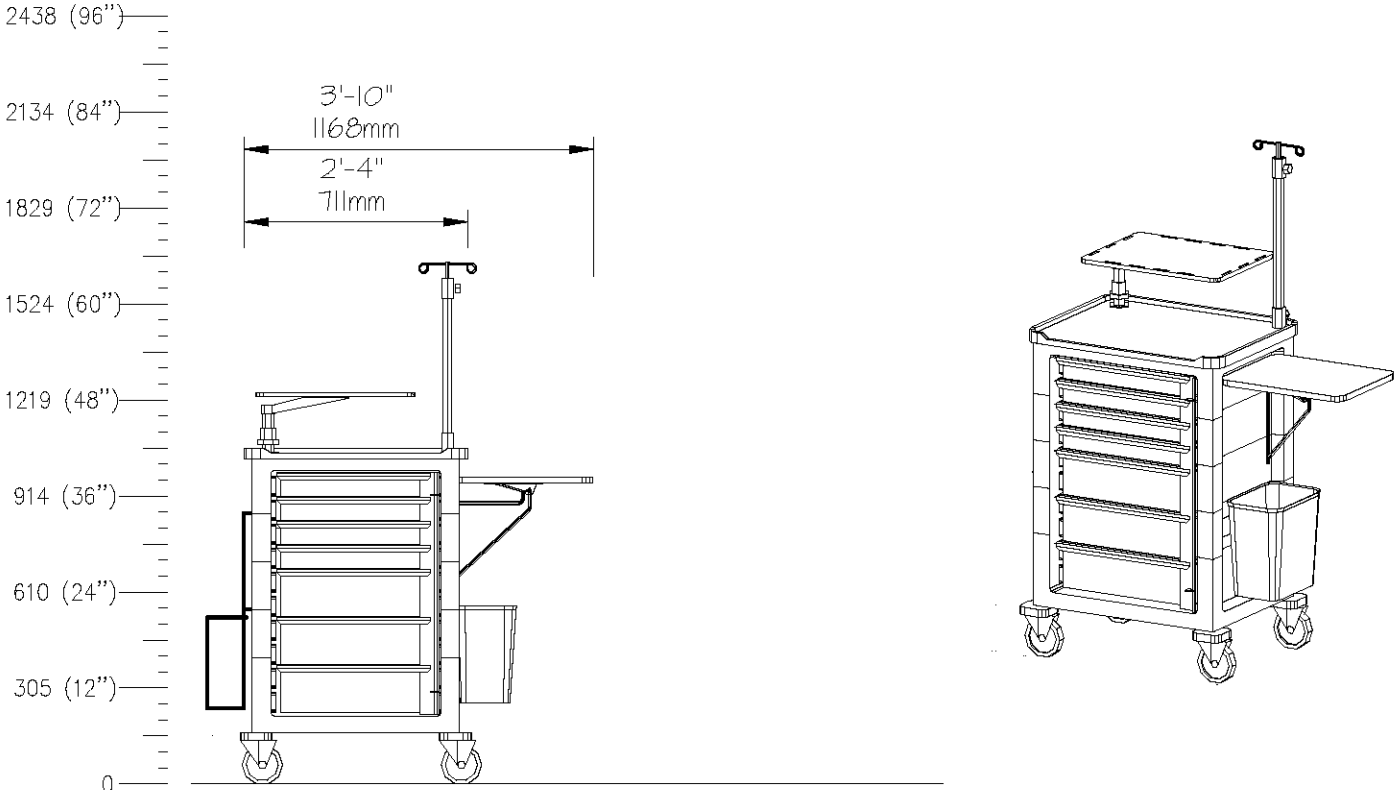


SCALE: 1/2"=1'-0"

QTY	DESCRIPTION
1	Cart Body, Style-A Narrow, w/Raised Edge Top
2	Drawer, 3"H (76mm)
4	Drawer, 6"H (152mm)
	Supply Baskets
1	Wastebasket
1	Flip-up Shelf
2	Accessory Rail, Side
2	Above Cart Rail
	Drawer Organizer Bins

E0954

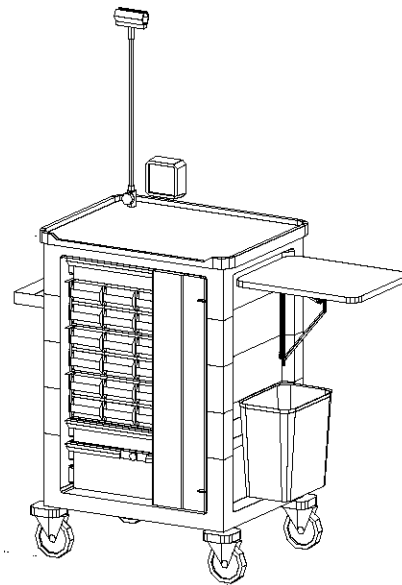
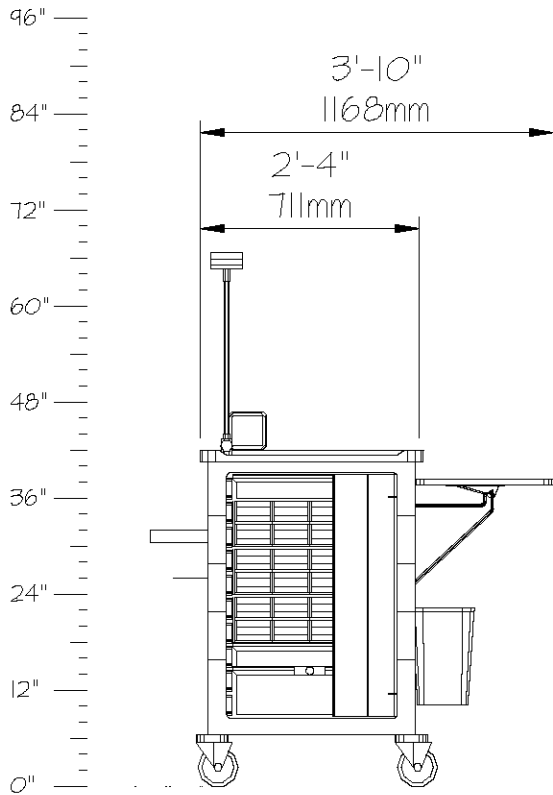
CART, EMERGENCY, MOBILE, 42Hx22Dx32W



SCALE: 1/2"=1'-0"

QTY	DESCRIPTION
1	Cart Body, Style-A Narrow, w/Raised Edge Top
4	Drawer, 3"H (76mm)
3	Drawer, 6"H (152mm)
1	Breakaway Bar
1	Wastebasket
1	Flip-up Shelf
1	Defibrillator Tray
1	IV Pole
1	Oxygen Tank Holder
1	Electrical Box-4 Outlet
1	Cord Wrap
1	Accessory Rail, Side
1	Accessory Rail, Back
1	Drawer Organizer Bins

TYPICAL: E0957
 DESCRIPTION: Cart, Medication, Mobile, 42H22D32W
 PROJECT: JSN TYPICALS
 DATE: 03/01/13

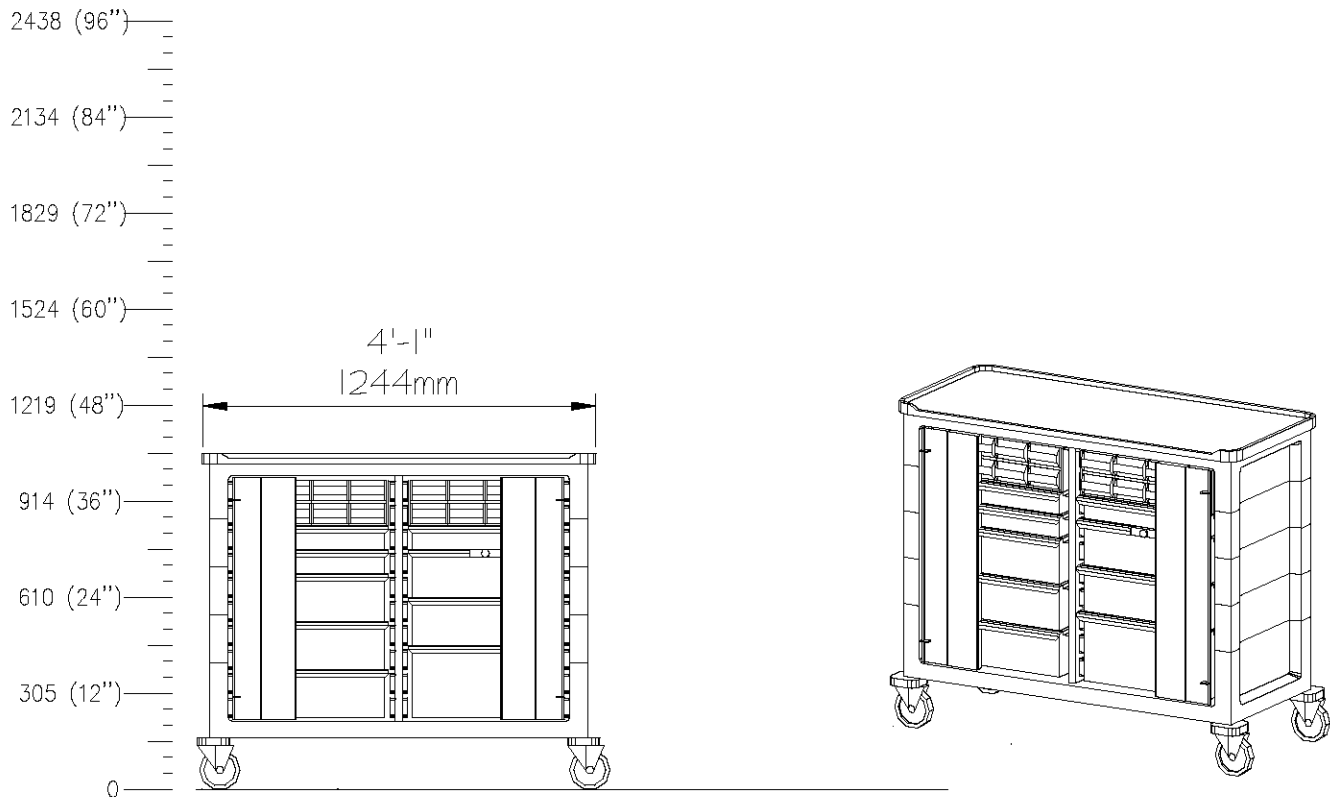


SCALE: 1/2"=1'-0"

Qty	Part Number	Part Description
1	CT342.60N	+Cart Body, Sr 20 Raised Edge Top 42H
2	CT501.03	+Drawer, 3H
1	CT504.01	+Full-Extension Drw Slide, Single-Wide Cart, Top Slot
1	CT505.06L	+Locked Drawer W/Lockable Lid, KD 6H
3	CT542.08	+Cassette, β -Bin, Sr 20 Cart
2	CT580.03	+Org Kit, Sr 20, 4 a-3 sub, 6 a-3 Div 3H
1	CT708.	+Wall Lock Sr 20/24
1	CT710.42RK	+Lock Bar, Keyed Entry, 42H Cart, Rt Side Lock, Keyed Alike
1	CT728.	+Wastebasket 12-1/2H 11-1/2W
1	CT734.01	+Holder, Sharps Container
1	CT751.R5	+Flip-Up Shelf, Beltline, Mounted Right
1	CT775.	+Flashlight Holder 25H
1	CT782.15L4	+Rail, Mounted Accy, Left Side Sect 4 15W
1	CT782.15R2	+Rail, Mounted Accy, Right Side Sect 2 15W

E0960

CART, LOCKABLE, MOBILE, 42Hx22Dx49W

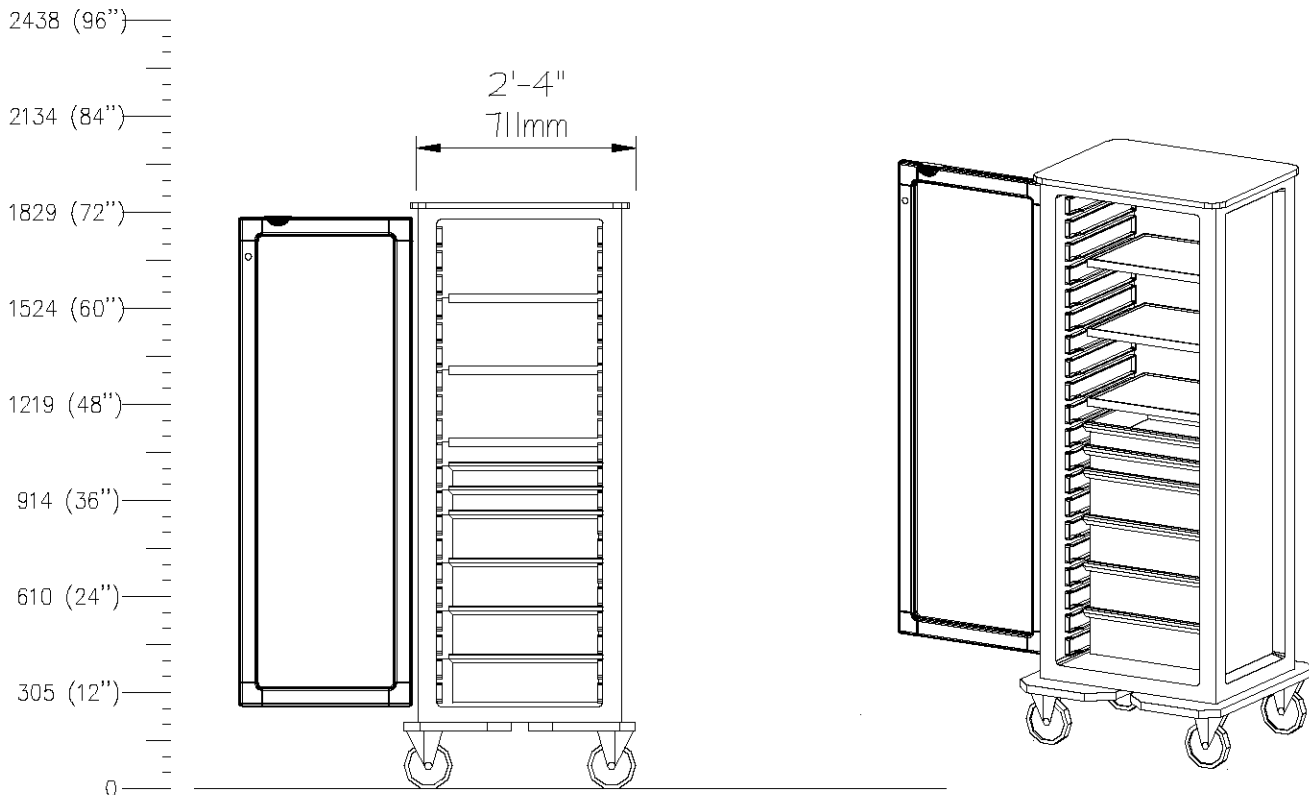


SCALE: 1/2"=1'-0"

QTY	DESCRIPTION
1	Cart Body, Style-A Wide, w/Full Spine and Breakaway Bars w/Tabs
3	Drawer, 3"H (76mm)
4	Drawer, 6"H (152mm)
1	Locked Drawer, 6"H (152mm) w/Lockable Lid
1	Drawer, 9"H (229mm)
2	8-Bin Cassette Assembly Drawer Organizer Bins

E0963

CART, GEN STORAGE, MOBILE, 72Hx22Dx28W

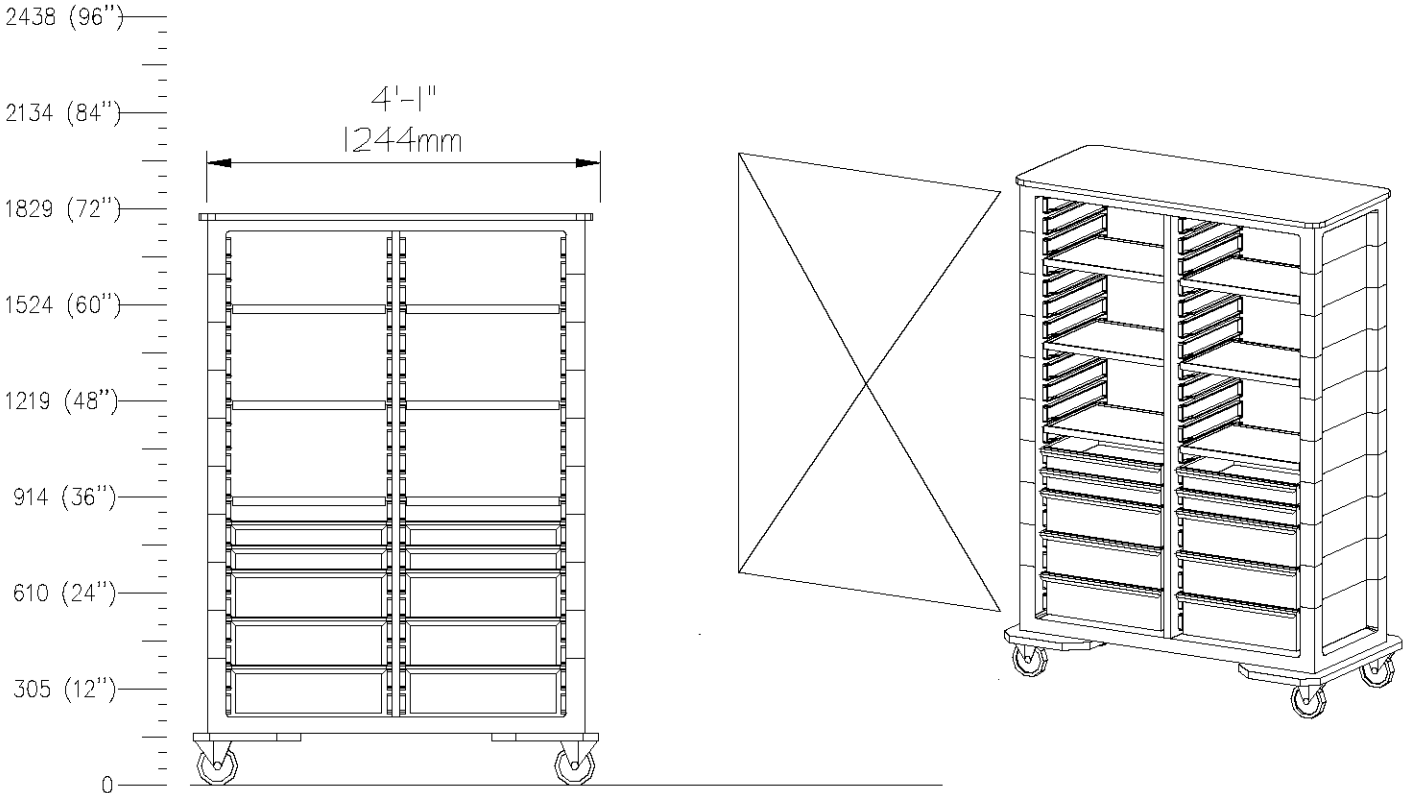


SCALE: 1/2"=1'-0"

<u>QTY</u>	<u>DESCRIPTION</u>
1	Locker Storage Container on Wheels, w/Solid Door
2	Drawer, 3"H (76mm)
4	Drawer, 6"H (152mm)
3	Tray/Shelf
1	Tray/Shelf Divider
	Drawer Organizer Bins

E0966

CART,DBL STORAGE,MOBILE,72Hx22Dx50W

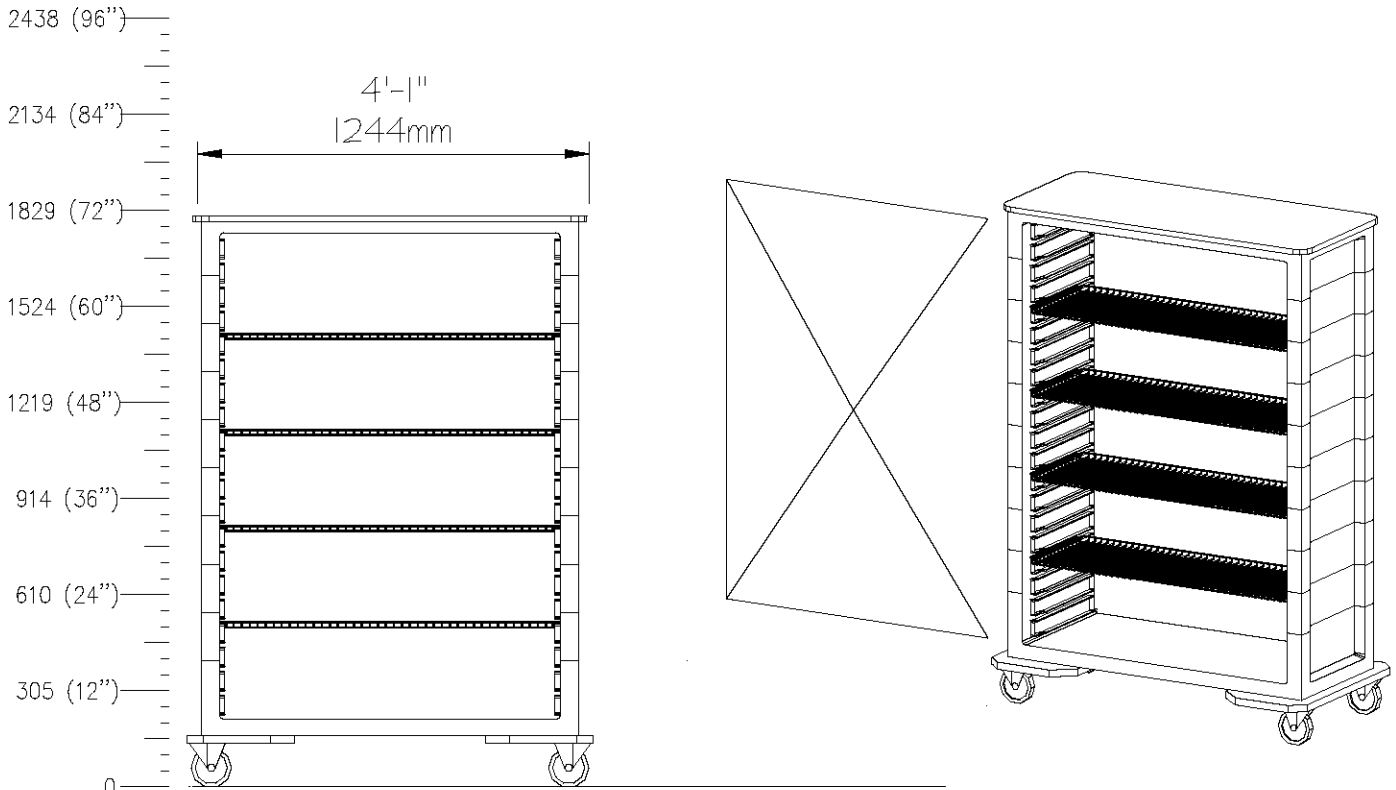


SCALE: 1/2"=1'-0"

QTY	DESCRIPTION
1	Cart Body, Style-A Wide, w/Full Spine
4	Drawer, 3"H (76mm)
6	Drawer, 6"H (152mm)
6	Tray/Shelf
1	Curtain, Double Wide
	Drawer Organizer Bins

E0969

CART,BULK SUPPLY,MOBILE,72Wx22Dx50W

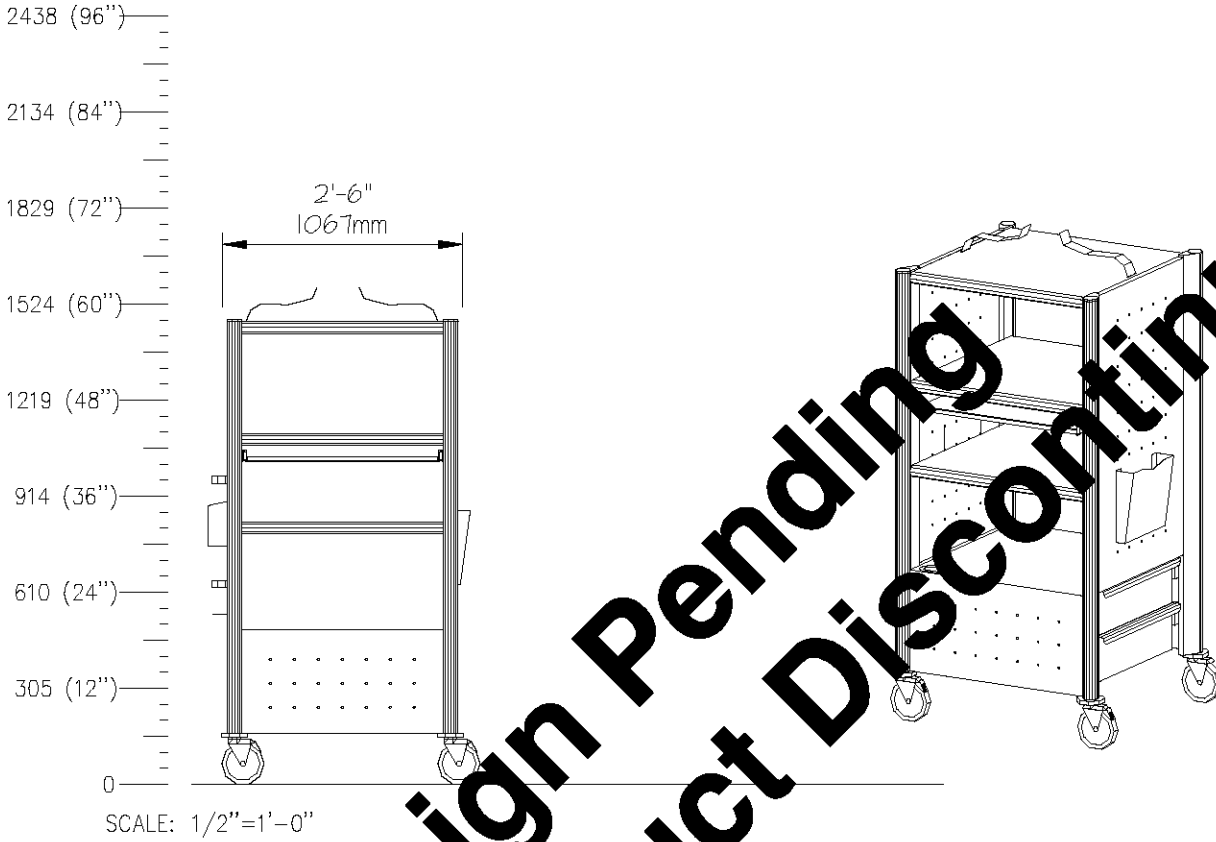


SCALE: 1/2"=1'-0"

QTY	DESCRIPTION
1	Cart Body, Style-A Wide, w/o Spine
4	Wire Shelf
1	Cart Cover

E0972

CART,ENDOSCOPY,MOBILE,58H26D30W



SCALE: 1/2"=1'-0"

QTY

DESCRIPTION

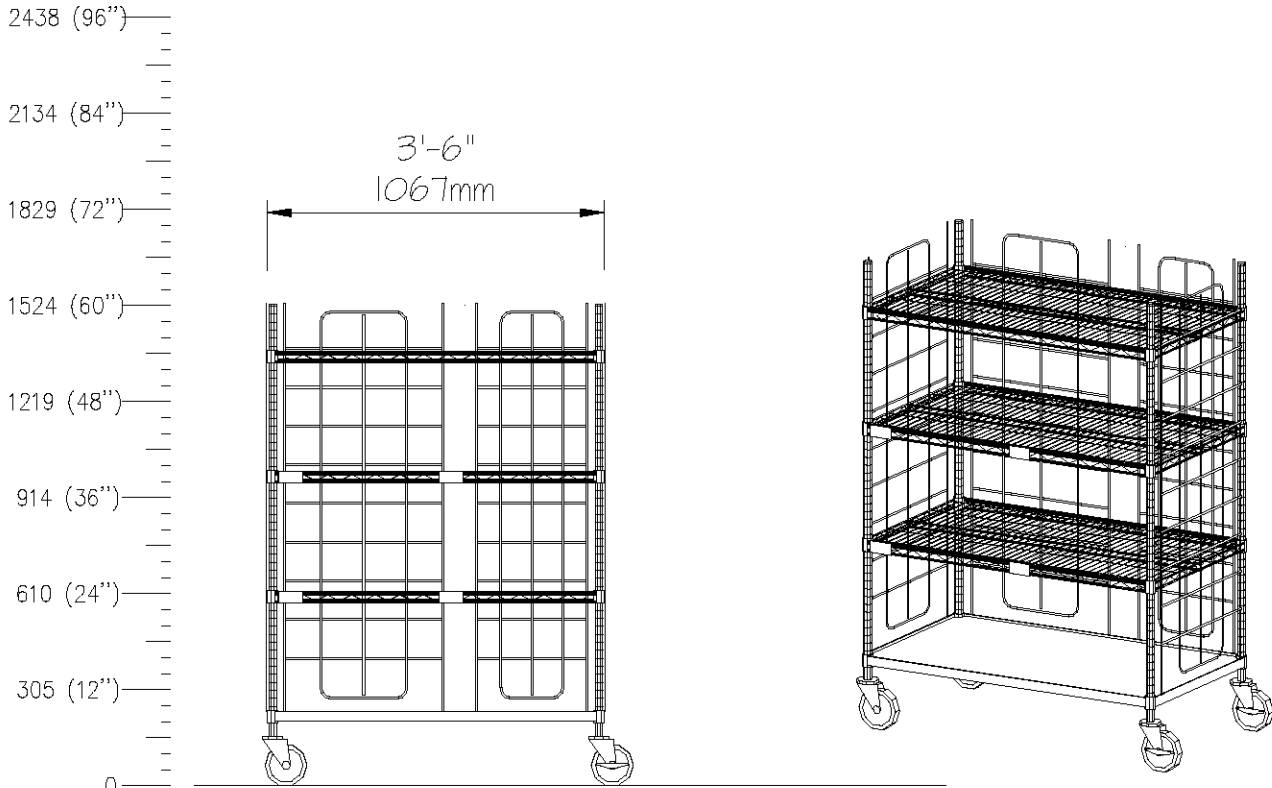
1

Endoscopy, Endo Procedure, Mobile
Includes: Keyboard Tray, 2 6"H (152mm) Drawers, Cable Manager,
Cold Wrap Outlet Strip, Access Bin, Vertical Storage File

**Redesign Pending
Current Product Discontinued**

E0975

CART, WIRE, MOBILE, 62H24D42W

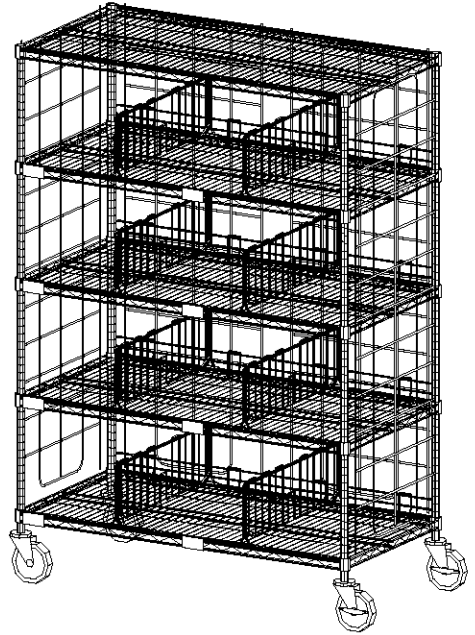
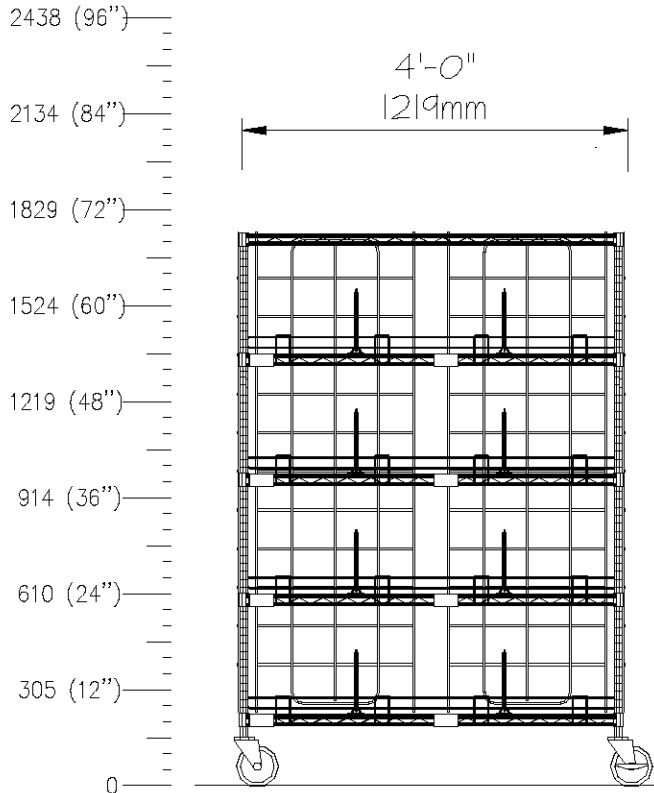


SCALE: 1/2"=1'-0"

QTY	DESCRIPTION
1	Wire Cart. w/Casters
3	Wire Shelf
1	Stainless Steel Shelf
1	Wire Side/Back Panels

E0978

CART, WIRE, MOBILE, 72H24D48W

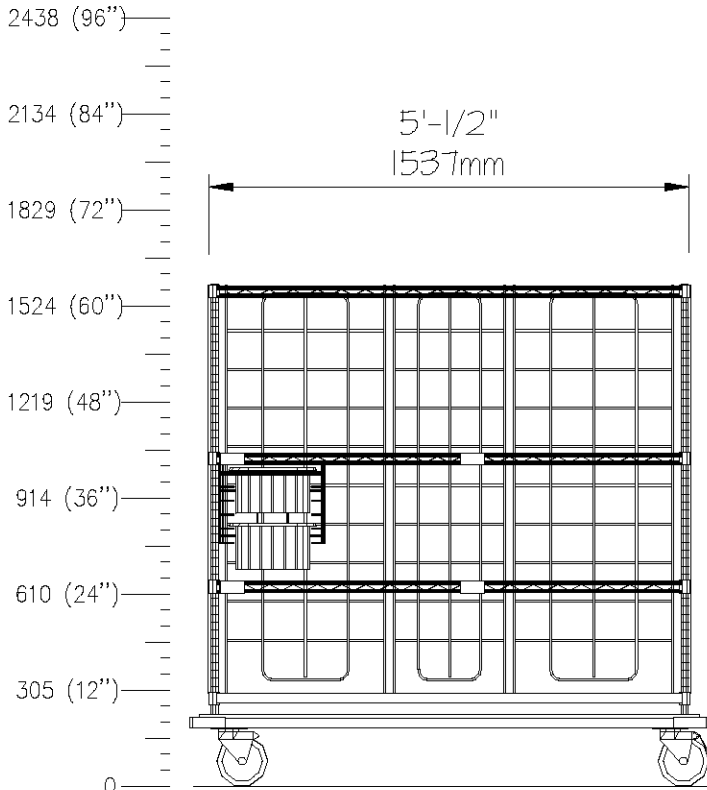


SCALE: 1/2"=1'-0"

<u>QTY</u>	<u>DESCRIPTION</u>
1	Wire Cart, w/Casters
5	Wire Shelf w/Fences and Dividers
4	Vertical Back/Side Panel
1	Cart Cover
1	Label Clips

E0981

CART,MOBILE,WIRE,64H24D60W

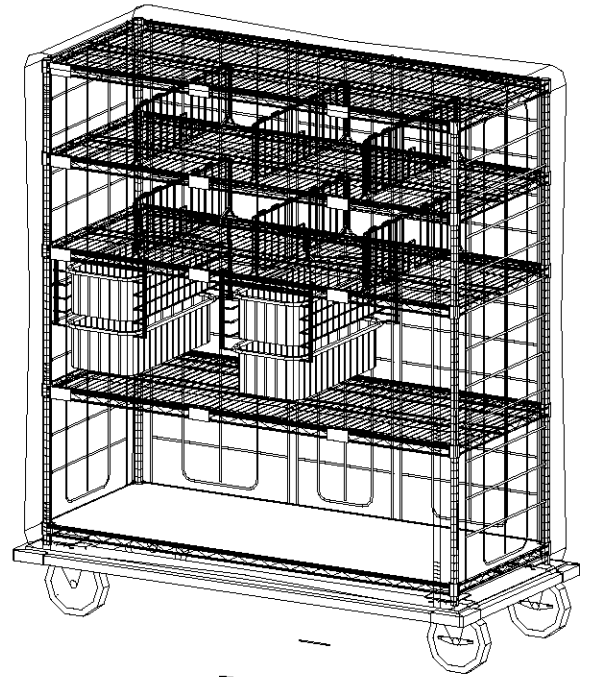
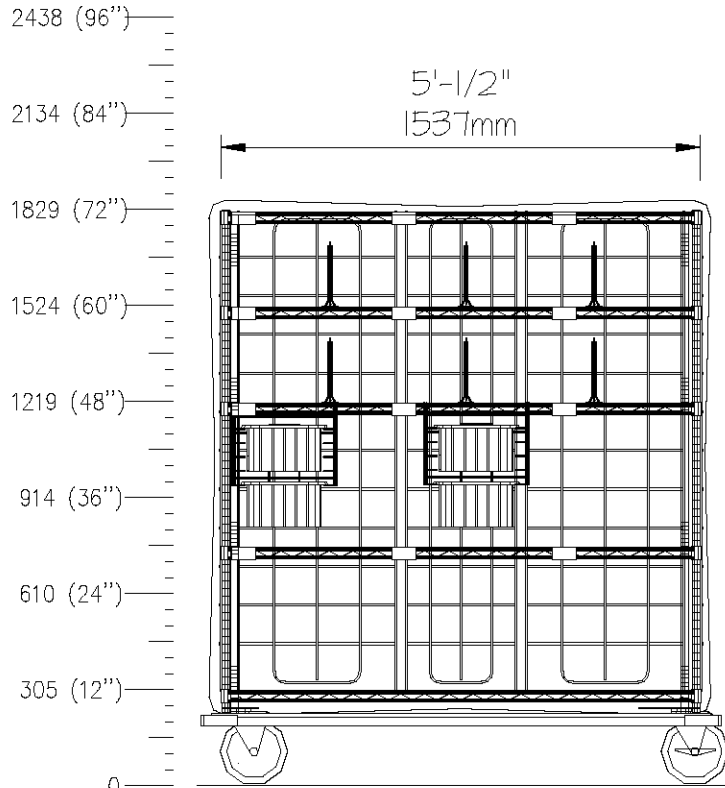


SCALE: 1/2"=1'-0"

QTY	DESCRIPTION
1	Wire Cart, w/Casters
3	Wire Shelf
5	Vertical Back/Side Panel
1	Stainless Steel Shelf
1	Storage Frame
2	Drawer, 6"H (152mm)
	Label Clips

E0984

CART, WIRE, MOBILE, 72H24D60W

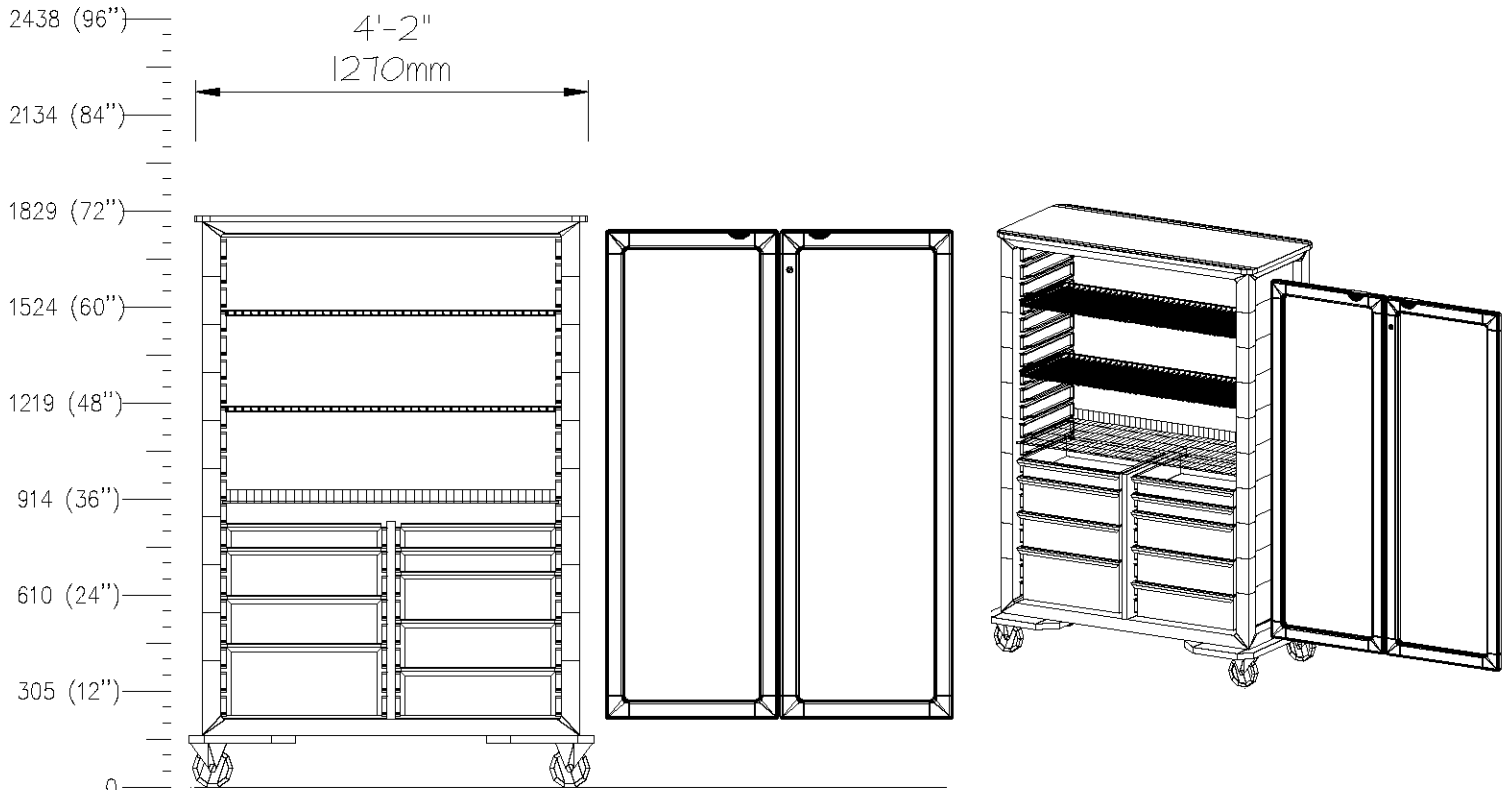


SCALE: 1/2"=1'-0"

QTY	DESCRIPTION
1	Wire Cart, w/Casters
5	Wire Shelf w/Dividers
5	Vertical Back/Side Panel
2	Storage Frame
4	Drawer, 6"H (152mm)
1	Cart Cover
	Label Clips
	Drawer Dividers

E0987

Cart, Closed, w/Totes, Mobile, w/Lock 72H22D48W

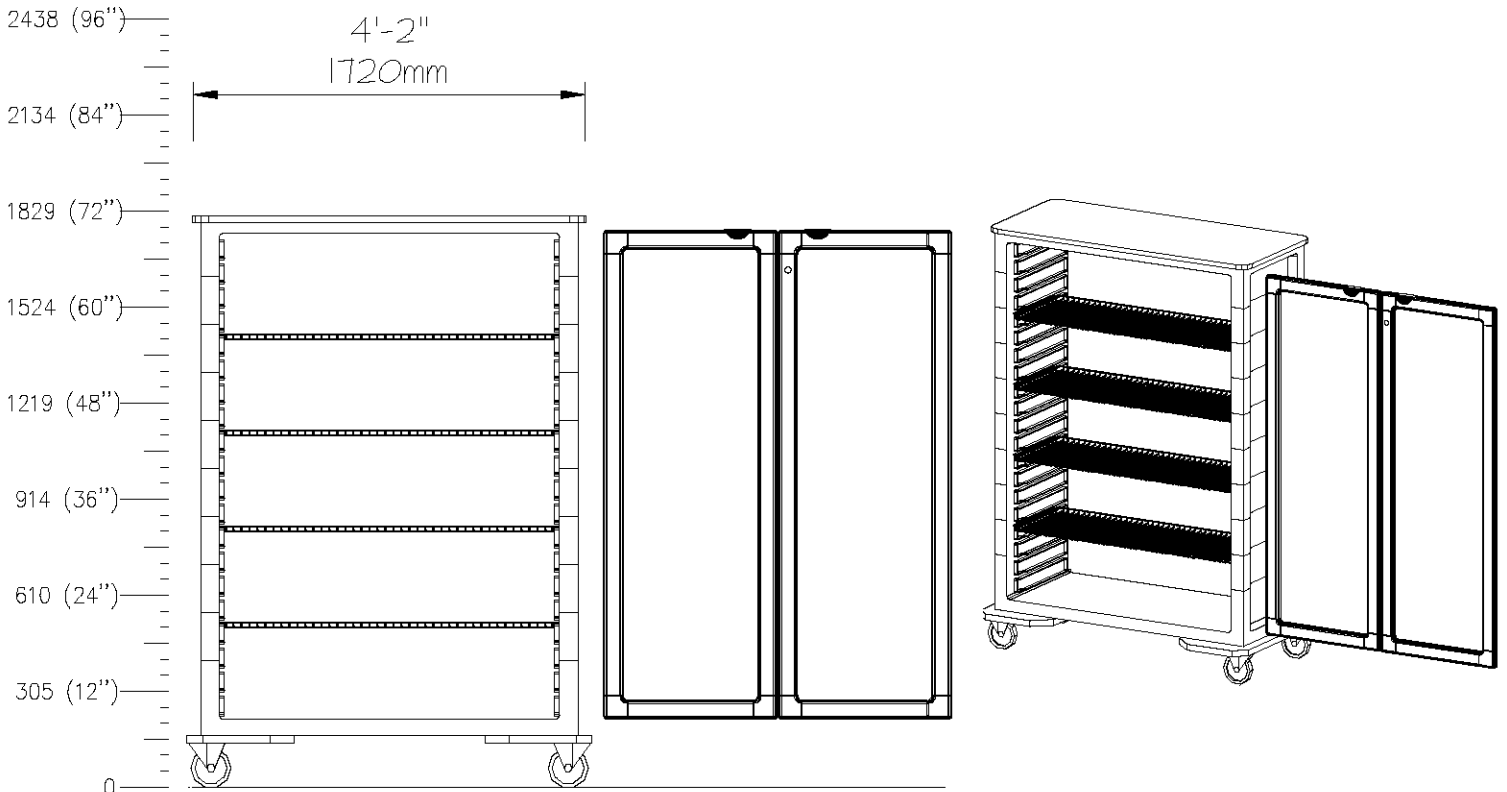


SCALE: 1/2"=1'-0"

QTY	DESCRIPTION
1	Cart Body, Style A-Wide, w/Half Spine
3	Drawer, 3"H (76mm)
5	Drawer, 6"H (152mm)
1	Drawer, 9"H (229mm)
3	Wire Shelf w/Dividers
1	Cart Door, Solid
	Drawer Organizer Bins

E0990

Cart,Closed,w/Wire Shelves,Mobile,w/Lock 72H22D48W



QTY	DESCRIPTION
1	Cart Body, Style A-Wide, w/o Spine
4	Wire Shelf w/Dividers
1	Cart Door, Solid