



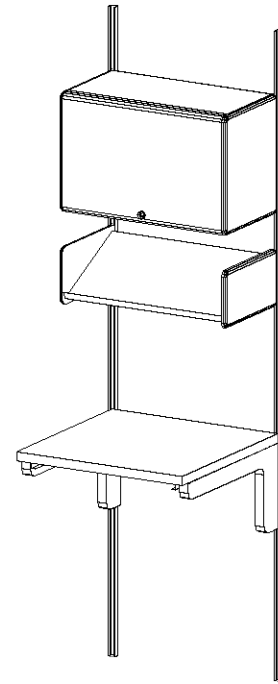
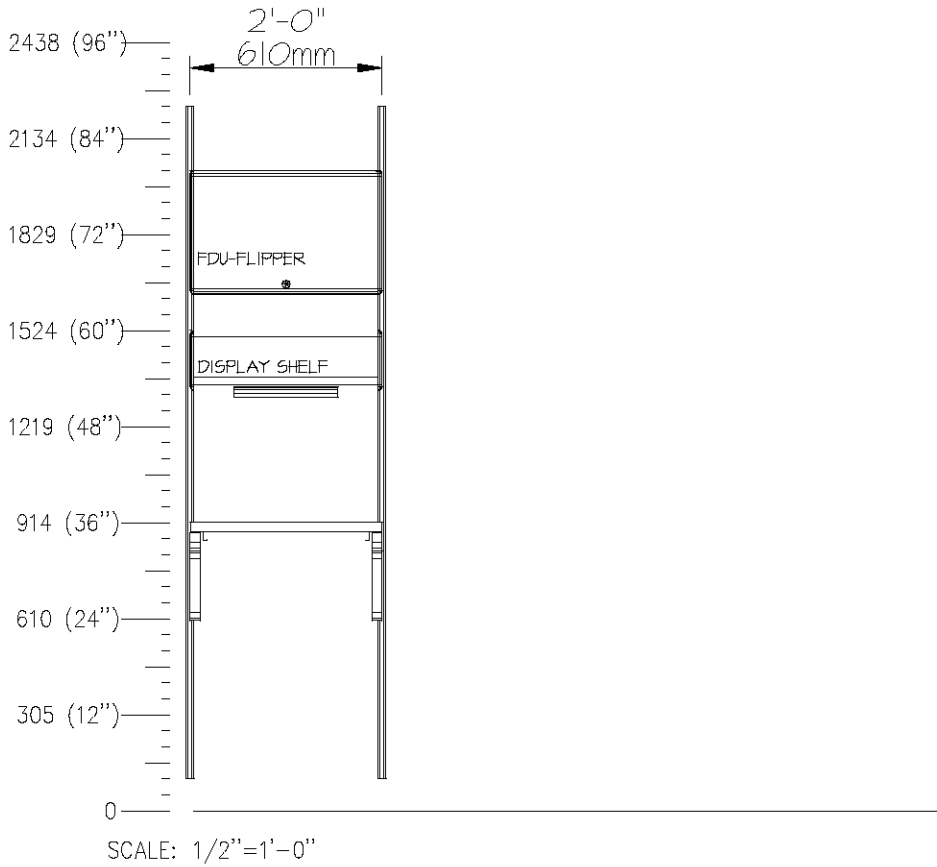
DEPARTMENT OF DEFENSE (DOD)

Joint Schedule Numbers (JSNs)

JUNE 2018

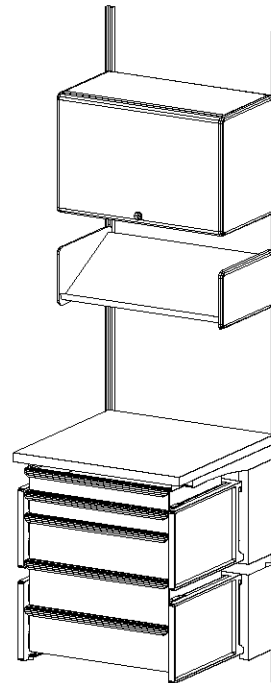
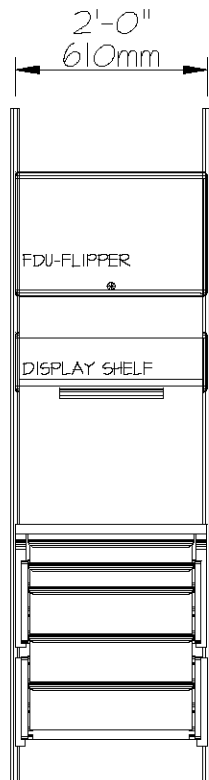
E0202

WORKCOUNTER,O/H CAB,WALL MTD,24



QTY	DESCRIPTION
2	Vertical Hanging Strips
1	Lockable Flipper Unit
1	Shelf, Storage/Display
1	Light
1	Cantilevered Work Surface

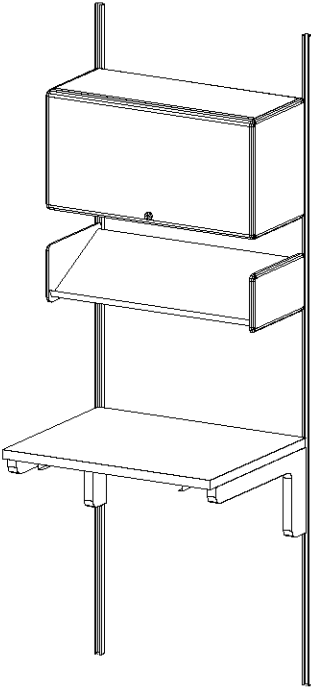
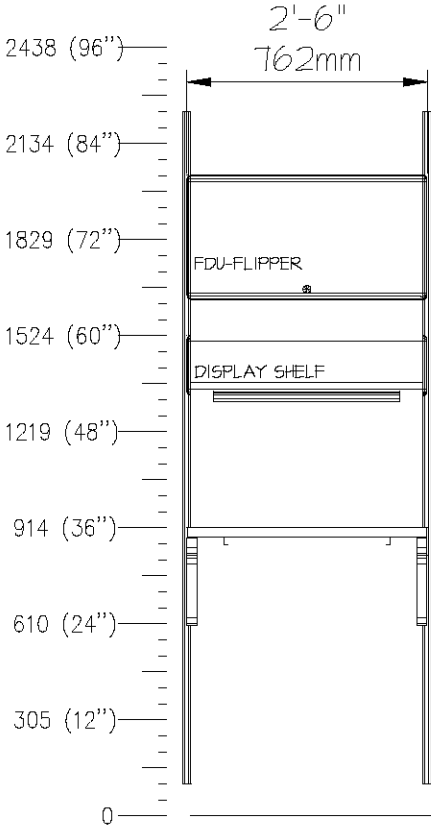
WORKCOUNTER, O/H CAB & DWRS, WALL MTD, 24



<u>QTY</u>	<u>DESCRIPTION</u>
2	Vertical Hanging Strips
1	Lockable Flipper Unit
1	Shelf, Storage/Display
1	Light
1	Cantilevered Work Surface
2	Storage Frame
2	Drawer, 3"H (76mm)
3	Drawer, 6"H (152mm)

E0206

WORKCOUNTER, O/H CAB, WALL MTD, 30

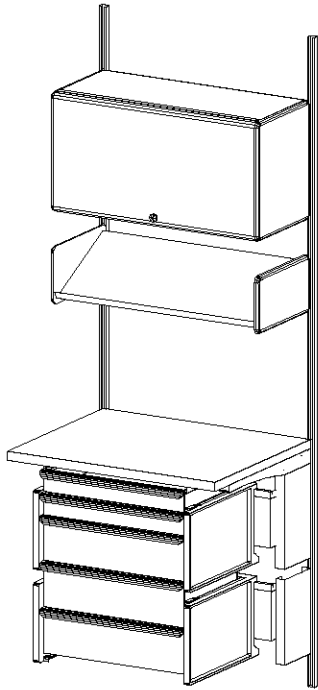
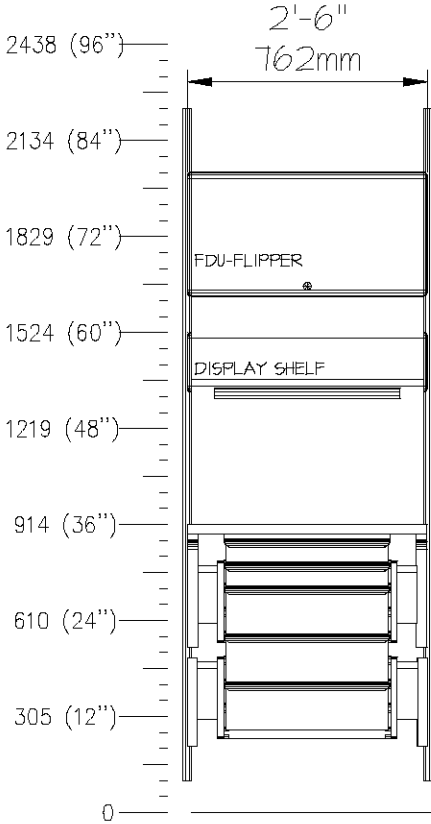


SCALE: 1/2"=1'-0"

QTY	DESCRIPTION
2	Vertical Hanging Strips
1	Lockable Flipper Unit
1	Shelf, Storage/Display
1	Light
1	Cantilevered Work Surface

E0208

WORKCOUNTER, O/H CAB & DWRS, WALL MTD, 30

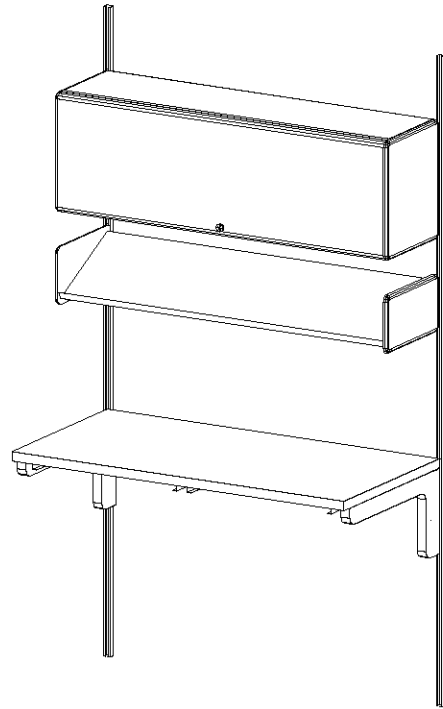
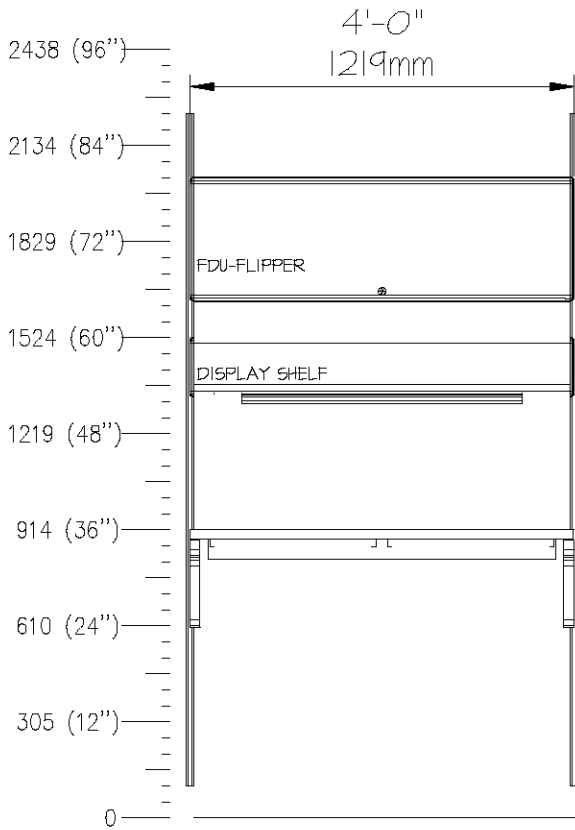


SCALE: 1/2"=1'-0"

QTY	DESCRIPTION
2	Vertical Hanging Strips
1	Lockable Flipper Unit
1	Shelf, Storage/Display
1	Light
1	Cantilevered Work Surface
2	Storage Frame
2	Drawer, 3"H (76mm)
3	Drawer, 6"H (152mm)

E0210

WORKCOUNTER,O/H CAB,WALL MTD,48

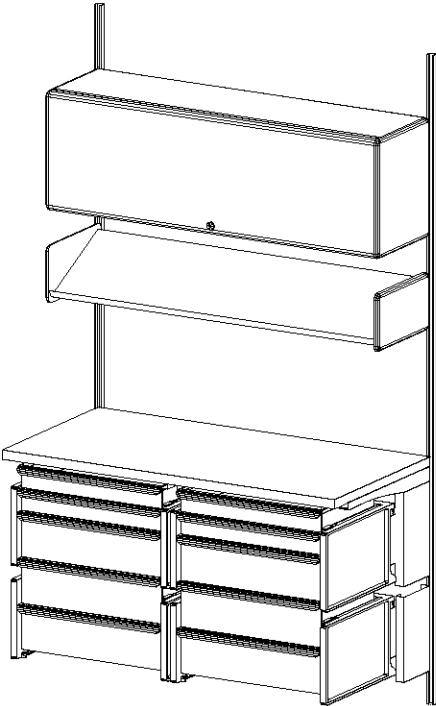
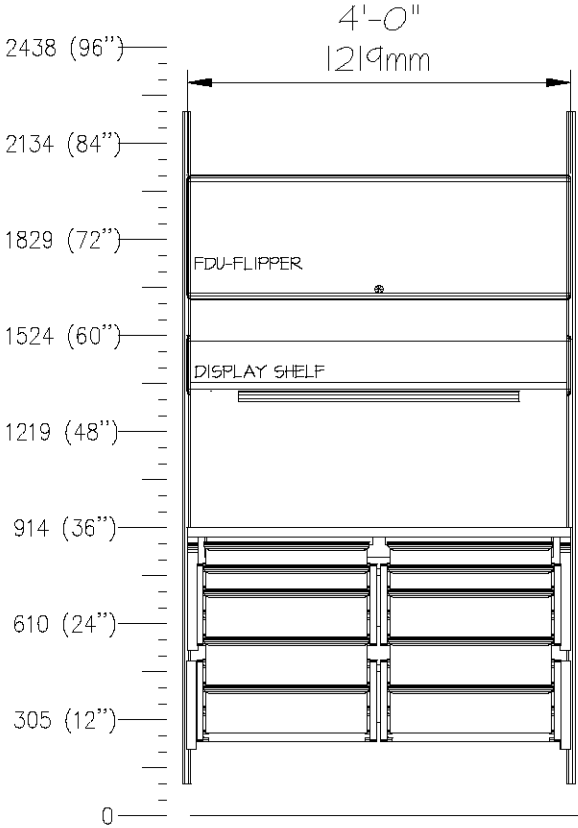


SCALE: 1/2"=1'-0"

QTY	DESCRIPTION
2	Vertical Hanging Strips
1	Lockable Flipper Unit
1	Shelf, Storage/Display
1	Light
1	Cantilevered Work Surface

E0212

WORKCOUNTER, O/H CAB & DWRS, WALL MTD, 48

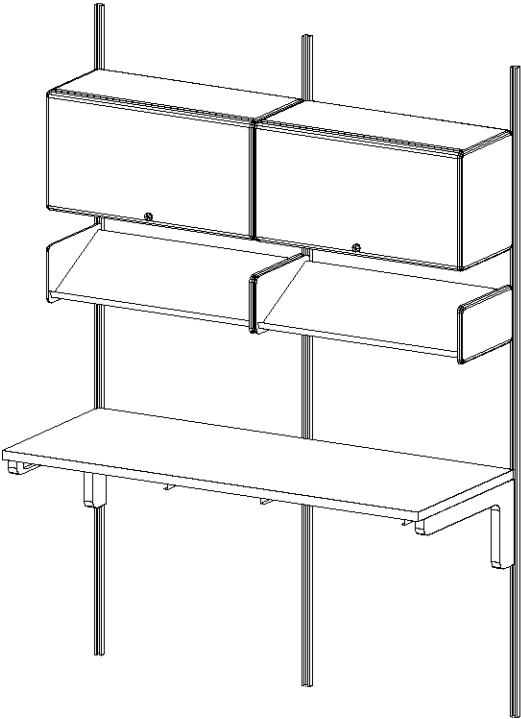
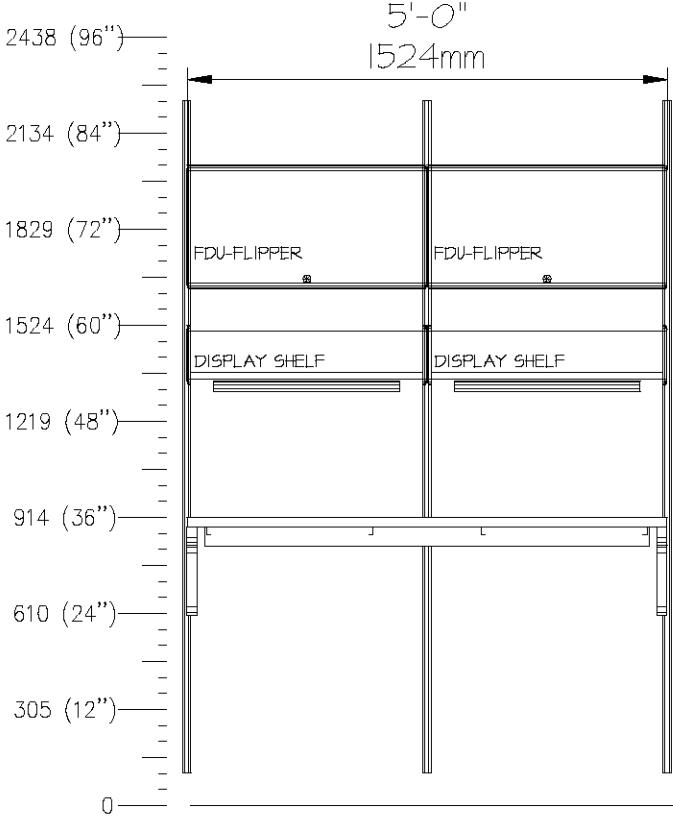


SCALE: 1/2"=1'-0"

QTY	DESCRIPTION
2	Vertical Hanging Strips
1	Lockable Flipper Unit
1	Shelf, Storage/Display
1	Light
1	Cantilevered Work Surface
4	Storage Frame
4	Drawer, 3"H (76mm)
6	Drawer, 6"H (152mm)

E0214

WORKCOUNTER,O/H CAB,WALL MTD,60

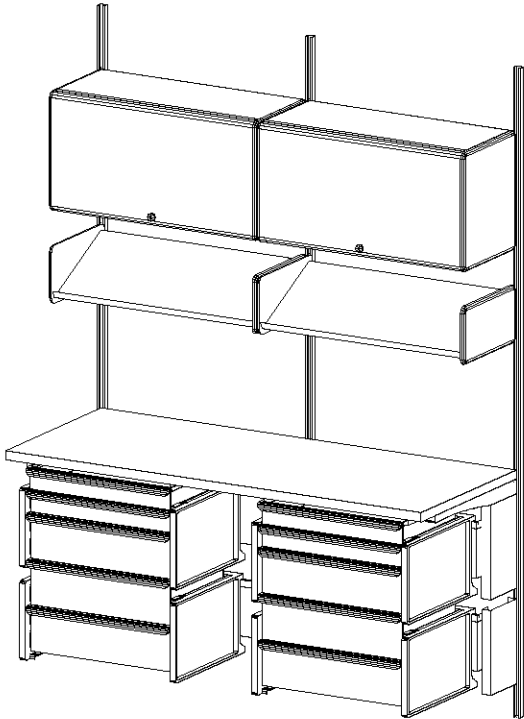
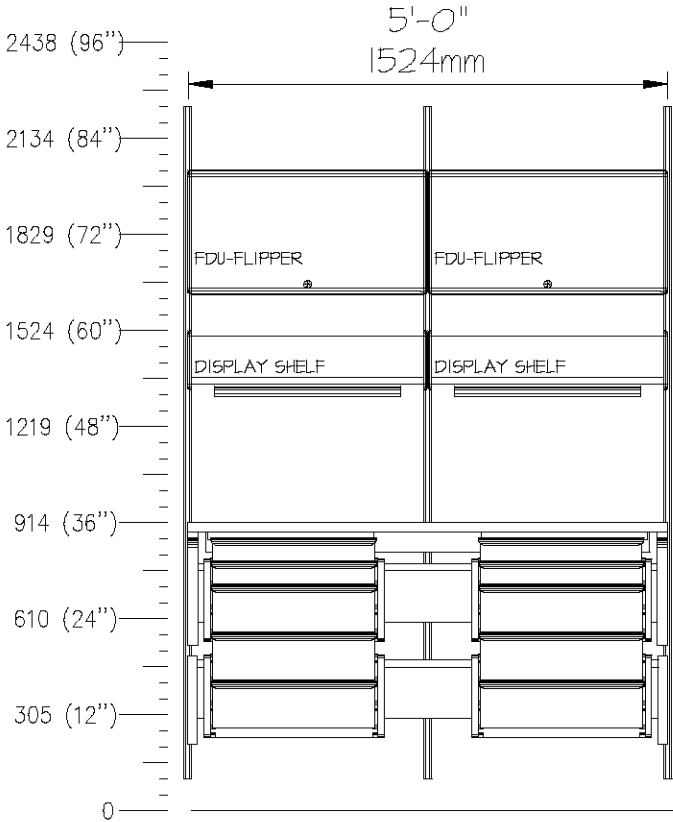


SCALE: 1/2"=1'-0"

QTY	DESCRIPTION
3	Vertical Hanging Strips
2	Lockable Flipper Unit
2	Shelf, Storage/Display
2	Light
1	Cantilevered Work Surface

E0216

WORKCOUNTER, O/H CAB & DWRS, WALL MTD, 60

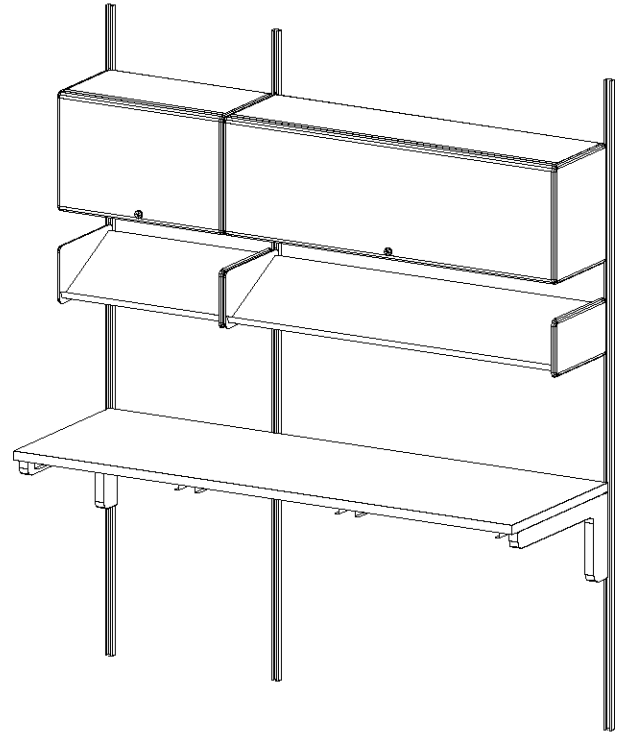
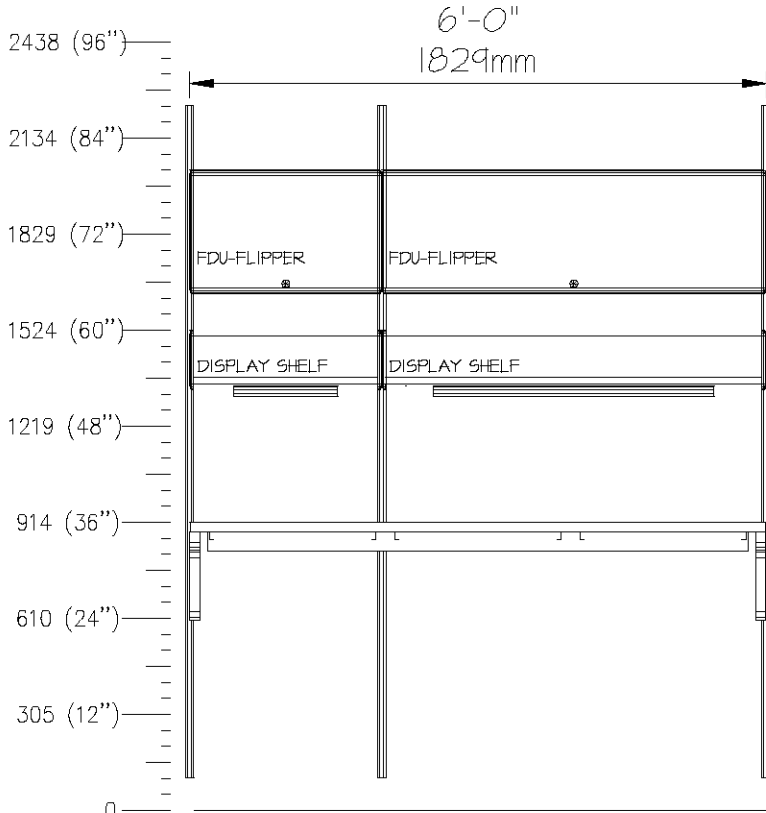


SCALE: 1/2"=1'-0"

QTY	DESCRIPTION
3	Vertical Hanging Strips
2	Lockable Flipper Unit
2	Shelf, Storage/Display
2	Light
1	Cantilevered Work Surface
4	Storage Frame
4	Drawer, 3"H (76mm)
6	Drawer, 6"H (152mm)

E0218

WORKCOUNTER, O/H CAB, WALL MTD, 72

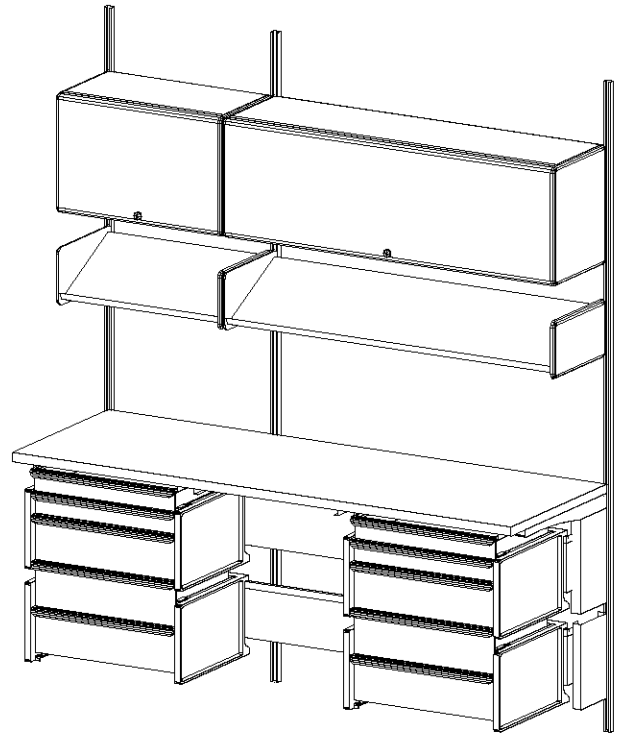
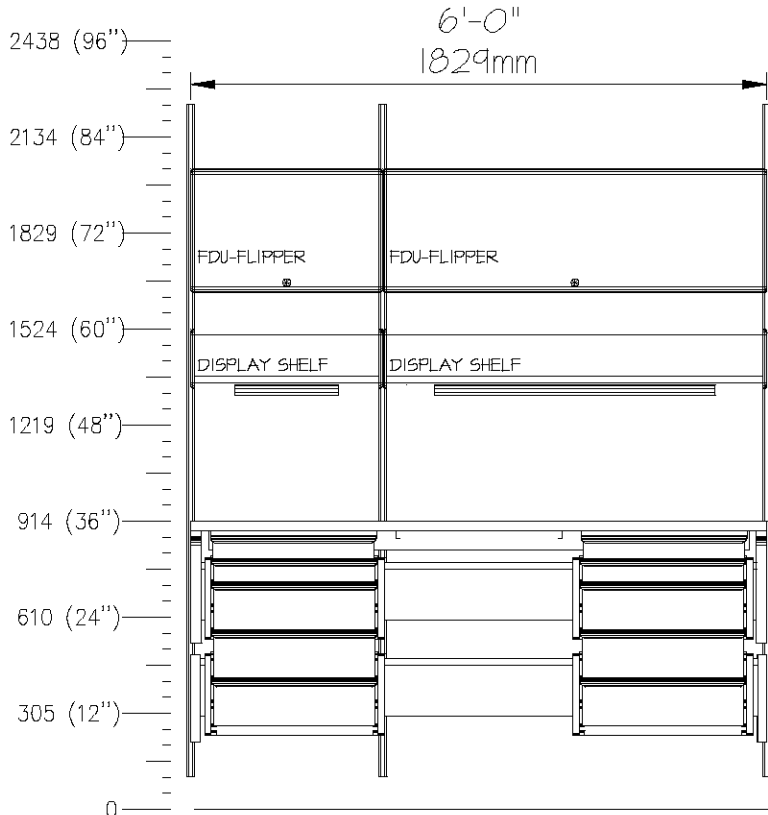


SCALE: 1/2"=1'-0"

QTY	DESCRIPTION
3	Vertical Hanging Strips
2	Lockable Flipper Unit
2	Shelf, Storage/Display
2	Light
1	Cantilevered Work Surface

E0220

WORKCOUNTER, O/H CAB & DWRS, WALL MTD, 72

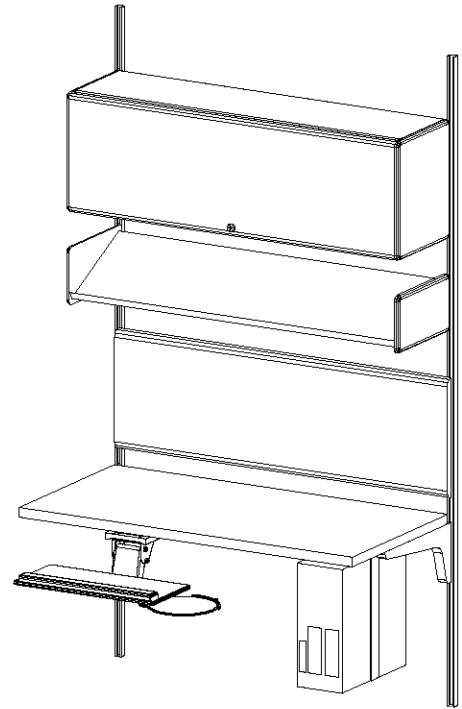
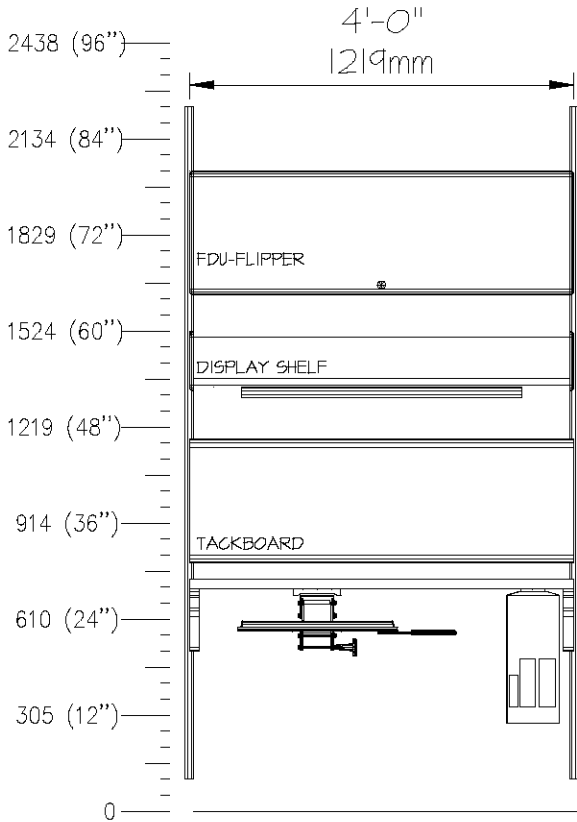


SCALE: 1/2"=1'-0"

QTY	DESCRIPTION
3	Vertical Hanging Strips
2	Lockable Flipper Unit
2	Shelf, Storage/Display
2	Light
1	Cantilevered Work Surface
4	Storage Frame
4	Drawer, 3"H (76mm)
6	Drawer, 6"H (152mm)

E0222

WORKCOUNTER, O/H CAB COMPUTER, WALL MTD, 48

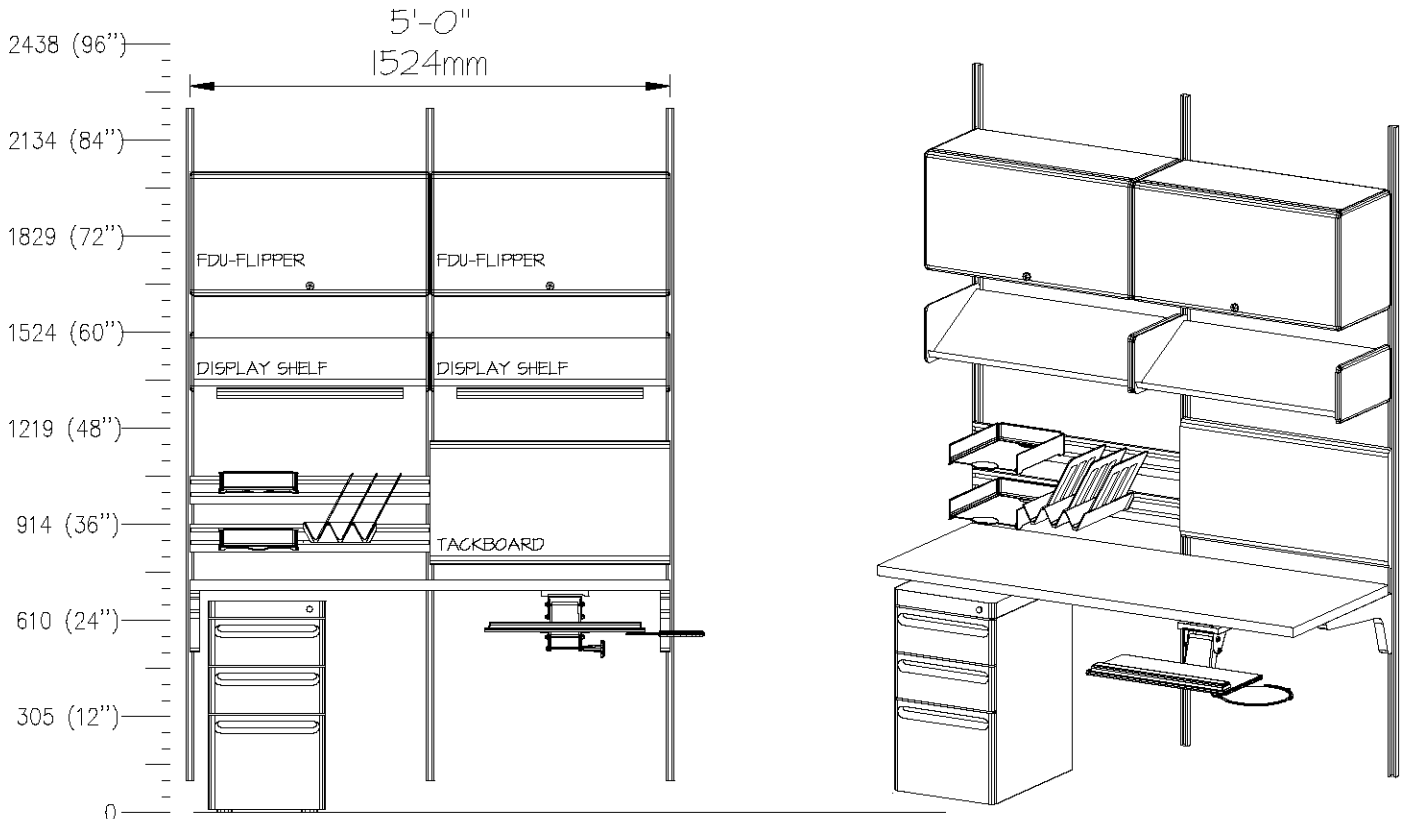


SCALE: 1/2"=1'-0"

QTY	DESCRIPTION
2	Vertical Hanging Strips
1	Lockable Flipper Unit
1	Shelf, Storage/Display
1	Light
1	Cantilevered Work Surface
1	Tackboard
1	Adjustable Keyboard Tray
1	CPU Holder

E0224

WORKCOUNTER, O/H CAB COMPUTER, WALL MTD, 60

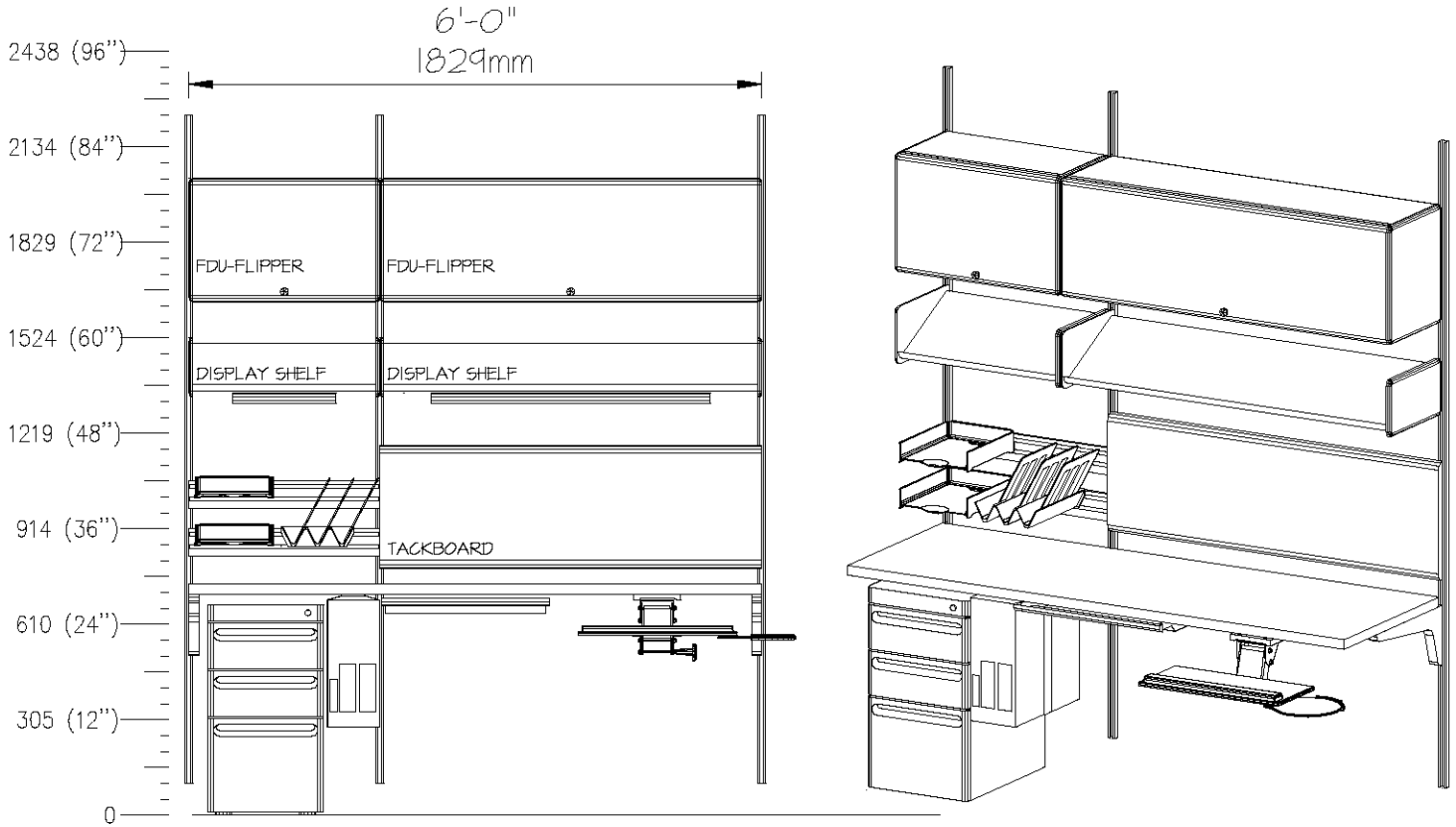


SCALE: 1/2"=1'-0"

QTY	DESCRIPTION
3	Vertical Hanging Strips
2	Lockable Flipper Unit
2	Shelf, Storage/Display
2	Light
1	Tackboard
2	Tool Rail
2	Paper Tray
1	Diagonal Tray
1	Cantilevered Work Surface
1	Adjustable Keyboard Tray
1	Stationary Pedestal, Box/Box/File

E0226

WORKCOUNTER, O/H CAB COMPUTER, WALL MTD, 72

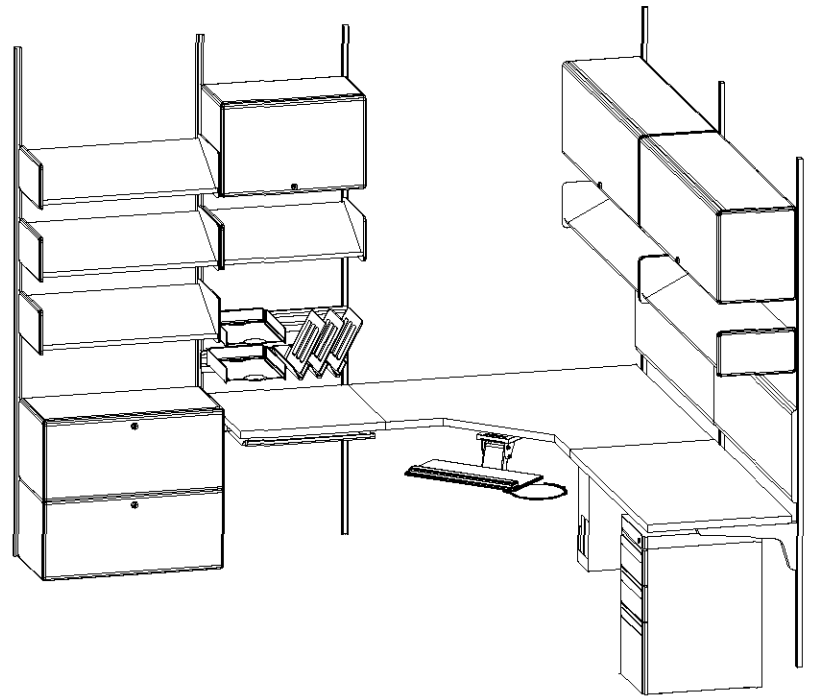
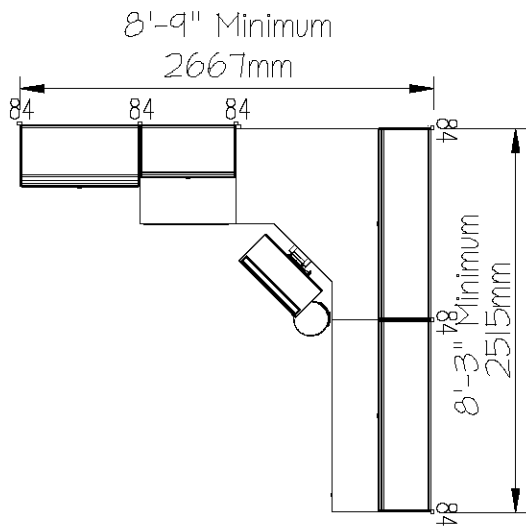


SCALE: 1/2"=1'-0"

QTY	DESCRIPTION
3	Vertical Hanging Strips
2	Lockable Flipper Unit
2	Shelf, Storage/Display
2	Light
1	Tackboard
2	Tool Rail
2	Paper Tray
1	Diagonal Tray
1	Cantilevered Work Surface
1	Adjustable Keyboard Tray
1	Stationary Pedestal, Box/Box/File
1	Pencil Drawer
1	CPU Holder

E0233

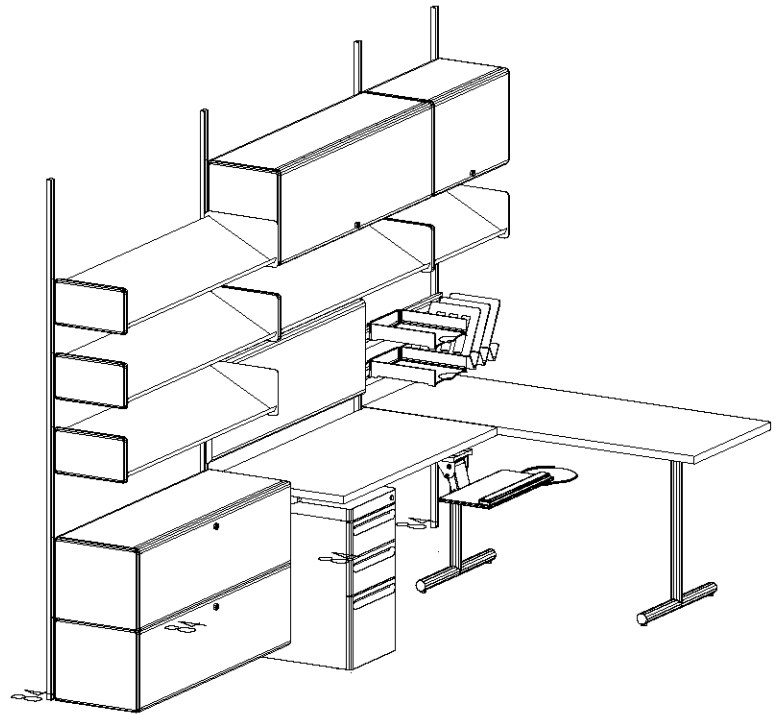
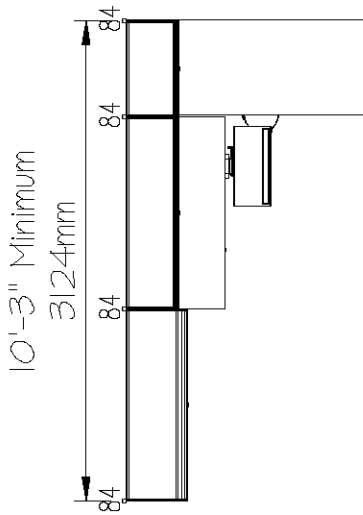
PROVIDER OFFICE, L-SHAPED, WALL MTD, 96x102



<u>QTY</u>	<u>DESCRIPTION</u>
6	Vertical Hanging Strips
3	Lockable Flipper Unit
6	Shelf, Storage/Display
3	Light
2	Tackboard
2	Tool Rail
2	Paper Tray
1	Diagonal Tray
2	Cantilevered Work Surface
1	Cantilevered Corner Work Surface
1	Pencil Drawer
2	Hanging File Drawer
1	Adjustable Keyboard Tray
1	Freestanding Pedestal, Box/Box/File
1	CPU Holder

E0236

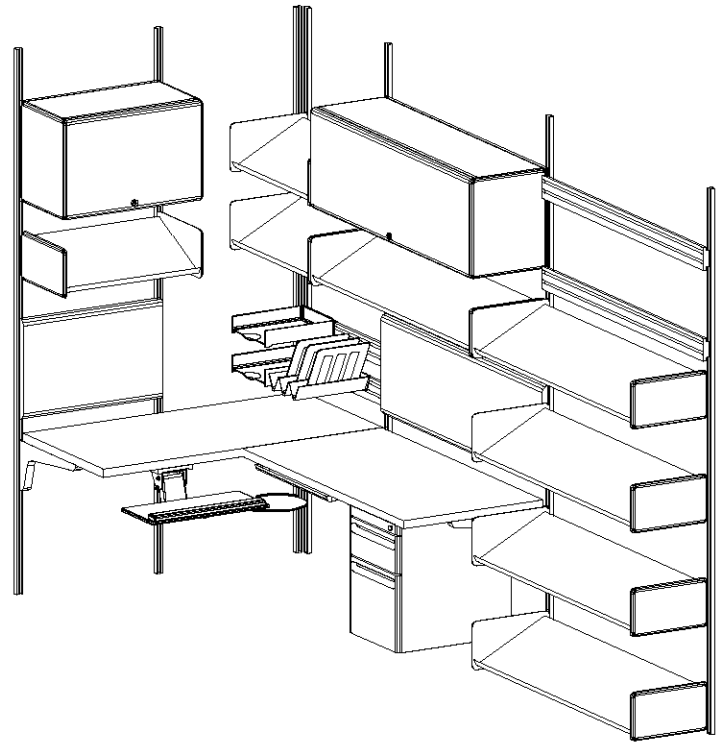
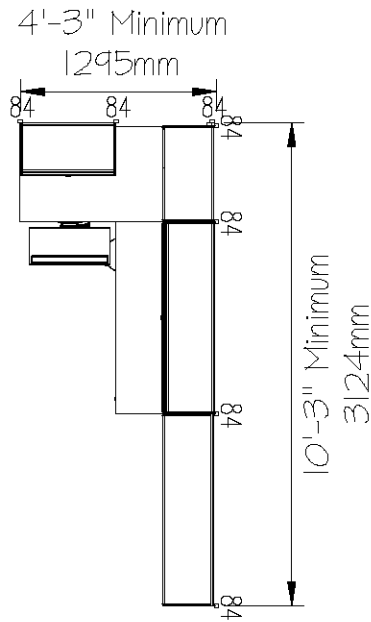
PROVIDER OFFICE, L-SHAPED, WALL MTD, 72x110



<u>QTY</u>	<u>DESCRIPTION</u>
4	Vertical Hanging Strips
2	Lockable Flipper Unit
5	Shelf, Storage/Display
2	Light
1	Tackboard
2	Tool Rail
2	Paper Tray
1	Diagonal Tray
1	Cantilevered Work Surface
1	Freestanding Work Surface
2	Hanging File Drawer
1	Adjustable Keyboard Tray
1	Freestanding Pedestal, Box/Box/File

E0239

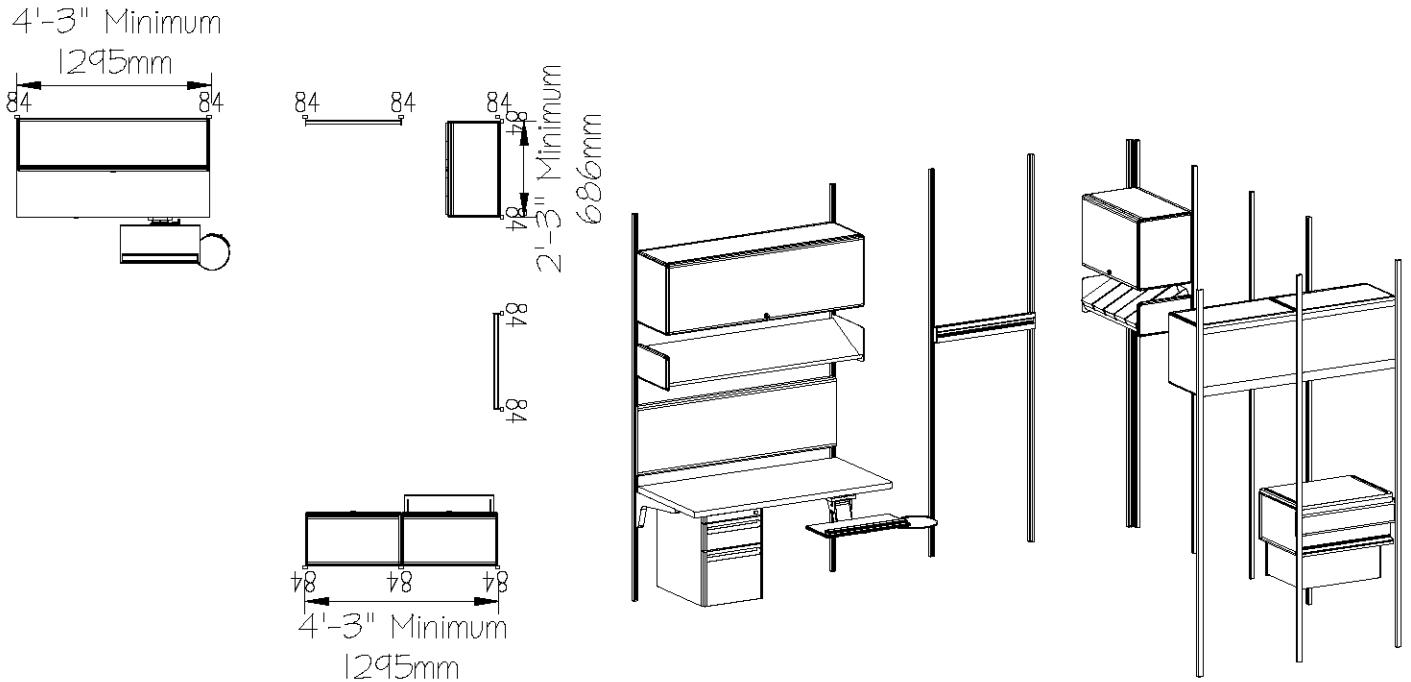
PROVIDER OFFICE, L-SHAPED, WALL MTD, 48x120



<u>QTY</u>	<u>DESCRIPTION</u>
7	Vertical Hanging Strips
2	Lockable Flipper Unit
7	Shelf, Storage/Display
3	Light
2	Tackboard
4	Tool Rail
2	Paper Tray
1	Diagonal Tray
2	Cantilevered Work Surface
1	Pencil Drawer
1	Adjustable Keyboard Tray
1	Hanging Pedestal, Box/File

E0251

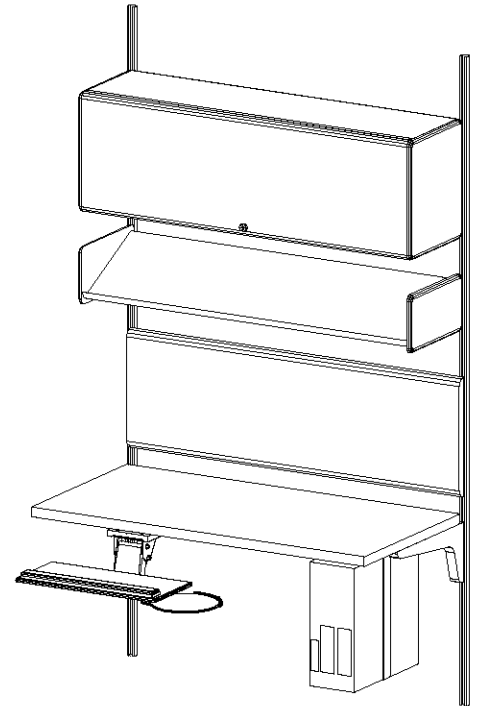
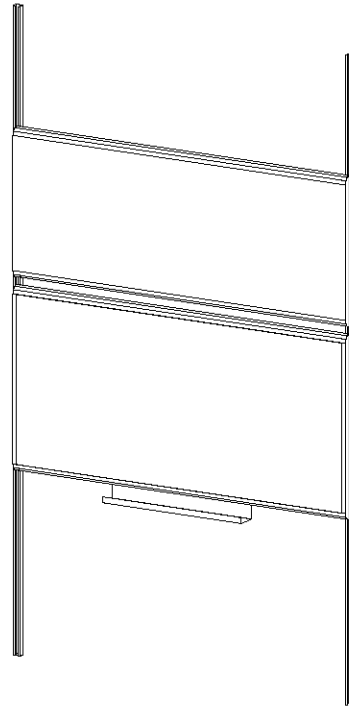
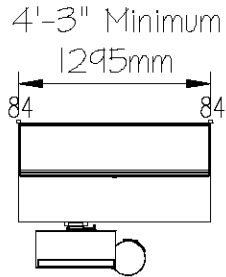
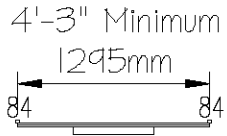
EXAM, WORKSTN & STORAGE, WALL MTD, 3 WALLS



QTY	DESCRIPTION
11	Vertical Hanging Strips
4	Lockable Flipper Unit
2	Shelf, Storage/Display
1	Light
1	Tackboard
1	Cantilevered Work Surface
1	Hanging Pedestal, Box/File
1	Adjustable Keyboard Tray
1	Support Rail
2	Equipment Rail
5	Dispensing Bins
1	Storage Frame
1	Drawer, 3"H (76mm)
1	Drawer, 6"H (152mm)
1	Drawer, 9"H (229mm)
1	Tray/Shelf for Storage Frame
	Drawer Organizer Bins

E0254

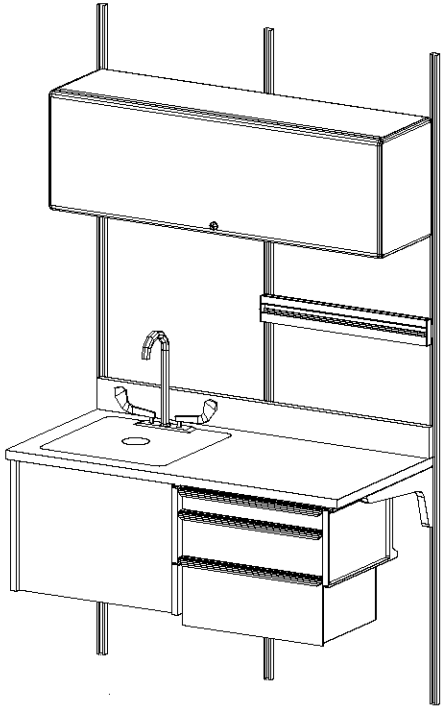
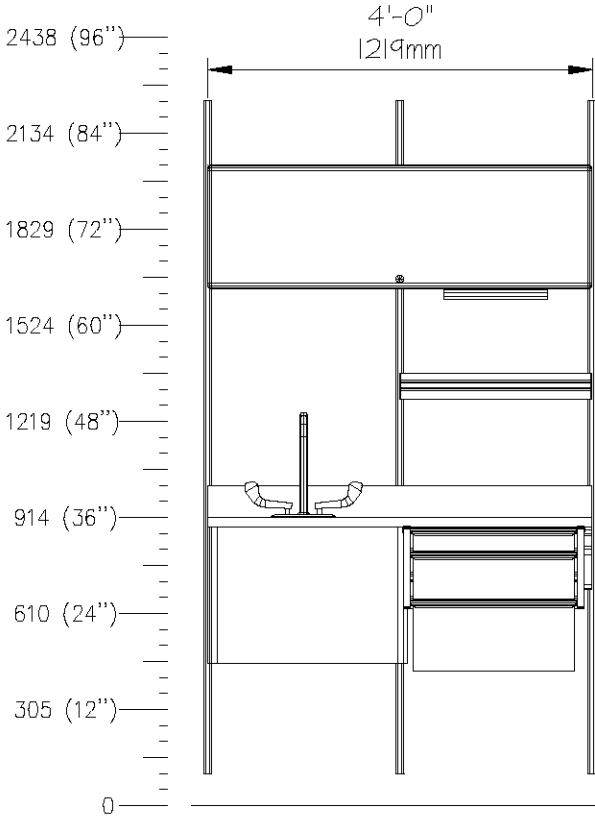
EXAM, WORKSTN & MARKERBOARD, WALL MTD, 48



QTY	DESCRIPTION
4	Vertical Hanging Strips
1	Lockable Flipper Unit
1	Shelf, Storage/Display
1	Light
2	Tackboard
1	Markerboard
1	Cantilevered Work Surface
1	Adjustable Keyboard Tray
1	CPU Holder

E0257

EXAM, WORKSTATION & SINK, WALL MTD, 48

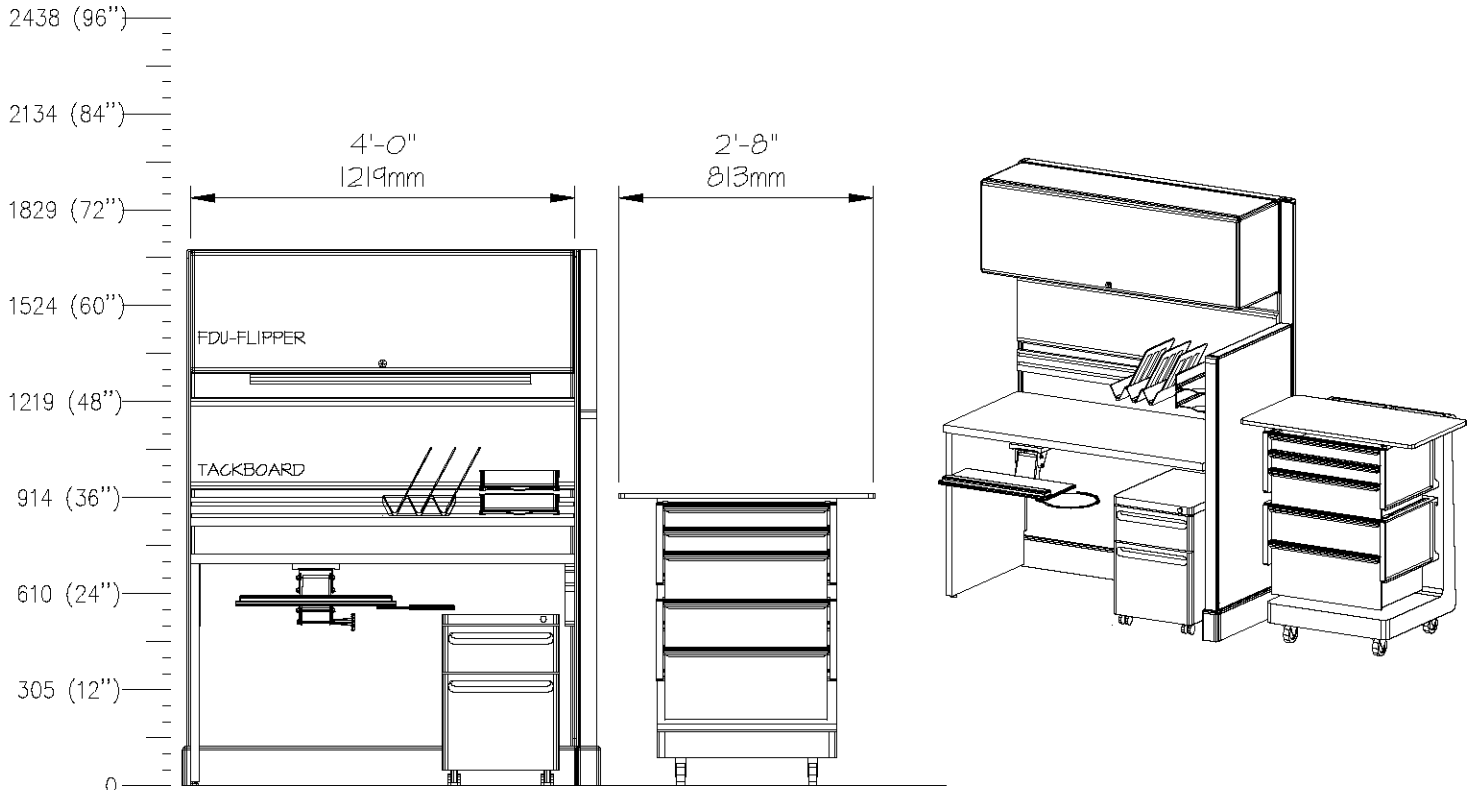


SCALE: 1/2"=1'-0"

QTY	DESCRIPTION
3	Vertical Hanging Strips
1	Lockable Flipper Unit
1	Shelf, Storage/Display
1	Light
1	Equipment Rail
1	Cantilevered Sink Adaptable Work Surface With Corian Top
1	Storage Frame
1	Drawer, 3"H (76mm)
1	Drawer, 6"H (152mm)
1	Drawer, 9"H (229mm)
1	Sink & Faucet

E0260

EXAM, WORKSTATION & CART, FREE STD, 84

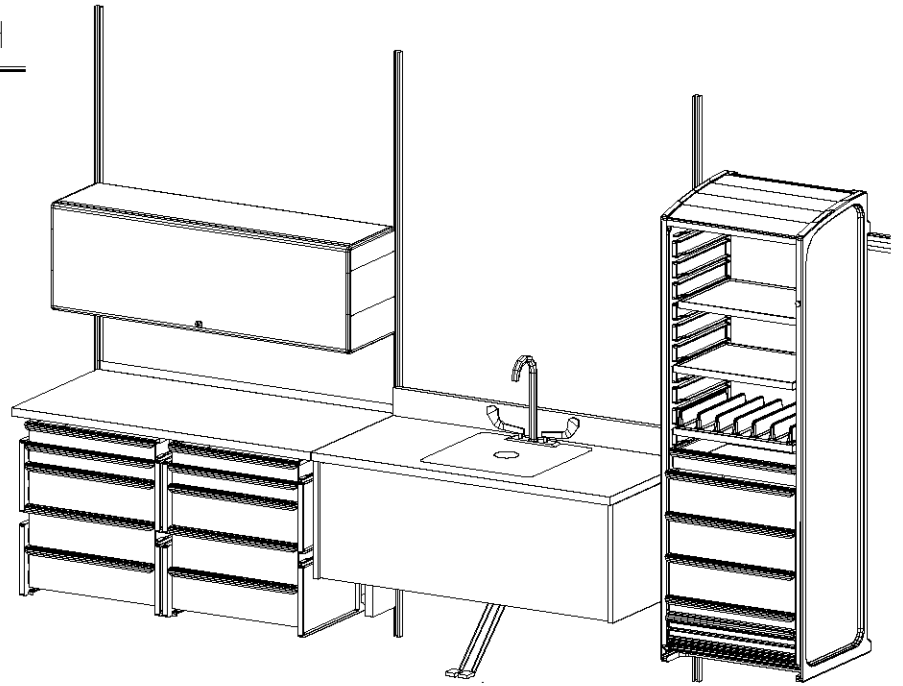
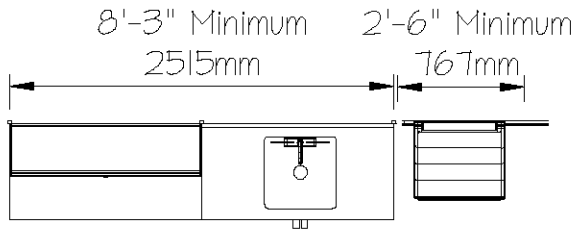


SCALE: 1/2"=1'-0"

QTY	DESCRIPTION
1	Standard Solid Panel
1	Standard Open Panel
1	Panel Connector, 2-Way Corner
2	Finished End Hardware
1	Lockable Flipper Unit
1	Light
1	Tackboard
1	Tool Rail
2	Paper Tray
1	Diagonal Tray
1	Cantilevered Work Surface
1	Adjustable Keyboard Tray
1	Mobile Pedestal, Box/File
1	Support Panel
2	Storage Frame
1	Mobile Cart W/Top Surface
2	Drawer, 3"H (76mm)
2	Drawer, 6"H (152mm)
1	Drawer, 9"H (229mm)
	Drawer Organizer Bins

E0272

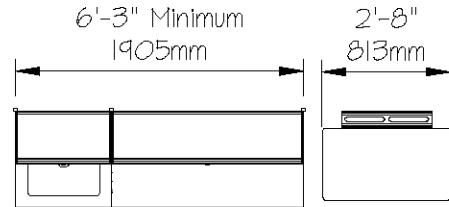
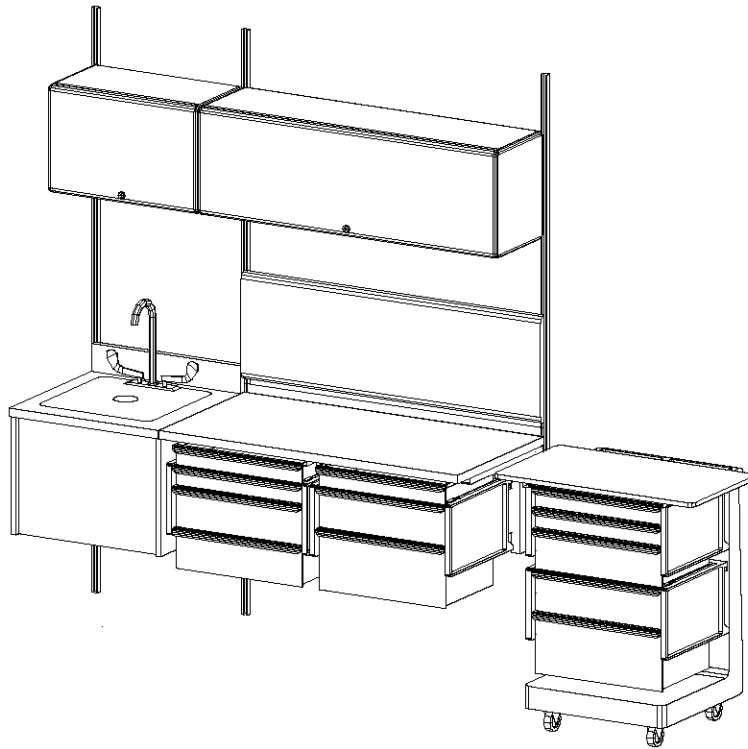
TREATMENT,SINK WKCTR,WALL MTD,120



<u>QTY</u>	<u>DESCRIPTION</u>
3	Vertical Hanging Strips
1	Wall Mounted Rail
1	Lockable Flipper Unit
1	Shelf, Storage/Display
1	Light
1	Cantilevered Work Surface
1	Cantilevered Sink Adaptable Work Surface With Corian Top
4	Storage Frame
1	Supply Locker
5	Drawer, 3"H (76mm)
10	Drawer, 6"H (152mm)
1	Sink & Faucet
1	Footpedal
3	Tray Shelf
	Drawer Organizer Bins

E0275

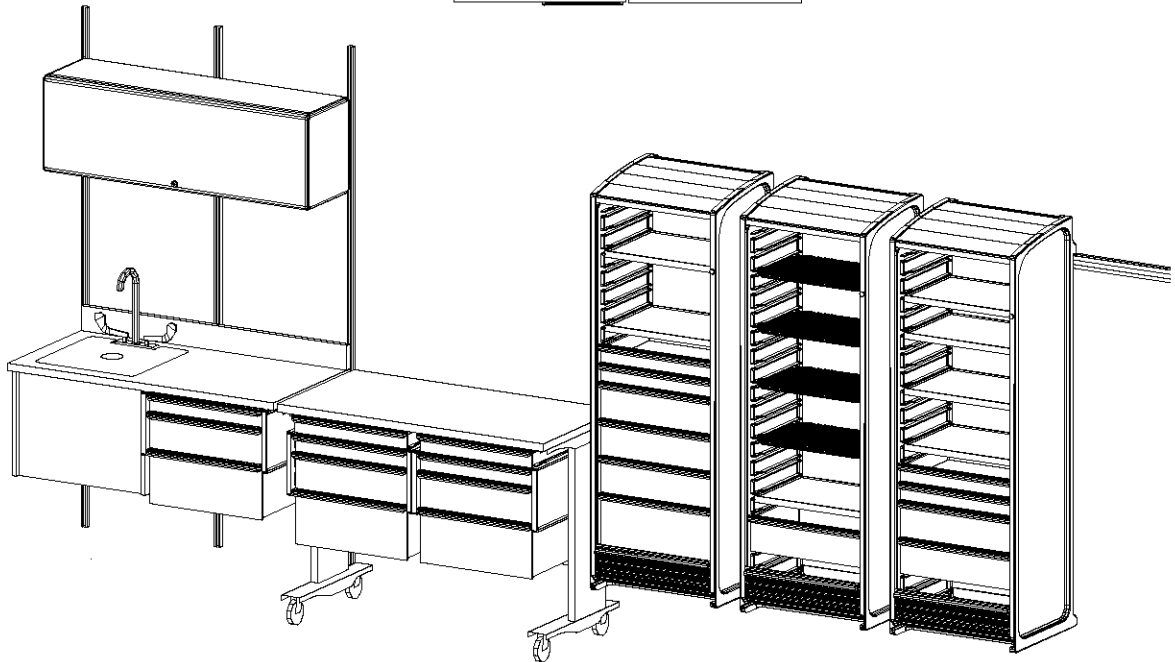
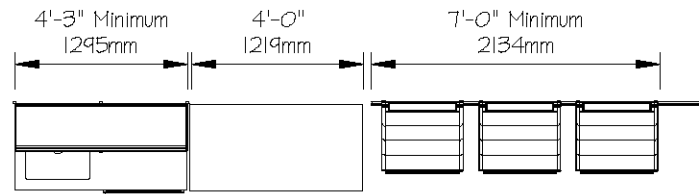
TREATMENT,SINK WKCTR,WALL MTD,105



<u>QTY</u>	<u>DESCRIPTION</u>
3	Vertical Hanging Strips
2	Lockable Flipper Unit
1	Light
1	Tackboard
1	Cantilevered Sink Adaptable Work Surface, W/Backsplash With Corian Top
1	Cantilevered, Work Surface W/Backsplash
4	Storage Frame
5	Drawer, 3"H (76mm)
5	Drawer, 6"H (152mm)
2	Drawer, 9"H (229mm)
1	Mobile Cart
1	Extended Top Surface Drawer Organizer Bins

E0281

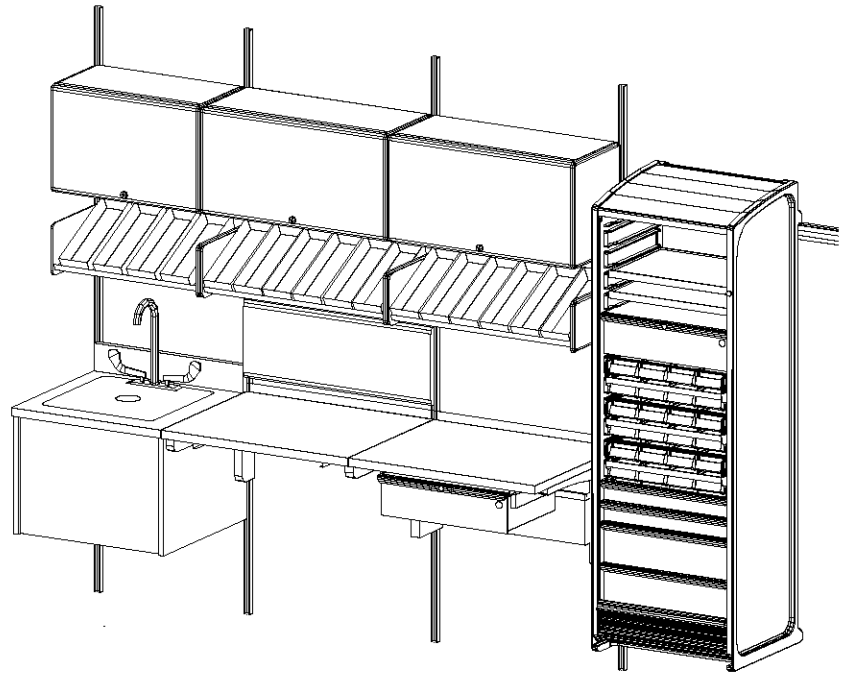
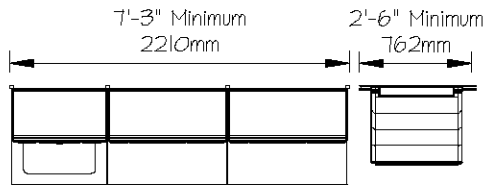
TRAUMA,SINK WKCTR,WALL MTD,171



<u>QTY</u>	<u>DESCRIPTION</u>
3	Vertical Hanging Strips
1	Lockable Flipper Unit
1	Light
1	Cantilevered, Sink Adaptable Work Surface W/Backsplash and Space for Storage Frame, With Corian Top
1	Height Adjustable Table
3	Storage Frame
3	Large Storage Container
1	Support Rail
7	Tray/Shelf
9	Drawer, 3"H (76mm)
9	Drawer, 6"H (152mm)
4	Drawer, 9"H (229mm)
4	Wire Shelf
1	Tray/Shelf Divider
1	Chest Tube Rack
1	Sink & Faucet
	Drawer Organizer Bins

E0287

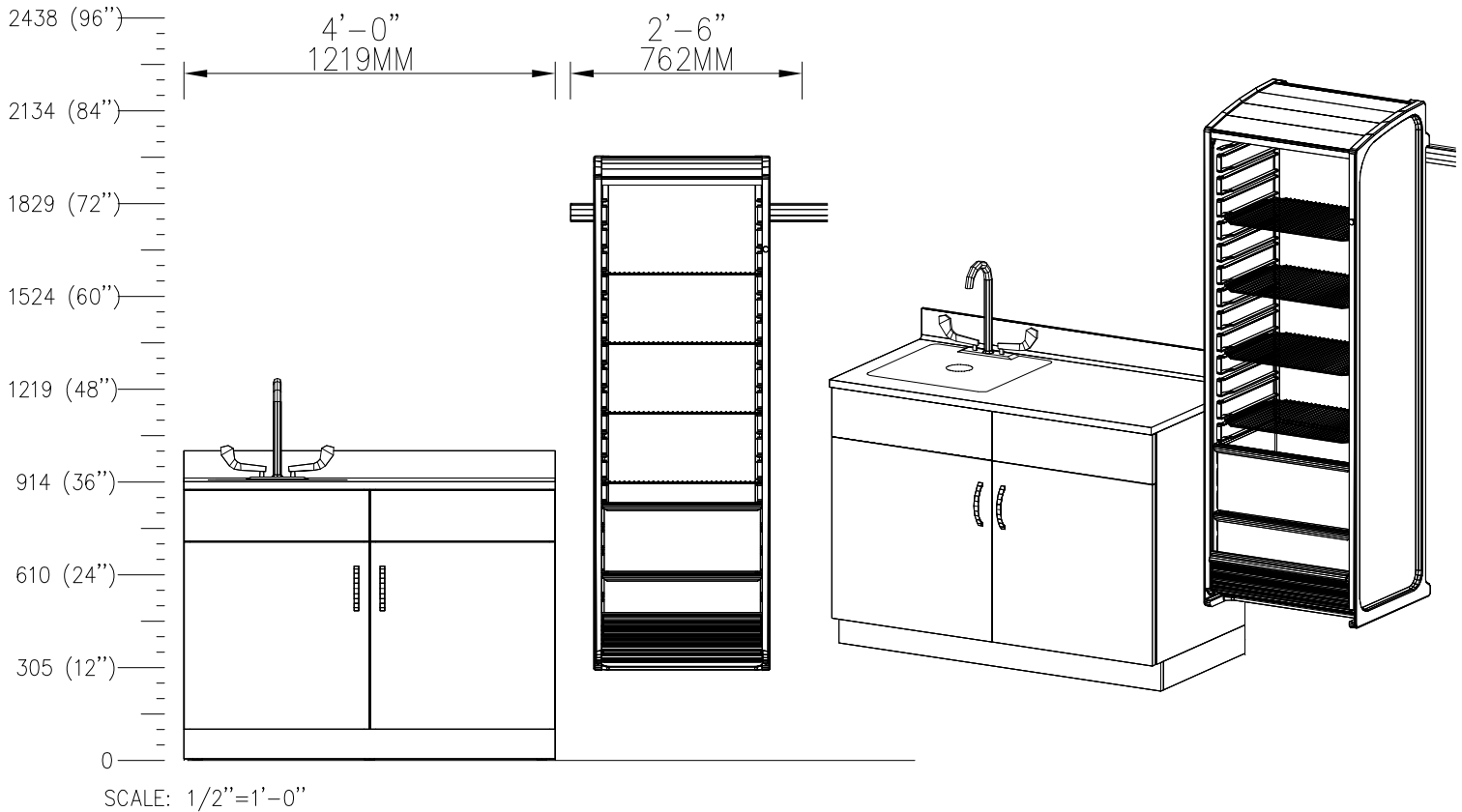
MED PREP, SINK WKCTR, WALL MTD, 103



<u>QTY</u>	<u>DESCRIPTION</u>
4	Vertical Hanging Strips
3	Lockable Flipper Unit
3	Shelf, Storage/Display
2	Light
16	Bins, 4 9/16"W (114mm) x 2 3/16"W (57mm)
1	Cantilevered, Sink Adaptable Work Surface W/Backsplash With Corian Top
2	Cantilevered, Work Surface W/Backsplash
1	Large Storage Container
1	Support Rail
2	Tray/Shelf
2	Drawer, Lockable, W/Locked Lid, 6"H (152mm)
3	8-Bin Cassette Assembly
2	Drawer, 3"H (76mm)
2	Drawer, 6"H (152mm)
1	Sink & Faucet
	Drawer Organizer Bins

E0293

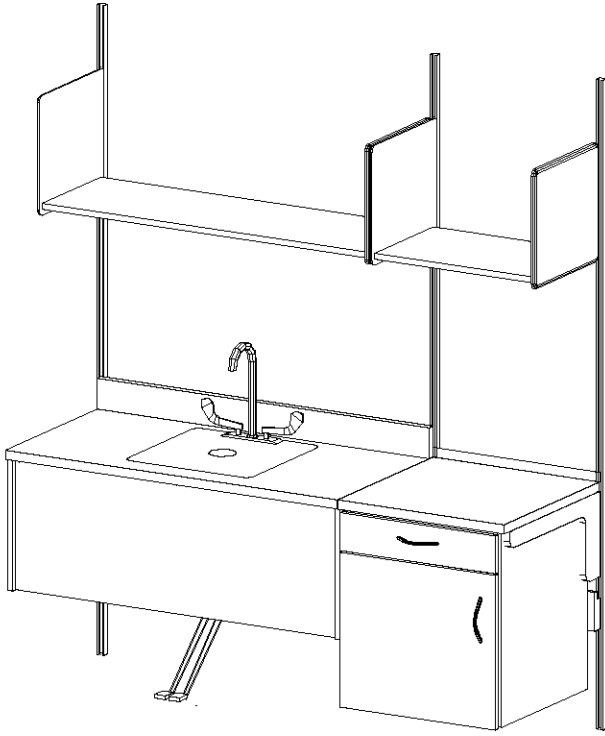
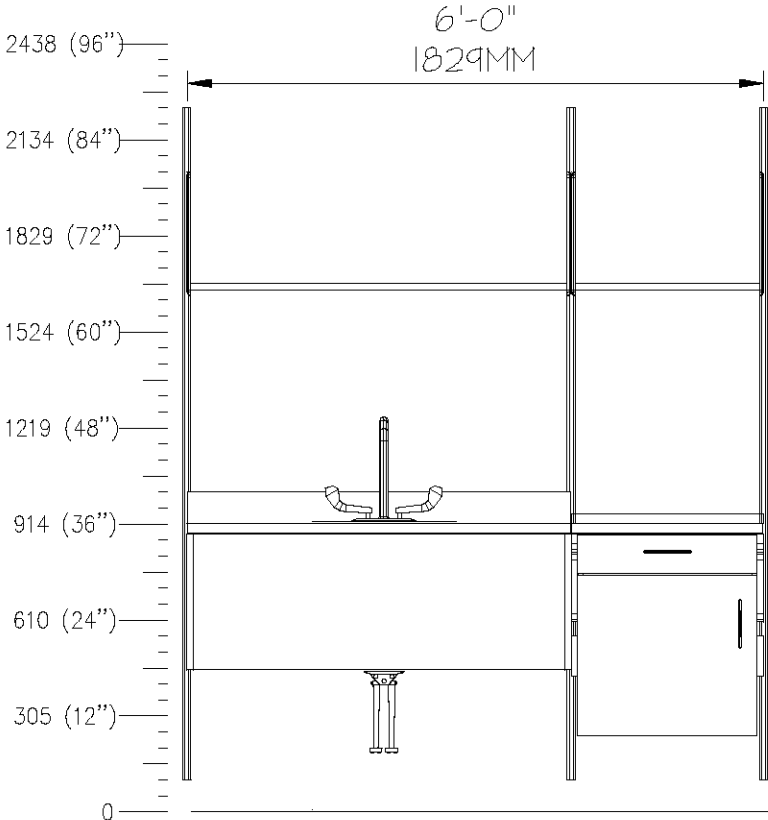
SOILED UTIL,SINK & LOCKER,WALL MTD,72



<u>QTY</u>	<u>DESCRIPTION</u>
1	Wall Mounted Rail
1	Freestanding Sink Adaptable Cabinet W/Backsplash With Corian Top
1	Supply Locker
1	Sink & Faucet
2	Drawer, 9"H (229mm)
4	Wire Shelf

E0296

SOILED UTIL, SINK & STORAGE, WALL MTD, 72

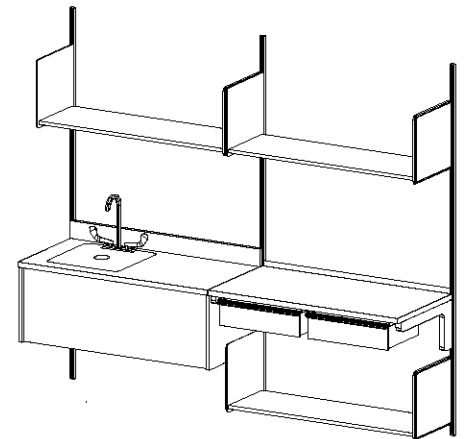
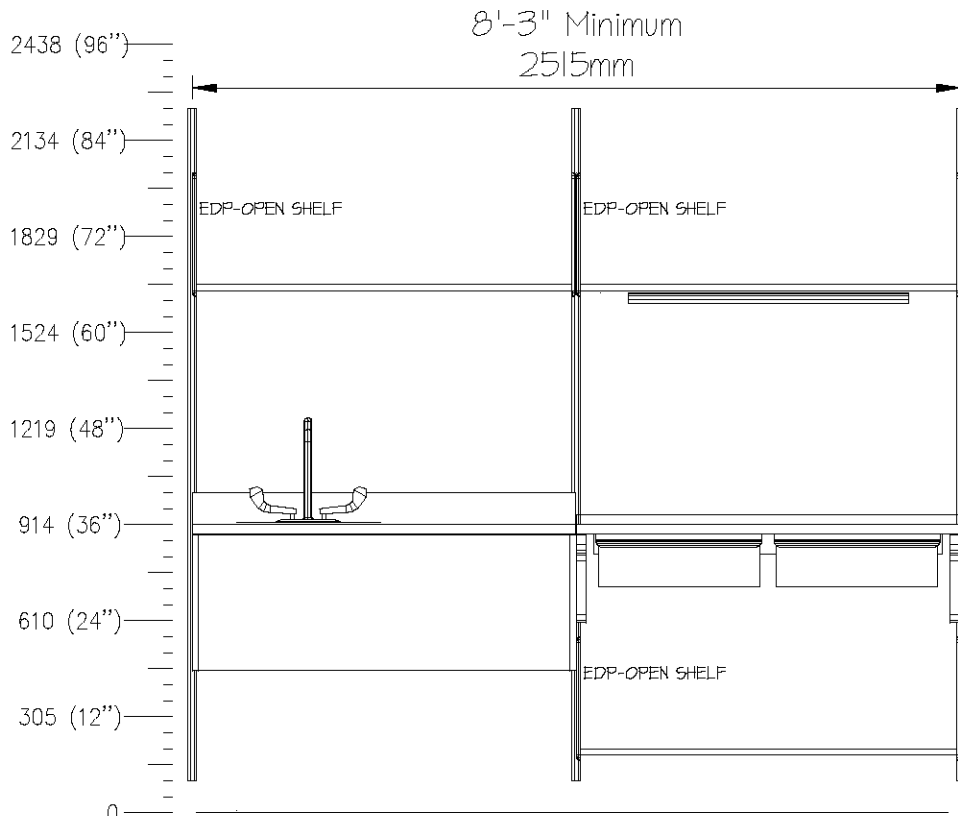


SCALE: 1/2"=1'-0"

QTY	DESCRIPTION
3	Vertical Hanging Strips
2	Shelf
1	Cantilevered Sink Adaptable Work Surface With Corian Top
1	Cantilevered Work Surface W/Backsplash
1	Support Rail
1	Storage Cabinet W/Door
1	Drawer, 6"H (152mm)
1	Footpedal
1	Sink & Faucet

E0299

SOILED UTIL, SINK & STORAGE, WALL MTD, 96

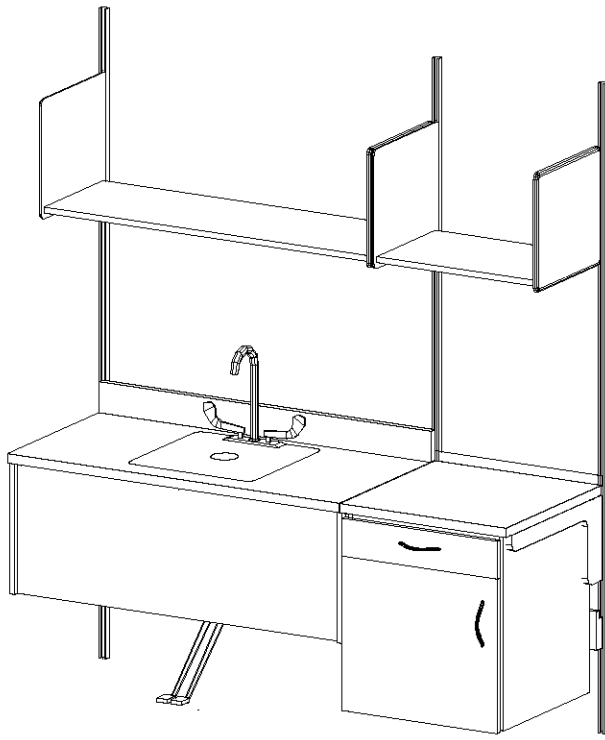
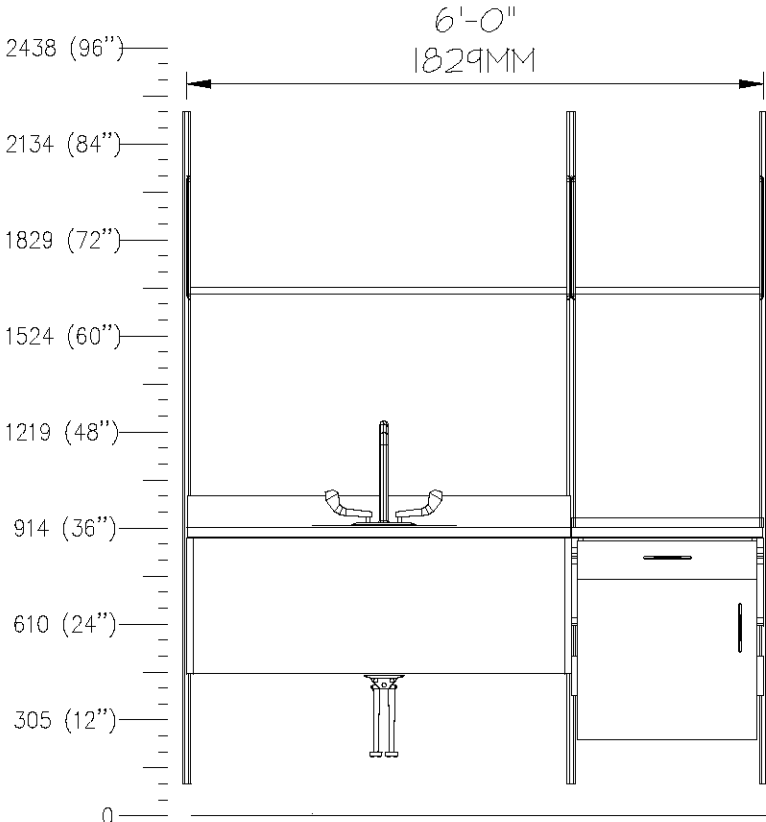


SCALE: 1/2"=1'-0"

QTY	DESCRIPTION
3	Vertical Hanging Strips
1	Cantilevered Sink Adaptable Work Surface With Corian Top
1	Cantilevered Work Surface
1	Light
2	Drawe, 6"H (152mm)
1	Sink & Faucet
3	Shelf

E0305

CLEAN UTIL, SINK & STORAGE, WALL MTD, 72

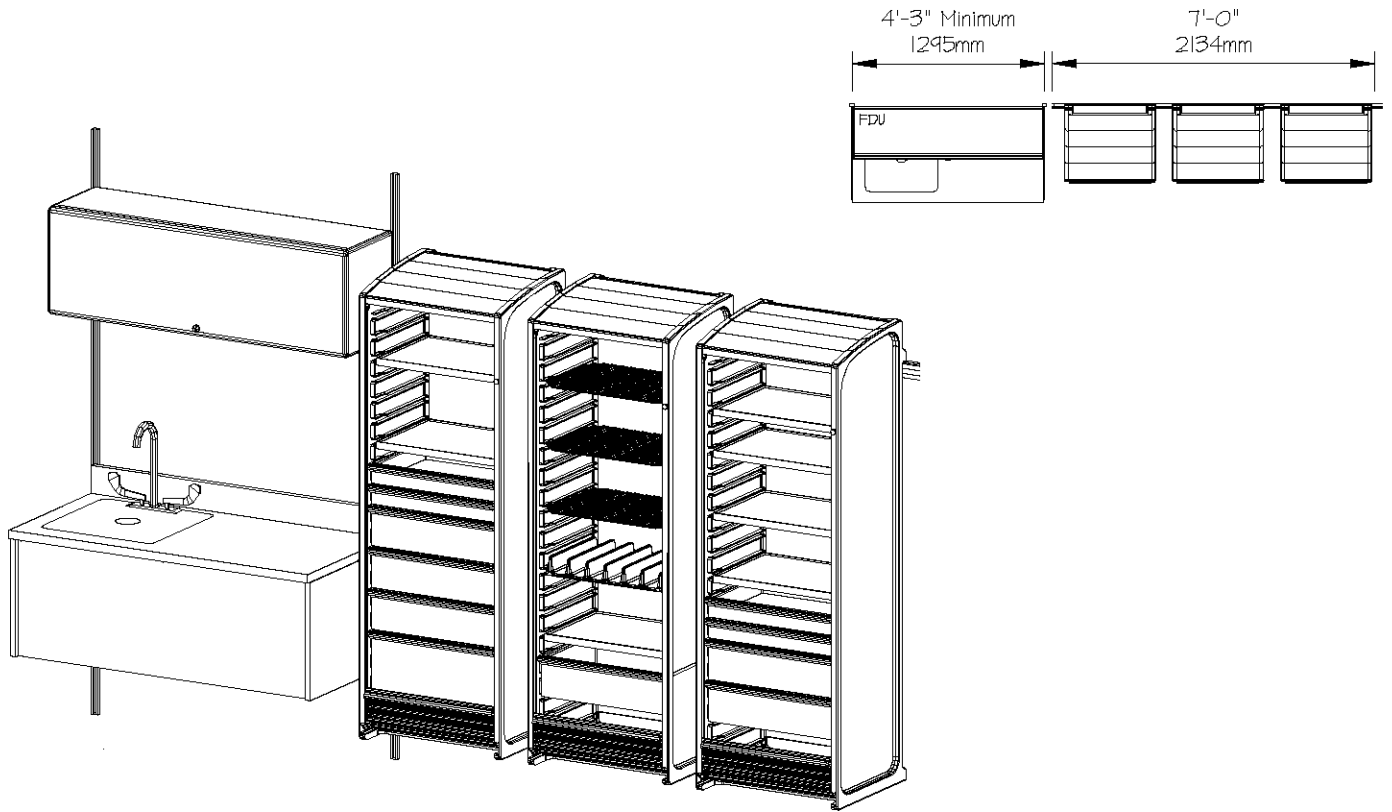


SCALE: 1/2"=1'-0"

QTY	DESCRIPTION
3	Vertical Hanging Strips
2	Shelf
1	Cantilevered Sink Adaptable Work Surface With Corian Top
1	Cantilevered Work Surface W/Backsplash
1	Storage Cabinet W/Door
1	Support Rail
1	Drawer, 6"H (152mm)
1	Sink & Faucet
1	Footpedal

E0308

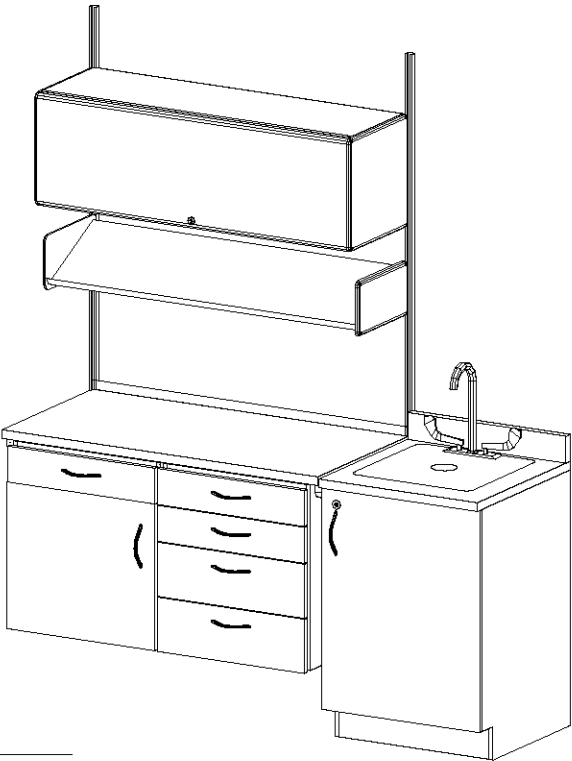
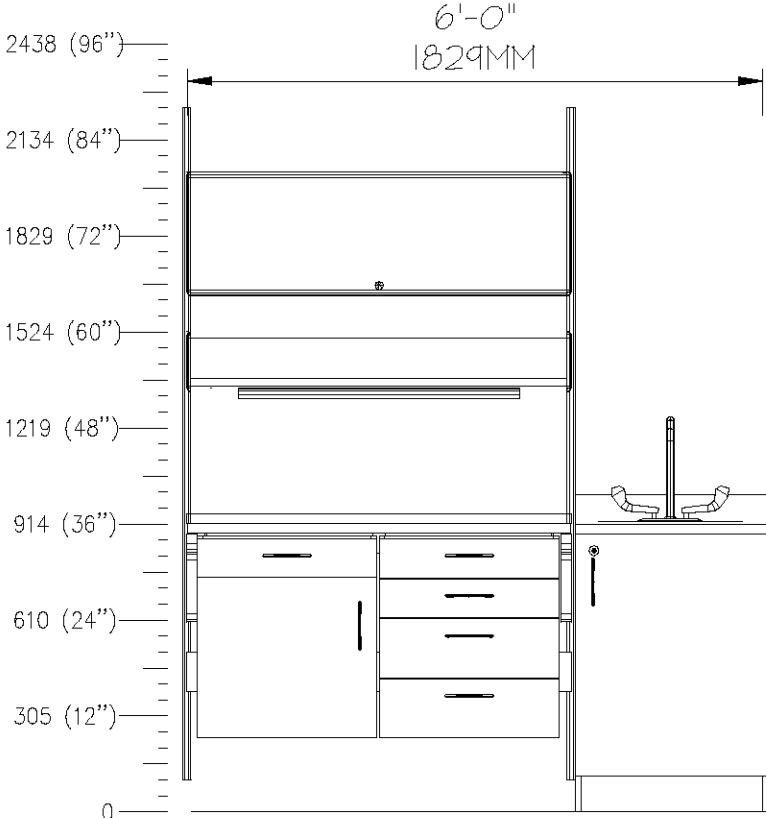
CLEAN UTIL, SINK & LOCKER, WALL MTD, 121



<u>QTY</u>	<u>DESCRIPTION</u>
2	Vertical Hanging Strips
1	Lockable Flipper Unit
1	Cantilevered, Sink Adaptable Work Surface W/Backsplash With Corian Top
3	Large Storage Container
1	Support Rail
7	Tray/Shelf
4	Drawer, 3"H (76mm)
6	Drawer, 6"H (152mm)
1	Drawer, 9"H (229mm)
4	Wire Shelf
1	Tray/Shelf Divider
1	Sink & Faucet
	Drawer Organizer Bins

E0314

STAFF LOUNGE, SINK AREA, WALL MTD, 72



SCALE: 1/2"=1'-0"

QTY	DESCRIPTION
2	Vertical Hanging Strips
1	Lockable Flipper Unit
1	Shelf, Storage/Display
1	Light
1	Cantilevered Work Surface
1	Sink Cabinet With Corian Top
1	Storage Cabinet
1	Storage Cabinet W/Door
3	Drawer, 5"H (127mm)
2	Drawer, 7 1/2"H (191mm)
1	Support Rail
1	Sink & Faucet