



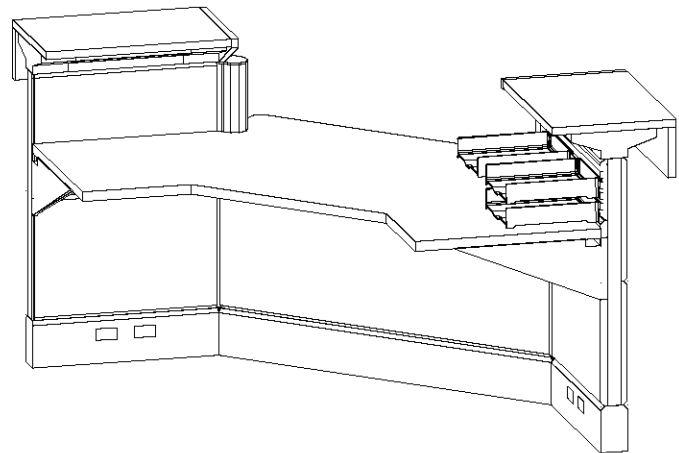
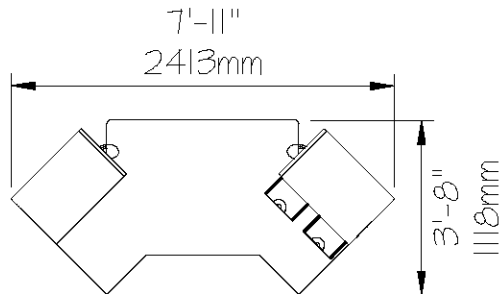
# DEPARTMENT OF DEFENSE (DOD)

Joint Schedule Numbers (JSNs)

August 2023

# E0403

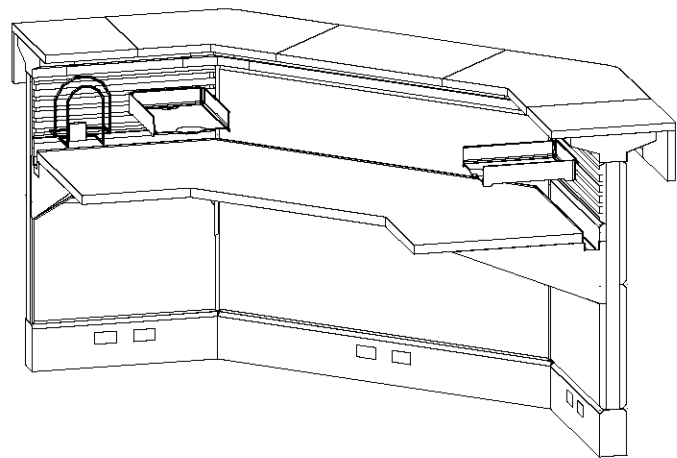
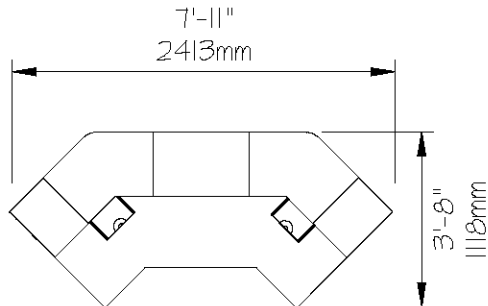
NURSE STN, ACCESSIBLE W/ANGLE, FREE STD, 96



<u>QTY</u>	<u>DESCRIPTION</u>
1	Steel Frame W/Low Access
2	Steel Frame
1	Cantilevered Low Access Work Surface, 135 Degree
2	Laminate Panel Insert, 20"H (508mm)
1	Panel Insert, Tackable, 16"H (406mm)
1	Panel Insert, Paper Mgmt, 16"H (406mm)
6	Panel Insert, Painted Metal, 16"H (406mm)
2	Countertop W/Light Support Assembly, 16"D (406mm)
3	Paper Tray, 10"W (254mm)

# E0406

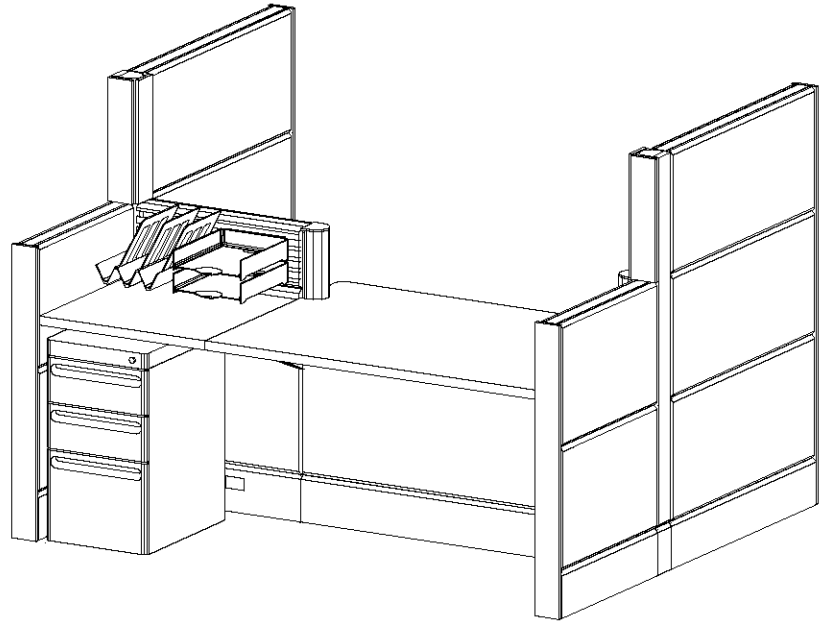
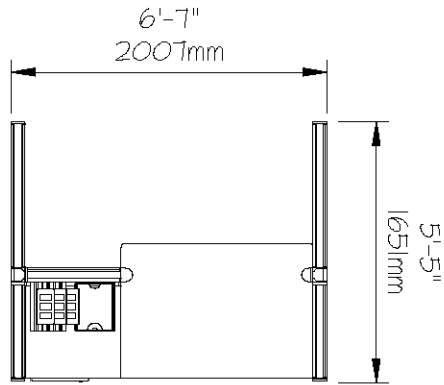
## NURSE STN,ANGLE,FREE STD,96



<u>QTY</u>	<u>DESCRIPTION</u>
3	Steel Frame
1	Cantilevered Work Surface, 135 Degree
1	Panel Insert, Tackable, 16"H (406mm)
2	Panel Insert, Paper Mgmt, 16"H (406mm)
9	Panel Insert, Painted Metal, 16"H (406mm)
1	Countertop W/Light Support Assembly, 16"D (406mm)
2	Paper Tray, 10"W (254mm)
1	Binder/File Holder

# E0409

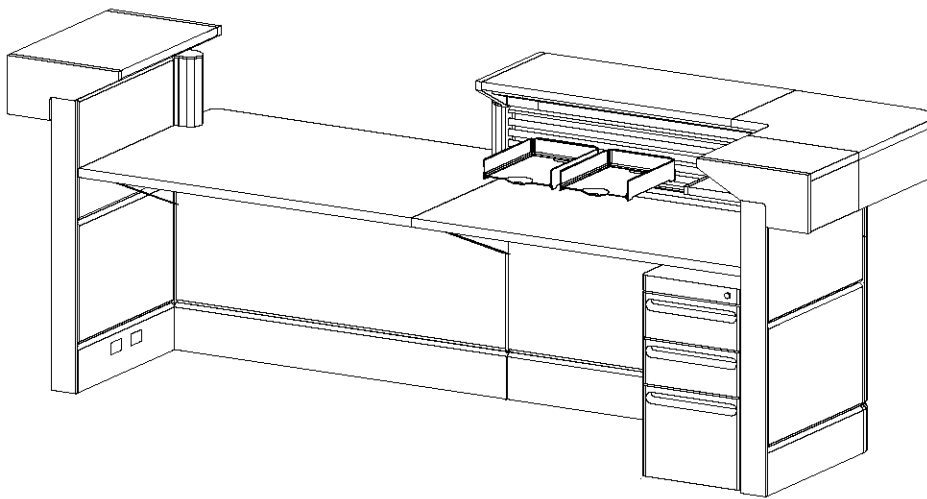
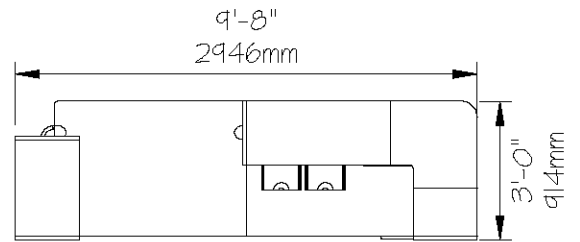
NURSE STN, ADMITTING, FREE STD, 72



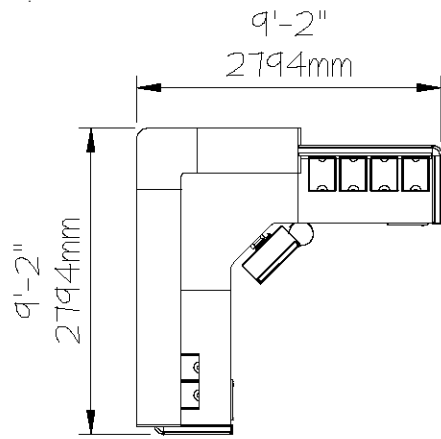
<u>QTY</u>	<u>DESCRIPTION</u>
2	Steel Frame, 54"H (1372mm) x 36"W (914mm)
3	Steel Frame, 38"H (965mm) x 24"W (610mm)
1	Steel Frame W/Low Access, 38"H (965mm) x 48"W (1219mm)
2	Frame Connector, 3-Way Corner, 54"H (1372mm)
4	Finished End Hardware
1	Cantilevered, Work Surface, 24"W (610mm)
1	Cantilevered, Low Access Work Surface, 48"W (1219mm)
1	Pedestal, Box/Box/File
2	Laminate Panel Insert, 20"H (508mm) x 48"W (1219mm)
1	Panel Insert, Paper Mgmt, 16"H (406mm) x 24"W (610mm)
11	Panel Insert, Painted Metal, 16"H (406mm) x 24"W (610mm)
12	Panel Insert, Painted Metal, 16"H (406mm) x 36"W (914mm)
1	Diagonal Tray
2	Paper Tray

# E0412

NURSE STN,RECEPT STRAIGHT,FREE STD,96

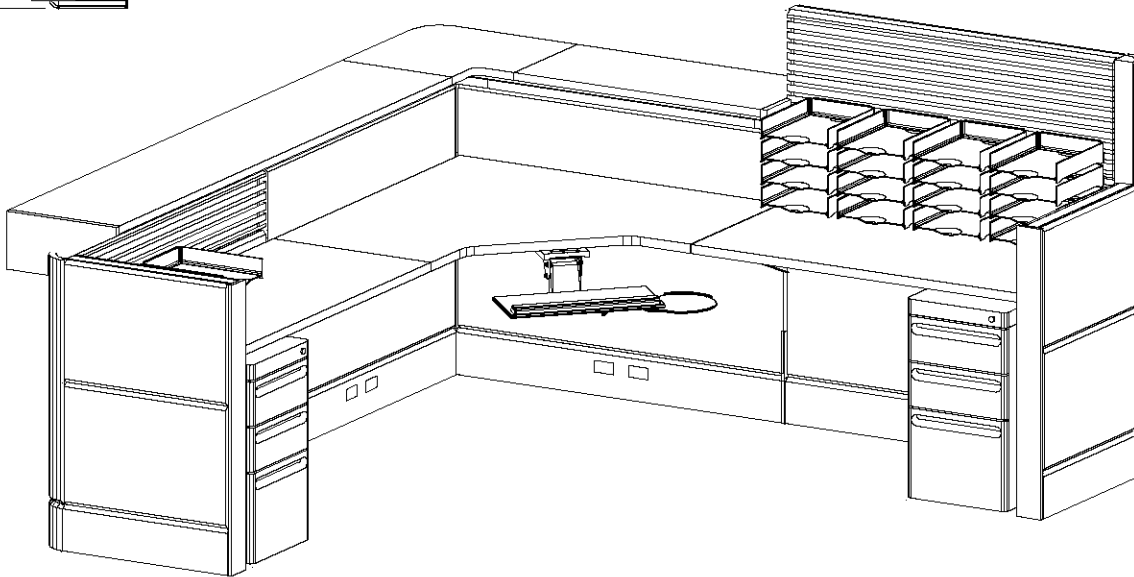


QTY	DESCRIPTION
1	Steel Frame W/Low Access, 38"H (965mm) x 48"W (1219mm)
1	Steel Frame, 38"H (965mm) x 48"W (1219mm)
2	Steel Frame, 38"H (965mm) x 24"W (610mm)
2	Frame Connector, 3-Way Corner, 38"H (965mm)
2	Finished End Hardware
1	Cantilevered, Work Surface, 48"W (1219mm)
1	Cantilevered, Low Access Work Surface, 48"W (1219mm)
1	Pedestal, Box/Box/File
2	Laminate Panel Insert, 20"H (508mm) x 48"W (1219mm)
1	Panel Insert, Paper Mgmt, 16"H (406mm) x 48"W (1219mm)
3	Panel Insert, Painted Metal, 16"H (406mm) x 48"W (1219mm)
8	Panel Insert, Painted Metal, 16"H (406mm) x 24"W (610mm)
2	Countertop W/Light Support Assembly, 16"D (406mm)
2	Paper Tray
1	Mini-Shelf



E0415

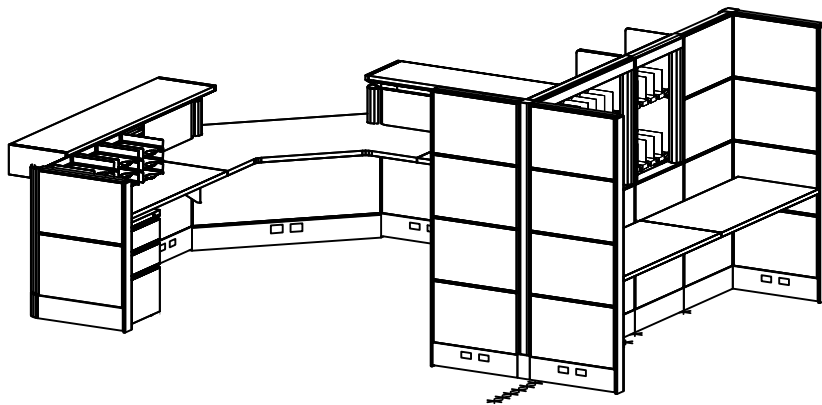
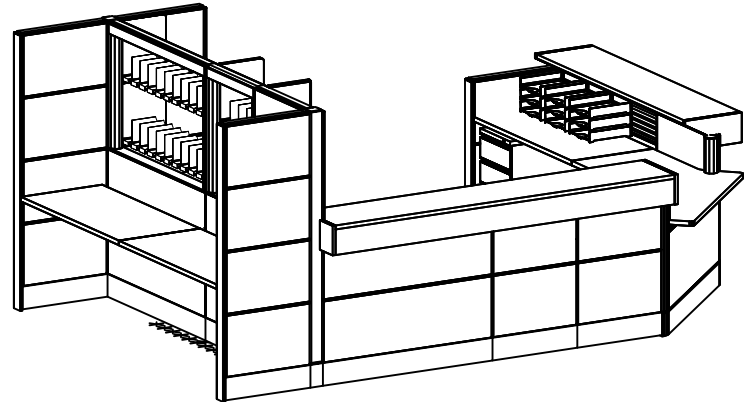
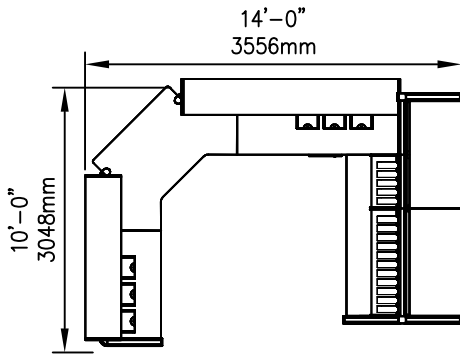
NURSE STN, RECEPT L-SHAPED, FREE STD, 96x96



QTY	DESCRIPTION
1	Steel Frame, 54"H (1372mm) x 48"W (1219mm)
3	Steel Frame, 38"H (965mm) x 48"W (1219mm)
2	Steel Frame, 38"H (965mm) x 24"W (610mm)
1	Frame Connector, 2-Way Corner, 54"H (1372mm)
2	Frame Connector, 2-Way Corner, 38"H (965mm)
2	Finished End Hardware
1	Cantilevered, Corner Work Surface 48"W (1219mm)
2	Cantilevered, Work Surface, 48"W (1219mm)
2	Pedestal, Box/Box/File
1	Fully Adjustable Keyboard Tray
15	Panel Insert, Painted Metal, 16"H (406mm) x 48"W (1219mm)
8	Panel Insert, Painted Metal, 16"H (406mm) x 24"W (610mm)
2	Panel Insert, Painted Metal, 8"H (203mm) x 48"W (1219mm)
2	Panel Insert, Paper Mgmt, 16"H (406mm) x 48"W (1219mm)
1	Panel Insert, Paper Mgmt, 8"H (203mm) x 48"W (1219mm)
1	Countertop W/Light Support Assembly, 16"D (406mm)
18	Paper Tray, 10"W (254mm)

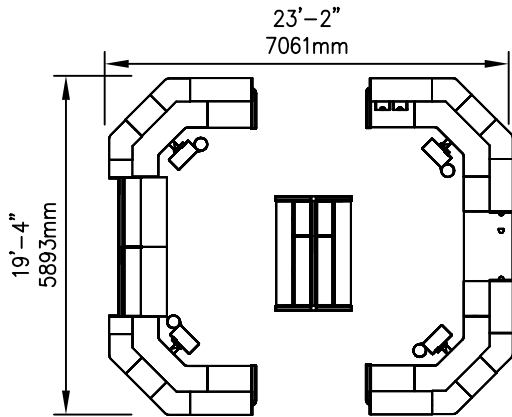
# E0418

NURSE STN, MEDIUM, FREE STD



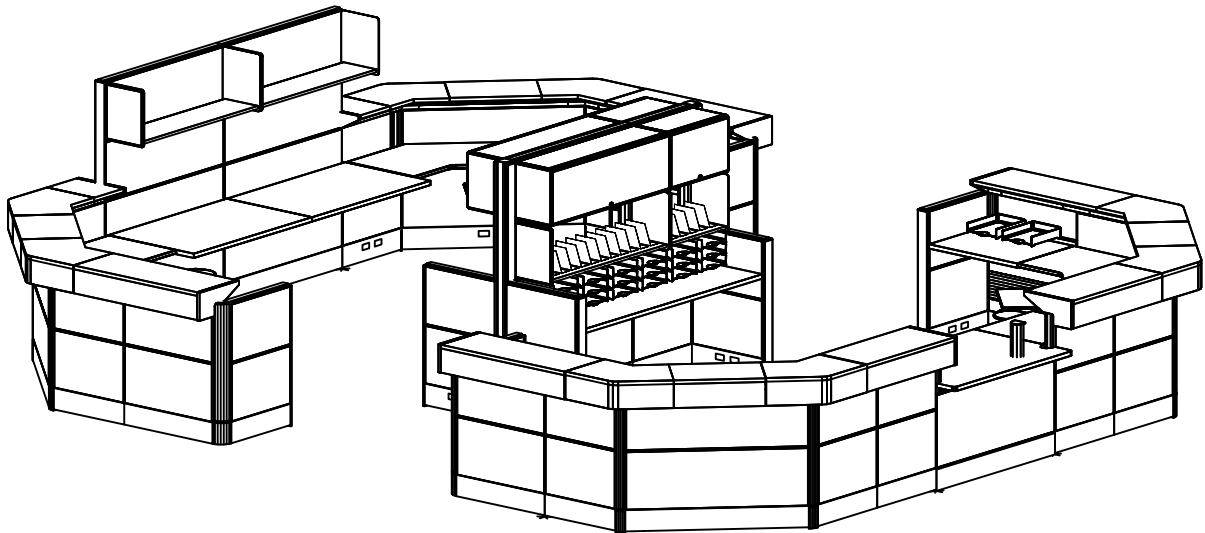
## QTY DESCRIPTION

- 1 Steel Frame W/Low Access, 38"H (965mm) x 48"W (1219mm)
- 4 Steel Frame, 38"H (965mm) x 24"W (610mm)
- 2 Steel Frame, 38"H (965mm) x 48"W (1219mm)
- 5 Steel Frame, 70"H (1778mm) x 24"W (610mm)
- 1 Steel Frame, 70"H (1778mm) x 48"W (1219mm)
- 5 Finished End Hardware
- 6 Frame-to-Frame Connectors
- 1 Frame Connector, 2-Way Corner, 38"H (965mm)
- 2 Frame Connector, 3-Way Corner, 70"H (1778mm)
- 2 Frame Connector, 2-Way 135 Deg Corner, 38"H (965mm)
- 2 Panel Insert, Painted Metal, 8"H (203mm) x 24"W (610mm)
- 50 Panel Insert, Painted Metal, 16"H (406mm) x 24"W (610mm)
- 10 Panel Insert, Painted Metal, 16"H (406mm) x 48"W (1219mm)
- 2 Panel Insert, Painted Metal, 20"H (508mm) x 48"W (1219mm)
- 2 Panel Insert, Tackable, 16"H (406mm) x 24"W (610mm)
- 2 Panel Insert, Paper Mgmt, 8"H (203mm) x 48"W (1219mm)
- 3 Cantilevered, Work Surface, 48"W (1219mm)
- 2 Cantilevered, Work Surface, 72"W (1829mm)
- 1 Cantilevered, Low Access Work Surface, 135 Deg, 48"W (1219mm)
- 1 Countertop w/Light Support Assembly, 16"D (406mm) x 14'L (4267mm)
- 2 Pedestal, Box, Box, File
- 32 Shelf Divider
- 2 Shelf, 24"W (610mm)
- 2 Shelf, 48"W (2119mm)



E0421

NURSE STN,LARGE,FREE STD



QTY	DESCRIPTION
1	Steel Frame W/Low Access, 38"H (965mm) x 48"W (1219mm)
18	Steel Frame, 38"H (965mm) x 24"W (610mm)
4	Steel Frame, 38"H (965mm) x 30"W (762mm)
4	Steel Frame, 38"H (965mm) x 48"W (1219mm)
1	Steel Frame, 70"H (1778mm) x 24"W (610mm)
3	Steel Frame, 70"H (1778mm) x 48"W (1219mm)
8	Finished End Hardware
16	Frame-to-Frame Connectors
4	Frame Connector, 2-Way Corner, 38"H (965mm)
2	Frame Connector, 3-Way Corner, 70"H (1778mm)
8	Frame Connector, 2-Way 135 Deg Corner, 38"H (965mm)
1	Panel Insert, Painted Metal, 8"H (203mm) x 24"W (610mm)
1	Panel Insert, Painted Metal, 8"H (203mm) x 30"W (762mm)
1	Panel Insert, Painted Metal, 8"H (203mm) x 48"W (1219mm)
77	Panel Insert, Painted Metal, 16"H (406mm) x 24"W (610mm)
15	Panel Insert, Painted Metal, 16"H (406mm) x 30"W (762mm)
37	Panel Insert, Painted Metal, 16"H (406mm) x 48"W (1219mm)
2	Panel Insert, Painted Metal, 20"H (508mm) x 48"W (1219mm)
1	Panel Insert, Paper Mgmt, 8"H (203mm) x 24"W (610mm)
1	Panel Insert, Paper Mgmt, 8"H (203mm) x 30"W (762mm)
1	Panel Insert, Paper Mgmt, 8"H (203mm) x 48"W (1219mm)
2	Cantilevered, Work Surface, 24"W (610mm)
4	Cantilevered, Work Surface, 30"W (762mm)
2	Cantilevered, Work Surface, 48"W (1219mm)
2	Cantilevered, Work Surface, 72"W (1829mm)
1	Cantilevered, Low Access Work Surface, 48"W (1219mm)
4	Cantilevered, Work Surface, Dbl 135 Deg, 48"W (1219mm)
1	Countertop w/Light Support Assembly, 16"D (406mm) x 46'L (14021mm)
4	Fully Adjustable Keyboard Tray
1	Shelf, 24"W (610mm)
1	Shelf, 48"W (1219mm)
2	Shelf, Deep, 48"W (1219mm)
2	Lockable Flipper Unit, 24"W (610mm)
2	Lockable Flipper Unit, 48"W (1219mm)
20	Paper Tray, 10"W (254mm)
16	Shelf Divider