



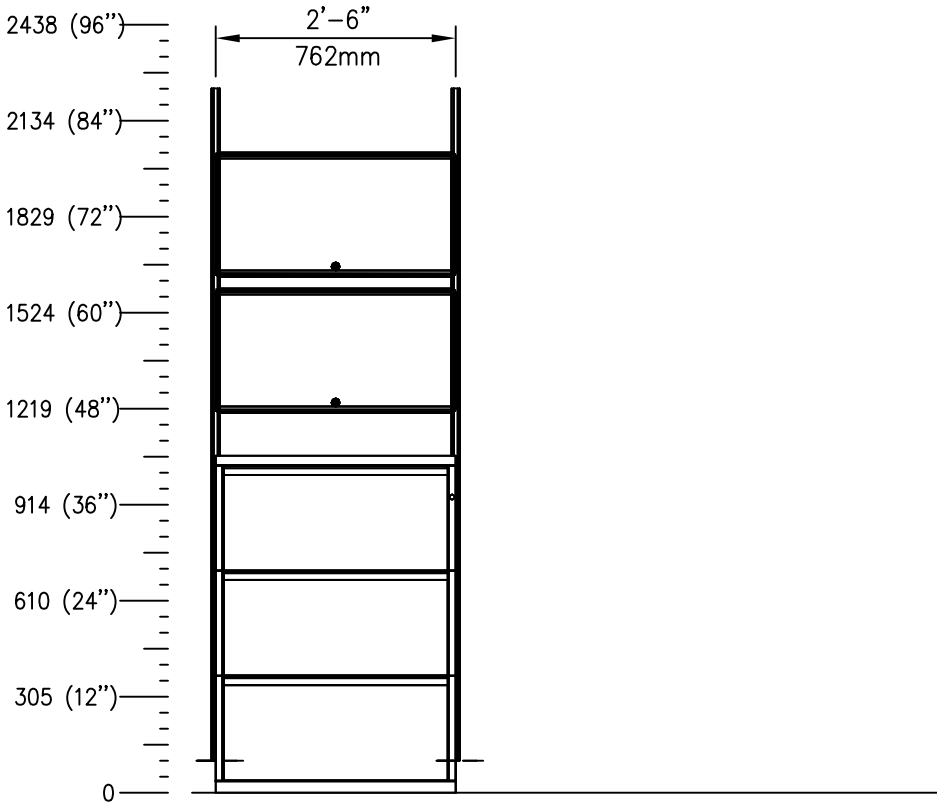
DEPARTMENT OF DEFENSE (DOD)

Joint Schedule Numbers (JSNs)

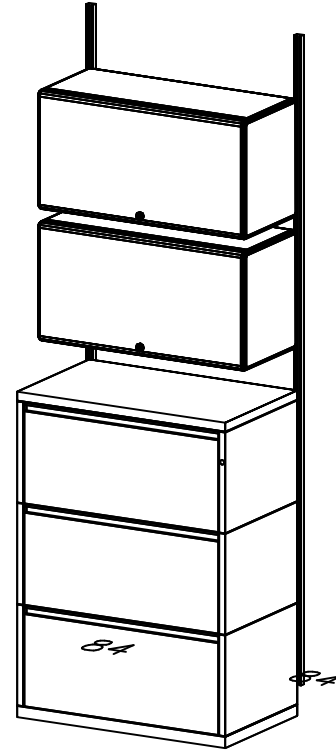
August 2023

E0803

STORAGE,FILES & CABINETS,WALL MTD,16x30



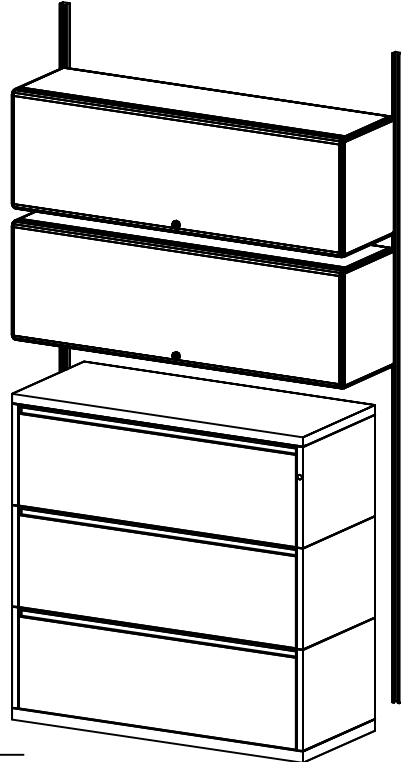
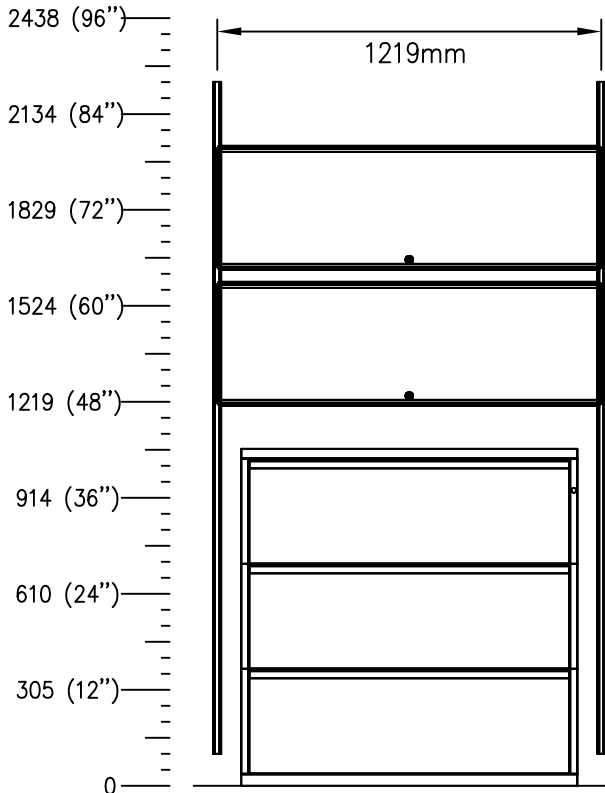
SCALE: 1/2"=1'-0"



<u>QTY</u>	<u>DESCRIPTION</u>
2	Vertical Hanging Strip
2	Lockable Flipper Unit
1	3 Drawer Freestanding Lateral File
	Shelf Dividers

E0806

STORAGE,FILES & CABINETS,WALL MTD,16x48

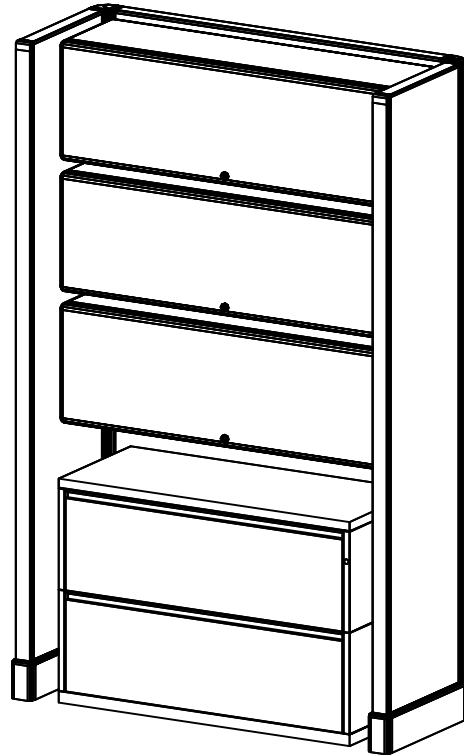
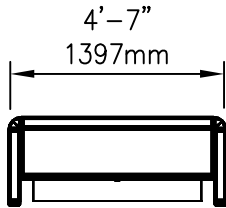


SCALE: 1/2"=1'-0"

<u>QTY</u>	<u>DESCRIPTION</u>
2	Vertical Hanging Strip
2	Lockable Flipper Unit
1	3 Drawer Freestanding Lateral File
	Shelf Dividers

E0809

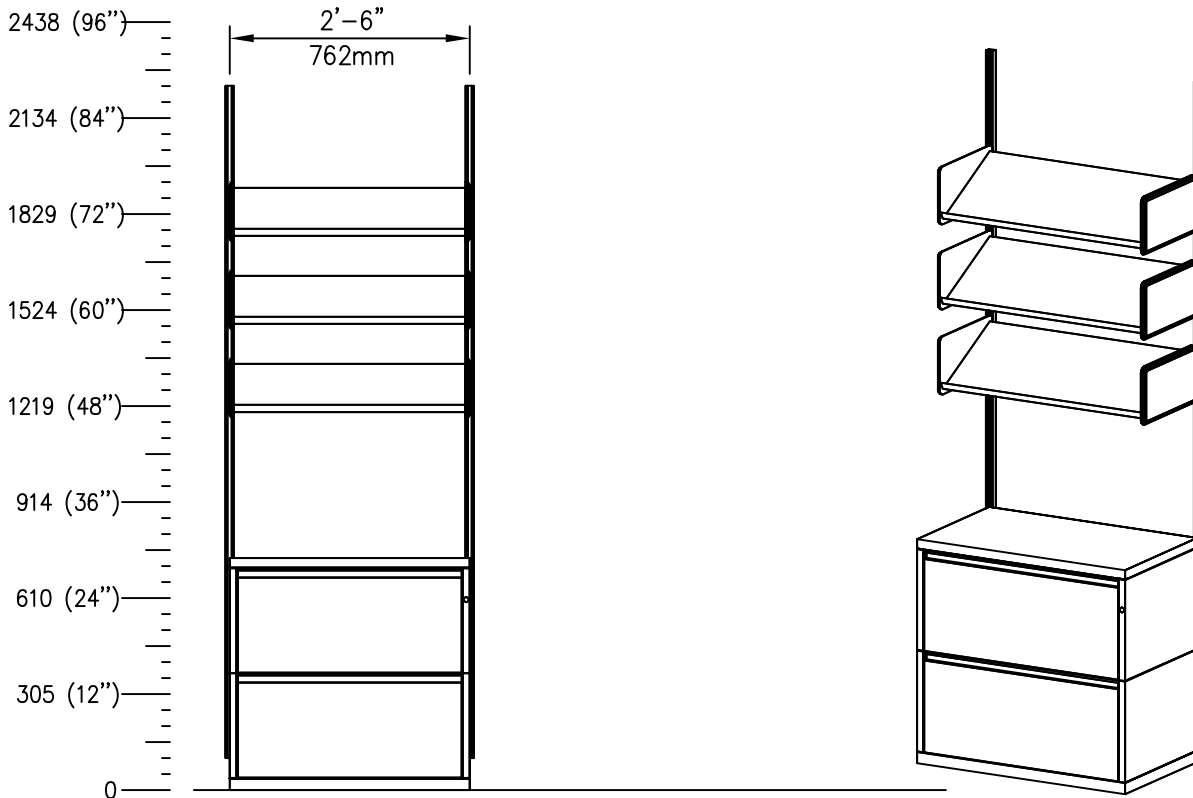
STORAGE,FILES & CABINETS,FREE STD,16x48



<u>QTY</u>	<u>DESCRIPTION</u>
2	Solid Panel, 85"H (2159mm) x 18"W (457mm)
1	Solid Panel, 85"H (2159mm) x 48"W (1219mm)
2	Panel Connector, 2-Way Corner, 85"H (2159mm)
2	Finished End Hardware
3	Lockable Flipper Unit, 48"W (1219mm)
1	2 Drawer Freestanding Lateral File, 42"W (1067mm)

E0821

STORAGE,FILES & SHELVES,WALL MTD,16x30

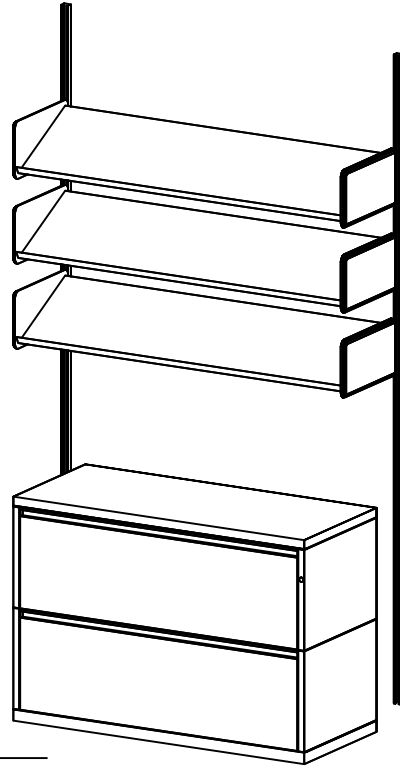
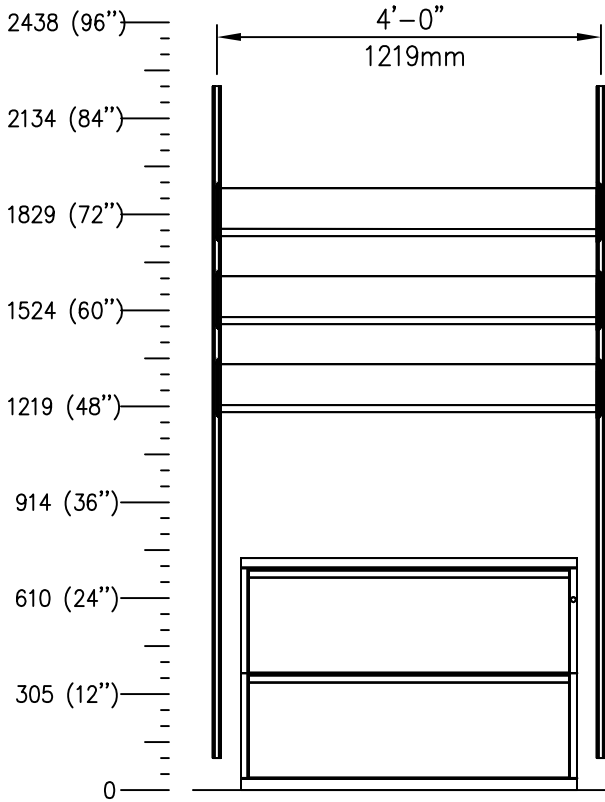


SCALE: 1/2"=1'-0"

<u>QTY</u>	<u>DESCRIPTION</u>
2	Vertical Hanging Strip
3	Shelf
1	2 Drawer Freestanding Lateral File Shelf Dividers

E0824

STORAGE,FILES & SHELVES,WALL MTD,16x48

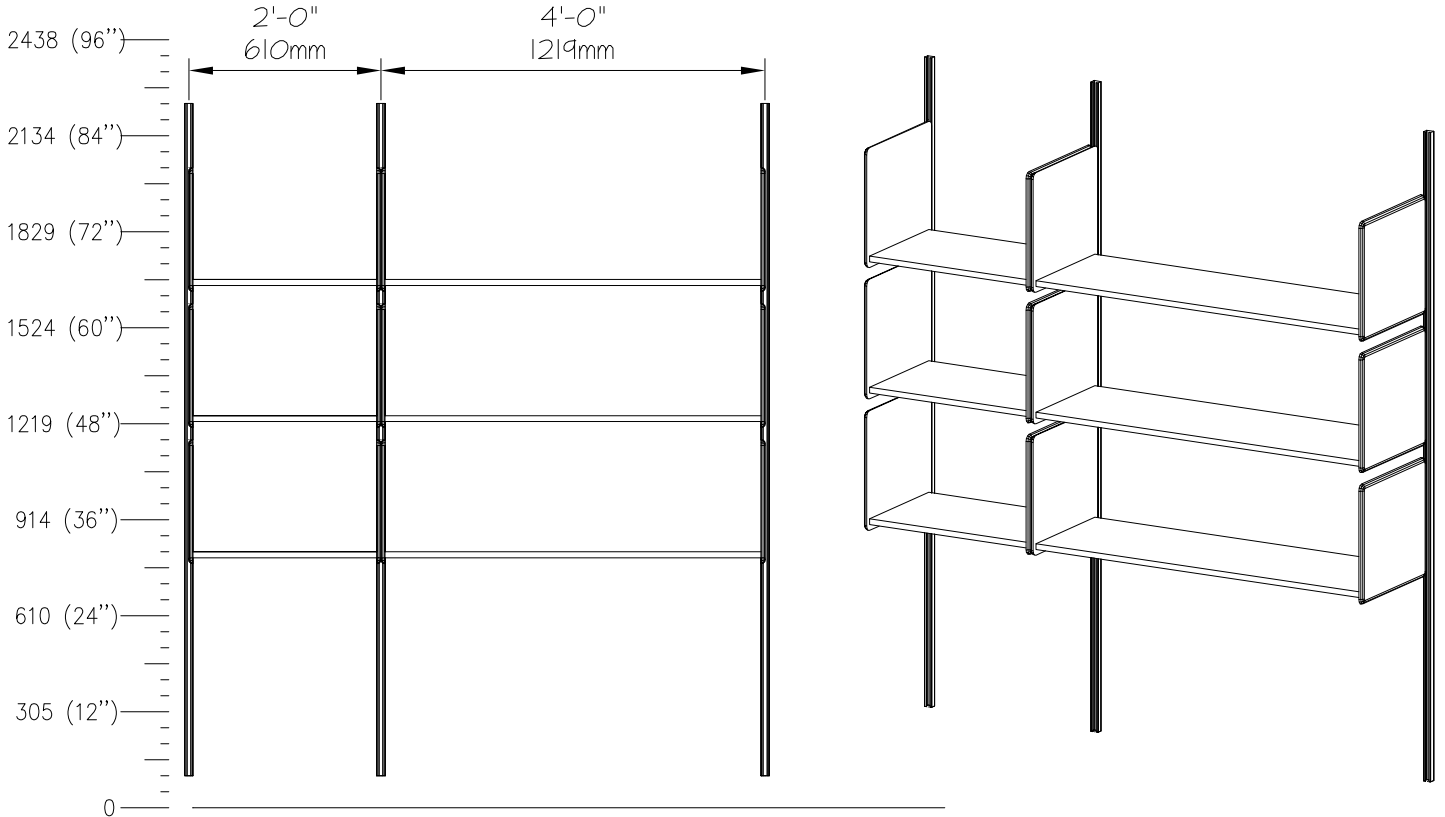


SCALE: 1/2"=1'-0"

<u>QTY</u>	<u>DESCRIPTION</u>
2	Vertical Hanging Strip
3	Shelf
1	2 Drawer Freestanding Lateral File Shelf Dividers

E0836

STORAGE, SHELVES, WALL MTD, 16x72

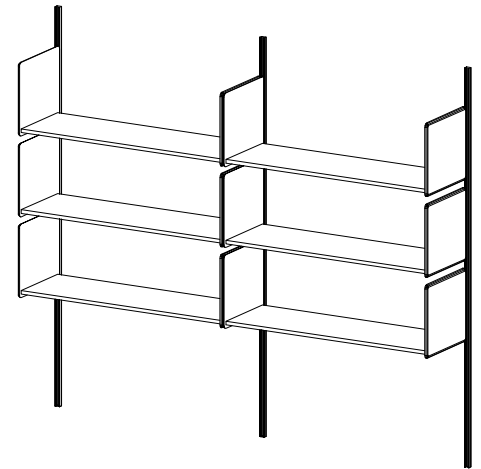
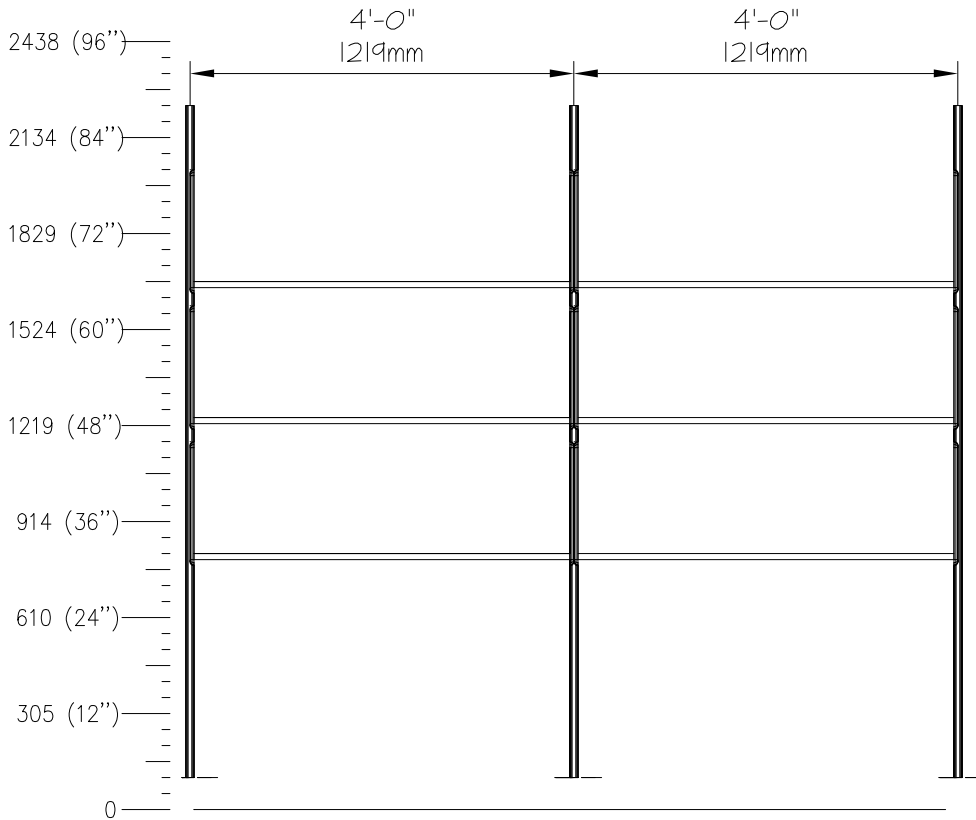


SCALE: 1/2"=1'-0"

QTY	DESCRIPTION
3	Vertical Hanger Strip
6	Extra Deep Shelves for Storage w/Open Space Below for Freestanding Equipment

E0839

STORAGE,SHELVES,WALL MTD,16x96

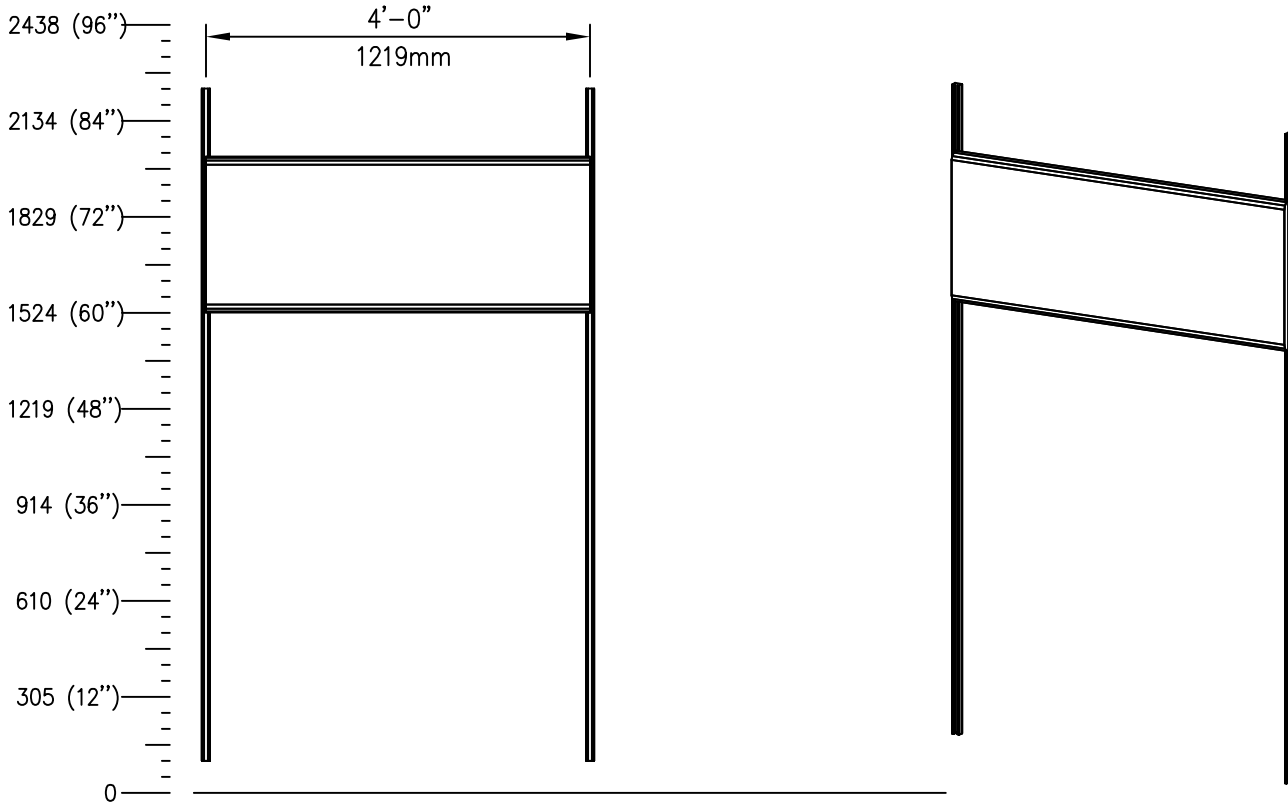


SCALE: 1/2"=1'-0"

<u>QTY</u>	<u>DESCRIPTION</u>
3	Vertical Hanger Strip
1	Extra Deep Shelves for Storage w/Open Space Below for Freestanding Equipment

E0851

DISPLAY, TKBD & MKBD, WALL MTD, 48



<u>QTY</u>	<u>DESCRIPTION</u>
2	Vertical Hanger Strip
1	Tackboard