



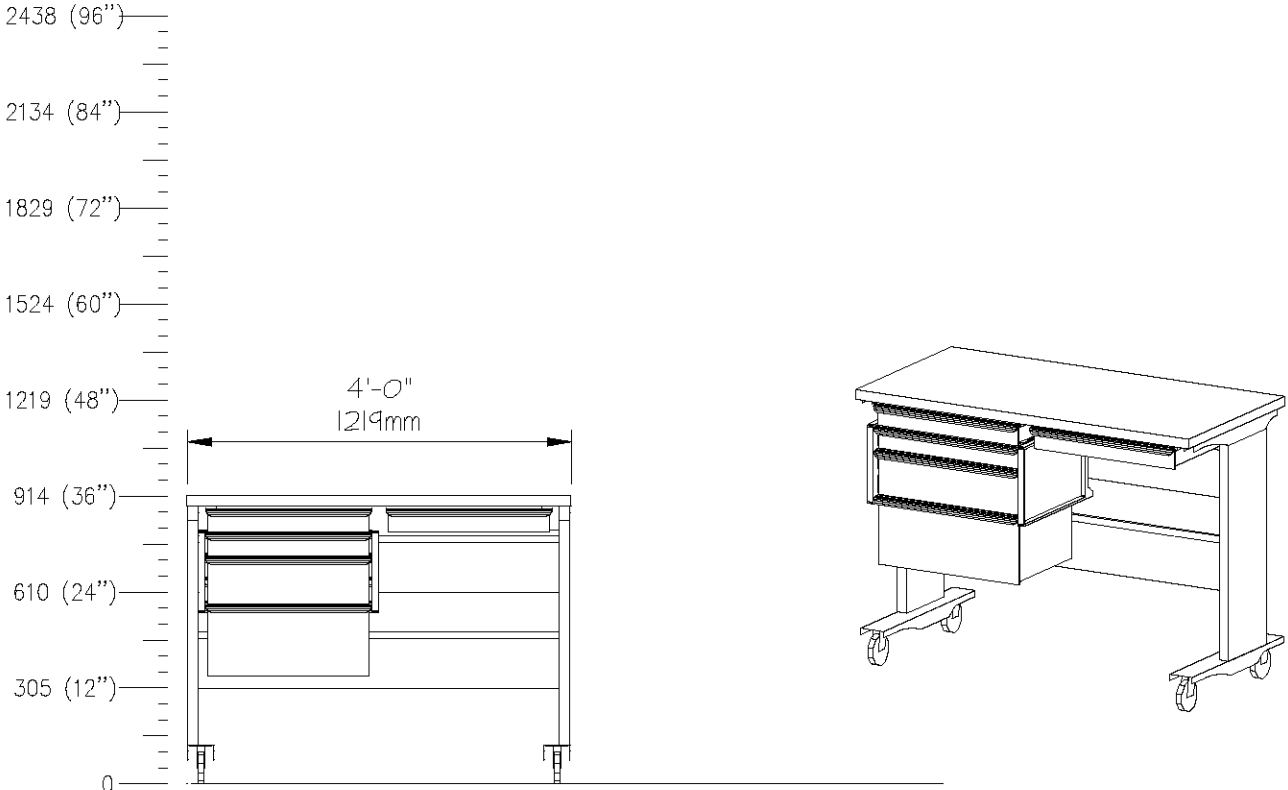
DEPARTMENT OF DEFENSE (DOD)

Joint Schedule Numbers (JSNs)

JUNE 2018

E0703

PROCESS TABLES,5 DWR,24Dx48"W,ADJHT

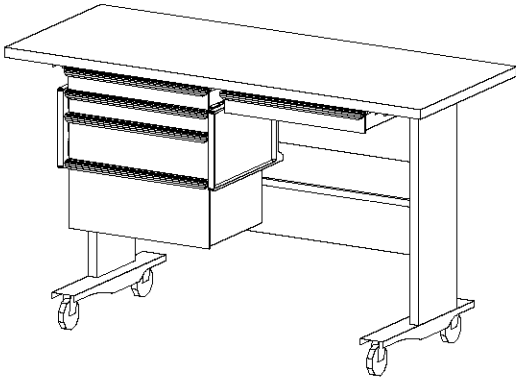
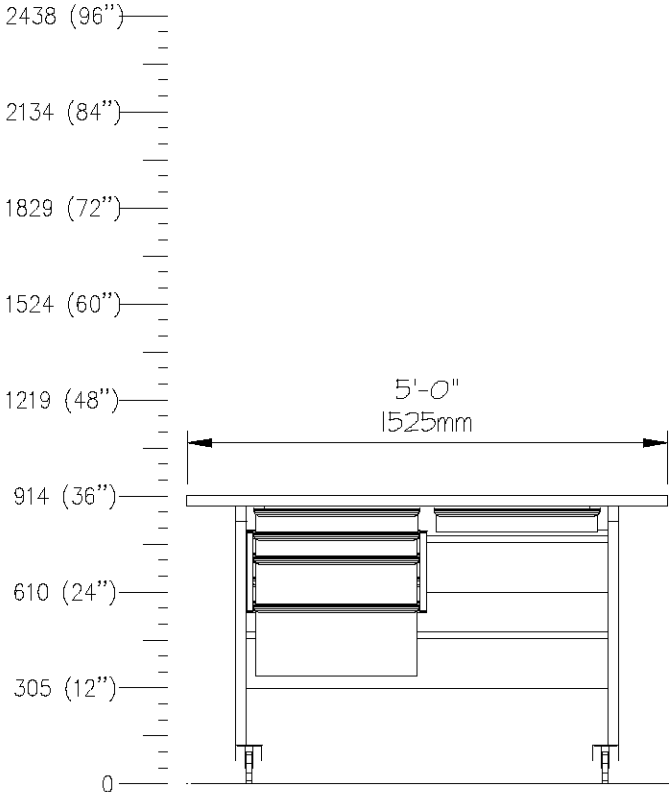


SCALE: 1/2"=1'-0"

QTY	DESCRIPTION
1	Height Adjustable Table
1	Storage Frame
3	Drawer, 3"H (76mm)
1	Drawer, 6"H (152mm)
1	Drawer, 9"H (229mm)
	Drawer Organizer Bins

E0706

PROCESS TABLE, 5 DWR, 24Dx60W, ADJHT

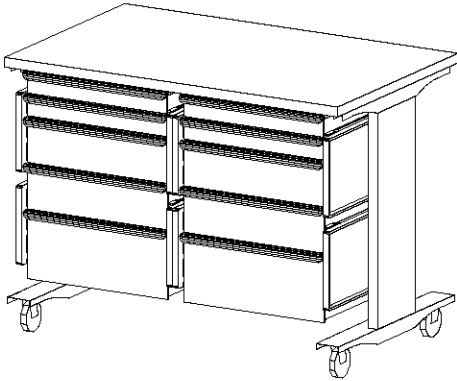
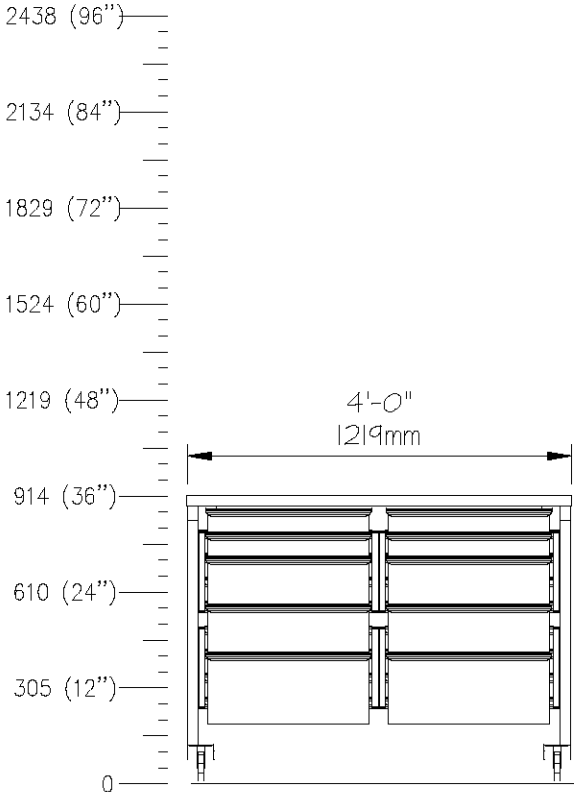


SCALE: 1/2"=1'-0"

QTY	DESCRIPTION
1	Height Adjustable Table
1	Storage Frame
3	Drawer, 3"H (76mm)
1	Drawer, 6"H (152mm)
1	Drawer, 9"H (229mm)
	Drawer Organizer Bins

E0709

PROCESS TABLE, 10 DWR, 30Dx48W, ADJHT

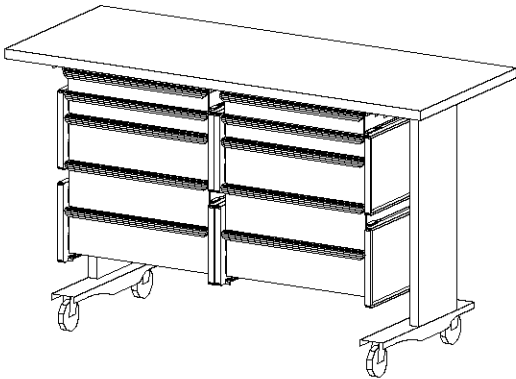
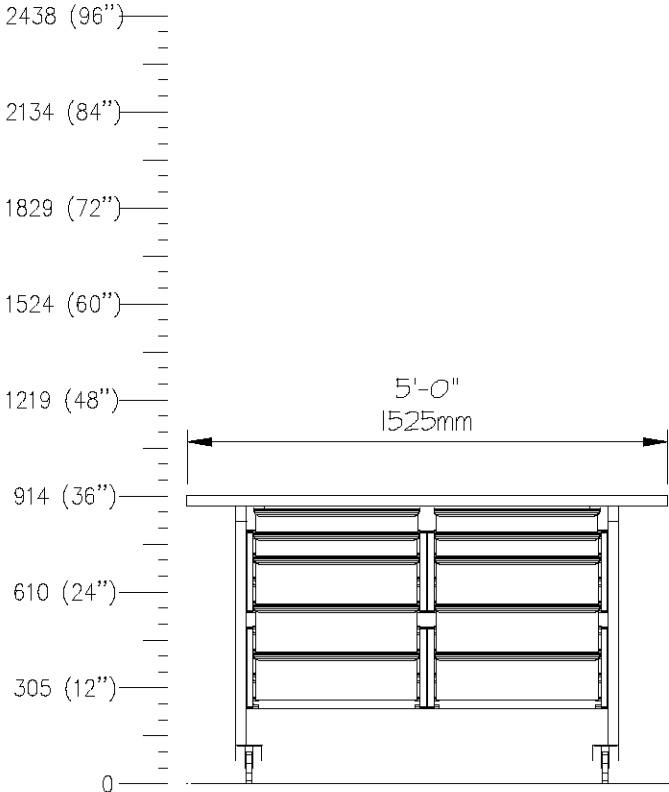


SCALE: 1/2"=1'-0"

QTY	DESCRIPTION
1	Height Adjustable Table
4	Storage Frame
4	Drawer, 3"H (76mm)
4	Drawer, 6"H (152mm)
2	Drawer, 9"H (229mm)
	Drawer Organizer Bins

E0712

PROCESS TABLE,10 DWR,24Dx60W,ADJHT

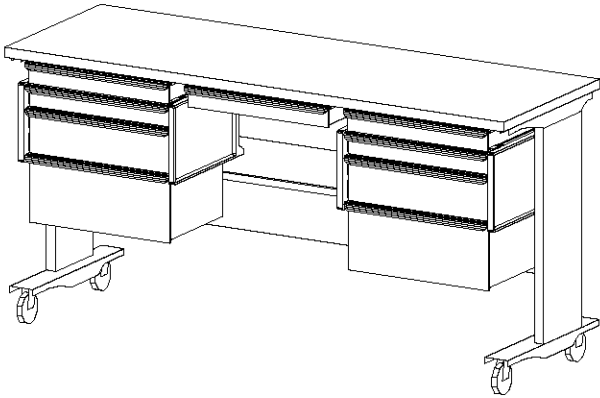
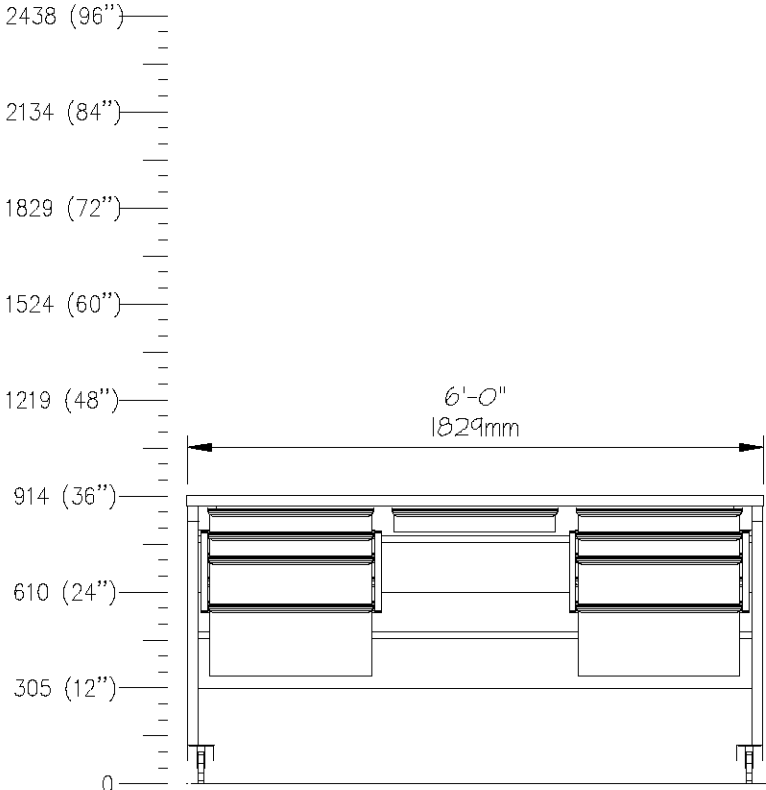


SCALE: 1/2"=1'-0"

QTY	DESCRIPTION
1	Height Adjustable Table
4	Storage Frame
4	Drawer, 3"H (76mm)
6	Drawer, 6"H (152mm)
	Drawer Organizer Bins

E0715

PROCESS TABLE,10 DWR,24Dx60W,ADJHT

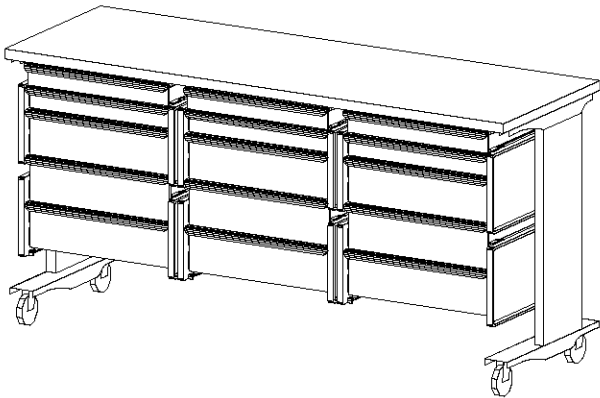
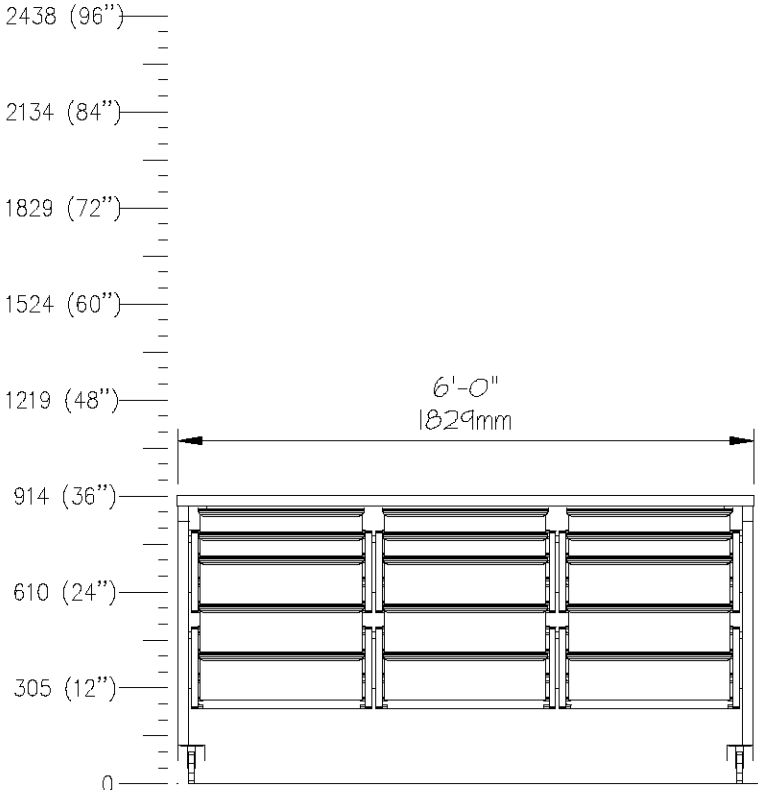


SCALE: 1/2"=1'-0"

QTY	DESCRIPTION
1	Height Adjustable Table
2	Storage Frame
5	Drawer, 3"H (76mm)
2	Drawer, 6"H (152mm)
2	Drawer, 9"H (229mm)
	Drawer Organizer Bins

E0718

PROCESS TABLE, 15 DWR, 24Dx72W, ADJHT

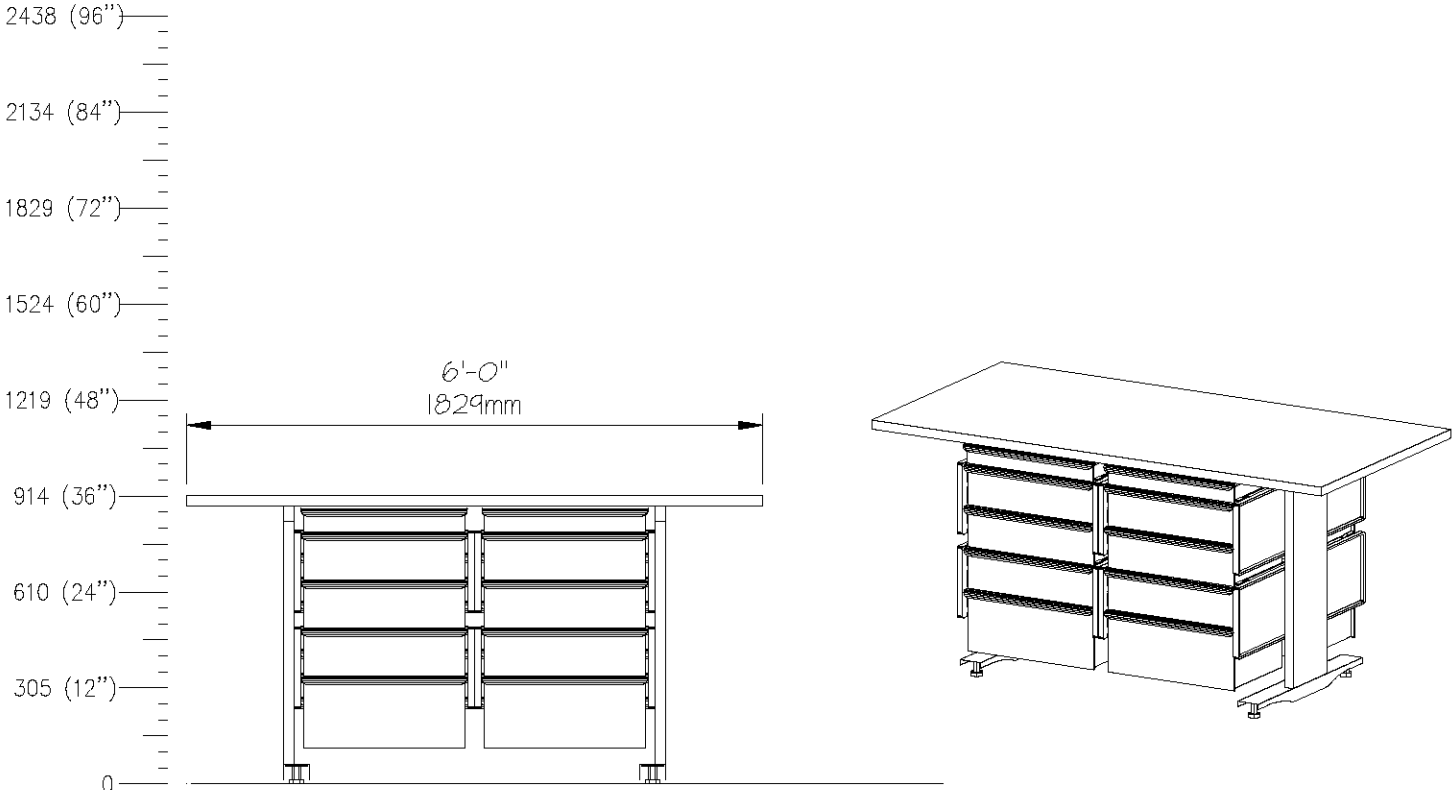


SCALE: 1/2"=1'-0"

QTY	DESCRIPTION
1	Height Adjustable Table
6	Storage Frame
6	Drawer, 3"H (76mm)
9	Drawer, 6"H (229mm)
	Drawer Organizer Bins

E0721

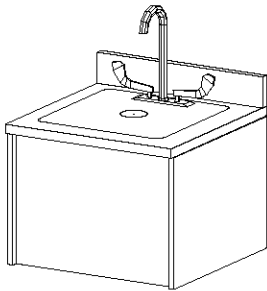
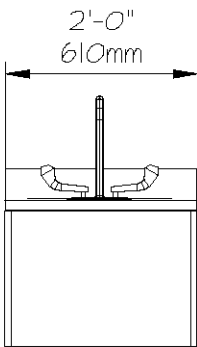
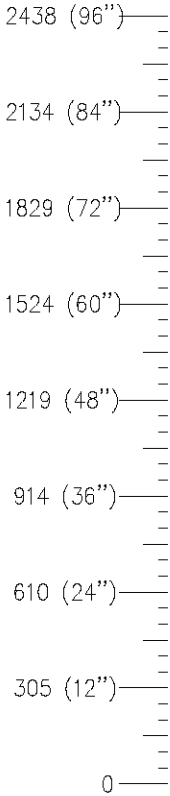
PROCESS TABLE,10 DWR,36Dx72W,ADJHT



QTY	DESCRIPTION
1	Height Adjustable Table
8	Storage Frame
4	Drawer, 3"H (76mm)
12	Drawer, 6"H (152mm)
4	Drawer, 9"H (229mm)
	Drawer Organizer Bins

E0751

SINKS,CANTILEVERED,WALL MTD,24x24

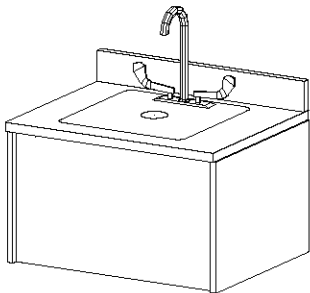
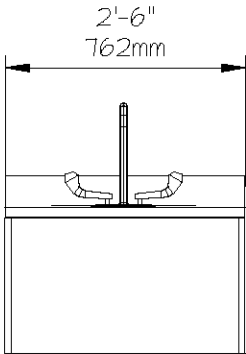
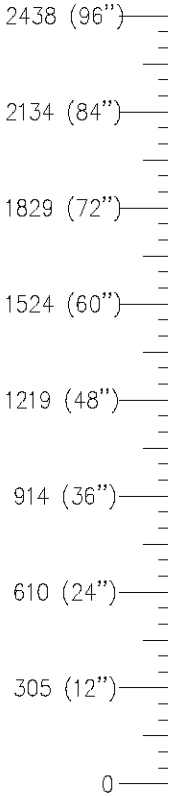


SCALE: 1/2"=1'-0"

<u>QTY</u>	<u>DESCRIPTION</u>
1	Cantilevered, Sink Adaptable Work Surface w/Attached Backsplash With Corian Top

E0754

SINKS,CANTILEVERED,WALL MTD,24x30

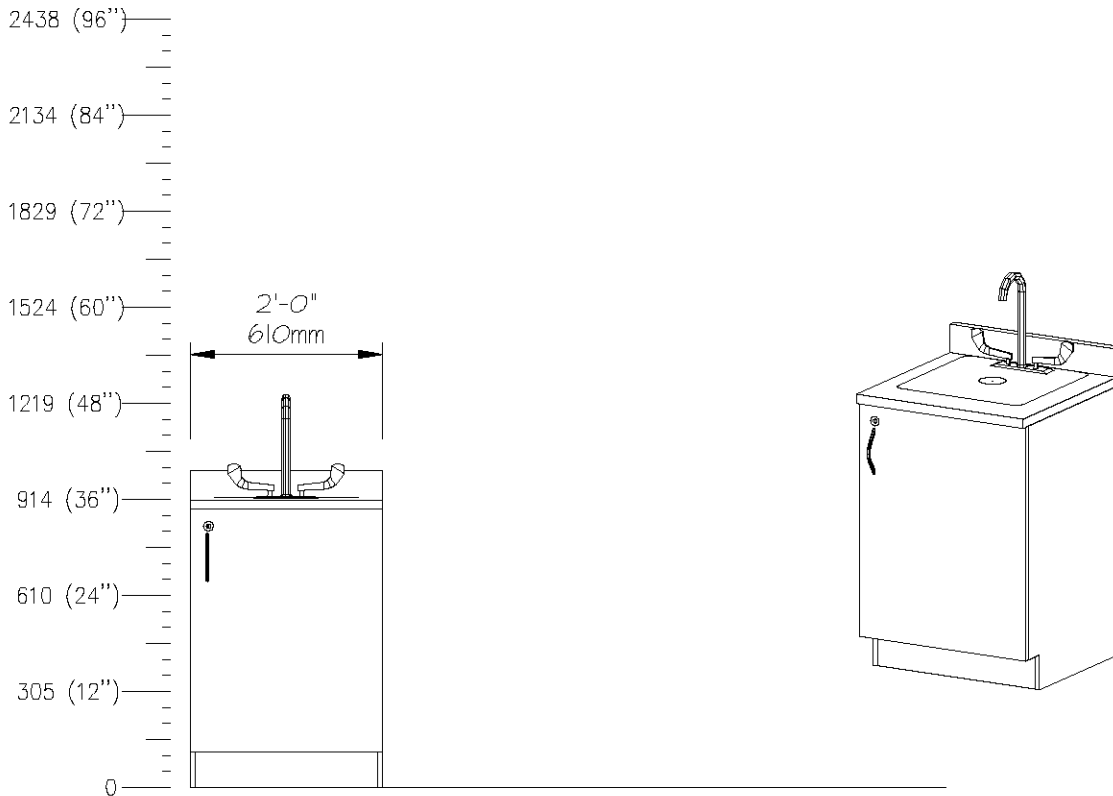


SCALE: 1/2"=1'-0"

QTY	DESCRIPTION
1	Cantilevered, Sink Adaptable Work Surface w/Attached Backsplash With Corian Top

E0766

SINK,CABINET,WALL MTD,24x24

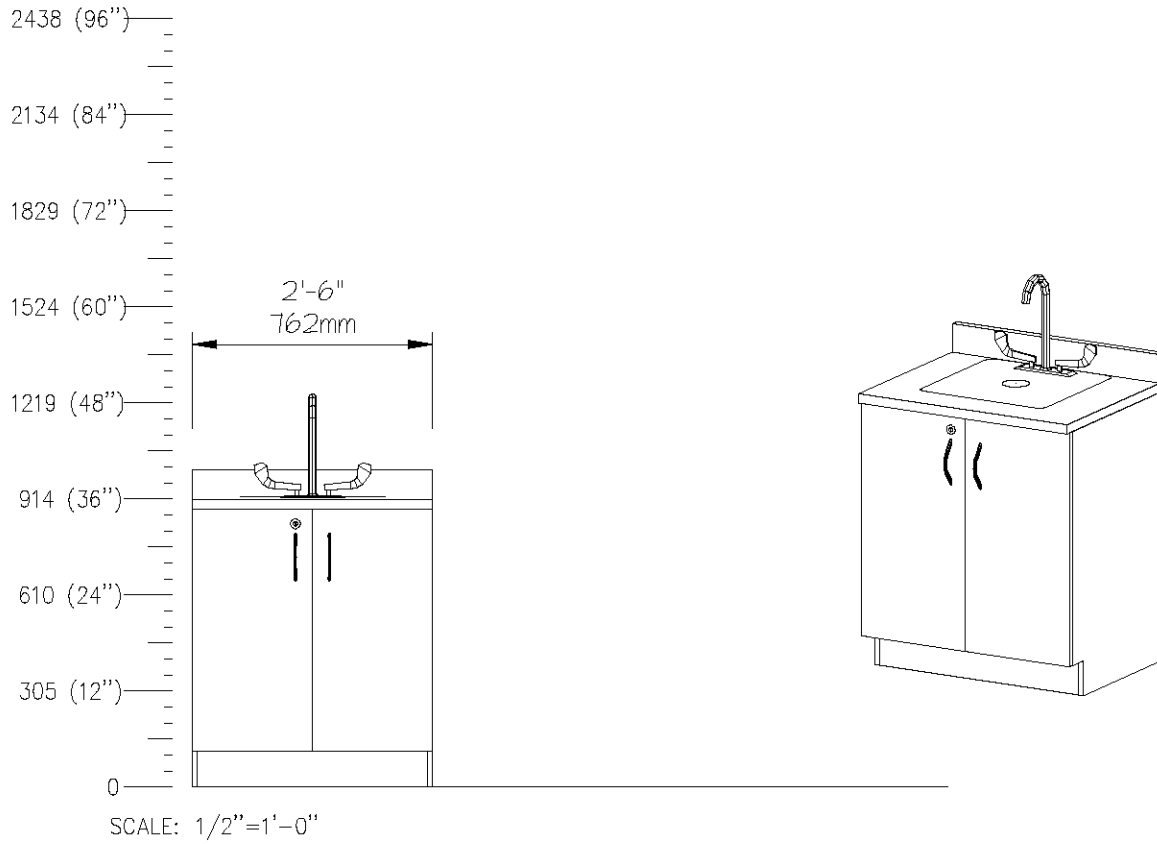


SCALE: 1/2"=1'-0"

QTY	DESCRIPTION
1	Freestanding, Sink Adaptable Cabinet w/Integral Backsplash With Corian Top

E0769

SINK,CABINET,WALL MTD,24x30



SCALE: 1/2"=1'-0"

QTY

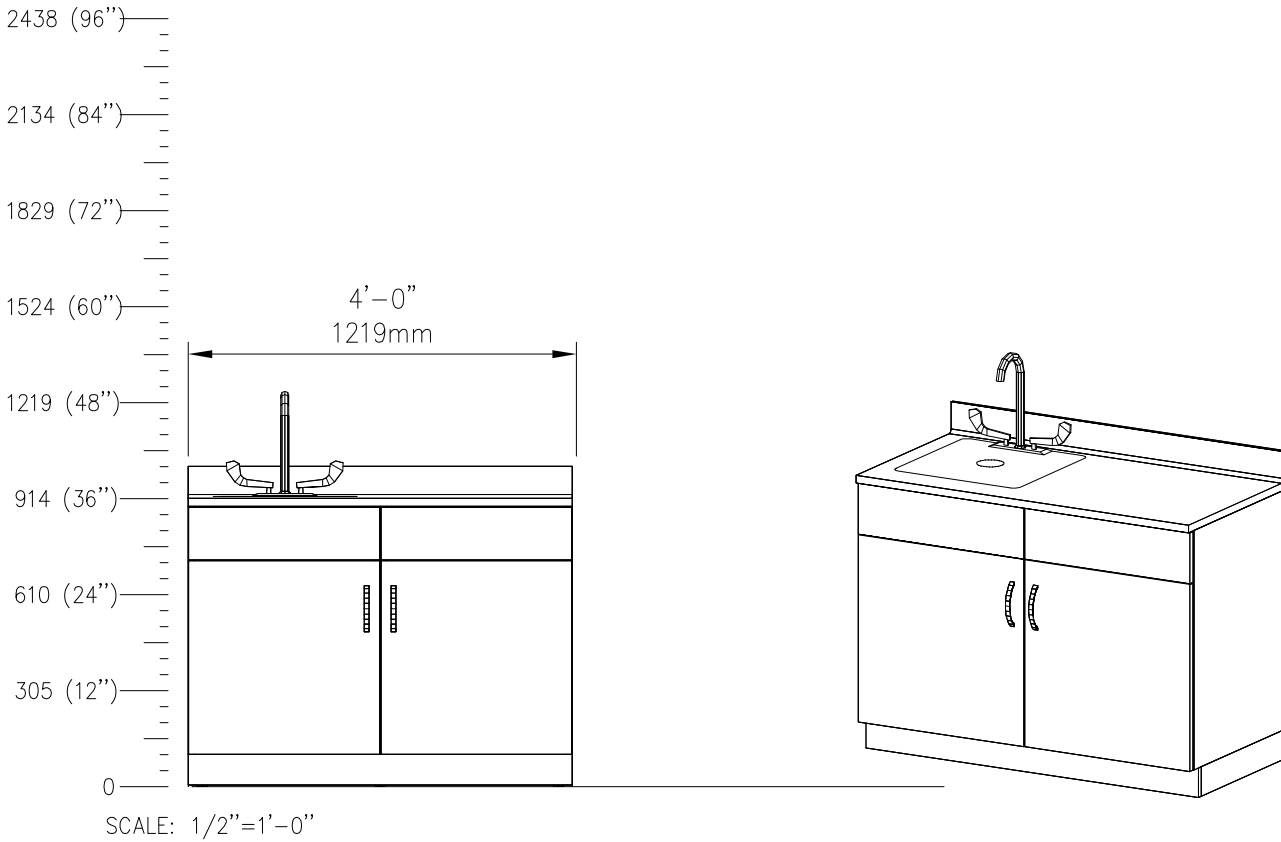
DESCRIPTION

1

Freestanding, Sink Adaptable Cabinet w/Integral Backsplash
With Corian Top

E0772

SINK,CABINET,WALL MTD,24x48



QTY

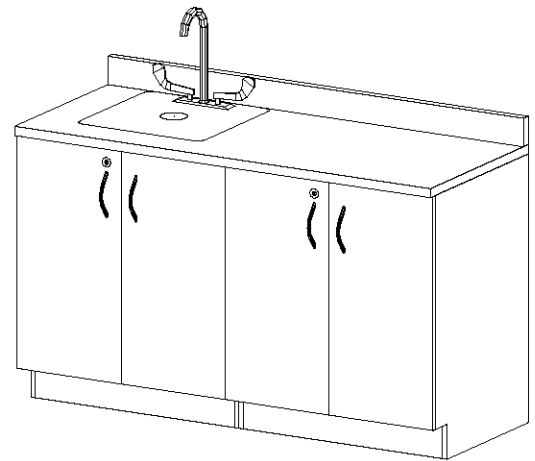
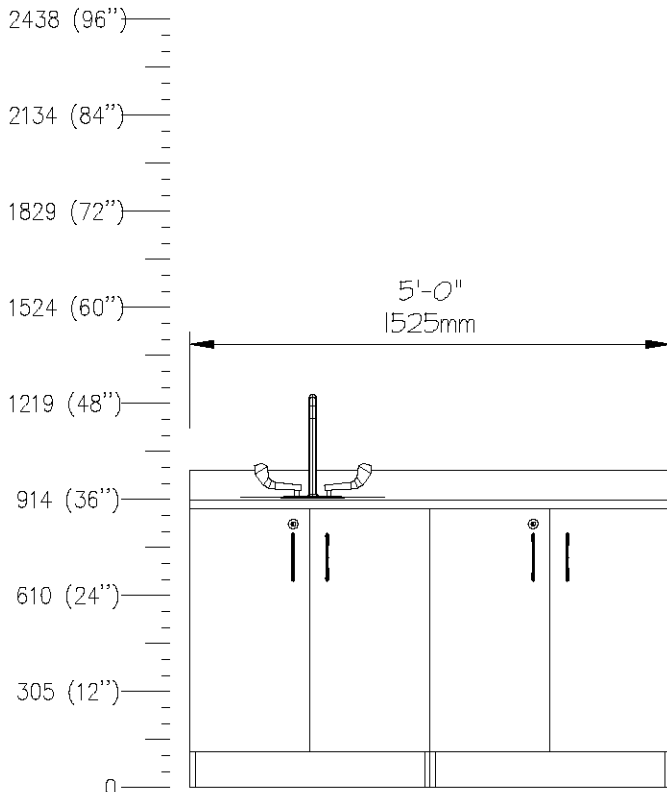
1

DESCRIPTION

Freestanding, Sink Adaptable Cabinet w/Integral Backsplash
With Corian Top

E0775

SINK, CABINET, WALL MTD, 24x60

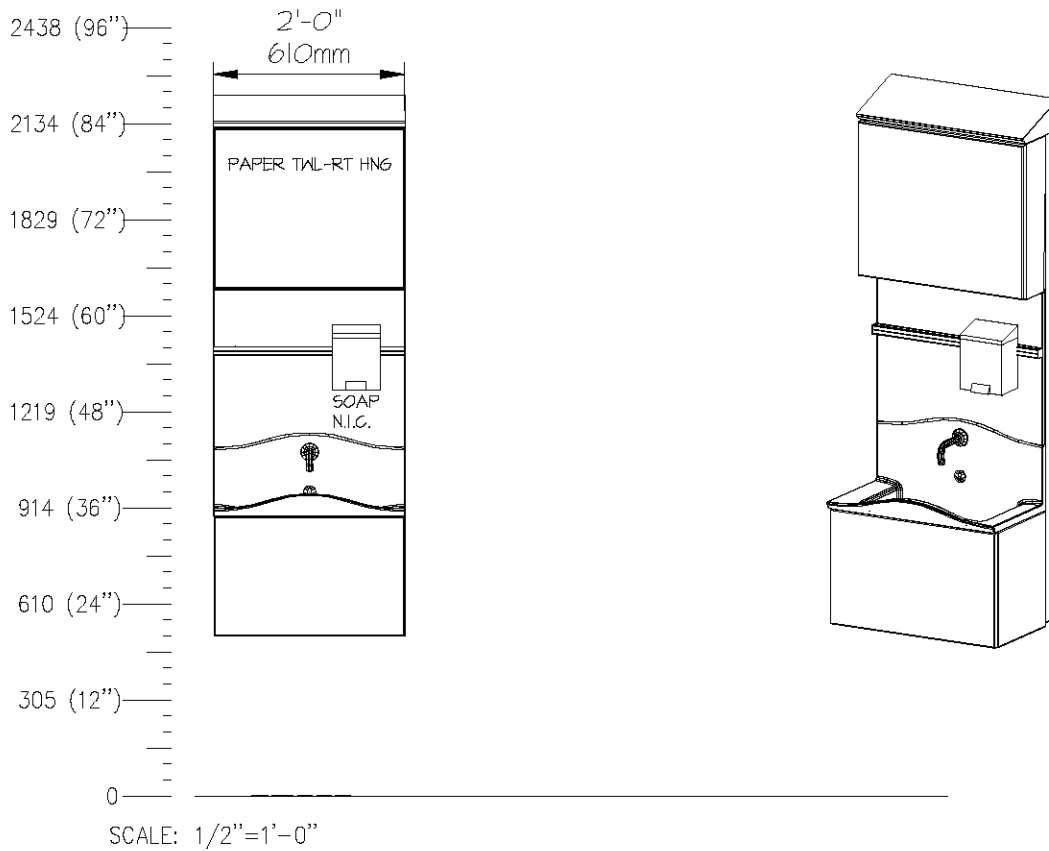


SCALE: 1/2"=1'-0"

<u>QTY</u>	<u>DESCRIPTION</u>
1	Freestanding, Sink Adaptable Cabinet w/Integral Backsplash With Corian Top

E0777

SINK, WALL MTD, 13Dx24W



QTY	DESCRIPTION
2	Wall Rail, 24"W (610mm)
1	Pkg Wall Anchors
2	Rail-Attached Stile, 64"H (1626mm)
1	Stile Lockdown
1	Above Sink Tile, 20"H (508mm)
1	Sink, Corian, 13"D (330mm), 24"W (610mm)
1	Sink Enclosure, 13"D (330mm), 24"W (610mm)
1	Faucet, w/AC Powered Faucet Sensor
1	Paper Towel Cabinet, 24"W (610mm)
1	Close-Out Side, Left
1	Close-Out Side, Right
1	Cabinet Top, Sloped, 24"W (610mm)
1	Equipment Rail, 24"W (610mm)
1	Rail Adapter, Accessory