



Prices effective July 5, 2023

Published January 2024

Nemschoff^{FC}® Easton Family

Introduction	page 2
Nemschoff® Easton Seating	5
Easy Access Chair	5
Patient Chair	7
Plus Chair	9
Side Chair	11
Three Seat	13
Two Seat	15
Nemschoff® Easton Tables	17
Spanner Table	17
Spanner Corner Table	19
Side Table	21
Coffee Table	23
Indices	25
By Name	25
By Number	27
Appendices	
20-Day or Less/Assigned Lead-Time Order Information	

Introduction

A Note on the Organization of This Book

There are a few signals that will help you understand the organization of this book. Once you know them, you should be able to find your way around easily.

Like a newspaper, this book is formatted with columns of text and illustrations that run vertically.

Information wraps from one column to the next and continues for as many pages as it needs to.

Black bars are clues.

A black bar at the top of a page signals the start of information about a product.

This information is divided into two sections, each signaled by a black bar. Product Information includes a description, additional notes, and dimensional drawings. Specification Information, which always begins at the top of a column, includes a series of steps. Each step represents a decision you need to make in order to complete your product number. Steps must be followed sequentially. The number of pages needed to complete information on a product varies; some will be complete in one page; others may fill three or four pages. Just continue going through the steps until you run into the next product, signaled by the black bar at the top of the page.

Black tabs running along the outside edge of the page help you locate what section you are in or what section you want to go to. You can thumb forwards or backwards to find a section; tabs and text appear on both sides of the page.

The additional pages in the back of the book include the appendices and indices. They are signaled by a long black bar running along the outside edge of the page.

The index is presented two ways.

The first index is in alphabetical order by product name. It can be helpful if you are new to the products and numbering scheme or if you are looking for a type of product, such as work chair or round table.

The second index is by product number. It lists, in alphanumeric order, the base product number, typically a five-digit number.

General Information

This book is effective July 5, 2023, subject to change without notice. Products may be purchased from authorized Herman Miller dealers who will quote prices upon request. For more information about our products and services or to see a list of dealers, visit www.HermanMiller.com.


All prices are list prices. Additional services, such as planning services, design, storage, and installation, are not included and must be added to these prices when the additional services are requested.


Illustrations, specifications, and prices are based on the latest information at the time of publication. The right is reserved to make changes at any time without notice in prices, fabrics, finishes, materials, specifications, and models, and also to discontinue models and finishes.

Dimensions shown in the drawings are engineering drawing dimensions rounded up to the nearest $\frac{1}{8}$ ". Product is shipped set up or knocked down. Products that include "Shipped knocked down" in the description require some assembly. If this statement does not appear in the description, the product is shipped assembled.

Service problems are normally handled by a Herman Miller authorized dealer. Where this cannot be accomplished on a local level, service problems should be referred to the Customer Care Representative for your region, Herman Miller, Inc., Zeeland, Michigan 49464.

20-Day or Less/Assigned Lead-Time Shipments

All products and options in this price book not designated by an Assigned Program icon  will ship in **20 business days or less** after being acknowledged by Herman Miller.

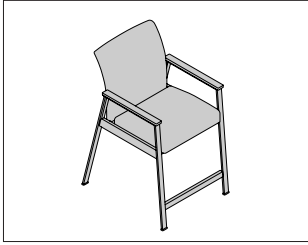
Products and options designated by an  are on the assigned lead-time program and may ship in 20 days, less than 20 days, or more than 20 days from order acknowledgement.

Seating

Tables

Nemschoff Easton Easy Access
Chair

897-1



Product Information

Description

Features:

- Powder-coated metal frame
- Replaceable components
- Steel footrail
- Heavy-duty steel construction
- Urethane arm caps
- Clean-out design
- Wall-saver legs
- Non-marring glides
- Indoor Advantage™ Gold Certified

Notes

Depth—29¹/₄"

Height—41¹/₂"

Width—24¹/₄"

Seat Width—20¹/₄"

Seat Height—26"

Arm Height—31¹/₂"

Weight—43 lbs

COM yardage:

Single Fabric—1³/₄ yards for open arms or 2¹/₄ yards for closed arms

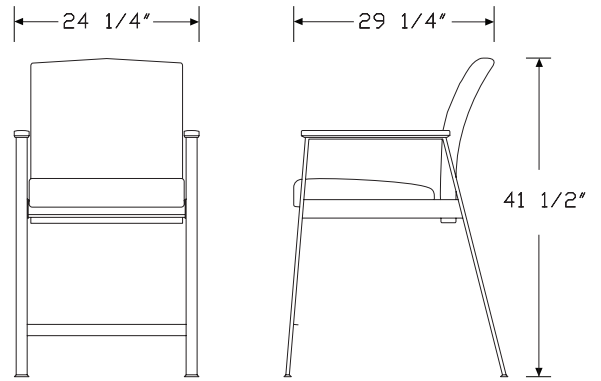
Multiple Fabrics:

Seat—1

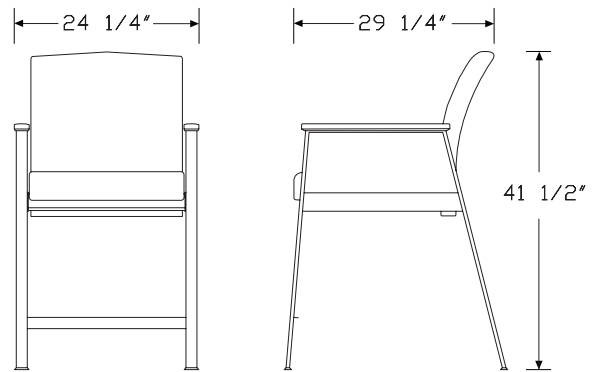
Back—1

Arm Panels—¹/₂

Dimensions



Open Arm



Closed Arm

Nemschoff Easton Easy Access Chair *continued*

Specification Information		
Step 1.		
897	A	
Step 2. Size		
-10EA	24.25" wide A	+\$1915
Step 3. Arm Type		
C	closed arm A	+\$335
O	open arms A	+\$0
Step 4. Covers		
P	removable covers A	+\$126
S	standard covers A	+\$0
Step 5. Fabric Configuration		
1F	one fabric A	+\$0
MF	multiple fabrics A	+\$122
Step 6. Arm Cap Detail		
K	solid surface arm caps A	+\$300
R	urethane arm caps A	+\$0
Step 7. Arm Cap Finish		
<i>For urethane arm caps (R)</i>		
BK	black A	+\$0
SG	slate grey A	+\$0
<i>For solid surface arm caps (K)</i>		
58	cameo white A	+\$0
ANC	antarctica A	+\$0
CQ	glacier white A	+\$0
QB	bisque A	+\$0
SVG	silver gray A	+\$0
Step 8. Powdercoat Finish		
BK	black A	+\$0
G1	graphite A	+\$0
MSS	metallic silver smooth A	+\$0
MST	metallic silver textured A	+\$0
XTS	titanium smooth A	+\$0
XTT	titanium textured A	+\$0

Step 9. Moisture Barrier Option		
MBB	moisture barrier back only A	+\$75
MBN	no moisture barrier A	+\$0
MBS	moisture barrier seat only A	+\$75
MBX	moisture barrier seat and back A	+\$150

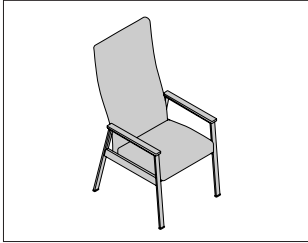
Step 10. MicrobeCare Selection		
MCN	no MicrobeCare protection A	+\$0
MCY	MicrobeCare protection A	+\$50

Step 11.		
Fabric		
<i>For one fabric (1F)</i>		
Price Category (Nemschoff) Series 3		+\$0
Price Category (Nemschoff) Series 4		+\$102
Price Category (Nemschoff) Series 5		+\$209
Price Category (Nemschoff) Series 6		+\$335
Price Category (Nemschoff) Series 7		+\$462
Price Category (Nemschoff) Series 8		+\$621

Seat Fabric		
<i>For multiple fabrics (MF)</i>		
Price Category (Nemschoff) Series 3		+\$0
Price Category (Nemschoff) Series 4		+\$75
Price Category (Nemschoff) Series 5		+\$147
Price Category (Nemschoff) Series 6		+\$232
Price Category (Nemschoff) Series 7		+\$316
Price Category (Nemschoff) Series 8		+\$421

Step 12. Back Fabric		
<i>For multiple fabrics (MF)</i>		
Price Category (Nemschoff) Series 3		+\$0
Price Category (Nemschoff) Series 4		+\$69
Price Category (Nemschoff) Series 5		+\$132
Price Category (Nemschoff) Series 6		+\$205
Price Category (Nemschoff) Series 7		+\$284
Price Category (Nemschoff) Series 8		+\$375

Step 13. Arm Fabric		
<i>For closed arm (C) with multiple fabrics (MF)</i>		
Price Category (Nemschoff) Series 3		+\$0
Price Category (Nemschoff) Series 4		+\$44
Price Category (Nemschoff) Series 5		+\$90
Price Category (Nemschoff) Series 6		+\$144
Price Category (Nemschoff) Series 7		+\$199
Price Category (Nemschoff) Series 8		+\$268



Product Information

Description

Features:

- Powder-coated metal frame
- Replaceable components
- Heavy-duty steel construction
- Urethane arm caps
- Clean-out design
- Wall-saver legs
- Non-marring glides
- Indoor Advantage™ Gold Certified

Notes

Only gangs to spanner and corner spanner tables with open arms selected.

Depth—26³/₄"

Height—48"

Width—24¹/₄"

Seat Width—20¹/₄"

Seat Height—19"

Arm Height—25¹/₄"

Weight—42 lbs

COM yardage:

Single Fabric—2 yards for open arms or 2¹/₂ yards for closed arms

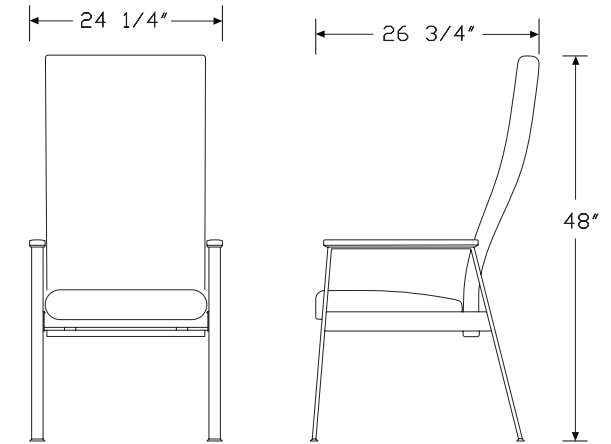
Multiple Fabrics:

Seat—1

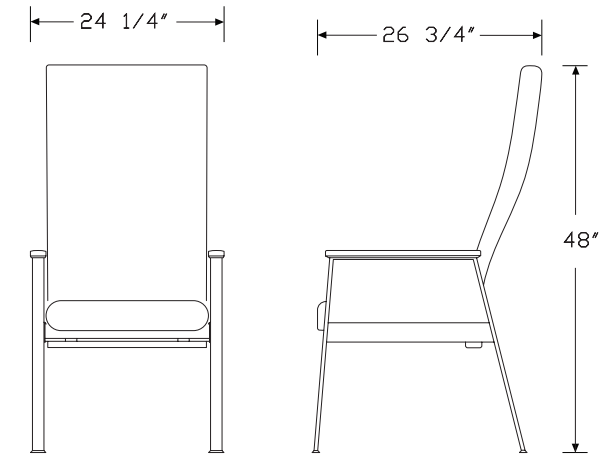
Back—1³/₄

Arm Panels—¹/₂

Dimensions



Open Arm



Closed Arm

Nemschoff Easton Patient Chair

continued

Nemschoff® Easton Seating

Specification Information		
Step 1.		
897	<input type="checkbox"/>	
Step 2. Size		
-51	24.25" wide <input type="checkbox"/>	+\$1656
Step 3. Arm Type		
C	closed arm <input type="checkbox"/>	+\$335
O	open arms <input type="checkbox"/>	+\$0
Step 4. Covers		
P	removable covers <input type="checkbox"/>	+\$140
S	standard covers <input type="checkbox"/>	+\$0
Step 5. Fabric Configuration		
1F	one fabric <input type="checkbox"/>	+\$0
MF	multiple fabrics <input type="checkbox"/>	+\$122
Step 6. Arm Cap Detail		
K	solid surface arm caps <input type="checkbox"/>	+\$300
R	urethane arm caps <input type="checkbox"/>	+\$0
Step 7. Arm Cap Finish		
<i>For urethane arm caps (R)</i>		
BK	black <input type="checkbox"/>	+\$0
SG	slate grey <input type="checkbox"/>	+\$0
<i>For solid surface arm caps (K)</i>		
58	cameo white <input type="checkbox"/>	+\$0
ANC	antarctica <input type="checkbox"/>	+\$0
CQ	glacier white <input type="checkbox"/>	+\$0
QB	bisque <input type="checkbox"/>	+\$0
SVG	silver gray <input type="checkbox"/>	+\$0
Step 8. Powdercoat Finish		
BK	black <input type="checkbox"/>	+\$0
G1	graphite <input type="checkbox"/>	+\$0
MSS	metallic silver smooth <input type="checkbox"/>	+\$0
MST	metallic silver textured <input type="checkbox"/>	+\$0
XTS	titanium smooth <input type="checkbox"/>	+\$0
XTT	titanium textured <input type="checkbox"/>	+\$0

Step 9. Moisture Barrier Option		
MBB	moisture barrier back only <input type="checkbox"/>	+\$75
MBN	no moisture barrier <input type="checkbox"/>	+\$0
MBS	moisture barrier seat only <input type="checkbox"/>	+\$75
MBX	moisture barrier seat and back <input type="checkbox"/>	+\$150

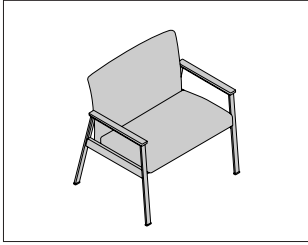
Step 10. MicrobeCare Selection		
MCN	no MicrobeCare protection <input type="checkbox"/>	+\$0
MCY	MicrobeCare protection <input type="checkbox"/>	+\$75

Step 11.		
Fabric		
<i>For one fabric (1F)</i>		
	Price Category (Nemschoff) Series 3	+\$0
	Price Category (Nemschoff) Series 4	+\$117
	Price Category (Nemschoff) Series 5	+\$239
	Price Category (Nemschoff) Series 6	+\$384
	Price Category (Nemschoff) Series 7	+\$530
	Price Category (Nemschoff) Series 8	+\$713

Seat Fabric		
<i>For multiple fabrics (MF)</i>		
	Price Category (Nemschoff) Series 3	+\$0
	Price Category (Nemschoff) Series 4	+\$75
	Price Category (Nemschoff) Series 5	+\$147
	Price Category (Nemschoff) Series 6	+\$232
	Price Category (Nemschoff) Series 7	+\$316
	Price Category (Nemschoff) Series 8	+\$421

Step 12. Back Fabric		
<i>For multiple fabrics (MF)</i>		
	Price Category (Nemschoff) Series 3	+\$0
	Price Category (Nemschoff) Series 4	+\$120
	Price Category (Nemschoff) Series 5	+\$231
	Price Category (Nemschoff) Series 6	+\$361
	Price Category (Nemschoff) Series 7	+\$496
	Price Category (Nemschoff) Series 8	+\$657

Step 13. Arm Fabric		
<i>For closed arm (C) with multiple fabrics (MF)</i>		
	Price Category (Nemschoff) Series 3	+\$0
	Price Category (Nemschoff) Series 4	+\$44
	Price Category (Nemschoff) Series 5	+\$90
	Price Category (Nemschoff) Series 6	+\$144
	Price Category (Nemschoff) Series 7	+\$199
	Price Category (Nemschoff) Series 8	+\$268



Product Information

Description

Features:

- Powder-coated metal frame
- Replaceable components
- Heavy-duty steel construction
- Urethane arm caps
- Clean-out design
- Wall-saver legs
- Non-marring glides
- Indoor Advantage™ Gold Certified

Notes

Only gangs to spanner and corner spanner tables with open arms selected.

Depth—26³/₄"

Height—35¹/₄"

Width—34"

Seat Width—30"

Seat Height—19"

Arm Height—25¹/₄"

Weight—47 lbs

COM yardage:

Single Fabric—2³/₄ yards for open arms or 3¹/₄ yards for closed arms

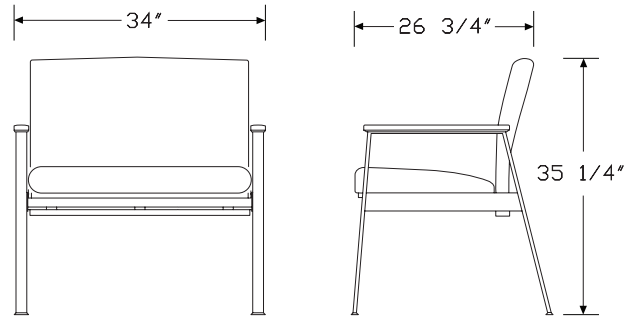
Multiple Fabrics:

Seat—1

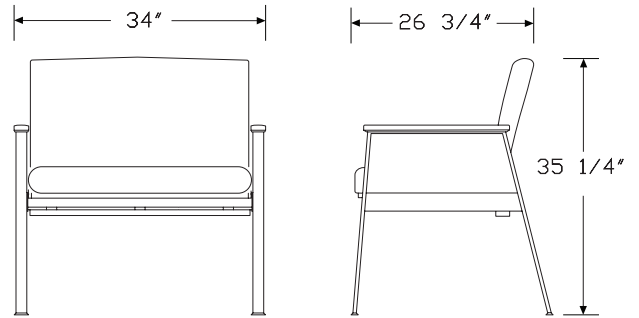
Back—1³/₄

Arm Panels—¹/₂

Dimensions



Open Arm



Closed Arm

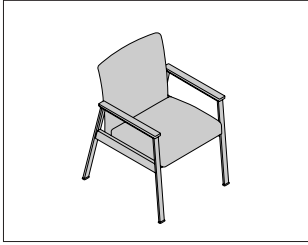
Nemschoff Easton Plus Chair

continued

Nemschoff® Easton Seating

Specification Information		
Step 1.		
897	<input type="checkbox"/>	
Step 2. Size		
-OB30	34" wide <input type="checkbox"/>	+\$1871
Step 3. Arm Type		
C	closed arm <input type="checkbox"/>	+\$335
O	open arms <input type="checkbox"/>	+\$0
Step 4. Covers		
P	removable covers <input type="checkbox"/>	+\$175
S	standard covers <input type="checkbox"/>	+\$0
Step 5. Fabric Configuration		
1F	one fabric <input type="checkbox"/>	+\$0
MF	multiple fabrics <input type="checkbox"/>	+\$122
Step 6. Arm Cap Detail		
K	solid surface arm caps <input type="checkbox"/>	+\$300
R	urethane arm caps <input type="checkbox"/>	+\$0
Step 7. Arm Cap Finish		
<i>For urethane arm caps (R)</i>		
BK	black <input type="checkbox"/>	+\$0
SG	slate grey <input type="checkbox"/>	+\$0
<i>For solid surface arm caps (K)</i>		
58	cameo white <input type="checkbox"/>	+\$0
ANC	antarctica <input type="checkbox"/>	+\$0
CQ	glacier white <input type="checkbox"/>	+\$0
QB	bisque <input type="checkbox"/>	+\$0
SVG	silver gray <input type="checkbox"/>	+\$0
Step 8. Powdercoat Finish		
BK	black <input type="checkbox"/>	+\$0
G1	graphite <input type="checkbox"/>	+\$0
MSS	metallic silver smooth <input type="checkbox"/>	+\$0
MST	metallic silver textured <input type="checkbox"/>	+\$0
XTS	titanium smooth <input type="checkbox"/>	+\$0
XTT	titanium textured <input type="checkbox"/>	+\$0

Step 9. Moisture Barrier Option		
MBB	moisture barrier back only <input type="checkbox"/>	+\$75
MBN	no moisture barrier <input type="checkbox"/>	+\$0
MBS	moisture barrier seat only <input type="checkbox"/>	+\$75
MBX	moisture barrier seat and back <input type="checkbox"/>	+\$150
Step 10. MicrobeCare Selection		
MCN	no MicrobeCare protection <input type="checkbox"/>	+\$0
MCY	MicrobeCare protection <input type="checkbox"/>	+\$75
Step 11.		
Fabric		
<i>For one fabric (1F)</i>		
Price Category (Nemschoff) Series 3		+\$0
Price Category (Nemschoff) Series 4		+\$160
Price Category (Nemschoff) Series 5		+\$326
Price Category (Nemschoff) Series 6		+\$525
Price Category (Nemschoff) Series 7		+\$725
Price Category (Nemschoff) Series 8		+\$976
Seat Fabric		
<i>For multiple fabrics (MF)</i>		
Price Category (Nemschoff) Series 3		+\$0
Price Category (Nemschoff) Series 4		+\$73
Price Category (Nemschoff) Series 5		+\$148
Price Category (Nemschoff) Series 6		+\$234
Price Category (Nemschoff) Series 7		+\$322
Price Category (Nemschoff) Series 8		+\$434
Step 12. Back Fabric		
<i>For multiple fabrics (MF)</i>		
Price Category (Nemschoff) Series 3		+\$0
Price Category (Nemschoff) Series 4		+\$124
Price Category (Nemschoff) Series 5		+\$249
Price Category (Nemschoff) Series 6		+\$396
Price Category (Nemschoff) Series 7		+\$547
Price Category (Nemschoff) Series 8		+\$731
Step 13. Arm Fabric		
<i>For closed arm (C) with multiple fabrics (MF)</i>		
Price Category (Nemschoff) Series 3		+\$0
Price Category (Nemschoff) Series 4		+\$44
Price Category (Nemschoff) Series 5		+\$90
Price Category (Nemschoff) Series 6		+\$144
Price Category (Nemschoff) Series 7		+\$199
Price Category (Nemschoff) Series 8		+\$268



Product Information

Description

Features:

- Powder-coated metal frame
- Replaceable components
- Heavy-duty steel construction
- Urethane arm caps
- Clean-out design
- Wall-saver legs
- Non-marring glides
- Indoor Advantage™ Gold Certified

Notes

Only gangs to spanner and corner spanner tables with open arms selected.

Depth—26³/₄"

Height—35¹/₄"

Width—24¹/₄"

Seat Width—20¹/₄"

Seat Height—19"

Arm Height—25¹/₄"

Weight—39 lbs

COM yardage:

Single Fabric—1³/₄ yards for open arms or 2¹/₄ yards for closed arms

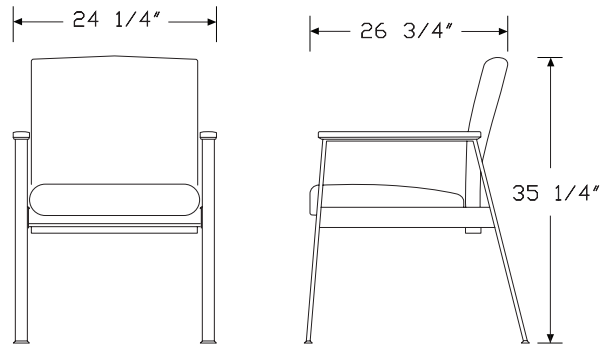
Multiple Fabrics:

Seat—1

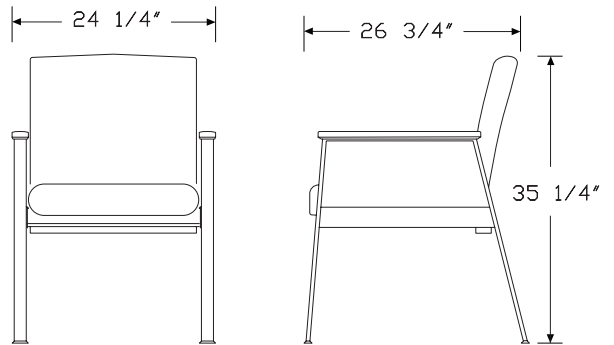
Back—1

Arm Panels—¹/₂

Dimensions



Side Chair - Open Arm



Side Chair - Closed Arm

Nemschoff Easton Side Chair

continued

Nemschoff® Easton Seating

Specification Information		
Step 1.		
897	<input type="checkbox"/> A	
Step 2. Size		
-10	24.25" wide <input type="checkbox"/> A	+\$1416
Step 3. Arm Type		
C	closed arm <input type="checkbox"/> A	+\$335
O	open arms <input type="checkbox"/> A	+\$0
Step 4. Covers		
P	removable covers <input type="checkbox"/> A	+\$126
S	standard covers <input type="checkbox"/> A	+\$0
Step 5. Fabric Configuration		
1F	one fabric <input type="checkbox"/> A	+\$0
MF	multiple fabrics <input type="checkbox"/> A	+\$122
Step 6. Arm Cap Detail		
K	solid surface arm caps <input type="checkbox"/> A	+\$300
R	urethane arm caps <input type="checkbox"/> A	+\$0
Step 7. Arm Cap Finish		
<i>For urethane arm caps (R)</i>		
BK	black <input type="checkbox"/> A	+\$0
SG	slate grey <input type="checkbox"/> A	+\$0
<i>For solid surface arm caps (K)</i>		
58	cameo white <input type="checkbox"/> A	+\$0
ANC	antarctica <input type="checkbox"/> A	+\$0
CQ	glacier white <input type="checkbox"/> A	+\$0
QB	bisque <input type="checkbox"/> A	+\$0
SVG	silver gray <input type="checkbox"/> A	+\$0
Step 8. Powdercoat Finish		
BK	black <input type="checkbox"/> A	+\$0
G1	graphite <input type="checkbox"/> A	+\$0
MSS	metallic silver smooth <input type="checkbox"/> A	+\$0
MST	metallic silver textured <input type="checkbox"/> A	+\$0
XTS	titanium smooth <input type="checkbox"/> A	+\$0
XTT	titanium textured <input type="checkbox"/> A	+\$0

Step 9. Moisture Barrier Option		
MBB	moisture barrier back only <input type="checkbox"/> A	+\$75
MBN	no moisture barrier <input type="checkbox"/> A	+\$0
MBS	moisture barrier seat only <input type="checkbox"/> A	+\$75
MBX	moisture barrier seat and back <input type="checkbox"/> A	+\$150

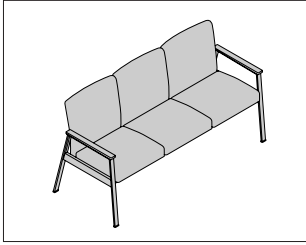
Step 10. MicrobeCare Selection		
MCN	no MicrobeCare protection <input type="checkbox"/> A	+\$0
MCY	MicrobeCare protection <input type="checkbox"/> A	+\$50

Step 11.		
Fabric		
<i>For one fabric (1F)</i>		
Price Category (Nemschoff) Series 3		+\$0
Price Category (Nemschoff) Series 4		+\$102
Price Category (Nemschoff) Series 5		+\$209
Price Category (Nemschoff) Series 6		+\$335
Price Category (Nemschoff) Series 7		+\$462
Price Category (Nemschoff) Series 8		+\$621

Seat Fabric		
<i>For multiple fabrics (MF)</i>		
Price Category (Nemschoff) Series 3		+\$0
Price Category (Nemschoff) Series 4		+\$75
Price Category (Nemschoff) Series 5		+\$147
Price Category (Nemschoff) Series 6		+\$232
Price Category (Nemschoff) Series 7		+\$316
Price Category (Nemschoff) Series 8		+\$421

Step 12. Back Fabric		
<i>For multiple fabrics (MF)</i>		
Price Category (Nemschoff) Series 3		+\$0
Price Category (Nemschoff) Series 4		+\$69
Price Category (Nemschoff) Series 5		+\$132
Price Category (Nemschoff) Series 6		+\$205
Price Category (Nemschoff) Series 7		+\$284
Price Category (Nemschoff) Series 8		+\$375

Step 13. Arm Fabric		
<i>For closed arm (C) with multiple fabrics (MF)</i>		
Price Category (Nemschoff) Series 3		+\$0
Price Category (Nemschoff) Series 4		+\$44
Price Category (Nemschoff) Series 5		+\$90
Price Category (Nemschoff) Series 6		+\$144
Price Category (Nemschoff) Series 7		+\$199
Price Category (Nemschoff) Series 8		+\$268



Product Information

Description

Features:

- Powder-coated metal frame
- Replaceable components
- Heavy-duty steel construction
- Urethane arm caps
- Clean-out design
- Wall-saver legs
- Non-marring glides
- Indoor Advantage™ Gold Certified

Notes

Only gangs to spanner and corner spanner tables with open arms selected.

Depth—26³/₄"

Height—35¹/₄"

Width—65"

Seat Width—61"

Seat Height—19"

Arm Height—25¹/₄"

Weight—74 lbs

COM yardage:

Single Fabric—4¹/₂ yards for open arms or 5 yards for closed arms

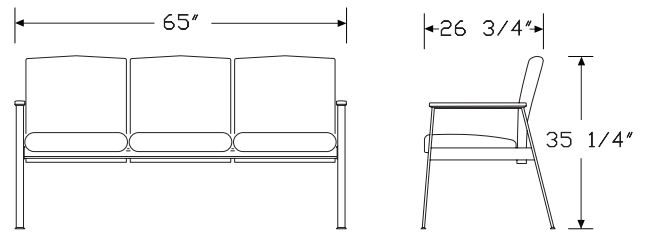
Multiple Fabrics:

Seat—3¹/₄

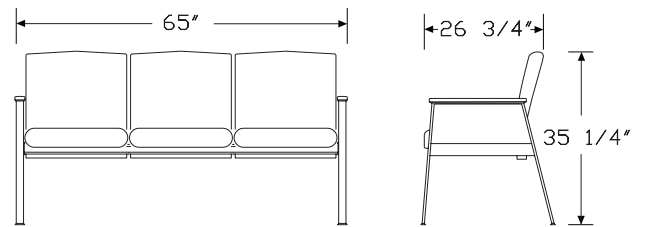
Back—2³/₄

Arm Panels—¹/₂

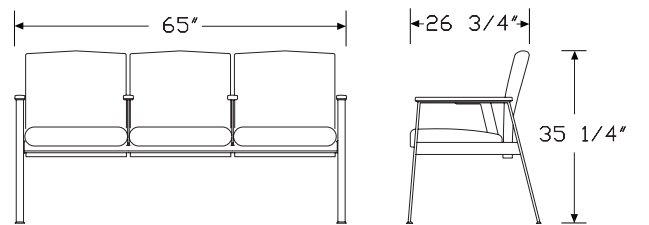
Dimensions



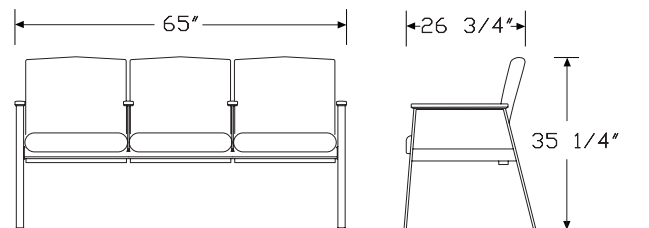
3 Seat - Open Arm



3 Seat - Closed Arm



3 Seat Divider - Open Arm



3 Seat Divider - Closed Arm

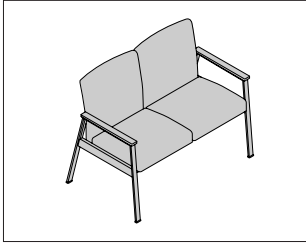
Nemschoff Easton Three Seat

continued

Nemschoff® Easton Seating

Specification Information		
Step 1.		
897	<input type="checkbox"/> A	
Step 2. Size		
-30	65" wide <input type="checkbox"/> A	+\$3611
Step 3. Intervening Arm Option		
A	include intervening arm(s) <input type="checkbox"/> A	+\$464
N	no intervening arm(s) <input type="checkbox"/> A	+\$0
Step 4. Arm Type		
C	closed arm <input type="checkbox"/> A	+\$335
O	open arms <input type="checkbox"/> A	+\$0
Step 5. Covers		
P	removable covers <input type="checkbox"/> A	+\$285
S	standard covers <input type="checkbox"/> A	+\$0
Step 6. Fabric Configuration		
1F	one fabric <input type="checkbox"/> A	+\$0
MF	multiple fabrics <input type="checkbox"/> A	+\$122
Step 7. Arm Cap Detail		
K	solid surface arm caps <input type="checkbox"/> A	+\$300
R	urethane arm caps <input type="checkbox"/> A	+\$0
Step 8. Arm Cap Finish		
<i>For urethane arm caps (R)</i>		
BK	black <input type="checkbox"/> A	+\$0
SG	slate grey <input type="checkbox"/> A	+\$0
<i>For solid surface arm caps (K)</i>		
5B	cameo white <input type="checkbox"/> A	+\$0
ANC	antarctica <input type="checkbox"/> A	+\$0
CQ	glacier white <input type="checkbox"/> A	+\$0
QB	bisque <input type="checkbox"/> A	+\$0
SVG	silver gray <input type="checkbox"/> A	+\$0
Step 9. Powdercoat Finish		
BK	black <input type="checkbox"/> A	+\$0
G1	graphite <input type="checkbox"/> A	+\$0
MSS	metallic silver smooth <input type="checkbox"/> A	+\$0
MST	metallic silver textured <input type="checkbox"/> A	+\$0
XTS	titanium smooth <input type="checkbox"/> A	+\$0
XTT	titanium textured <input type="checkbox"/> A	+\$0

Step 10. Moisture Barrier Option		
MBB	moisture barrier back only <input type="checkbox"/> A	+\$225
MBN	no moisture barrier <input type="checkbox"/> A	+\$0
MBS	moisture barrier seat only <input type="checkbox"/> A	+\$225
MBX	moisture barrier seat and back <input type="checkbox"/> A	+\$450
Step 11. MicrobeCare Selection		
MCN	no MicrobeCare protection <input type="checkbox"/> A	+\$0
MCY	MicrobeCare protection <input type="checkbox"/> A	+\$100
Step 12.		
Fabric		
<i>For one fabric (1F)</i>		
Price Category (Nemschoff) Series 3		+\$0
Price Category (Nemschoff) Series 4		+\$261
Price Category (Nemschoff) Series 5		+\$534
Price Category (Nemschoff) Series 6		+\$859
Price Category (Nemschoff) Series 7		+\$1186
Price Category (Nemschoff) Series 8		+\$1596
Seat Fabric		
<i>For multiple fabrics (MF)</i>		
Price Category (Nemschoff) Series 3		+\$0
Price Category (Nemschoff) Series 4		+\$195
Price Category (Nemschoff) Series 5		+\$374
Price Category (Nemschoff) Series 6		+\$591
Price Category (Nemschoff) Series 7		+\$808
Price Category (Nemschoff) Series 8		+\$1077
Step 13. Back Fabric		
<i>For multiple fabrics (MF)</i>		
Price Category (Nemschoff) Series 3		+\$0
Price Category (Nemschoff) Series 4		+\$175
Price Category (Nemschoff) Series 5		+\$336
Price Category (Nemschoff) Series 6		+\$527
Price Category (Nemschoff) Series 7		+\$722
Price Category (Nemschoff) Series 8		+\$967
Step 14. Arm Fabric		
<i>For closed arm (C) with multiple fabrics (MF)</i>		
Price Category (Nemschoff) Series 3		+\$0
Price Category (Nemschoff) Series 4		+\$44
Price Category (Nemschoff) Series 5		+\$90
Price Category (Nemschoff) Series 6		+\$144
Price Category (Nemschoff) Series 7		+\$199
Price Category (Nemschoff) Series 8		+\$268



Product Information

Description

Features:

- Powder-coated metal frame
- Replaceable components
- Heavy-duty steel construction
- Urethane arm caps
- Clean-out design
- Wall-saver legs
- Non-marring glides
- Indoor Advantage™ Gold Certified

Notes

Only gangs to spanner and corner spanner tables with open arms selected.

Depth—26³/₄"

Height—35¹/₄"

Width—44³/₄"

Seat Width—40³/₄"

Seat Height—19"

Arm Height—25¹/₄"

Weight—57 lbs

COM yardage:

Single Fabric—3¹/₄ yards for open arms or 3³/₄ yards for closed arms

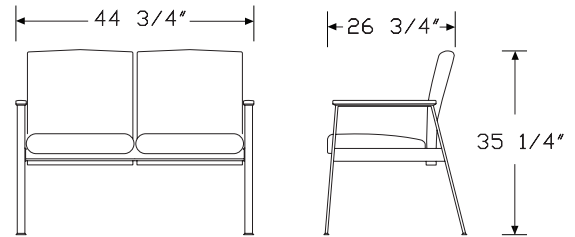
Multiple Fabrics:

Seat—2

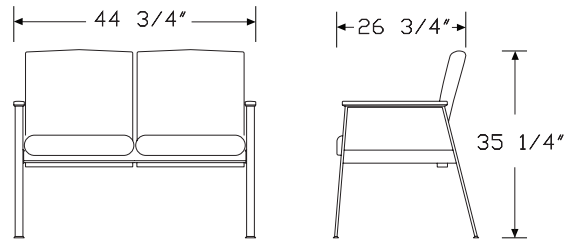
Back—2

Arm Panels—1/2

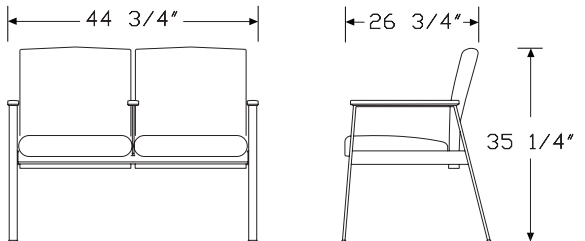
Dimensions



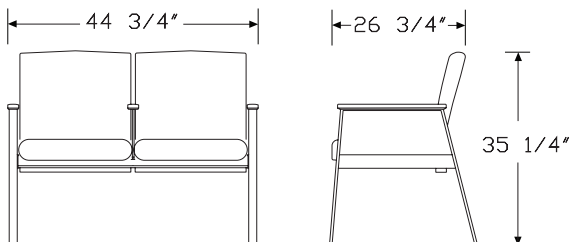
2 Seat - Open Arm



2 Seat - Closed Arm



2 Seat Divider - Open Arm



2 Seat Divider - Closed Arm

Nemschoff Easton Two Seat

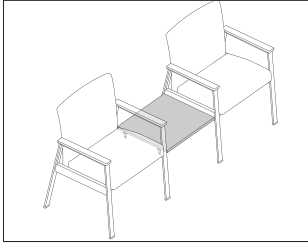
continued

Nemschoff® Easton Seating

Specification Information		
Step 1.		
897	<input type="checkbox"/>	
Step 2. Size		
-20	44.75" wide <input type="checkbox"/>	+\$2600
Step 3. Intervening Arm Option		
A	include intervening arm(s) <input type="checkbox"/>	+\$258
N	no intervening arm(s) <input type="checkbox"/>	+\$0
Step 4. Arm Type		
C	closed arm <input type="checkbox"/>	+\$335
O	open arms <input type="checkbox"/>	+\$0
Step 5. Covers		
P	removable covers <input type="checkbox"/>	+\$209
S	standard covers <input type="checkbox"/>	+\$0
Step 6. Fabric Configuration		
1F	one fabric <input type="checkbox"/>	+\$0
MF	multiple fabrics <input type="checkbox"/>	+\$122
Step 7. Arm Cap Detail		
K	solid surface arm caps <input type="checkbox"/>	+\$300
R	urethane arm caps <input type="checkbox"/>	+\$0
Step 8. Arm Cap Finish		
<i>For urethane arm caps (R)</i>		
BK	black <input type="checkbox"/>	+\$0
SG	slate grey <input type="checkbox"/>	+\$0
<i>For solid surface arm caps (K)</i>		
58	cameo white <input type="checkbox"/>	+\$0
ANC	antarctica <input type="checkbox"/>	+\$0
CQ	glacier white <input type="checkbox"/>	+\$0
QB	bisque <input type="checkbox"/>	+\$0
SVG	silver gray <input type="checkbox"/>	+\$0
Step 9. Powdercoat Finish		
BK	black <input type="checkbox"/>	+\$0
G1	graphite <input type="checkbox"/>	+\$0
MSS	metallic silver smooth <input type="checkbox"/>	+\$0
MST	metallic silver textured <input type="checkbox"/>	+\$0
XTS	titanium smooth <input type="checkbox"/>	+\$0
XTT	titanium textured <input type="checkbox"/>	+\$0

Step 10. Moisture Barrier Option		
MBB	moisture barrier back only <input type="checkbox"/>	+\$150
MBN	no moisture barrier <input type="checkbox"/>	+\$0
MBS	moisture barrier seat only <input type="checkbox"/>	+\$150
MBX	moisture barrier seat and back <input type="checkbox"/>	+\$300
Step 11. MicrobeCare Selection		
MCN	no MicrobeCare protection <input type="checkbox"/>	+\$0
MCY	MicrobeCare protection <input type="checkbox"/>	+\$75
Step 12.		
Fabric		
<i>For one fabric (1F)</i>		
Price Category (Nemschoff) Series 3		+\$0
Price Category (Nemschoff) Series 4		+\$160
Price Category (Nemschoff) Series 5		+\$326
Price Category (Nemschoff) Series 6		+\$525
Price Category (Nemschoff) Series 7		+\$725
Price Category (Nemschoff) Series 8		+\$976
Seat Fabric		
<i>For multiple fabrics (MF)</i>		
Price Category (Nemschoff) Series 3		+\$0
Price Category (Nemschoff) Series 4		+\$120
Price Category (Nemschoff) Series 5		+\$231
Price Category (Nemschoff) Series 6		+\$361
Price Category (Nemschoff) Series 7		+\$496
Price Category (Nemschoff) Series 8		+\$657
Step 13. Back Fabric		
<i>For multiple fabrics (MF)</i>		
Price Category (Nemschoff) Series 3		+\$0
Price Category (Nemschoff) Series 4		+\$107
Price Category (Nemschoff) Series 5		+\$206
Price Category (Nemschoff) Series 6		+\$323
Price Category (Nemschoff) Series 7		+\$444
Price Category (Nemschoff) Series 8		+\$593
Step 14. Arm Fabric		
<i>For closed arm (C) with multiple fabrics (MF)</i>		
Price Category (Nemschoff) Series 3		+\$0
Price Category (Nemschoff) Series 4		+\$44
Price Category (Nemschoff) Series 5		+\$90
Price Category (Nemschoff) Series 6		+\$144
Price Category (Nemschoff) Series 7		+\$199
Price Category (Nemschoff) Series 8		+\$268

Nemschoff Easton Spanner Table 897-I



Product Information

Description

Features:

- Replaceable components
- 1/2" HPL surface
- Non-marring glides
- Indoor Advantage™ Gold Certified

Notes

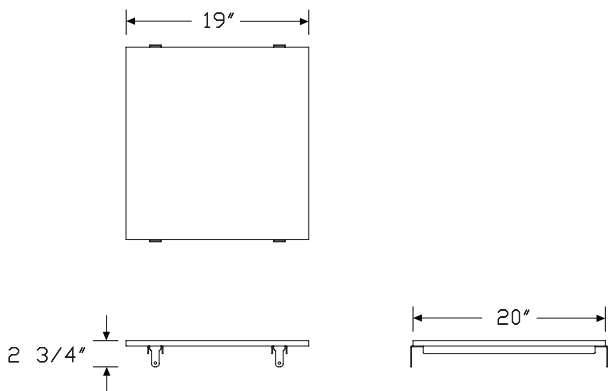
Integrated power unit (NP503) available on this product.

Width—20"

Depth—19"

Weight—15 lbs

Dimensions



Specification Information

Step 1.

897 A

Step 2. Size

-IT 20" wide A +\$808

Step 3. Top Material

K solid surface top A +\$404

L laminate top A +\$0

Step 4. Top Finish

For laminate top (L)

76	light brown walnut	+\$0
8Q	folkstone grey	+\$0
91	white	+\$0
98	studio white	+\$0
CL	cool grey neutral	+\$0
HF	inner tone light	+\$0
HM	natural maple	+\$0
HP	light anigre	+\$0
HX	aged cherry	+\$0
LBA	clear on ash	+\$0
LBB	oak on ash	+\$0
LBC	walnut on ash	+\$0
LBF	neutral twill	+\$0
LBJ	graphite twill	+\$0
LBQ	white twill	+\$0
LBR	phantom ecru A	+\$0
LBS	phantom cocoa A	+\$0
LBU	medium matte walnut A	+\$0
LBV	warm grey teak A	+\$0
LT	light tone	+\$0
LU	soft white	+\$0
OG	honey maple A	+\$0
WL	sandstone	+\$0
WN	warm grey neutral	+\$0

For solid surface top (K)

58	cameo white A	+\$0
ANC	antarctica A	+\$0
CQ	glacier white A	+\$0
QB	bisque A	+\$0
SVG	silver gray A	+\$0

Nemschoff Easton Spanner Table

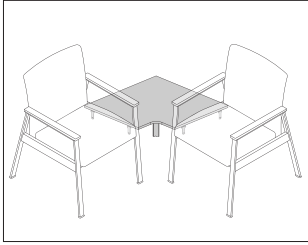
continued

Nemschoff® Easton Tables

Step 5. Edge Finish		
<i>For laminate top (L)</i>		
76	light brown walnut <input type="checkbox"/> A	+\$0
8Q	folkstone grey <input type="checkbox"/> A	+\$0
91	white <input type="checkbox"/> A	+\$0
98	studio white <input type="checkbox"/> A	+\$0
BU	black umber <input type="checkbox"/> A	+\$0
CL	cool grey neutral <input type="checkbox"/> A	+\$0
HF	inner tone light <input type="checkbox"/> A	+\$0
HM	natural maple <input type="checkbox"/> A	+\$0
HP	light anigre <input type="checkbox"/> A	+\$0
HT	inner tone (discontinuing) <input type="checkbox"/> A	+\$0
HX	aged cherry <input type="checkbox"/> A	+\$0
LBA	clear on ash <input type="checkbox"/> A	+\$0
LBB	oak on ash <input type="checkbox"/> A	+\$0
LBC	walnut on ash <input type="checkbox"/> A	+\$0
LBF	neutral twill <input type="checkbox"/> A	+\$0
LBJ	graphite twill <input type="checkbox"/> A	+\$0
LBQ	white twill <input type="checkbox"/> A	+\$0
LBR	phantom ecru <input type="checkbox"/> A	+\$0
LBS	phantom cocoa <input type="checkbox"/> A	+\$0
LBU	medium matte walnut <input type="checkbox"/> A	+\$0
LBV	warm grey teak <input type="checkbox"/> A	+\$0
LU	soft white <input type="checkbox"/> A	+\$0
MT	medium tone <input type="checkbox"/> A	+\$0
WL	sandstone <input type="checkbox"/> A	+\$0
WN	warm grey neutral <input type="checkbox"/> A	+\$0
Step 6. MicrobeCare Selection		
MCN	no Microbecare protection <input type="checkbox"/> A	+\$0
MCY	MicrobeCare protection <input type="checkbox"/> A	+\$50

Nemschoff Easton Spanner Corner Table

897-S



Product Information

Description

Features:

- Powder-coated metal legs
- Replaceable components
- 1/2" HPL surface
- Non-marring glides
- Indoor Advantage™ Gold Certified

Notes

Integrated power unit (NP503) available on this product.

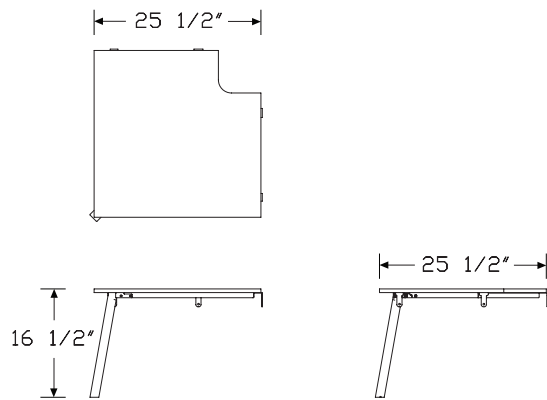
Depth—25 1/2"

Width—25 1/2"

Height—16 1/2"

Weight—8 1/4 lbs

Dimensions



Specification Information

Step 1.

897 A

Step 2. Size

-SQCT 25.5" wide A +\$1034

Step 3. Top Material

L laminate top A +\$0

K solid surface top A +\$657

Step 4. Top Finish

For laminate top (L)

76	light brown walnut	+\$0
8Q	folkstone grey	+\$0
91	white	+\$0
98	studio white	+\$0
CL	cool grey neutral	+\$0
HF	inner tone light	+\$0
HM	natural maple	+\$0
HP	light anigre	+\$0
HX	aged cherry	+\$0
LBA	clear on ash	+\$0
LBB	oak on ash	+\$0
LBC	walnut on ash	+\$0
LBF	neutral twill	+\$0
LBJ	graphite twill	+\$0
LBQ	white twill	+\$0
LBR	phantom ecru A	+\$0
LBS	phantom cocoa A	+\$0
LBU	medium matte walnut A	+\$0
LBV	warm grey teak A	+\$0
LT	light tone	+\$0
LU	soft white	+\$0
OG	honey maple A	+\$0
WL	sandstone	+\$0
WN	warm grey neutral	+\$0

For solid surface top (K)

58	cameo white A	+\$0
ANC	antarctica A	+\$0
CQ	glacier white A	+\$0
QB	bisque A	+\$0
SVG	silver gray A	+\$0

Nemschoff Easton Spanner Corner Table *continued*

Step 5. Edge Finish

For laminate top (L)

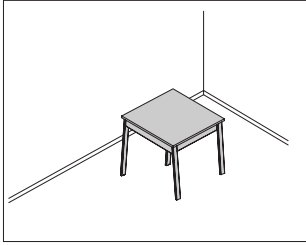
76	light brown walnut <input type="checkbox"/>	+\$0
8Q	folkstone grey <input type="checkbox"/>	+\$0
91	white <input type="checkbox"/>	+\$0
98	studio white <input type="checkbox"/>	+\$0
BU	black umber <input type="checkbox"/>	+\$0
CL	cool grey neutral <input type="checkbox"/>	+\$0
HF	inner tone light <input type="checkbox"/>	+\$0
HM	natural maple <input type="checkbox"/>	+\$0
HP	light anigre <input type="checkbox"/>	+\$0
HT	inner tone (discontinuing) <input type="checkbox"/>	+\$0
HX	aged cherry <input type="checkbox"/>	+\$0
LBA	clear on ash <input type="checkbox"/>	+\$0
LBB	oak on ash <input type="checkbox"/>	+\$0
LBC	walnut on ash <input type="checkbox"/>	+\$0
LBF	neutral twill <input type="checkbox"/>	+\$0
LBJ	graphite twill <input type="checkbox"/>	+\$0
LBQ	white twill <input type="checkbox"/>	+\$0
LBR	phantom ecru <input type="checkbox"/>	+\$0
LBS	phantom cocoa <input type="checkbox"/>	+\$0
LBU	medium matte walnut <input type="checkbox"/>	+\$0
LBV	warm grey teak <input type="checkbox"/>	+\$0
LU	soft white <input type="checkbox"/>	+\$0
MT	medium tone <input type="checkbox"/>	+\$0
WL	sandstone <input type="checkbox"/>	+\$0
WN	warm grey neutral <input type="checkbox"/>	+\$0

Step 6. Powdercoat Base Finish

BK	black <input type="checkbox"/>	+\$0
MSS	metallic silver smooth <input type="checkbox"/>	+\$0
MST	metallic silver textured <input type="checkbox"/>	+\$0
XTS	titanium smooth <input type="checkbox"/>	+\$0
XTT	titanium textured <input type="checkbox"/>	+\$0
G1	graphite textured <input type="checkbox"/>	+\$0

Step 7. MicrobeCare Selection

MCN	no Microbecare protection <input type="checkbox"/>	+\$0
MCY	MicrobeCare protection <input type="checkbox"/>	+\$50



Product Information

Description

Features:

- Powder-coated metal legs
- Replaceable components
- 1/2" HPL surface
- Non-marring glides
- Indoor Advantage™ Gold Certified

Notes

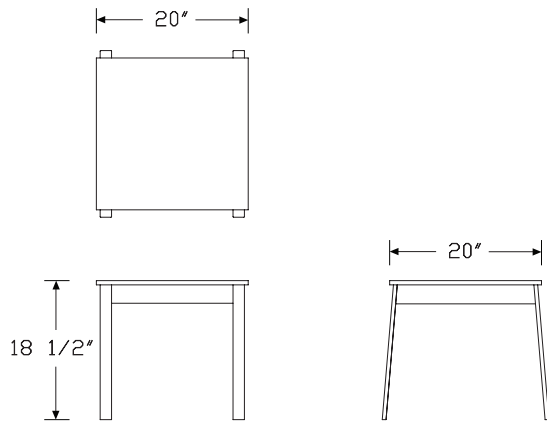
Height—18 1/2"

Width—20"

Depth—20"

Weight—13 3/4 lbs

Dimensions



Specification Information

Step 1.

897 A

Step 2. Size

-T5 18.5" high and 20" wide A +\$1122

Step 3. Top Material

L laminate top A +\$0

K solid surface top A +\$430

Step 4. Top Finish

For laminate top (L)

76	light brown walnut	+\$0
8Q	folkstone grey	+\$0
91	white	+\$0
98	studio white	+\$0
CL	cool grey neutral	+\$0
HF	inner tone light	+\$0
HM	natural maple	+\$0
HP	light anigre	+\$0
HX	aged cherry	+\$0
LBA	clear on ash	+\$0
LBB	oak on ash	+\$0
LBC	walnut on ash	+\$0
LBF	neutral twill	+\$0
LBJ	graphite twill	+\$0
LBQ	white twill	+\$0
LBR	phantom ecru <input type="checkbox"/> A	+\$0
LBS	phantom cocoa <input type="checkbox"/> A	+\$0
LBU	medium matte walnut <input type="checkbox"/> A	+\$0
LBV	warm grey teak <input type="checkbox"/> A	+\$0
LT	light tone	+\$0
LU	soft white	+\$0
OG	honey maple <input type="checkbox"/> A	+\$0
WL	sandstone	+\$0
WN	warm grey neutral	+\$0

For solid surface top (K)

58	cameo white <input type="checkbox"/> A	+\$0
ANC	antarctica <input type="checkbox"/> A	+\$0
CQ	glacier white <input type="checkbox"/> A	+\$0
QB	bisque <input type="checkbox"/> A	+\$0
SVG	silver gray <input type="checkbox"/> A	+\$0

Nemschoff Easton Side Table

continued

Nemschoff® Easton Tables

Step 5. Edge Finish

For laminate top (L)

76	light brown walnut <input type="checkbox"/>	+\$0
8Q	folkstone grey <input type="checkbox"/>	+\$0
91	white <input type="checkbox"/>	+\$0
98	studio white <input type="checkbox"/>	+\$0
BU	black umber <input type="checkbox"/>	+\$0
CL	cool grey neutral <input type="checkbox"/>	+\$0
HF	inner tone light <input type="checkbox"/>	+\$0
HM	natural maple <input type="checkbox"/>	+\$0
HP	light anigre <input type="checkbox"/>	+\$0
HT	inner tone (discontinuing) <input type="checkbox"/>	+\$0
HX	aged cherry <input type="checkbox"/>	+\$0
LBA	clear on ash <input type="checkbox"/>	+\$0
LBB	oak on ash <input type="checkbox"/>	+\$0
LBC	walnut on ash <input type="checkbox"/>	+\$0
LBF	neutral twill <input type="checkbox"/>	+\$0
LBJ	graphite twill <input type="checkbox"/>	+\$0
LBQ	white twill <input type="checkbox"/>	+\$0
LBR	phantom ecru <input type="checkbox"/>	+\$0
LBS	phantom cocoa <input type="checkbox"/>	+\$0
LBU	medium matte walnut <input type="checkbox"/>	+\$0
LBV	warm grey teak <input type="checkbox"/>	+\$0
LU	soft white <input type="checkbox"/>	+\$0
MT	medium tone <input type="checkbox"/>	+\$0
WL	sandstone <input type="checkbox"/>	+\$0
WN	warm grey neutral <input type="checkbox"/>	+\$0

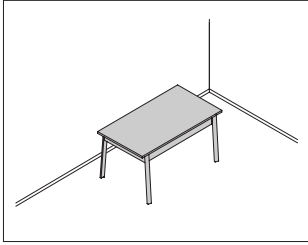
Step 6. Powdercoat Base Finish

BK	black <input type="checkbox"/>	+\$0
MSS	metallic silver smooth <input type="checkbox"/>	+\$0
MST	metallic silver textured <input type="checkbox"/>	+\$0
XTS	titanium smooth <input type="checkbox"/>	+\$0
XTT	titanium textured <input type="checkbox"/>	+\$0
G1	graphite textured <input type="checkbox"/>	+\$0

Step 7. MicrobeCare Selection

MCN	no Microbecare protection <input type="checkbox"/>	+\$0
MCY	MicrobeCare protection <input type="checkbox"/>	+\$50

Nemschoff Easton Coffee Table 897-T



Product Information

Description

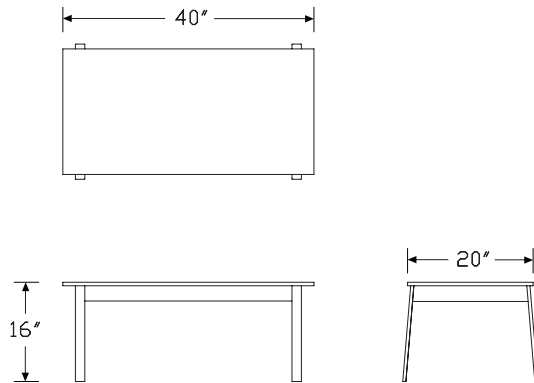
Features:

- Powder-coated metal legs
- Replaceable components
- 1/2" HPL surface
- Non-marring glides
- Indoor Advantage™ Gold Certified

Notes

Height—16"
 Width—40"
 Depth—20"
 Weight—26 lbs

Dimensions



Specification Information

Step 1.

897 A

Step 2. Size

-T9 16" high and 40" wide A +\$1328

Step 3. Top Material

L laminate top A +\$0
 K solid surface top A +\$783

Step 4. Top Finish

For laminate top (L)

76	light brown walnut	+\$0
8Q	folkstone grey	+\$0
91	white	+\$0
98	studio white	+\$0
CL	cool grey neutral	+\$0
HF	inner tone light	+\$0
HM	natural maple	+\$0
HP	light anigre	+\$0
HX	aged cherry	+\$0
LBA	clear on ash	+\$0
LBB	oak on ash	+\$0
LBC	walnut on ash	+\$0
LBF	neutral twill	+\$0
LBJ	graphite twill	+\$0
LBQ	white twill	+\$0
LBR	phantom ecru <input type="checkbox"/> A	+\$0
LBS	phantom cocoa <input type="checkbox"/> A	+\$0
LBU	medium matte walnut <input type="checkbox"/> A	+\$0
LBV	warm grey teak <input type="checkbox"/> A	+\$0
LT	light tone	+\$0
LU	soft white	+\$0
OG	honey maple <input type="checkbox"/> A	+\$0
WL	sandstone	+\$0
WN	warm grey neutral	+\$0

For solid surface top (K)

58	cameo white <input type="checkbox"/> A	+\$0
ANC	antarctica <input type="checkbox"/> A	+\$0
CQ	glacier white <input type="checkbox"/> A	+\$0
QB	bisque <input type="checkbox"/> A	+\$0
SVG	silver gray <input type="checkbox"/> A	+\$0

Nemschoff Easton Coffee Table

continued

Nemschoff® Easton Tables

Step 5. Edge Finish

For laminate top (L)

76	light brown walnut <input type="checkbox"/>	+\$0
8Q	folkstone grey <input type="checkbox"/>	+\$0
91	white <input type="checkbox"/>	+\$0
98	studio white <input type="checkbox"/>	+\$0
BU	black umber <input type="checkbox"/>	+\$0
CL	cool grey neutral <input type="checkbox"/>	+\$0
HF	inner tone light <input type="checkbox"/>	+\$0
HM	natural maple <input type="checkbox"/>	+\$0
HP	light anigre <input type="checkbox"/>	+\$0
HT	inner tone (discontinuing) <input type="checkbox"/>	+\$0
HX	aged cherry <input type="checkbox"/>	+\$0
LBA	clear on ash <input type="checkbox"/>	+\$0
LBB	oak on ash <input type="checkbox"/>	+\$0
LBC	walnut on ash <input type="checkbox"/>	+\$0
LBF	neutral twill <input type="checkbox"/>	+\$0
LBJ	graphite twill <input type="checkbox"/>	+\$0
LBQ	white twill <input type="checkbox"/>	+\$0
LBR	phantom ecru <input type="checkbox"/>	+\$0
LBS	phantom cocoa <input type="checkbox"/>	+\$0
LBU	medium matte walnut <input type="checkbox"/>	+\$0
LBV	warm grey teak <input type="checkbox"/>	+\$0
LU	soft white <input type="checkbox"/>	+\$0
MT	medium tone <input type="checkbox"/>	+\$0
WL	sandstone <input type="checkbox"/>	+\$0
WN	warm grey neutral <input type="checkbox"/>	+\$0

Step 6. Powdercoat Base Finish

BK	black <input type="checkbox"/>	+\$0
MSS	metallic silver smooth <input type="checkbox"/>	+\$0
MST	metallic silver textured <input type="checkbox"/>	+\$0
XTS	titanium smooth <input type="checkbox"/>	+\$0
XTT	titanium textured <input type="checkbox"/>	+\$0
G1	graphite textured <input type="checkbox"/>	+\$0

Step 7. MicrobeCare Selection

MCN	no Microbecare protection <input type="checkbox"/>	+\$0
MCY	MicrobeCare protection <input type="checkbox"/>	+\$50

Index by Product Name

Nemschoff® Easton Family	
Nemschoff Easton Coffee Table	page(s) 23
Nemschoff Easton Easy Access Chair	5
Nemschoff Easton Patient Chair	7
Nemschoff Easton Plus Chair	9
Nemschoff Easton Side Chair	11
Nemschoff Easton Side Table	21
Nemschoff Easton Spanner Corner Table	19
Nemschoff Easton Spanner Table	17
Nemschoff Easton Three Seat	13
Nemschoff Easton Two Seat	15



Index by Product Number



897-1	Nemschoff Easton Easy Access Chair	page(s) 5
897-1	Nemschoff Easton Side Chair	11
897-2	Nemschoff Easton Two Seat	15
897-3	Nemschoff Easton Three Seat	13
897-5	Nemschoff Easton Patient Chair	7
897-l	Nemschoff Easton Spanner Table	17
897-0	Nemschoff Easton Plus Chair	9
897-S	Nemschoff Easton Spanner Corner Table	19
897-T	Nemschoff Easton Coffee Table	23
897-T	Nemschoff Easton Side Table	21



20-Day or Less/Assigned Lead-Time Order Information

20-Day or Less and Assigned Lead-Time Programs

20-day or less and assigned lead-time products are designed for established Herman Miller dealers with pre-approved credit.

Products are distributed from multiple manufacturing facilities across the United States. All products and options not designated by an Assigned Lead-Time icon  will ship in 20 business days or less after being acknowledged by Herman Miller. Products and options designated by an  are on the assigned lead-time program and will ship in 20 days, less than 20 days, or more than 20 days from order acknowledgement.

Ordering Procedure

Please place orders through Order Manager. If this is not available to you, place orders through mail or fax. Verbal purchase orders will not be accepted.

Order Entry fax number for Meridian®

Filing and Storage: (616) 846 9236.

Order Entry fax number for all other products:

(616) 654 3085.

For more information, contact your Customer Care representative at:
(866) 854 3048 ext 3400.

Shipments and Delivery

Per Herman Miller Terms and Conditions.

Changes and Cancellation

Per Herman Miller Terms and Conditions.

For more information about our products and services or to see a list of dealers, please visit us at HermanMiller.com or call (800) 851 1196.

© 2024 Herman Miller, Inc., Zeeland, Michigan

Distribution Rights

Working together since 1956, Herman Miller and Vitra are the authentic sources of designs by Charles and Ray Eames, Alexander Girard, and George Nelson. All the designs shown in this book are protected by law. Herman Miller has obtained all rights to make and sell these designs. Also, Herman Miller holds exclusive worldwide manufacturing and distribution rights for these products with the following exceptions:

Charles and Ray Eames, George Nelson, and Alexander Girard—Worldwide distribution rights for furniture in all areas except Europe and the Middle East. For those areas, please contact Vitra.

Isamu Noguchi—Worldwide distribution rights for the Noguchi Rudder Table. Distribution rights for the Noguchi Table in North America and Central America only. For all other areas, please contact Vitra.

Magis—Exclusive distribution rights in the US and Canada. For all other areas, please contact Magis.

© **HermanMiller**, 3D Intelligent, 8Z Pellicle, AO, Action Office, Aeron, Aside, Bubble Lamps, Canvas Office Landscape, Caper, Celle, Cosm, Co/Struc, Daisyone, Distil, Eames, Eco-Dematerialized, Embody, Envelop, Ethospace, Exclave, Fine-Tune, FlexFront, Flo, Formcoat, Formwork, Ground Cloth, Intent, Kinemat, Layout Studio, Lino, Live Unframed, Living Office, Maharam, Meridian, Mirra, Motia, Nelson, Pari, Pellicle, Perspectives, Plex, PostureFit, PostureFit SL, Public Office Landscape, Sayl, Setu, Striad, Tu, Ubi, Verus, Wishbone, Y-Tower and Zeph are among the registered trademarks of Herman Miller, Inc., and its owned subsidiaries.

™ About Face, AireWeave, Airia, Ambit, Asari Chair by HermanMiller, Backfit, Bublelactack, Burdick Group, Butterfly Back, Canvas Vista, Cellular Suspension, Commend, Compass, Connect, DOT, Duracare, Durawrap, EnhancedAccess, Everywhere, Flex-Edge, Flute, Harmonic, Headway, Herman Miller Select, Hopsak 2, Iota, Keyless Entry, Latitude, Logic Mini, Logic Power Access Solutions, Lyris, Lyris 2, Made-to-Measure Storage, Mora, Multiscrim, Nevi, OE1, OE1 Workspace Collection, Overlay, Pixelated Support, Pronta, Renew, Sense, Soft Pad, Stackable, Stackable Storage, Swoop, Thrive, Tone, TriFlex, Twist and Wireframe are among the trademarks of Herman Miller, Inc., and its owned subsidiaries.

SM Herman Miller Options is among the service marks of Herman Miller, Inc.

AAP™ is a trademark of Extron Electronics.

Alexander Girard® is a registered trademark of The Alexander Girard Estate.

Chemsurf® is a registered trademark of Wilsonart International.

Corian® is a registered trademark of E. I. du Pont de Nemours and Company Corporation.

Crypton® is a registered trademark of Crypton, Inc.

DACRON® is a registered trademark of INVISTA S.a r.l.

Danzer® is a registered trademark of Danzer Holding AG.

Decora® is a registered trademark of Leviton Manufacturing Co., Inc.

Edelman® Leather is a registered trademark of Edelman Leather, Inc.

Extron® is a registered trademark of RGB Systems, Inc.

FENIX NTM® is a registered trademark of Arpa Industriale S.p.A.

FLEXNET™ is a trademark of Milliken & Company.

Floor Saver Glide® is a registered trademark of Carpin Manufacturing, Inc.

Forest Stewardship Council® is a registered trademark of the Forest Stewardship Council A.C. (FSC). We are FSC® certified (FSC® C102895).

FSC® is a registered trademark of the Forest Stewardship Council A.C. (FSC).

Geiger® is a registered trademark, and Bumper™, Saiba™, and Ward Bennett™ are trademarks, of Geiger International.

Hang-It-All® is a registered trademark of Lucia Eames Demetrios, d.b.a. Eames Office.

Holophane® is a registered trademark of Holophane.

Ingeo™ is a trademark of Cargill Dow LLC.

iPad® and Mac mini® are registered trademarks of Apple Inc.

Leviton® is a registered trademark of Leviton Manufacturing Co., Inc.

LifeSize® is a registered trademark of LifeSize Communications, Inc.

Logitech G® is a registered trademark of Logitech International S.A.

Magis®, Bombo®, and Me Too® are registered trademarks of Magis S.p.A.

MicrobeCare™ is a trademark of Parasol Medical LLC.

Microsoft® and Natural® Keyboard are registered trademarks of Microsoft Corporation.

Noguchi® and the Noguchi table configuration (trade dress) are registered trademarks, and Rudder Table™ is a trademark, of The Isamu Noguchi Foundation and Garden Museum.

Place Textiles® is a registered trademark of Place Textiles.

Sunbrella® is a registered trademark of Glen Raven, Inc.

SuperSeat™ is a trademark of Dahti Seating, a division of ITW.

Valor™ is among the trademarks owned by Nemschoff, Inc.