



Prices effective October 3, 2022

# Nemschoff® Bedside Cabinet

---

<b>Introduction</b>	<b>page 2</b>
<b>Nemschoff® Bedside Cabinet</b>	<b>5</b>
<b>Appendices</b>	
20-Day or Less/Assigned Lead-Time Order Information - Healthcare	
Packaging/Keyed-Alike Information - Healthcare Casegoods	
<b>For the latest materials information, refer to the Materials pages on <a href="http://HermanMiller.com">HermanMiller.com</a>.</b>	

# Introduction

## A Note on the Organization of This Book

There are a few signals that will help you understand the organization of this book. Once you know them, you should be able to find your way around easily.

### Like a newspaper, this book is formatted with columns of text and illustrations that run vertically.

Information wraps from one column to the next and continues for as many pages as it needs to.

### Black bars are clues.

A black bar at the top of a page signals the start of information about a product.

This information is divided into two sections, each signaled by a black bar. Product Information includes a description, additional notes, and dimensional drawings. Specification Information, which always begins at the top of a column, includes a series of steps. Each step represents a decision you need to make in order to complete your product number. Steps must be followed sequentially. The number of pages needed to complete information on a product varies; some will be complete in one page; others may fill three or four pages. Just continue going through the steps until you run into the next product, signaled by the black bar at the top of the page.

Black tabs running along the outside edge of the page help you locate what section you are in or what section you want to go to. You can thumb forwards or backwards to find a section; tabs and text appear on both sides of the page.

The additional pages in the back of the book include the appendices and indices. They are signaled by a long black bar running along the outside edge of the page.

### The index is presented two ways.

The first index is in alphabetical order by product name. It can be helpful if you are new to the products and numbering scheme or if you are looking for a type of product, such as work chair or round table.

The second index is by product number. It lists, in alphanumeric order, the base product number, typically a five-digit number.

## General Information

This book is effective October 3, 2022, subject to change without notice. Products may be purchased from authorized Herman Miller dealers who will quote prices upon request. For more information about our products and services or to see a list of dealers, visit [www.HermanMiller.com](http://www.HermanMiller.com).


All prices are list prices. Additional services, such as planning services, design, storage, and installation, are not included and must be added to these prices when the additional services are requested.


Illustrations, specifications, and prices are based on the latest information at the time of publication. The right is reserved to make changes at any time without notice in prices, fabrics, finishes, materials, specifications, and models, and also to discontinue models and finishes.

Dimensions shown in the drawings are engineering drawing dimensions rounded up to the nearest  $\frac{1}{8}$ ". Product is shipped set up or knocked down. Products that include "Shipped knocked down" in the description require some assembly. If this statement does not appear in the description, the product is shipped assembled.

Service problems are normally handled by a Herman Miller authorized dealer. Where this cannot be accomplished on a local level, service problems should be referred to the Customer Care Representative for your region, Herman Miller, Inc., Zeeland, Michigan 49464.

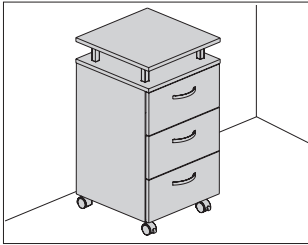
### 20-Day or Less/Assigned Lead-Time Shipments

All products and options in this price book not designated by an Assigned Program icon  will ship in **20 business days or less** after being acknowledged by Herman Miller.

Products and options designated by an  are on the assigned lead-time program and may ship in 20 days, less than 20 days, or more than 20 days from order acknowledgement.







**Product Information**

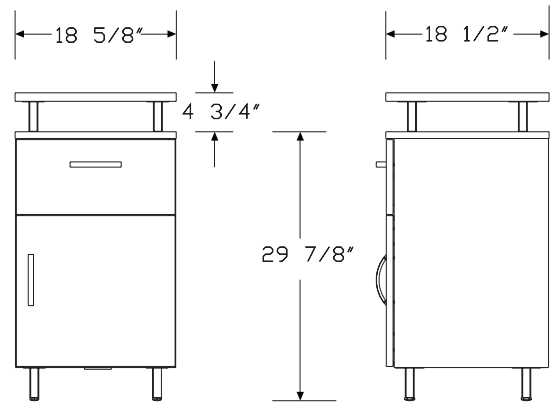
**Description**

This bedside cabinet has a choice of top or raised top with metal stanchions. Tops are available in 3/4" low-pressure laminate, 1" high-pressure laminate or Corian® solid surface material. Drawer body construction comes in plastic, laminate, or laminate with plastic liners.

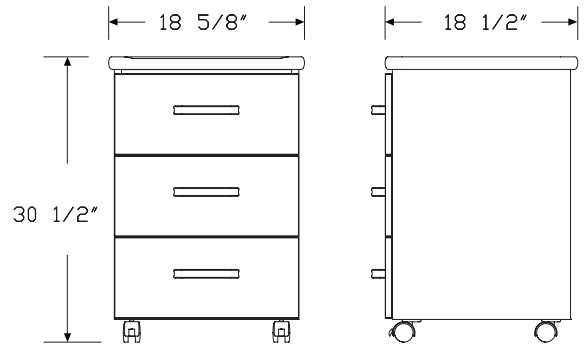
**Notes**

When specifying a lock on the individual drawer fronts, 3 small drawers (SD) storage option, the lock secures top drawer only.  
 Keyless locks (KP) are installed in the field.  
 Storage options with 1 small drawer (HL, HR, SC) have 1 height-adjustable shelf that can be removed.

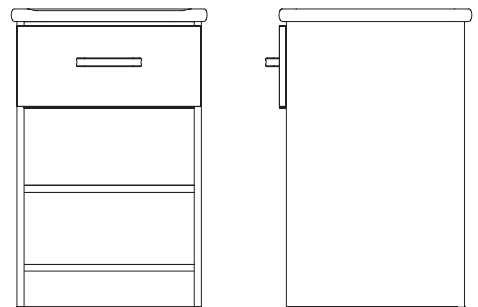
**Dimensions**



Drawer/door unit



3-Drawer unit



Drawer/open/shelf unit.

# Nemschoff® Bedside Cabinet

continued

Nemschoff® Bedside Cabinets

## Specification Information

### Step 1.

**CD100.**

### Step 2. Cabinet Configuration

<b>B</b>	bedside cabinet	+\$1578
<b>R</b>	bedside cabinet with raised top	+\$1831

### Step 3. Storage Options

<b>SD</b>	individual drawer fronts, 3 small drawers	+\$0
<b>HL</b>	1 small drawer, 1 door hinged left	-\$96
<b>HR</b>	1 small drawer, 1 door hinged right	-\$96
<b>SC</b>	1 small drawer, open cabinet	-\$149

### Step 4. Drawer Body Construction

#### For individual drawer fronts, 3 small drawers (SD)

<b>S</b>	three plastic drawers	+\$0
<b>D</b>	three laminate drawers	+\$41
<b>V</b>	three laminate drawers with three plastic drawer liners	+\$293

#### For 1 small drawer, 1 door hinged left (HL), 1 small drawer, 1 door hinged right (HR), or 1 small drawer, open cabinet (SC)

<b>C</b>	one plastic drawer	+\$0
<b>W</b>	one laminate drawer	+\$16
<b>X</b>	one laminate drawer with one plastic drawer liner	+\$99

### Step 5. Top Drawer Lock Option

<b>NL</b>	no lock	+\$0
<b>KA</b>	keyed lock, keyed alike	+\$83
<b>KC</b>	keyed lock, keyed differently, chrome	+\$83
<b>KD</b>	keyed lock, keyed differently, black	+\$83
<b>KP</b>	keyless lock	+\$370

### Step 6. Door Lock Option

#### For individual drawer fronts, 3 small drawers (SD) or 1 small drawer, open cabinet (SC)

<b>NL</b>	no lock	+\$0
-----------	---------	------

#### For 1 small drawer, 1 door hinged left (HL) or 1 small drawer, 1 door hinged right (HR)

<b>NL</b>	no lock	+\$0
<b>KP</b>	keyless lock	+\$370

### Step 7. Pull Type

<b>N</b>	no pull	+\$0
<b>A</b>	arc pull	+\$36
<b>K</b>	bar pull	+\$36
<b>C</b>	curved pull	+\$70
<b>P</b>	profile pull	+\$78
<b>T</b>	tab pull	+\$78
<b>R</b>	terra pull	+\$47

### Step 8. Case/Front/Side Material

<b>L</b>	thermally - fused laminate	+\$0
<b>H</b>	high-pressure laminate	+\$304

### Step 9. Top Material

#### For bedside cabinet (B)

<b>LS</b>	3/4" thermally-fused laminate	+\$0
<b>HS</b>	1" high-pressure laminate	+\$27
<b>PS</b>	Corian® with spill lip	+\$698

#### For bedside cabinet with raised top (R)

<b>LR</b>	3/4" thermally-fused laminate	+\$0
<b>HR</b>	1" high-pressure laminate	+\$27
<b>PR</b>	Corian®	+\$698

### Step 10. Grain Direction

<b>HRG</b>	horizontal grain	+\$0
<b>VTG</b>	vertical grain	+\$0

### Step 11. Base

<b>B</b>	base with adjustable glides	+\$0
<b>C</b>	black casters, 2 front locking, 2 non locking	+\$29
<b>M</b>	metal leg	+\$126

### Step 12. Base Finish

#### For base with adjustable glides (B) or black casters, 2 front locking, 2 non locking (C)

<b>STD</b>	standard finish	+\$0
------------	-----------------	------

# Nemschoff® Bedside Cabinet

continued

## For metal leg (M)

<b>8Q</b>	folkstone grey	+\$0
<b>91</b>	white	+\$0
<b>98</b>	studio white	+\$0
<b>BK</b>	black	+\$0
<b>CL</b>	cool grey neutral	+\$0
<b>CN</b>	metallic champagne	+\$0
<b>EH</b>	metallic bronze	+\$0
<b>G1</b>	graphite	+\$0
<b>MS</b>	metallic silver	+\$0
<b>WL</b>	sandstone	+\$0
<b>WN</b>	warm grey neutral	+\$0

## Step 13. Case/Front/Side Finish

## For thermally - fused laminate (L)

<b>76</b>	light brown walnut	+\$0
<b>8Q</b>	folkstone grey	+\$0
<b>91</b>	white	+\$0
<b>98</b>	studio white	+\$0
<b>CL</b>	cool grey neutral	+\$0
<b>G1</b>	graphite	+\$0
<b>HM</b>	natural maple	+\$0
<b>HP</b>	light anigre	+\$0
<b>HX</b>	aged cherry	+\$0
<b>HY</b>	walnut on cherry	+\$0
<b>LA</b>	light ash	+\$0
<b>LBA</b>	clear on ash	+\$0
<b>LBB</b>	oak on ash	+\$0
<b>LBC</b>	walnut on ash	+\$0
<b>LBD</b>	dark brown walnut	+\$0
<b>LBF</b>	neutral twill	+\$0
<b>LBG</b>	sarum twill	+\$0
<b>LBH</b>	earthen twill	+\$0
<b>LBJ</b>	graphite twill	+\$0
<b>LBQ</b>	white twill	+\$0
<b>LBR</b>	phantom ecru	+\$0
<b>LBS</b>	phantom cocoa	+\$0
<b>LBU</b>	medium matte walnut	+\$0
<b>LBV</b>	warm grey teak	+\$0
<b>LU</b>	soft white	+\$0
<b>WL</b>	sandstone	+\$0
<b>WN</b>	warm grey neutral	+\$0

## For high-pressure laminate (H)

<b>76</b>	light brown walnut	+\$0
<b>8Q</b>	folkstone grey	+\$0
<b>91</b>	white	+\$0
<b>98</b>	studio white	+\$0
<b>BU</b>	black umber <sup>A</sup>	+\$0
<b>CL</b>	cool grey neutral	+\$0
<b>HF</b>	inner tone light	+\$0
<b>HM</b>	natural maple	+\$0
<b>HP</b>	light anigre	+\$0
<b>HX</b>	aged cherry	+\$0
<b>HY</b>	walnut on cherry	+\$0
<b>LA</b>	light ash	+\$0
<b>LBA</b>	clear on ash	+\$0
<b>LBB</b>	oak on ash	+\$0
<b>LBC</b>	walnut on ash	+\$0
<b>LBD</b>	dark brown walnut	+\$0
<b>LBF</b>	neutral twill	+\$0
<b>LBG</b>	sarum twill	+\$0
<b>LBH</b>	earthen twill	+\$0
<b>LBJ</b>	graphite twill	+\$0
<b>LBM</b>	crisp linen	+\$0
<b>LBN</b>	classic linen	+\$0
<b>LBP</b>	casual linen	+\$0
<b>LBQ</b>	white twill	+\$0
<b>LBR</b>	phantom ecru <sup>A</sup>	+\$0
<b>LBS</b>	phantom cocoa <sup>A</sup>	+\$0
<b>LBU</b>	medium matte walnut <sup>A</sup>	+\$0
<b>LBV</b>	warm grey teak <sup>A</sup>	+\$0
<b>LT</b>	light tone	+\$0
<b>LU</b>	soft white	+\$0
<b>WL</b>	sandstone	+\$0
<b>WN</b>	warm grey neutral	+\$0

# Nemschoff® Bedside Cabinet

continued

Nemschoff® Bedside Cabinets

## Step 14. Top Finish

For 3/4" thermally-fused laminate (LR) or 3/4" thermally-fused laminate (LS)

<b>76</b>	light brown walnut	+\$0
<b>8Q</b>	folkstone grey	+\$0
<b>91</b>	white	+\$0
<b>98</b>	studio white	+\$0
<b>CL</b>	cool grey neutral	+\$0
<b>G1</b>	graphite	+\$0
<b>HM</b>	natural maple	+\$0
<b>HP</b>	light anigre	+\$0
<b>HX</b>	aged cherry	+\$0
<b>HY</b>	walnut on cherry	+\$0
<b>LA</b>	light ash	+\$0
<b>LBA</b>	clear on ash	+\$0
<b>LBB</b>	oak on ash	+\$0
<b>LBC</b>	walnut on ash	+\$0
<b>LBD</b>	dark brown walnut	+\$0
<b>LBF</b>	neutral twill	+\$0
<b>LBG</b>	sarum twill	+\$0
<b>LBH</b>	earthen twill	+\$0
<b>LBJ</b>	graphite twill	+\$0
<b>LBQ</b>	white twill	+\$0
<b>LBR</b>	phantom ecru	+\$0
<b>LBS</b>	phantom cocoa	+\$0
<b>LBU</b>	medium matte walnut	+\$0
<b>LBV</b>	warm grey teak	+\$0
<b>LU</b>	soft white	+\$0
<b>WL</b>	sandstone	+\$0
<b>WN</b>	warm grey neutral	+\$0

For 1" high-pressure laminate (HR) or 1" high-pressure laminate (HS)

<b>76</b>	light brown walnut	+\$0
<b>8Q</b>	folkstone grey	+\$0
<b>91</b>	white	+\$0
<b>98</b>	studio white	+\$0
<b>CL</b>	cool grey neutral	+\$0
<b>HF</b>	inner tone light	+\$0
<b>HM</b>	natural maple	+\$0
<b>HP</b>	light anigre	+\$0
<b>HX</b>	aged cherry	+\$0
<b>HY</b>	walnut on cherry	+\$0
<b>LA</b>	light ash	+\$0
<b>LBA</b>	clear on ash	+\$0
<b>LBB</b>	oak on ash	+\$0
<b>LBC</b>	walnut on ash	+\$0
<b>LBD</b>	dark brown walnut	+\$0
<b>LBF</b>	neutral twill	+\$0
<b>LBG</b>	sarum twill	+\$0
<b>LBH</b>	earthen twill	+\$0
<b>LBJ</b>	graphite twill	+\$0
<b>LBM</b>	crisp linen	+\$0
<b>LBN</b>	classic linen	+\$0
<b>LBP</b>	casual linen	+\$0
<b>LBQ</b>	white twill	+\$0
<b>LBR</b>	phantom ecru <span style="border: 1px solid black; padding: 0 2px;">A</span>	+\$0
<b>LBS</b>	phantom cocoa <span style="border: 1px solid black; padding: 0 2px;">A</span>	+\$0
<b>LBU</b>	medium matte walnut <span style="border: 1px solid black; padding: 0 2px;">A</span>	+\$0
<b>LBV</b>	warm grey teak <span style="border: 1px solid black; padding: 0 2px;">A</span>	+\$0
<b>LT</b>	light tone	+\$0
<b>LU</b>	soft white	+\$0
<b>WL</b>	sandstone	+\$0
<b>WN</b>	warm grey neutral	+\$0

For Corian® (PR) or Corian® with spill lip (PS)

<b>1S</b>	savannah	+\$80
<b>1U</b>	sahara	+\$45
<b>4I</b>	sandstone	+\$45
<b>58</b>	cameo white	+\$0
<b>ANC</b>	antarctica	+\$80
<b>CQ</b>	glacier white	+\$0
<b>CRT</b>	concrete	+\$125
<b>DVC</b>	dove	+\$125
<b>IQ</b>	aurora	+\$80
<b>OQ</b>	silt	+\$80
<b>QB</b>	bisque	+\$0
<b>SFC</b>	seafoam	+\$125
<b>SVG</b>	silver gray	+\$45



# Nemschoff® Bedside Cabinet

continued

## Step 15. Pull Finish

### For no pull (N)

<b>NN</b>	none	+\$0
-----------	------	------

### For arc pull (A)

<b>NH</b>	brushed nickel	+\$0
<b>NK</b>	black nickel	+\$0

### For curved pull (C), profile pull (P), tab pull (T), or terra pull (R)

<b>STD</b>	standard finish	+\$0
------------	-----------------	------

### For bar pull (K)

<b>8Q</b>	folkstone grey	+\$0
<b>91</b>	white	+\$0
<b>98</b>	studio white	+\$0
<b>CN</b>	metallic champagne	+\$0
<b>G1</b>	graphite	+\$0
<b>MS</b>	metallic silver	+\$0

## Step 16. Raised Top Stanchion Finish

### For bedside cabinet with raised top (R)

<b>8Q</b>	folkstone grey	+\$0
<b>91</b>	white	+\$0
<b>98</b>	studio white	+\$0
<b>BK</b>	black	+\$0
<b>CL</b>	cool grey neutral	+\$0
<b>CN</b>	metallic champagne	+\$0
<b>EH</b>	metallic bronze	+\$0
<b>G1</b>	graphite	+\$0
<b>MS</b>	metallic silver	+\$0
<b>WL</b>	sandstone	+\$0
<b>WN</b>	warm grey neutral	+\$0

## Step 17. Venting



<b>N</b>	no venting	+\$0
<b>V</b>	venting	+\$19



## 20-Day or Less/Assigned Lead-Time Order Information — Healthcare

### 20-Day or Less/Assigned Lead-Time Programs

20-day or less and assigned lead-time products are designed for established Herman Miller dealers with pre-approved credit.

Products are distributed from multiple manufacturing facilities across the United States. All products and options not designated by an Assigned Lead-Time icon  will ship in 20 business days or less after being acknowledged by Herman Miller. Products and options designated by an  are on the assigned lead-time program and will ship in 20 days, less than 20 days, or more than 20 days from order acknowledgement.

### Ordering Procedure

Please place orders through Order Manager. If this is not available to you, place orders through mail or fax. Verbal purchase orders will not be accepted.

Order Entry fax number: (616) 654 3085.

For more information, contact your Customer Care representative at: (866) 854 3048 ext 3400

### Shipments and Delivery

Per Herman Miller Terms and Conditions.

### Changes and Cancellation

Per Herman Miller Terms and Conditions.



# Packaging/Keyed-Alike Information — Healthcare Casegoods

## Packaging

Packaging varies according to individual product. A surcharge may be added for special packaging requests. Contact Customer Care for specific information.

## Keyed-Alike Locks

All components with locks may be specified keyed alike.

Keyed-alike healthcare casegoods components will be shipped with lock chassis installed. Lock plugs will be shipped separately, tagged for product and location as specified. Installation of lock plugs will be on-site according to instructions provided. Herman Miller Inc., will not be responsible for lock plug installation.

To order keyed-alike locks for healthcare casegoods components, specify keyed alike. Then place a separate order for plugs and locks:

1. List plug part number and key number (232092-XXX); select a key number (or numbers) between 226 and 427, excluding numbers 408 and 412.
2. List quantity of locks per key number.
3. Indicate this is a no charge order.

Keyed-alike locks are field installed.

A master key can be used to open any lock on a healthcare casegoods component. To remove lock plugs from existing components, a removal key (#232228) or lock change tool (#234559) is required. Customers interested in ordering master keys, removal keys, or lock change tools should contact Customer Care with a written request.

For more information about our products and services or to see a list of dealers, please visit us at [HermanMiller.com](http://HermanMiller.com) or call (800) 851 1196.

© 2022 Herman Miller, Inc., Zeeland, Michigan

#### Distribution Rights

Working together since 1956, Herman Miller and Vitra are the authentic sources of designs by Charles and Ray Eames, Alexander Girard, and George Nelson. All the designs shown in this book are protected by law. Herman Miller has obtained all rights to make and sell these designs. Also, Herman Miller holds exclusive worldwide manufacturing and distribution rights for these products with the following exceptions:

Charles and Ray Eames, George Nelson, and Alexander Girard—Worldwide distribution rights for furniture in all areas except Europe and the Middle East. For those areas, please contact Vitra.

Isamu Noguchi—Worldwide distribution rights for the Noguchi Rudder Table. Distribution rights for the Noguchi Table in North America and Central America only. For all other areas, please contact Vitra.

Magis—Exclusive distribution rights in the US and Canada. For all other areas, please contact Magis.

© HermanMiller, 3D Intelligent, AO, Action Office, Aeron, ArcSpan, Aside, Avall, Bubble Lamps, Canvas Office Landscape, Caper, Celle, Cosm, Co/Struc, Daisyone, Distil, Eames, Eco-Dematerialized, Embody, Envelop, Ethospace, Exclave, Fine-Tune, FlexFront, Flo, Formcoat, Formwork, Ground Cloth, Herman Miller for the Home, Herman Miller for Healthcare, Intersect, Kinemat, Layout Studio, Lifework, Limerick, Lino, Live Unframed, Living Office, Maharam, Meridian, Mirra, Motia, Nelson, Pellicle, Perspectives, Plex, PostureFit, PostureFit SL, Prospects, Public Office Landscape, Resolve, Rodney, Sayl, Setu, Tu, Ubi, Verus, Wishbone, and Y-Tower are among the registered trademarks of Herman Miller, Inc., and its owned subsidiaries.

8Z Pellicle, About Face, AireWeave, Albert, Ambit, Backfit, Bubleback, Burdick Group, Butterfly Back, Cellular Suspension, Clam, Commend, Compass, Connect, DOT, Duracare, Durawrap, EnhancedAccess, Everywhere, Flex-Edge, Flute, Harmonic, Headway, Herman Miller Select, Hopsak 2, Intent, Iota, Jaw, Keyless Entry, Keyn Chair Group by Herman Miller, Latitude, Locale, Logic Mini, Logic Power Access Solutions, Live Platform, Loop, Lyris, Lyris 2, Made-to-Measure Storage, Mora, Multiscrim, Nevi, OE1 Workspace Collection, Overlay, Pari, Pixelated Support, Pronta Stacking Chairs by Herman Miller, Prospect, Renew, Sense, Soft Pad, Stackable, Stackable Storage, Striad, Swoop, Thrive, Tone, TriFlex, Twist, Vista, Wireframe, and Zeph are among the trademarks of Herman Miller, Inc., and its owned subsidiaries.

SM Herman Miller Options is among the service marks of Herman Miller, Inc.

AAP™ is a trademark of Extron Electronics.

Alexander Girard® is a registered trademark of The Alexander Girard Estate.

Chemsurf® is a registered trademark of Wilsonart International.

Corian® is a registered trademark of E. I. du Pont de Nemours and Company Corporation.

Crypton® is a registered trademark of Crypton, Inc.

DACRON® is a registered trademark of INVISTA S.a.r.l.

Danzer® is a registered trademark of Danzer Holding AG.

Decora® is a registered trademark of Leviton Manufacturing Co., Inc.

Edelman® Leather is a registered trademark of Edelman Leather, Inc.

Extron® is a registered trademark of RGB Systems, Inc.

FENIX NTM® is a registered trademark of Arpa Industriale S.p.A.

FLEXNET™ is a trademark of Milliken & Company.

Floor Saver Glide® is a registered trademark of Carpin Manufacturing, Inc.

Forest Stewardship Council® is a registered trademark of the Forest Stewardship Council A.C. (FSC). We are FSC® certified (FSC® C102895).

FSC® is a registered trademark of the Forest Stewardship Council A.C. (FSC).

Geiger® is a registered trademark, and Bumper™, Saiba™, and Ward Bennett™ are trademarks, of Geiger International.

Hang-It-All® is a registered trademark of Lucia Eames Demetrios, d.b.a. Eames Office.

Holophane® is a registered trademark of Holophane.

Ingeo™ is a trademark of Cargill Dow LLC.

iPad® and Mac mini® are registered trademarks of Apple Inc.

Leviton® is a registered trademark of Leviton Manufacturing Co., Inc.

LifeSize® is a registered trademark of LifeSize Communications, Inc.

Logitech G® is a registered trademark of Logitech International S.A.

Magis®, Bombo®, and Me Too® are registered trademarks of Magis S.p.A.

MicrobeCare™ is a trademark of Parasol Medical LLC.

Microsoft® and Natural® Keyboard are registered trademarks of Microsoft Corporation.

Noguchi® and the Noguchi table configuration (trade dress) are registered trademarks, and Rudder Table™ is a trademark, of The Isamu Noguchi Foundation and Garden Museum.

Place Textiles® is a registered trademark of Place Textiles.

Sunbrella® is a registered trademark of Glen Raven, Inc.

SuperSeat™ is a trademark of Dahti Seating, a division of ITW.

Valor™ and Whisk™ are among the trademarks owned by Nemschoff, Inc.