



GSA prices effective January 30, 2023
(based on October 3, 2022, commercial price list)
Published January 2024

Nemschoff® Easton Family

General Services Administration Federal Supply Service Authorized Federal Supply Schedule Price List

Online access to contract ordering information, terms and conditions, up-to-date pricing, and the option to create an electronic delivery order is available through GSA Advantage!®, a menu-driven database system.

The Internet address for GSA Advantage! is www.gsaadvantage.gov.

Office Furniture
FSC/PSC 7110/7125
Contract Number: GS-03F-036DA
UEI: Q2K3MSZ843D8
Contract Period: December 21, 2015—December 20, 2025

MillerKnoll, Inc.
855 East Main Avenue
Zeeland, Michigan 49464
(616) 654 3000 Phone
(616) 654 8278 Fax
www.HermanMiller.com/government

Business Size: Large

Contract Information

1a. Special Item Numbers (SIN)

SIN 33721

Furniture Systems, Computer Furniture, Filing and Storage, Tables and Accessories, Upholstered Seating and Multi-Purpose Seating, Project Management, Reconfiguration and Relocation Services, Design/Layout and Installation Services

SIN 33721P

Packaged Offices

SIN 337127

Modular Laboratory Furniture Systems

SIN 339113H

Healthcare Furniture

SIN OLM

Order-Level Materials (OLMs)

This SIN is only for products and/or services used in direct support of the purchase of new furniture. It requires approval from the ordering Contract Officer. Please contact your local MillerKnoll Inc. representative to discuss the appropriate use of this SIN.

SIN 532289

Leasing

Contact MillerKnoll Inc participating government dealer for current leasing information.

1b. Lowest Priced Model

SIN 33721:	BVP3.S	\$7.27
SIN 33127:	TW113	\$5.81
SIN 339113H:	CR900NR	\$483.80

1c. Service Rates

Project Management

Furniture Project Manager: \$64.75 per hour
 Furniture Project Coordinator: \$49.00 per hour
 Build-Out Project Manager: \$80.00 per hour

Reconfiguration and Relocation Services

Not to exceed \$55 per hour.

See * Additional Notes for Installation & Reconfiguration and Relocation Services.

Design/Layout

Not to exceed \$65 per hour.

Installation Services

Not to exceed \$55 per hour (\$82.50 per hour for after-hours Installation).

See * Additional Notes for Installation & Reconfiguration and Relocation Services.

2. Maximum Order

SIN 33721, 337127, NEW, OLM

\$250,000 net product value

SIN 33721P

\$250,000 net value

SIN 339113H

\$500,000 net product value

3. Minimum Order

\$100 net

4. Geographic Coverage

Continental U.S.

Orders for Alaska, Hawaii, and Puerto Rico will be shipped F.O.B. inland carrier point of exportation.

5. Point of Production

Zeeland, Ottawa County, Michigan

Spring Lake, Ottawa County, Michigan

6. Pricing

Prices shown are list. Discounts include Industrial Funding Fee.

SIN 33721

Standard Lead Time, Single Order Net Purchase \$100 - 250,000, includes approved Herman Miller Options Products.

Product Line	Discount From List
Action Office 1	73.8%
Action Office 2	73.8%
Aeron	64.5%
Ambit Workspace Solutions	74.3%
Aside	64.2%
C-Style Overhead Storage	73.8%
Canvas Office Landscape Channel	74.8%
Canvas Office Landscape Dock	74.8%
Canvas Metal Desk	74.8%
Canvas Office Landscape Metal Storage	74.8%
Canvas Office Landscape Private Office	74.8%
Canvas Office Landscape Wood Storage	74.8%
Canvas Office Landscape Vista	74.8%
Canvas Office Landscape Wall	74.8%
Caper	61.5%
Commend Nurses Station	73.3%
Cosm	61.7%
Eames® Conference & Dining Tables	73.6%
Easton Family	54.91%
Embody	59.7%
Energy Distribution Systems	73.8%
Ethospace System	73.8%
Everywhere™ Tables	73.8%
Exclave	61.7%
Fuld	59.7%
Headway™ Tables	73.8%
Intent Solution	58.7%

Contract Information

continued

Layout Studio®	60.7%
Lighting	73.8%
Lino	63.7%
Meridian Laterals	67.3%
Meridian Pedestals	64.2%
Meridian Towers	62.7%
Meridian Storage	62.7%
Mirra 2	61.7%
Motia Tables	73.8%
Nemschoff	54.91%
Nevi™ Tables	73.8%
Nevi Link	73.8%
OE1 Boundary	72.8%
OE1 Micro Packs	73.8%
OE1 Storage	72.8%
OE1 Tables and Benching	73.8%
Overlay™	62.7%
Plex® Lounge Furniture	59.5%
Public Office Landscape	61.7%
Renew™ Tables	73.8%
Renew Link	73.8%
Sayl	62.2%
Setu	59.7%
Swoop Lounge Furniture	60.7%
Thrive Portfolio	62.0%
Thrive Portfolio-CBS Products Extension	62.0%
Tu Lateral Files	74.3%
Tu Pedestals	73.8%
Tu Storage	74.3%
Tu Towers	74.3%
Tu Wood Cases	74.3%
Tu Wood Cubbies	74.3%
Tu Wood Credenzas	74.3%
Tu Wood Pedestals	74.3%
Tu Wood Towers	74.3%
Valor™ Family	54.91%
Verus	63.7%
Zeph	60.2%

Services

Please refer to section 19 for Terms and Conditions of Installation/ Reconfiguration and Relocation Services.

Project Management

Services under this SIN may be used only in conjunction with the purchase of new furniture. Please contact your local MillerKnoll Inc. representative to discuss the available labor categories (listed below). The hourly rates listed are “Not To Exceed” or “NTE” values.

Furniture Project Manager: \$64.75 per hour
 Furniture Project Coordinator: \$49.00 per hour
 Build-Out Project Manager: \$80.00 per hour

Reconfiguration and Relocation Services

Reconfiguration and Relocation Services will be provided by MillerKnoll Inc. or its participating dealer based on a fee not to exceed \$55 per hour.

See * Additional Notes for Installation & Reconfiguration and Relocation Services.

Design/Layout

Design service will be provided by MillerKnoll Inc. or its participating dealer based on a fee not to exceed \$65 per hour.

Installation Services

Installation Services will be provided by MillerKnoll Inc. or its participating dealer based on a fee not to exceed \$55 per hour (\$82.50 per hour for after-hours Installation).

See * Additional Notes for Installation & Reconfiguration and Relocation Services.

SIN 337127

Standard Lead Time, Single Order Net Purchase \$100 - 250,000, includes approved Herman Miller Options Products.

Product Line	Discount From List
Action Lab	58.5%
Compass System	58.5%
Co/Struc System	58.5%
Healthcare Carts	18.0%
Mora System	58.5%
Bedside Cabinets	58.5%

SIN 33721P

Packaged Office Furniture - Maximum Order \$250,000 (net).

Includes packaged furniture solutions for customers needing to furnish an office.

SIN 339113H

Standard Lead Time, Single Order Net Purchase \$100 - 500,000, includes approved Herman Miller Options Products.

Product Line	Discount From List
Nemschoff Healthcare Furniture	54.91%

7. Quantity Discounts

Reference item #6.

8. Payment Terms

Net 30 days

9. Foreign Items

None

10. Time of Delivery

- a. 90 day ARO
- b. Expedited delivery: Items listed in the 10-Day section of the catalogs are available for expedited delivery.
- c. Overnight/2-day delivery: Select items may be available for overnight or 2-day delivery. Contact MillerKnoll Inc. or a participating dealer for availability and rates.
- d. Urgent requirements: Agencies may contact contractor or participating dealer to request faster delivery.

11. F.O.B.

F.O.B. destination except Alaska, Hawaii, and Puerto Rico, which will be shipped F.O.B. inland carrier point of exportation.

Contract Information

continued

12. Ordering Address

- a. MillerKnoll Inc.
Government Customer Care 0161
855 East Main Avenue
Zeeland MI 49464.
- b. For supplies and services, the ordering procedures information on Blanket Purchase Agreements (BPA's) are found in Federal Acquisition Regulation (FAR) 8.405-3.

13. Payment Address.

MillerKnoll Inc.
22764 Network Place
Chicago, IL 60673-1227

14. Warranty

MillerKnoll Inc. commercial warranty applies.

15. Export Packing Charge

Prices supplied on request.

16. Rental Maintenance and Repair Terms

Not applicable

17. Terms and Conditions of Installation/Reconfiguration and Relocation Services

* Additional Notes for Installation & Reconfiguration and Relocation Services:

FOB Destination (Drop Ship): Price includes product delivery to the site, brought to the tailgate of the truck. The purchaser is responsible for unloading.

Prices effective up to the maximum order by SIN only. Above the MO, pricing shall be negotiated on a case-by-case basis between the client and local dealer.

Standard Services are Subject to the Following Conditions:

Installation will be performed during normal weekday working hours.

Adequate facilities for delivery, unloading, moving and staging/storing the product during the installation process shall be provided.

Service work will not be hindered by other trades.

Electric, heat, and adequate elevator service will be furnished without charge.

The immediate installation area shall be complete and free of debris including the carpet/flooring before installation commences.

Any work requiring a licensed electrician is the responsibility of the buyer.

Additional Charges May Apply For:

Major Metro Markets and any non-ground floor installation.

Major Metro Markets include large population centers and urban environments.

Installation in a clinical/medical environment.

Special restrictions or limits established by local laws, ordinances or the directions of the buyer, including but not limited to restrictions on transportations of materials, street access to the job site and/or dock facilities.
Installations outside of a 50 mile radius of the servicing dealer.
Local Prevailing Wage and/or Union Labor Rates.
Any additional charges shall be quoted by the dealer and approved by the buyer prior to performance of the work.

18. Terms and Conditions of Repair Parts

Not applicable

19. Service and Distribution Points

For service and distribution points nearest you, call (800) 851 1196.

20. Participating Dealers

Access Herman Miller web site for current list of participating dealers: www.HermanMiller.com/where-to-buy/contact-a-dealer/. Select your market by using the filter.

21. Preventive Maintenance

Not applicable

22a. Special Attributes.

2022

MillerKnoll earns its 15th consecutive perfect score in Human Rights Campaign Foundation's 2022 Corporate Equality Index.

2021

The OE1 Trolley and Micro Packs are both winners of the 2021 Archiproducts international design competition in the Office Category.

MillerKnoll is named to Michigan's Best and Brightest in Wellness List for 2021.

MillerKnoll is awarded Platinum Rating in CSR by EcoVadis.

OE1 is named winner of Wallpaper's "Most Futuristic Furniture" Category as part of their first-ever Smart Space Awards.

OE1 receives the Workplace category award from Fast Company's 2021 Innovation by Design Awards.

MillerKnoll is named to Fast Company's Annual List of the World's Most Innovative Companies for 2021.

MillerKnoll is recognized as a "Disclosure Leader" by the Chemical Footprint Project (CFP).

MillerKnoll earns its 14th consecutive perfect score in Human Rights Campaign Foundation's 2021 Corporate Equality Index.

Contract Information

continued

MillerKnoll is named to Newsweek's List of America's Most Responsible Companies 2021.

Great Lakes Women's Business Council awards MillerKnoll for "Excellence in Supplier Diversity" in the Best In Class category.

2020

Herman Miller is recognized with a 2020 FSC® Leadership Award for our commitment to responsible forestry management.

Herman Miller is named one of Investor's Business Daily Top 50 Best ESG (Environmental, Social, and Corporate Governance) Companies.

Working Mother names Herman Miller as one of the Best Companies for Dads.

Herman Miller is awarded Platinum Rating in CSR by EcoVadis.

Herman Miller is named Diversity Inc 2020 Noteworthy Company for recruitment efforts, employee development opportunities, leadership accountability, and supplier diversity.

Cosm, by Studio 7.5, receives an iF Gold Award in the Office and Industry category at the iF World Design Awards 2020.

Herman Miller earns its 13th consecutive perfect score in Human Rights Campaign Foundation's 2020 Corporate Equality Index.

2019

Mora System casework, designed by Collective Ten for Herman Miller, receives silver in the Industrial and Life Science Design/Medical Furniture category at the European Product Design Awards.

Mora System casework is awarded GOOD DESIGN Award 2019, selected for design excellence and innovation.

National Minority Supplier Diversity Council (NMSDC) names Herman Miller as the 2019 Class 1 Corporation of the Year for leadership in supplier diversity.

TIME Magazine names Cosm to its list of 100 Best Inventions of 2019.

Herman Miller is named #12 Overall and #2 in Manufacturing on Investor's Business Daily Best ESG (Environmental, Social, Governance) Companies.

Herman Miller is recognized as a silver level Certified Veteran-Friendly Employer by the Michigan Veterans Affairs Agency for a commitment to veteran hiring, retention, and development.

For the second year in a row, Herman Miller receives a Gold Medal from EcoVadis in recognition of Corporate Social Responsibility achievement measured in categories of environment, labor and human rights, ethics, and sustainable procurement.

Herman Miller is named "Frontrunner" in Chemical Footprint Project by Clean Production Action for our chemical management policies and practices.

Herman Miller receives International Interior Design Association and Contract's best showroom design award in the "Large Showroom" category at NeoCon.

Herman Miller earns its 12th consecutive perfect score in Human Rights Campaign Foundation's 2019 Corporate Equality Index.

Cosm, designed by Studio 7.5 for Herman Miller, receives a Red Dot Best of the Best Product Design Award in the "Office Chairs" category.

Lino, designed by Sam Hecht and Kim Colin for Herman Miller, receives an iF Design Award in the Product Design category.

2018

Overlay, designed by Birsell+Seck, receives Interior Design Best of Year Award in the Partitions and Wall Systems category.

Herman Miller receives the "Corporation of the Year" in consumer products award from the Michigan Minority Supplier Development Council.

Herman Miller achieves the Advanced Excellence in Supplier Diversity Award from the Great Lakes Women's Business Council for doing business with women-owned suppliers.

Great Lakes Women's Business Council awards Herman Miller for "Excellence in Supplier Diversity" in the Advanced category.

WEConnect awards Herman Miller an Honorable Mention for global supplier diversity initiatives.

As one of the top-scoring companies in the industry for the 14th consecutive year, Herman Miller has qualified for inclusion in RobecoSAM's 2018 Sustainability Yearbook and receives the Silver Class distinction for excellent sustainability performance—economic, environmental, and social.

For the 11th consecutive year, Herman Miller receives a perfect score on the Human Rights Campaign Foundation's Corporate Equality Index and is designated as Best Place to Work for LGBT equality. This report evaluates U.S. companies in terms of diversity, particularly LGBT-related policies and practices.

Contract Information

continued

Herman Miller receives Gold Medal from EcoVadis in recognition of Corporate Social Sustainability achievement measured in categories of environment, labor and human rights, ethics, and sustainable procurement. EcoVadis operates the first web-based collaborative platform that allows companies to assess the environmental and social performance of their global suppliers.

Aeron receives Good Design Award from The Chicago Athenaeum Museum of Architecture and Design.

The Cosm Chair wins Mix Interiors “Product of the Year—Task” award.

2017

Herman Miller receives “Rising Star Award” from the Michigan Veterans Affairs Agency (MVAA) for exhibiting new and novel approaches to veteran recruitment and hiring.

Herman Miller is named the 2017 “Corporation of the Year” in the consumer products sector by the Michigan Minority Supplier Development Council (MMSDC).

Herman Miller receives a 2017 SEAL (Sustainability, Environmental Achievement and Leadership) Business Sustainability Award. SEAL Award winners are determined by a holistic methodology measuring applicants against established benchmarks that demonstrate impact and progress toward creating a healthy planet and a sustainable future.

Herman Miller earns the 4 Star Diversity Visionary Award. This award celebrates the diversity, equality, and inclusion work of Herman Miller. The award is presented at the annual Diversity Equity Inclusion Summit, held by the Grand Rapids Area Chamber of Commerce.

Herman Miller is named one of the Best and Brightest in Wellness for the 5th year in a row.

Herman Miller earns its 10th consecutive perfect score in Human Rights Campaign Foundation’s 2017 Corporate Equality Index.

As one of the top-scoring companies in the industry for the 13th consecutive year, Herman Miller has qualified for inclusion in RobecoSAM’s 2017 Sustainability Yearbook and receives the Bronze Class distinction for excellent economic, environmental, and social sustainability performance. The selection criteria for inclusion in the Yearbook becomes more rigorous each year, and only the top 15 percent of companies within each industry are selected.

Herman Miller once again earns the WorldatWork Seal of Distinction, a unique standard of excellence in work-life effectiveness that shows we provide a distinct, mutually beneficial workplace experience. Herman Miller is the only furniture manufacturer among the 160 companies across the U.S. and Canada honored with the award.

Herman Miller’s Mora wins Nightingale Silver Award in the “Furniture Collections” category at the 2017 Healthcare Design Conference.

2016

Herman Miller earns 9th consecutive perfect score in Human Rights Campaign Foundation’s Corporate Equality Index and is designated as Best Place to Work for LGBT equality.

Herman Miller is recognized as the Business of the Year at the Annual Meeting of the West Michigan Environmental Action Council (WMEAC) for being an outstanding partner in support of the growth of WMEAC’s programs. WMEAC’s award goes to the business with the greatest depth and breadth of support, unwavering dedication to environmental action in West Michigan, and a strong corporate commitment to environmental advocacy.

The 101 Best and Brightest Sustainable Companies once again (5th consecutive year) recognizes Herman Miller as an organization in Michigan (and for the first time, in the nation) that exhibits leadership and innovation in its approach to sustainability. This award celebrates those companies that are making their businesses more sustainable, the lives of their employees better, and the community, both locally and globally, more responsible as a whole.

Herman Miller is recognized by the Michigan Minority Supplier Development Council (MMSDC) as a “Corporation of the Year”. Additionally, we are the only West Michigan company this year to receive an “Ambassadors Championing Excellence” Award from the MMSDC.

Herman Miller is recognized with “2016 Excellence in Supplier Diversity Award” from the Great Lakes Women’s Business Council.

Herman Miller is recognized as a 2016 Healthiest 100 Workplace in America, ranking 49th in the country for our commitment to health and exceptional corporate wellness programming.

Herman Miller receives the Best and Brightest in Wellness Award for the 4th year in a row. This program is an innovative initiative that recognizes and celebrates quality and excellence in health awareness.

The Michigan Occupational Safety and Health Administration renews Herman Miller’s “Star” status, the highest workplace safety and health designation, for the Hickory facility in Spring Lake.

Plex Lounge Furniture from Herman Miller receives #MetropolisLikes award at NeoCon 2016.

Plex Lounge Furniture from Herman Miller receives Interior Design HIP Award for Workplace Seating/Lounge at NeoCon 2016.

Herman Miller is named a 2016 Women on Boards Winning Company. Companies selected for this recognition are considered champions of board diversity as 20 percent or more of their board seats are occupied by women.

Herman Miller is selected for inclusion in the 2016 RobecoSAM Sustainability Yearbook for the 12th consecutive year.

Contract Information

continued

Herman Miller again earns the WorldatWork Work-Life 2016 Seal of Distinction. This award identifies organizations that focus on programs that promote work-life balance and overall well-being.

22b. Section 508 Compliance

Not applicable

23. Unique Entity ID: Q2K3MSZ843D8

24. Registered in System for Award Management (www.SAM.gov) Database

25. Cancellation

Prior to production, no cancellation charge will apply. After production, only actual cost incurred that the contractor can demonstrate if items are sold after 3 months.

26. Restocking Charges

Agencies must notify the contractor for authorization prior to returning any items. The customer agency will be required to pay all packaging and return freight charges. A restocking fee of 50% for Systems Furniture and 35% for all other product lines will be charged for any returned items.

Returns and restocking policy is not applicable to Options products, products under SIN 337127, 339113H and Nemschoff products.

MillerKnoll Inc. Miscellaneous Information:

Federal ID Number: 38-0837640

Commercial and Government Entity Code (CAGE): 40636

Data Universal Numbering System (DUNS) 00-601-2801

Commercial Entity Code (CEC): 00702290J

Introduction	page 2
Nemschoff® Easton Seating	5
Easy Access Chair	5
Patient Chair	7
Plus Chair	9
Side Chair	11
Three Seat	13
Two Seat	15
Nemschoff® Easton Tables	17
Spanner Table	17
Spanner Corner Table	19
Side Table	21
Coffee Table	23
Indices	25
By Name	25
By Number	27
Appendices	
20-Day or Less/Assigned Lead-Time Order Information	

Introduction

A Note on the Organization of This Book

There are a few signals that will help you understand the organization of this book. Once you know them, you should be able to find your way around easily.

Like a newspaper, this book is formatted with columns of text and illustrations that run vertically.

Information wraps from one column to the next and continues for as many pages as it needs to.

Black bars are clues.

A black bar at the top of a page signals the start of information about a product.

This information is divided into two sections, each signaled by a black bar. Product Information includes a description, additional notes, and dimensional drawings. Specification Information, which always begins at the top of a column, includes a series of steps. Each step represents a decision you need to make in order to complete your product number. Steps must be followed sequentially. The number of pages needed to complete information on a product varies; some will be complete in one page; others may fill three or four pages. Just continue going through the steps until you run into the next product, signaled by the black bar at the top of the page.

Black tabs running along the outside edge of the page help you locate what section you are in or what section you want to go to. You can thumb forwards or backwards to find a section; tabs and text appear on both sides of the page.

The additional pages in the back of the book include the appendices and indices. They are signaled by a long black bar running along the outside edge of the page.

The index is presented two ways.

The first index is in alphabetical order by product name. It can be helpful if you are new to the products and numbering scheme or if you are looking for a type of product, such as work chair or round table.

The second index is by product number. It lists, in alphanumeric order, the base product number, typically a five-digit number.

General Information

This book is effective January 30, 2023, subject to change without notice. Products may be purchased from authorized Herman Miller dealers who will quote prices upon request. For more information about our products and services or to see a list of dealers, visit www.HermanMiller.com.


All prices are list prices. Additional services, such as planning services, design, storage, and installation, are not included and must be added to these prices when the additional services are requested.


Illustrations, specifications, and prices are based on the latest information at the time of publication. The right is reserved to make changes at any time without notice in prices, fabrics, finishes, materials, specifications, and models, and also to discontinue models and finishes.

Dimensions shown in the drawings are engineering drawing dimensions rounded up to the nearest $\frac{1}{8}$ ". Product is shipped set up or knocked down. Products that include "Shipped knocked down" in the description require some assembly. If this statement does not appear in the description, the product is shipped assembled.

Service problems are normally handled by a Herman Miller authorized dealer. Where this cannot be accomplished on a local level, service problems should be referred to the Customer Care Representative for your region, Herman Miller, Inc., Zeeland, Michigan 49464.

20-Day or Less/Assigned Lead-Time Shipments

All products and options in this price book not designated by an Assigned Program icon  will ship in **20 business days or less** after being acknowledged by Herman Miller.

Products and options designated by an  are on the assigned lead-time program and may ship in 20 days, less than 20 days, or more than 20 days from order acknowledgement.

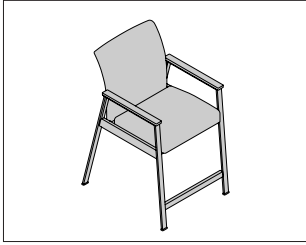
Seating

Tables



Nemschoff Easton Easy Access
Chair

897-1



Product Information

Description

Features:

- Powder-coated metal frame
- Replaceable components
- Steel footrail
- Heavy-duty steel construction
- Urethane arm caps
- Clean-out design
- Wall-saver legs
- Non-marring glides
- Indoor Advantage™ Gold Certified

Notes

Depth—29¹/₄"

Height—41¹/₂"

Width—24¹/₄"

Seat Width—20¹/₄"

Seat Height—26"

Arm Height—31¹/₂"

Weight—43 lbs

COM yardage:

Single Fabric—1³/₄ yards for open arms or 2¹/₄ yards for closed arms

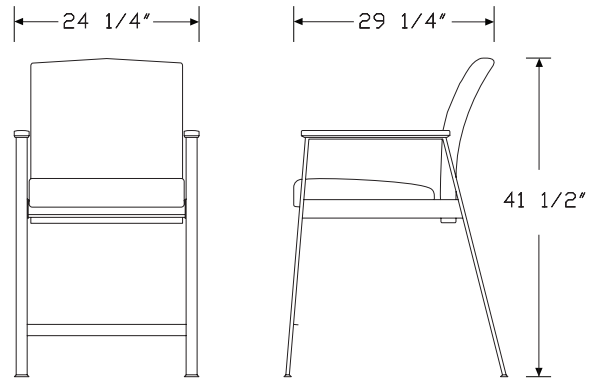
Multiple Fabrics:

Seat—1

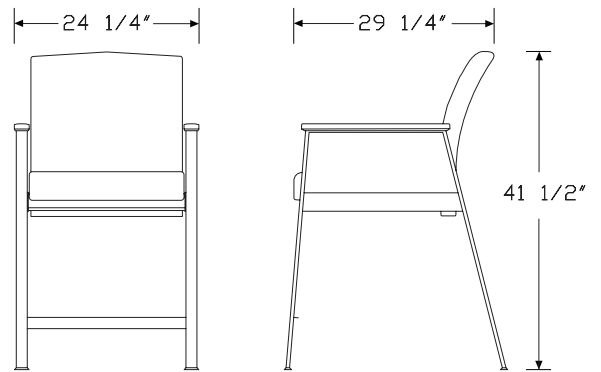
Back—1

Arm Panels—¹/₂

Dimensions



Open Arm



Closed Arm

Nemschoff® Easton Seating

Nemschoff Easton Easy Access Chair *continued*

Specification Information		
Step 1.		
897	<input type="checkbox"/>	
Step 2. Size		
-10EA	24.25" wide <input type="checkbox"/>	+\$1896
Step 3. Arm Type		
C	closed arm <input type="checkbox"/>	+\$325
O	open arms <input type="checkbox"/>	+\$0
Step 4. Covers		
P	removable covers <input type="checkbox"/>	+\$122
S	standard covers <input type="checkbox"/>	+\$0
Step 5. Fabric Configuration		
1F	one fabric <input type="checkbox"/>	+\$0
MF	multiple fabrics <input type="checkbox"/>	+\$118
Step 6. Arm Cap Detail		
K	solid surface arm caps <input type="checkbox"/>	+\$300
R	urethane arm caps <input type="checkbox"/>	+\$0
Step 7. Arm Cap Finish		
<i>For urethane arm caps (R)</i>		
BK	black <input type="checkbox"/>	+\$0
SG	slate grey <input type="checkbox"/>	+\$0
<i>For solid surface arm caps (K)</i>		
58	cameo white <input type="checkbox"/>	+\$0
ANC	antarctica <input type="checkbox"/>	+\$0
CQ	glacier white <input type="checkbox"/>	+\$0
QB	bisque <input type="checkbox"/>	+\$0
SVG	silver gray <input type="checkbox"/>	+\$0
Step 8. Powdercoat Finish		
BK	black <input type="checkbox"/>	+\$0
G1	graphite <input type="checkbox"/>	+\$0
MSS	metallic silver smooth <input type="checkbox"/>	+\$0
MST	metallic silver textured <input type="checkbox"/>	+\$0
XTS	titanium smooth <input type="checkbox"/>	+\$0
XTT	titanium textured <input type="checkbox"/>	+\$0

Step 9. Moisture Barrier Option		
MBB	moisture barrier back only <input type="checkbox"/>	+\$75
MBN	no moisture barrier <input type="checkbox"/>	+\$0
MBS	moisture barrier seat only <input type="checkbox"/>	+\$75
MBX	moisture barrier seat and back <input type="checkbox"/>	+\$150

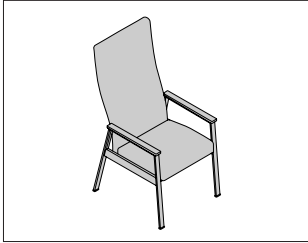
Step 10. MicrobeCare Selection		
MCN	no MicrobeCare protection <input type="checkbox"/>	+\$0
MCY	MicrobeCare protection <input type="checkbox"/>	+\$50

Step 11.		
Fabric		
<i>For one fabric (1F)</i>		
Price Category (Nemschoff) Series 3	<input type="checkbox"/>	+\$0
Price Category (Nemschoff) Series 4	<input type="checkbox"/>	+\$102
Price Category (Nemschoff) Series 5	<input type="checkbox"/>	+\$209
Price Category (Nemschoff) Series 6	<input type="checkbox"/>	+\$335
Price Category (Nemschoff) Series 7	<input type="checkbox"/>	+\$462
Price Category (Nemschoff) Series 8	<input type="checkbox"/>	+\$621

Seat Fabric		
<i>For multiple fabrics (MF)</i>		
Price Category (Nemschoff) Series 3	<input type="checkbox"/>	+\$0
Price Category (Nemschoff) Series 4	<input type="checkbox"/>	+\$75
Price Category (Nemschoff) Series 5	<input type="checkbox"/>	+\$147
Price Category (Nemschoff) Series 6	<input type="checkbox"/>	+\$232
Price Category (Nemschoff) Series 7	<input type="checkbox"/>	+\$316
Price Category (Nemschoff) Series 8	<input type="checkbox"/>	+\$421

Step 12. Back Fabric		
<i>For multiple fabrics (MF)</i>		
Price Category (Nemschoff) Series 3	<input type="checkbox"/>	+\$0
Price Category (Nemschoff) Series 4	<input type="checkbox"/>	+\$69
Price Category (Nemschoff) Series 5	<input type="checkbox"/>	+\$132
Price Category (Nemschoff) Series 6	<input type="checkbox"/>	+\$205
Price Category (Nemschoff) Series 7	<input type="checkbox"/>	+\$284
Price Category (Nemschoff) Series 8	<input type="checkbox"/>	+\$375

Step 13. Arm Fabric		
<i>For closed arm (C) with multiple fabrics (MF)</i>		
Price Category (Nemschoff) Series 3	<input type="checkbox"/>	+\$0
Price Category (Nemschoff) Series 4	<input type="checkbox"/>	+\$44
Price Category (Nemschoff) Series 5	<input type="checkbox"/>	+\$90
Price Category (Nemschoff) Series 6	<input type="checkbox"/>	+\$144
Price Category (Nemschoff) Series 7	<input type="checkbox"/>	+\$199
Price Category (Nemschoff) Series 8	<input type="checkbox"/>	+\$268



Product Information

Description

Features:

- Powder-coated metal frame
- Replaceable components
- Heavy-duty steel construction
- Urethane arm caps
- Clean-out design
- Wall-saver legs
- Non-marring glides
- Indoor Advantage™ Gold Certified

Notes

Only gangs to spanner and corner spanner tables with open arms selected.

Depth—26³/₄"

Height—48"

Width—24¹/₄"

Seat Width—20¹/₄"

Seat Height—19"

Arm Height—25¹/₄"

Weight—42 lbs

COM yardage:

Single Fabric—2 yards for open arms or 2¹/₂ yards for closed arms

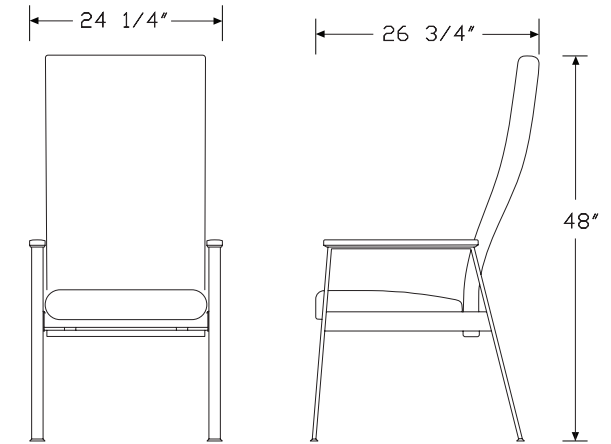
Multiple Fabrics:

Seat—1

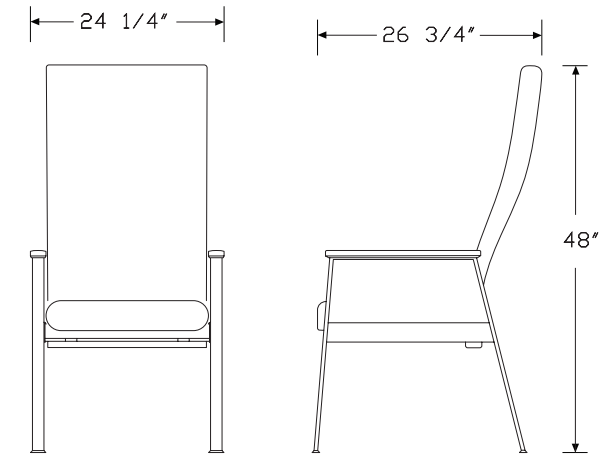
Back—1³/₄

Arm Panels—¹/₂

Dimensions



Open Arm



Closed Arm

Nemschoff Easton Patient Chair

continued

Nemschoff® Easton Seating

Specification Information

Step 1.

897

Step 2. Size

-51 24.25" wide +\$1639

Step 3. Arm Type

C closed arm +\$325

O open arms +\$0

Step 4. Covers

P removable covers +\$135

S standard covers +\$0

Step 5. Fabric Configuration

1F one fabric +\$0

MF multiple fabrics +\$118

Step 6. Arm Cap Detail

K solid surface arm caps +\$300

R urethane arm caps +\$0

Step 7. Arm Cap Finish

For urethane arm caps (R)

BK black +\$0

SG slate grey +\$0

For solid surface arm caps (K)

58 cameo white +\$0

ANC antarctica +\$0

CQ glacier white +\$0

QB bisque +\$0

SVG silver gray +\$0

Step 8. Powdercoat Finish

BK black +\$0

G1 graphite +\$0

MSS metallic silver smooth +\$0

MST metallic silver textured +\$0

XTS titanium smooth +\$0

XTT titanium textured +\$0

Step 9. Moisture Barrier Option

MBB moisture barrier back only +\$75

MBN no moisture barrier +\$0

MBS moisture barrier seat only +\$75

MBX moisture barrier seat and back +\$150

Step 10. MicrobeCare Selection

MCN no MicrobeCare protection +\$0

MCY MicrobeCare protection +\$75

Step 11.

Fabric

For one fabric (1F)

Price Category (Nemschoff) Series 3 +\$0

Price Category (Nemschoff) Series 4 +\$117

Price Category (Nemschoff) Series 5 +\$239

Price Category (Nemschoff) Series 6 +\$384

Price Category (Nemschoff) Series 7 +\$530

Price Category (Nemschoff) Series 8 +\$713

Seat Fabric

For multiple fabrics (MF)

Price Category (Nemschoff) Series 3 +\$0

Price Category (Nemschoff) Series 4 +\$75

Price Category (Nemschoff) Series 5 +\$147

Price Category (Nemschoff) Series 6 +\$232

Price Category (Nemschoff) Series 7 +\$316

Price Category (Nemschoff) Series 8 +\$421

Step 12. Back Fabric

For multiple fabrics (MF)

Price Category (Nemschoff) Series 3 +\$0

Price Category (Nemschoff) Series 4 +\$120

Price Category (Nemschoff) Series 5 +\$231

Price Category (Nemschoff) Series 6 +\$361

Price Category (Nemschoff) Series 7 +\$496

Price Category (Nemschoff) Series 8 +\$657

Step 13. Arm Fabric

For closed arm (C) with multiple fabrics (MF)

Price Category (Nemschoff) Series 3 +\$0

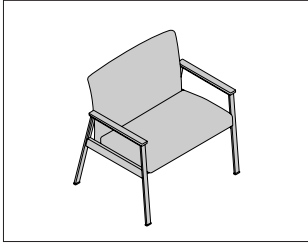
Price Category (Nemschoff) Series 4 +\$44

Price Category (Nemschoff) Series 5 +\$90

Price Category (Nemschoff) Series 6 +\$144

Price Category (Nemschoff) Series 7 +\$199

Price Category (Nemschoff) Series 8 +\$268



Product Information

Description

Features:

- Powder-coated metal frame
- Replaceable components
- Heavy-duty steel construction
- Urethane arm caps
- Clean-out design
- Wall-saver legs
- Non-marring glides
- Indoor Advantage™ Gold Certified

Notes

Only gangs to spanner and corner spanner tables with open arms selected.

Depth—26³/₄"

Height—35¹/₄"

Width—34"

Seat Width—30"

Seat Height—19"

Arm Height—25¹/₄"

Weight—47 lbs

COM yardage:

Single Fabric—2³/₄ yards for open arms or 3¹/₄ yards for closed arms

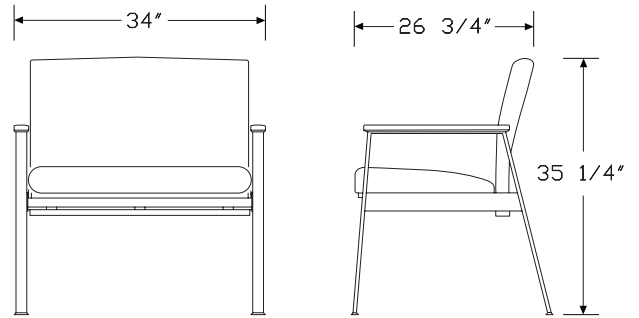
Multiple Fabrics:

Seat—1

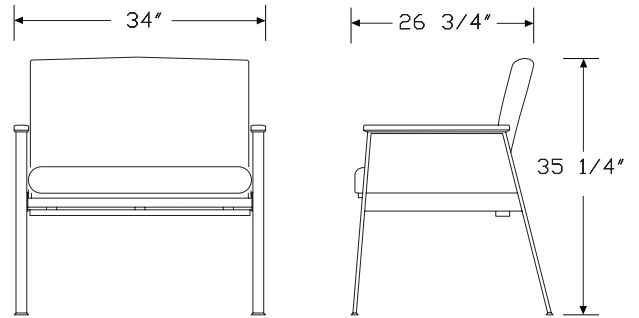
Back—1³/₄

Arm Panels—¹/₂

Dimensions



Open Arm



Closed Arm

Nemschoff Easton Plus Chair

continued

Nemschoff® Easton Seating

Specification Information

Step 1.

897

Step 2. Size

-OB30 34" wide +\$1852

Step 3. Arm Type

C closed arm +\$325

O open arms +\$0

Step 4. Covers

P removable covers +\$169

S standard covers +\$0

Step 5. Fabric Configuration

1F one fabric +\$0

MF multiple fabrics +\$118

Step 6. Arm Cap Detail

K solid surface arm caps +\$300

R urethane arm caps +\$0

Step 7. Arm Cap Finish

For urethane arm caps (R)

BK black +\$0

SG slate grey +\$0

For solid surface arm caps (K)

58 cameo white +\$0

ANC antarctica +\$0

CQ glacier white +\$0

QB bisque +\$0

SVG silver gray +\$0

Step 8. Powdercoat Finish

BK black +\$0

G1 graphite +\$0

MSS metallic silver smooth +\$0

MST metallic silver textured +\$0

XTS titanium smooth +\$0

XTT titanium textured +\$0

Step 9. Moisture Barrier Option

MBB moisture barrier back only +\$75

MBN no moisture barrier +\$0

MBS moisture barrier seat only +\$75

MBX moisture barrier seat and back +\$150

Step 10. MicrobeCare Selection

MCN no MicrobeCare protection +\$0

MCY MicrobeCare protection +\$75

Step 11.

Fabric

For one fabric (1F)

Price Category (Nemschoff) Series 3 +\$0

Price Category (Nemschoff) Series 4 +\$160

Price Category (Nemschoff) Series 5 +\$326

Price Category (Nemschoff) Series 6 +\$525

Price Category (Nemschoff) Series 7 +\$725

Price Category (Nemschoff) Series 8 +\$976

Seat Fabric

For multiple fabrics (MF)

Price Category (Nemschoff) Series 3 +\$0

Price Category (Nemschoff) Series 4 +\$73

Price Category (Nemschoff) Series 5 +\$148

Price Category (Nemschoff) Series 6 +\$234

Price Category (Nemschoff) Series 7 +\$322

Price Category (Nemschoff) Series 8 +\$434

Step 12. Back Fabric

For multiple fabrics (MF)

Price Category (Nemschoff) Series 3 +\$0

Price Category (Nemschoff) Series 4 +\$124

Price Category (Nemschoff) Series 5 +\$249

Price Category (Nemschoff) Series 6 +\$396

Price Category (Nemschoff) Series 7 +\$547

Price Category (Nemschoff) Series 8 +\$731

Step 13. Arm Fabric

For closed arm (C) with multiple fabrics (MF)

Price Category (Nemschoff) Series 3 +\$0

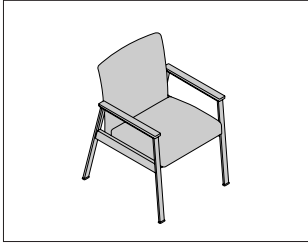
Price Category (Nemschoff) Series 4 +\$44

Price Category (Nemschoff) Series 5 +\$90

Price Category (Nemschoff) Series 6 +\$144

Price Category (Nemschoff) Series 7 +\$199

Price Category (Nemschoff) Series 8 +\$268



Product Information

Description

Features:

- Powder-coated metal frame
- Replaceable components
- Heavy-duty steel construction
- Urethane arm caps
- Clean-out design
- Wall-saver legs
- Non-marring glides
- Indoor Advantage™ Gold Certified

Notes

Only gangs to spanner and corner spanner tables with open arms selected.

Depth—26³/₄"

Height—35¹/₄"

Width—24¹/₄"

Seat Width—20¹/₄"

Seat Height—19"

Arm Height—25¹/₄"

Weight—39 lbs

COM yardage:

Single Fabric—1³/₄ yards for open arms or 2¹/₄ yards for closed arms

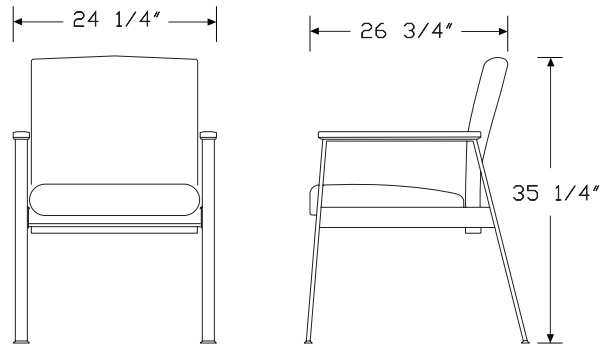
Multiple Fabrics:

Seat—1

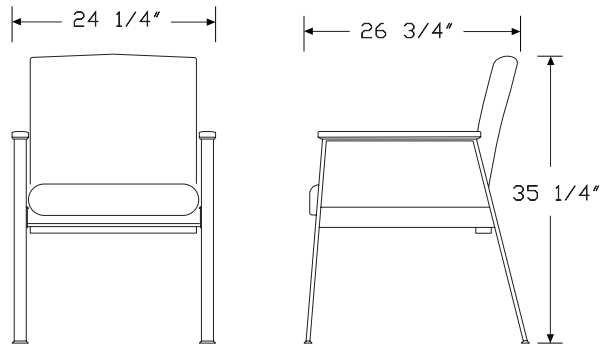
Back—1

Arm Panels—¹/₂

Dimensions



Side Chair - Open Arm



Side Chair - Closed Arm

Nemschoff Easton Side Chair

continued

Nemschoff® Easton Seating

Specification Information

Step 1.

897

Step 2. Size

-10 24.25" wide +\$1401

Step 3. Arm Type

C closed arm +\$325

O open arms +\$0

Step 4. Covers

P removable covers +\$122

S standard covers +\$0

Step 5. Fabric Configuration

1F one fabric +\$0

MF multiple fabrics +\$118

Step 6. Arm Cap Detail

K solid surface arm caps +\$300

R urethane arm caps +\$0

Step 7. Arm Cap Finish

For urethane arm caps (R)

BK black +\$0

SG slate grey +\$0

For solid surface arm caps (K)

58 cameo white +\$0

ANC antarctica +\$0

CQ glacier white +\$0

QB bisque +\$0

SVG silver gray +\$0

Step 8. Powdercoat Finish

BK black +\$0

G1 graphite +\$0

MSS metallic silver smooth +\$0

MST metallic silver textured +\$0

XTS titanium smooth +\$0

XTT titanium textured +\$0

Step 9. Moisture Barrier Option

MBB moisture barrier back only +\$75

MBN no moisture barrier +\$0

MBS moisture barrier seat only +\$75

MBX moisture barrier seat and back +\$150

Step 10. MicrobeCare Selection

MCN no MicrobeCare protection +\$0

MCY MicrobeCare protection +\$50

Step 11.

Fabric

For one fabric (1F)

Price Category (Nemschoff) Series 3 +\$0

Price Category (Nemschoff) Series 4 +\$102

Price Category (Nemschoff) Series 5 +\$209

Price Category (Nemschoff) Series 6 +\$335

Price Category (Nemschoff) Series 7 +\$462

Price Category (Nemschoff) Series 8 +\$621

Seat Fabric

For multiple fabrics (MF)

Price Category (Nemschoff) Series 3 +\$0

Price Category (Nemschoff) Series 4 +\$75

Price Category (Nemschoff) Series 5 +\$147

Price Category (Nemschoff) Series 6 +\$232

Price Category (Nemschoff) Series 7 +\$316

Price Category (Nemschoff) Series 8 +\$421

Step 12. Back Fabric

For multiple fabrics (MF)

Price Category (Nemschoff) Series 3 +\$0

Price Category (Nemschoff) Series 4 +\$69

Price Category (Nemschoff) Series 5 +\$132

Price Category (Nemschoff) Series 6 +\$205

Price Category (Nemschoff) Series 7 +\$284

Price Category (Nemschoff) Series 8 +\$375

Step 13. Arm Fabric

For closed arm (C) with multiple fabrics (MF)

Price Category (Nemschoff) Series 3 +\$0

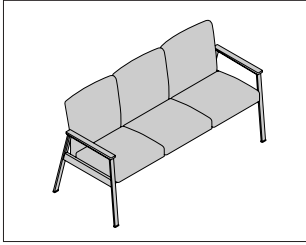
Price Category (Nemschoff) Series 4 +\$44

Price Category (Nemschoff) Series 5 +\$90

Price Category (Nemschoff) Series 6 +\$144

Price Category (Nemschoff) Series 7 +\$199

Price Category (Nemschoff) Series 8 +\$268



Product Information

Description

Features:

- Powder-coated metal frame
- Replaceable components
- Heavy-duty steel construction
- Urethane arm caps
- Clean-out design
- Wall-saver legs
- Non-marring glides
- Indoor Advantage™ Gold Certified

Notes

Only gangs to spanner and corner spanner tables with open arms selected.

Depth—26³/₄"

Height—35¹/₄"

Width—65"

Seat Width—61"

Seat Height—19"

Arm Height—25¹/₄"

Weight—74 lbs

COM yardage:

Single Fabric—4¹/₂ yards for open arms or 5 yards for closed arms

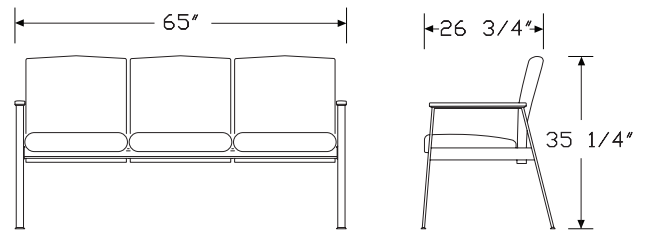
Multiple Fabrics:

Seat—3¹/₄

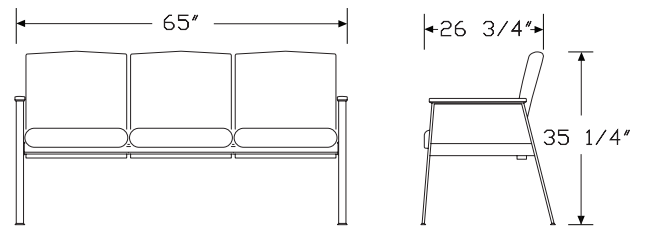
Back—2³/₄

Arm Panels—¹/₂

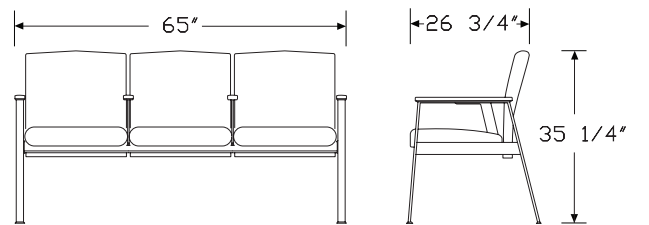
Dimensions



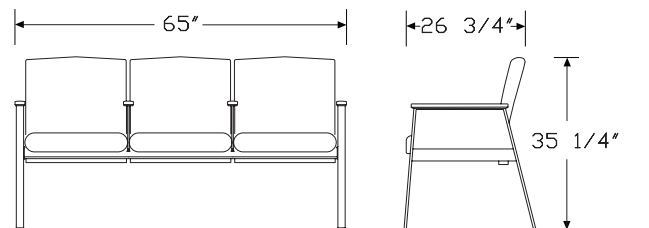
3 Seat - Open Arm



3 Seat - Closed Arm



3 Seat Divider - Open Arm



3 Seat Divider - Closed Arm

Nemschoff Easton Three Seat

continued

Nemschoff® Easton Seating

Specification Information		
Step 1.		
897	<input type="checkbox"/>	
Step 2. Size		
-30	65" wide <input type="checkbox"/>	+\$3575
Step 3. Intervening Arm Option		
A	include intervening arm(s) <input type="checkbox"/>	+\$450
N	no intervening arm(s) <input type="checkbox"/>	+\$0
Step 4. Arm Type		
C	closed arm <input type="checkbox"/>	+\$325
O	open arms <input type="checkbox"/>	+\$0
Step 5. Covers		
P	removable covers <input type="checkbox"/>	+\$276
S	standard covers <input type="checkbox"/>	+\$0
Step 6. Fabric Configuration		
1F	one fabric <input type="checkbox"/>	+\$0
MF	multiple fabrics <input type="checkbox"/>	+\$118
Step 7. Arm Cap Detail		
K	solid surface arm caps <input type="checkbox"/>	+\$300
R	urethane arm caps <input type="checkbox"/>	+\$0
Step 8. Arm Cap Finish		
<i>For urethane arm caps (R)</i>		
BK	black <input type="checkbox"/>	+\$0
SG	slate grey <input type="checkbox"/>	+\$0
<i>For solid surface arm caps (K)</i>		
58	cameo white <input type="checkbox"/>	+\$0
ANC	antarctica <input type="checkbox"/>	+\$0
CQ	glacier white <input type="checkbox"/>	+\$0
QB	bisque <input type="checkbox"/>	+\$0
SVG	silver gray <input type="checkbox"/>	+\$0
Step 9. Powdercoat Finish		
BK	black <input type="checkbox"/>	+\$0
G1	graphite <input type="checkbox"/>	+\$0
MSS	metallic silver smooth <input type="checkbox"/>	+\$0
MST	metallic silver textured <input type="checkbox"/>	+\$0
XTS	titanium smooth <input type="checkbox"/>	+\$0
XTT	titanium textured <input type="checkbox"/>	+\$0

Step 10. Moisture Barrier Option		
MBB	moisture barrier back only <input type="checkbox"/>	+\$225
MBN	no moisture barrier <input type="checkbox"/>	+\$0
MBS	moisture barrier seat only <input type="checkbox"/>	+\$225
MBX	moisture barrier seat and back <input type="checkbox"/>	+\$450

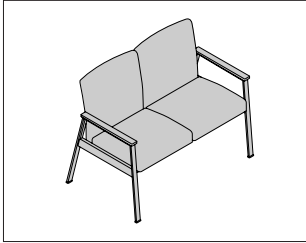
Step 11. MicrobeCare Selection		
MCN	no MicrobeCare protection <input type="checkbox"/>	+\$0
MCY	MicrobeCare protection <input type="checkbox"/>	+\$100

Step 12.		
Fabric		
<i>For one fabric (1F)</i>		
Price Category (Nemschoff) Series 3	<input type="checkbox"/>	+\$0
Price Category (Nemschoff) Series 4	<input type="checkbox"/>	+\$261
Price Category (Nemschoff) Series 5	<input type="checkbox"/>	+\$534
Price Category (Nemschoff) Series 6	<input type="checkbox"/>	+\$859
Price Category (Nemschoff) Series 7	<input type="checkbox"/>	+\$1186
Price Category (Nemschoff) Series 8	<input type="checkbox"/>	+\$1596

Seat Fabric		
<i>For multiple fabrics (MF)</i>		
Price Category (Nemschoff) Series 3	<input type="checkbox"/>	+\$0
Price Category (Nemschoff) Series 4	<input type="checkbox"/>	+\$195
Price Category (Nemschoff) Series 5	<input type="checkbox"/>	+\$374
Price Category (Nemschoff) Series 6	<input type="checkbox"/>	+\$591
Price Category (Nemschoff) Series 7	<input type="checkbox"/>	+\$808
Price Category (Nemschoff) Series 8	<input type="checkbox"/>	+\$1077

Step 13. Back Fabric		
<i>For multiple fabrics (MF)</i>		
Price Category (Nemschoff) Series 3	<input type="checkbox"/>	+\$0
Price Category (Nemschoff) Series 4	<input type="checkbox"/>	+\$175
Price Category (Nemschoff) Series 5	<input type="checkbox"/>	+\$336
Price Category (Nemschoff) Series 6	<input type="checkbox"/>	+\$527
Price Category (Nemschoff) Series 7	<input type="checkbox"/>	+\$722
Price Category (Nemschoff) Series 8	<input type="checkbox"/>	+\$967

Step 14. Arm Fabric		
<i>For closed arm (C) with multiple fabrics (MF)</i>		
Price Category (Nemschoff) Series 4	<input type="checkbox"/>	+\$44
Price Category (Nemschoff) Series 6	<input type="checkbox"/>	+\$144



Product Information

Description

Features:

- Powder-coated metal frame
- Replaceable components
- Heavy-duty steel construction
- Urethane arm caps
- Clean-out design
- Wall-saver legs
- Non-marring glides
- Indoor Advantage™ Gold Certified

Notes

Only gangs to spanner and corner spanner tables with open arms selected.

Depth—26³/₄"

Height—35¹/₄"

Width—44³/₄"

Seat Width—40³/₄"

Seat Height—19"

Arm Height—25¹/₄"

Weight—57 lbs

COM yardage:

Single Fabric—3¹/₄ yards for open arms or 3³/₄ yards for closed arms

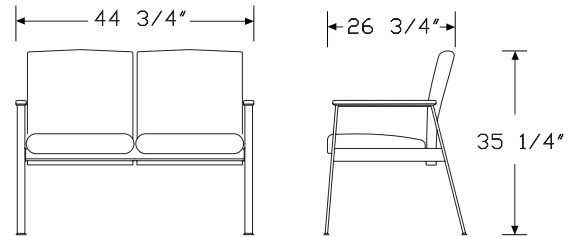
Multiple Fabrics:

Seat—2

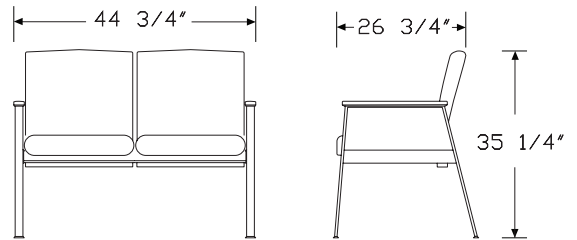
Back—2

Arm Panels—1/2

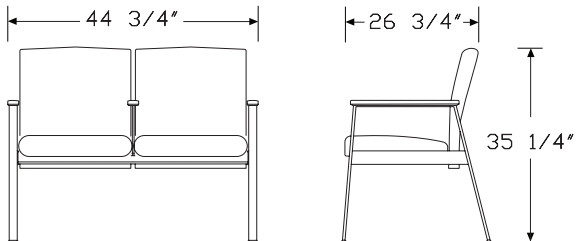
Dimensions



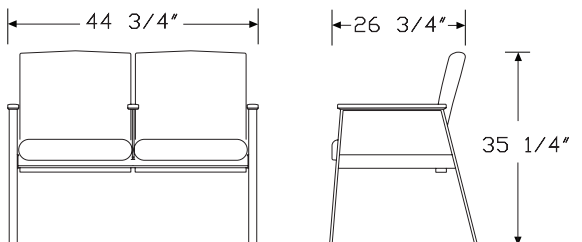
2 Seat - Open Arm



2 Seat - Closed Arm



2 Seat Divider - Open Arm



2 Seat Divider - Closed Arm

Nemschoff Easton Two Seat

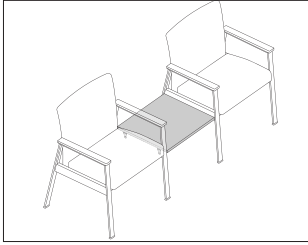
continued

Nemschoff® Easton Seating

Specification Information		
Step 1.		
897	<input type="checkbox"/>	
Step 2. Size		
-20	44.75" wide <input type="checkbox"/>	+\$2574
Step 3. Intervening Arm Option		
A	include intervening arm(s) <input type="checkbox"/>	+\$250
N	no intervening arm(s) <input type="checkbox"/>	+\$0
Step 4. Arm Type		
C	closed arm <input type="checkbox"/>	+\$325
O	open arms <input type="checkbox"/>	+\$0
Step 5. Covers		
P	removable covers <input type="checkbox"/>	+\$202
S	standard covers <input type="checkbox"/>	+\$0
Step 6. Fabric Configuration		
1F	one fabric <input type="checkbox"/>	+\$0
MF	multiple fabrics <input type="checkbox"/>	+\$118
Step 7. Arm Cap Detail		
K	solid surface arm caps <input type="checkbox"/>	+\$300
R	urethane arm caps <input type="checkbox"/>	+\$0
Step 8. Arm Cap Finish		
<i>For urethane arm caps (R)</i>		
BK	black <input type="checkbox"/>	+\$0
SG	slate grey <input type="checkbox"/>	+\$0
<i>For solid surface arm caps (K)</i>		
58	cameo white <input type="checkbox"/>	+\$0
ANC	antarctica <input type="checkbox"/>	+\$0
CQ	glacier white <input type="checkbox"/>	+\$0
QB	bisque <input type="checkbox"/>	+\$0
SVG	silver gray <input type="checkbox"/>	+\$0
Step 9. Powdercoat Finish		
BK	black <input type="checkbox"/>	+\$0
G1	graphite <input type="checkbox"/>	+\$0
MSS	metallic silver smooth <input type="checkbox"/>	+\$0
MST	metallic silver textured <input type="checkbox"/>	+\$0
XTS	titanium smooth <input type="checkbox"/>	+\$0
XTT	titanium textured <input type="checkbox"/>	+\$0

Step 10. Moisture Barrier Option		
MBB	moisture barrier back only <input type="checkbox"/>	+\$150
MBN	no moisture barrier <input type="checkbox"/>	+\$0
MBS	moisture barrier seat only <input type="checkbox"/>	+\$150
MBX	moisture barrier seat and back <input type="checkbox"/>	+\$300
Step 11. MicrobeCare Selection		
MCN	no MicrobeCare protection <input type="checkbox"/>	+\$0
MCY	MicrobeCare protection <input type="checkbox"/>	+\$75
Step 12.		
Fabric		
<i>For one fabric (1F)</i>		
Price Category (Nemschoff) Series 3	<input type="checkbox"/>	+\$0
Price Category (Nemschoff) Series 4	<input type="checkbox"/>	+\$160
Price Category (Nemschoff) Series 5	<input type="checkbox"/>	+\$326
Price Category (Nemschoff) Series 6	<input type="checkbox"/>	+\$525
Price Category (Nemschoff) Series 7	<input type="checkbox"/>	+\$725
Price Category (Nemschoff) Series 8	<input type="checkbox"/>	+\$976
Seat Fabric		
<i>For multiple fabrics (MF)</i>		
Price Category (Nemschoff) Series 3	<input type="checkbox"/>	+\$0
Price Category (Nemschoff) Series 4	<input type="checkbox"/>	+\$120
Price Category (Nemschoff) Series 5	<input type="checkbox"/>	+\$231
Price Category (Nemschoff) Series 6	<input type="checkbox"/>	+\$361
Price Category (Nemschoff) Series 7	<input type="checkbox"/>	+\$496
Price Category (Nemschoff) Series 8	<input type="checkbox"/>	+\$657
Step 13. Back Fabric		
<i>For multiple fabrics (MF)</i>		
Price Category (Nemschoff) Series 3	<input type="checkbox"/>	+\$0
Price Category (Nemschoff) Series 4	<input type="checkbox"/>	+\$107
Price Category (Nemschoff) Series 5	<input type="checkbox"/>	+\$206
Price Category (Nemschoff) Series 6	<input type="checkbox"/>	+\$323
Price Category (Nemschoff) Series 7	<input type="checkbox"/>	+\$444
Price Category (Nemschoff) Series 8	<input type="checkbox"/>	+\$593
Step 14. Arm Fabric		
<i>For closed arm (C) with multiple fabrics (MF)</i>		
Price Category (Nemschoff) Series 3	<input type="checkbox"/>	+\$0
Price Category (Nemschoff) Series 4	<input type="checkbox"/>	+\$44
Price Category (Nemschoff) Series 5	<input type="checkbox"/>	+\$90
Price Category (Nemschoff) Series 6	<input type="checkbox"/>	+\$144
Price Category (Nemschoff) Series 7	<input type="checkbox"/>	+\$199
Price Category (Nemschoff) Series 8	<input type="checkbox"/>	+\$268

Nemschoff Easton Spanner Table 897-I



Product Information

Description

Features:

- Replaceable components
- 1/2" HPL surface
- Non-marring glides
- Indoor Advantage™ Gold Certified

Notes

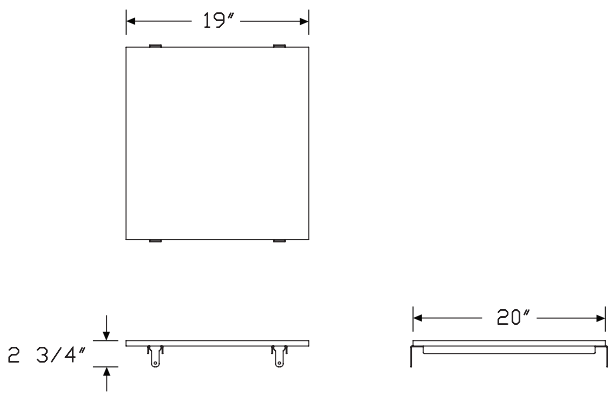
Integrated power unit (NP503) available on this product.

Width—20"

Depth—19"

Weight—15 lbs

Dimensions



Specification Information

Step 1.

897 A

Step 2. Size

-IT 20" wide A +\$800

Step 3. Top Material

K solid surface top A +\$400

L laminate top A +\$0

Step 4. Top Finish

For laminate top (L)

76	light brown walnut	+\$0
8Q	folkstone grey	+\$0
91	white	+\$0
98	studio white	+\$0
CL	cool grey neutral	+\$0
HF	inner tone light	+\$0
HM	natural maple	+\$0
HP	light anigre	+\$0
HX	aged cherry	+\$0
LBA	clear on ash	+\$0
LBB	oak on ash	+\$0
LBC	walnut on ash	+\$0
LBF	neutral twill	+\$0
LBJ	graphite twill	+\$0
LBQ	white twill	+\$0
LBR	phantom ecru A	+\$0
LBS	phantom cocoa A	+\$0
LBU	medium matte walnut A	+\$0
LBV	warm grey teak A	+\$0
LT	light tone	+\$0
LU	soft white	+\$0
OG	honey maple A	+\$0
WL	sandstone	+\$0
WN	warm grey neutral	+\$0

For solid surface top (K)

58	cameo white A	+\$0
ANC	antarctica A	+\$0
CQ	glacier white A	+\$0
QB	bisque A	+\$0
SVG	silver gray A	+\$0

Nemschoff Easton Spanner Table

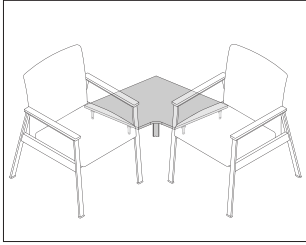
continued

Nemschoff® Easton Tables

Step 5. Edge Finish		
<i>For laminate top (L)</i>		
76	light brown walnut <input type="checkbox"/> A	+\$0
8Q	folkstone grey <input type="checkbox"/> A	+\$0
91	white <input type="checkbox"/> A	+\$0
98	studio white <input type="checkbox"/> A	+\$0
BU	black umber <input type="checkbox"/> A	+\$0
CL	cool grey neutral <input type="checkbox"/> A	+\$0
HF	inner tone light <input type="checkbox"/> A	+\$0
HM	natural maple <input type="checkbox"/> A	+\$0
HP	light anigre <input type="checkbox"/> A	+\$0
HT	inner tone (discontinuing) <input type="checkbox"/> A	+\$0
HX	aged cherry <input type="checkbox"/> A	+\$0
LBA	clear on ash <input type="checkbox"/> A	+\$0
LBB	oak on ash <input type="checkbox"/> A	+\$0
LBC	walnut on ash <input type="checkbox"/> A	+\$0
LBF	neutral twill <input type="checkbox"/> A	+\$0
LBJ	graphite twill <input type="checkbox"/> A	+\$0
LBQ	white twill <input type="checkbox"/> A	+\$0
LBR	phantom ecru <input type="checkbox"/> A	+\$0
LBS	phantom cocoa <input type="checkbox"/> A	+\$0
LBU	medium matte walnut <input type="checkbox"/> A	+\$0
LBV	warm grey teak <input type="checkbox"/> A	+\$0
LU	soft white <input type="checkbox"/> A	+\$0
MT	medium tone <input type="checkbox"/> A	+\$0
WL	sandstone <input type="checkbox"/> A	+\$0
WN	warm grey neutral <input type="checkbox"/> A	+\$0
Step 6. MicrobeCare Selection		
MCN	no Microbecare protection <input type="checkbox"/> A	+\$0

Nemschoff Easton Spanner Corner Table

897-S



Product Information

Description

Features:

- Powder-coated metal legs
- Replaceable components
- 1/2" HPL surface
- Non-marring glides
- Indoor Advantage™ Gold Certified

Notes

Integrated power unit (NP503) available on this product.

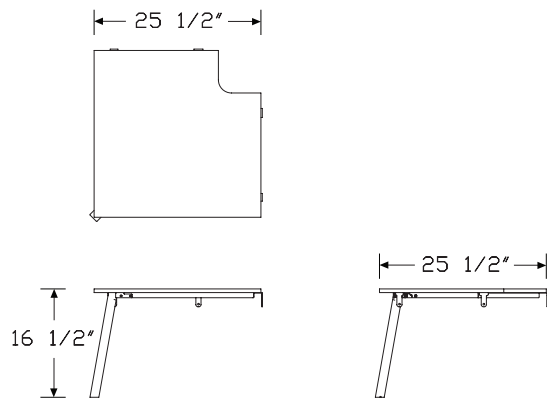
Depth—25 1/2"

Width—25 1/2"

Height—16 1/2"

Weight—8

Dimensions



Specification Information

Step 1.

897 A

Step 2. Size

-SQCT 25.5" wide A +\$1023

Step 3. Top Material

L laminate top A +\$0

K solid surface top A +\$650

Step 4. Top Finish

For laminate top (L)

76	light brown walnut	+\$0
8Q	folkstone grey	+\$0
91	white	+\$0
98	studio white	+\$0
CL	cool grey neutral	+\$0
HF	inner tone light	+\$0
HM	natural maple	+\$0
HP	light anigre	+\$0
HX	aged cherry	+\$0
LBA	clear on ash	+\$0
LBB	oak on ash	+\$0
LBC	walnut on ash	+\$0
LBF	neutral twill	+\$0
LBJ	graphite twill	+\$0
LBQ	white twill	+\$0
LBR	phantom ecru A	+\$0
LBS	phantom cocoa A	+\$0
LBU	medium matte walnut A	+\$0
LBV	warm grey teak A	+\$0
LT	light tone	+\$0
LU	soft white	+\$0
OG	honey maple A	+\$0
WL	sandstone	+\$0
WN	warm grey neutral	+\$0

For solid surface top (K)

58	cameo white A	+\$0
ANC	antarctica A	+\$0
CQ	glacier white A	+\$0
QB	bisque A	+\$0
SVG	silver gray A	+\$0

Nemschoff Easton Spanner Corner Table *continued*

Nemschoff® Easton Tables

Step 5. Edge Finish

For laminate top (L)

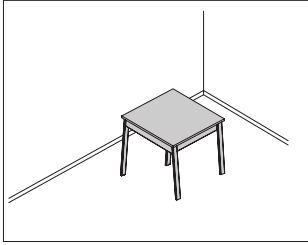
76	light brown walnut <input type="checkbox"/>	+\$0
8Q	folkstone grey <input type="checkbox"/>	+\$0
91	white <input type="checkbox"/>	+\$0
98	studio white <input type="checkbox"/>	+\$0
BU	black umber <input type="checkbox"/>	+\$0
CL	cool grey neutral <input type="checkbox"/>	+\$0
HF	inner tone light <input type="checkbox"/>	+\$0
HM	natural maple <input type="checkbox"/>	+\$0
HP	light anigre <input type="checkbox"/>	+\$0
HT	inner tone (discontinuing) <input type="checkbox"/>	+\$0
HX	aged cherry <input type="checkbox"/>	+\$0
LBA	clear on ash <input type="checkbox"/>	+\$0
LBB	oak on ash <input type="checkbox"/>	+\$0
LBC	walnut on ash <input type="checkbox"/>	+\$0
LBF	neutral twill <input type="checkbox"/>	+\$0
LBJ	graphite twill <input type="checkbox"/>	+\$0
LBQ	white twill <input type="checkbox"/>	+\$0
LBR	phantom ecru <input type="checkbox"/>	+\$0
LBS	phantom cocoa <input type="checkbox"/>	+\$0
LBU	medium matte walnut <input type="checkbox"/>	+\$0
LBV	warm grey teak <input type="checkbox"/>	+\$0
LU	soft white <input type="checkbox"/>	+\$0
MT	medium tone <input type="checkbox"/>	+\$0
WL	sandstone <input type="checkbox"/>	+\$0
WN	warm grey neutral <input type="checkbox"/>	+\$0

Step 6. Powdercoat Base Finish

BK	black <input type="checkbox"/>	+\$0
MSS	metallic silver smooth <input type="checkbox"/>	+\$0
MST	metallic silver textured <input type="checkbox"/>	+\$0
XTS	titanium smooth <input type="checkbox"/>	+\$0
XTT	titanium textured <input type="checkbox"/>	+\$0
G1	graphite textured <input type="checkbox"/>	+\$0

Step 7. MicrobeCare Selection

MCN	no Microbecare protection <input type="checkbox"/>	+\$0
------------	--	------



Product Information

Description

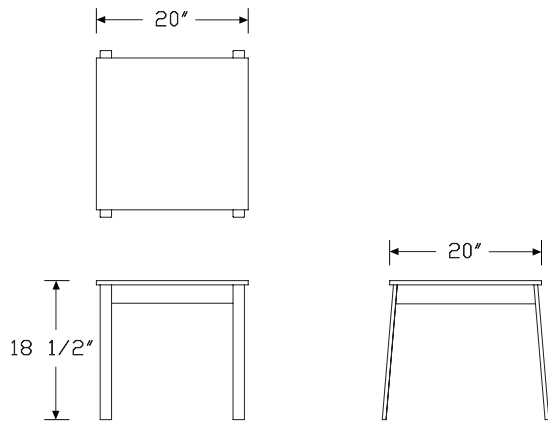
Features:

- Powder-coated metal legs
- Replaceable components
- 1/2" HPL surface
- Non-marring glides
- Indoor Advantage™ Gold Certified

Notes

Height—18 1/2"
 Width—20"
 Depth—20"
 Weight—13

Dimensions



Specification Information

Step 1.

897 A

Step 2. Size

-T5 18.5" high and 20" wide A +\$1110

Step 3. Top Material

L laminate top A +\$0
 K solid surface top A +\$425

Step 4. Top Finish

For laminate top (L)

76	light brown walnut	+\$0
8Q	folkstone grey	+\$0
91	white	+\$0
98	studio white	+\$0
CL	cool grey neutral	+\$0
HF	inner tone light	+\$0
HM	natural maple	+\$0
HP	light anigre	+\$0
HX	aged cherry	+\$0
LBA	clear on ash	+\$0
LBB	oak on ash	+\$0
LBC	walnut on ash	+\$0
LBF	neutral twill	+\$0
LBJ	graphite twill	+\$0
LBQ	white twill	+\$0
LBR	phantom ecru A	+\$0
LBS	phantom cocoa A	+\$0
LBU	medium matte walnut A	+\$0
LBV	warm grey teak A	+\$0
LT	light tone	+\$0
LU	soft white	+\$0
OG	honey maple A	+\$0
WL	sandstone	+\$0
WN	warm grey neutral	+\$0

For solid surface top (K)

58	cameo white A	+\$0
ANC	antarctica A	+\$0
CQ	glacier white A	+\$0
QB	bisque A	+\$0
SVG	silver gray A	+\$0

Nemschoff Easton Side Table

continued

Nemschoff® Easton Tables

Step 5. Edge Finish

For laminate top (L)

76	light brown walnut <input type="checkbox"/>	+\$0
8Q	folkstone grey <input type="checkbox"/>	+\$0
91	white <input type="checkbox"/>	+\$0
98	studio white <input type="checkbox"/>	+\$0
BU	black umber <input type="checkbox"/>	+\$0
CL	cool grey neutral <input type="checkbox"/>	+\$0
HF	inner tone light <input type="checkbox"/>	+\$0
HM	natural maple <input type="checkbox"/>	+\$0
HP	light anigre <input type="checkbox"/>	+\$0
HT	inner tone (discontinuing) <input type="checkbox"/>	+\$0
HX	aged cherry <input type="checkbox"/>	+\$0
LBA	clear on ash <input type="checkbox"/>	+\$0
LBB	oak on ash <input type="checkbox"/>	+\$0
LBC	walnut on ash <input type="checkbox"/>	+\$0
LBF	neutral twill <input type="checkbox"/>	+\$0
LBJ	graphite twill <input type="checkbox"/>	+\$0
LBQ	white twill <input type="checkbox"/>	+\$0
LBR	phantom ecru <input type="checkbox"/>	+\$0
LBS	phantom cocoa <input type="checkbox"/>	+\$0
LBU	medium matte walnut <input type="checkbox"/>	+\$0
LBV	warm grey teak <input type="checkbox"/>	+\$0
LU	soft white <input type="checkbox"/>	+\$0
MT	medium tone <input type="checkbox"/>	+\$0
WL	sandstone <input type="checkbox"/>	+\$0
WN	warm grey neutral <input type="checkbox"/>	+\$0

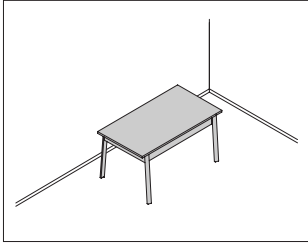
Step 6. Powdercoat Base Finish

BK	black <input type="checkbox"/>	+\$0
MSS	metallic silver smooth <input type="checkbox"/>	+\$0
MST	metallic silver textured <input type="checkbox"/>	+\$0
XTS	titanium smooth <input type="checkbox"/>	+\$0
XTT	titanium textured <input type="checkbox"/>	+\$0
G1	graphite textured <input type="checkbox"/>	+\$0

Step 7. MicrobeCare Selection

MCN	no Microbecare protection <input type="checkbox"/>	+\$0
------------	--	------

Nemschoff Easton Coffee Table 897-T



Product Information

Description

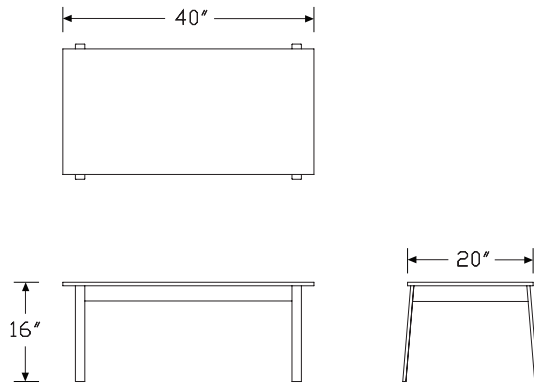
Features:

- Powder-coated metal legs
- Replaceable components
- 1/2" HPL surface
- Non-marring glides
- Indoor Advantage™ Gold Certified

Notes

Height—16"
 Width—40"
 Depth—20"
 Weight—26 lbs

Dimensions



Specification Information

Step 1.

897 [A]

Step 2. Size

-T9 16" high and 40" wide [A] +\$1314

Step 3. Top Material

L laminate top [A] +\$0
 K solid surface top [A] +\$775

Step 4. Top Finish

For laminate top (L)

76	light brown walnut	+\$0
8Q	folkstone grey	+\$0
91	white	+\$0
98	studio white	+\$0
CL	cool grey neutral	+\$0
HF	inner tone light	+\$0
HM	natural maple	+\$0
HP	light anigre	+\$0
HX	aged cherry	+\$0
LBA	clear on ash	+\$0
LBB	oak on ash	+\$0
LBC	walnut on ash	+\$0
LBF	neutral twill	+\$0
LBJ	graphite twill	+\$0
LBQ	white twill	+\$0
LBR	phantom ecru [A]	+\$0
LBS	phantom cocoa [A]	+\$0
LBU	medium matte walnut [A]	+\$0
LBV	warm grey teak [A]	+\$0
LT	light tone	+\$0
LU	soft white	+\$0
OG	honey maple [A]	+\$0
WL	sandstone	+\$0
WN	warm grey neutral	+\$0

For solid surface top (K)

58	cameo white [A]	+\$0
ANC	antarctica [A]	+\$0
CQ	glacier white [A]	+\$0
QB	bisque [A]	+\$0
SVG	silver gray [A]	+\$0

Nemschoff® Easton Tables

Nemschoff Easton Coffee Table

continued

Nemschoff® Easton Tables

Step 5. Edge Finish

For laminate top (L)

76	light brown walnut <input type="checkbox"/>	+\$0
8Q	folkstone grey <input type="checkbox"/>	+\$0
91	white <input type="checkbox"/>	+\$0
98	studio white <input type="checkbox"/>	+\$0
BU	black umber <input type="checkbox"/>	+\$0
CL	cool grey neutral <input type="checkbox"/>	+\$0
HF	inner tone light <input type="checkbox"/>	+\$0
HM	natural maple <input type="checkbox"/>	+\$0
HP	light anigre <input type="checkbox"/>	+\$0
HT	inner tone (discontinuing) <input type="checkbox"/>	+\$0
HX	aged cherry <input type="checkbox"/>	+\$0
LBA	clear on ash <input type="checkbox"/>	+\$0
LBB	oak on ash <input type="checkbox"/>	+\$0
LBC	walnut on ash <input type="checkbox"/>	+\$0
LBF	neutral twill <input type="checkbox"/>	+\$0
LBJ	graphite twill <input type="checkbox"/>	+\$0
LBQ	white twill <input type="checkbox"/>	+\$0
LBR	phantom ecru <input type="checkbox"/>	+\$0
LBS	phantom cocoa <input type="checkbox"/>	+\$0
LBU	medium matte walnut <input type="checkbox"/>	+\$0
LBV	warm grey teak <input type="checkbox"/>	+\$0
LU	soft white <input type="checkbox"/>	+\$0
MT	medium tone <input type="checkbox"/>	+\$0
WL	sandstone <input type="checkbox"/>	+\$0
WN	warm grey neutral <input type="checkbox"/>	+\$0

Step 6. Powdercoat Base Finish

BK	black <input type="checkbox"/>	+\$0
MSS	metallic silver smooth <input type="checkbox"/>	+\$0
MST	metallic silver textured <input type="checkbox"/>	+\$0
XTS	titanium smooth <input type="checkbox"/>	+\$0
XTT	titanium textured <input type="checkbox"/>	+\$0
G1	graphite textured <input type="checkbox"/>	+\$0

Step 7. MicrobeCare Selection

MCN	no Microbecare protection <input type="checkbox"/>	+\$0
------------	--	------

Index by Product Name

Nemschoff® Easton Family	
Nemschoff Easton Coffee Table	page(s) 23
Nemschoff Easton Easy Access Chair	5
Nemschoff Easton Patient Chair	7
Nemschoff Easton Plus Chair	9
Nemschoff Easton Side Chair	11
Nemschoff Easton Side Table	21
Nemschoff Easton Spanner Corner Table	19
Nemschoff Easton Spanner Table	17
Nemschoff Easton Three Seat	13
Nemschoff Easton Two Seat	15



Index by Product Number

897-1	Nemschoff Easton Easy Access Chair	page(s) 5
897-1	Nemschoff Easton Side Chair	11
897-2	Nemschoff Easton Two Seat	15
897-3	Nemschoff Easton Three Seat	13
897-5	Nemschoff Easton Patient Chair	7
897-l	Nemschoff Easton Spanner Table	17
897-0	Nemschoff Easton Plus Chair	9
897-S	Nemschoff Easton Spanner Corner Table	19
897-T	Nemschoff Easton Coffee Table	23
897-T	Nemschoff Easton Side Table	21





20-Day or Less/Assigned Lead-Time Order Information

GSA

20-Day or Less and Assigned Lead-Time Programs

20-day or less and assigned lead-time products are designed for established Herman Miller dealers with pre-approved credit.

Products are distributed from multiple manufacturing facilities across the United States. All products and options not designated by an Assigned Lead-Time icon  will ship in 20 business days or less after being acknowledged by Herman Miller. Products and options designated by an  are on the assigned lead-time program and will ship in 20 days, less than 20 days, or more than 20 days from order acknowledgement.

Ordering Procedure

Please place orders through Order Manager. If this is not available to you, place orders through mail or fax. Verbal purchase orders will not be accepted.

Order Entry fax number for Meridian® Filing and Storage:

(616) 846 9236.

Order Entry fax number for all other products:

(616) 654 3085.

For more information, contact your Customer Care representative at:

(866) 854 3048 ext 3400.

Shipments and Delivery

Per Herman Miller Terms and Conditions.

Changes and Cancellation

Per Herman Miller Terms and Conditions.

For more information about our products and services or to see a list of dealers, please visit us at HermanMiller.com or call (800) 851 1196.

© 2024 Herman Miller, Inc., Zeeland, Michigan


Distribution Rights

Working together since 1956, Herman Miller and Vitra are the authentic sources of designs by Charles and Ray Eames, Alexander Girard, and George Nelson. All the designs shown in this book are protected by law. Herman Miller has obtained all rights to make and sell these designs. Also, Herman Miller holds exclusive worldwide manufacturing and distribution rights for these products with the following exceptions:

Charles and Ray Eames, George Nelson, and Alexander Girard—Worldwide distribution rights for furniture in all areas except Europe and the Middle East. For those areas, please contact Vitra.

Isamu Noguchi—Worldwide distribution rights for the Noguchi Rudder Table. Distribution rights for the Noguchi Table in North America and Central America only. For all other areas, please contact Vitra.

Magis—Exclusive distribution rights in the US and Canada. For all other areas, please contact Magis.

© **HermanMiller**, , Action Office, Aeron, Aside, Canvas Office Landscape, Caper, Cosm, Co/Struc, Eames, Embody, Ethospace, Exclave, Fine-Tune, FlexFront, Formcoat, Ground Cloth, Intent, Layout Studio, Lino, Maharam, Meridian, Mirra, Motia, Nelson, Pellicle, Perspectives, Plex, PostureFit, PostureFit SL, Sayl, Setu, Tu, Verus, Y-Tower and Zeph are among the registered trademarks of Herman Miller, Inc., and its owned subsidiaries.

™ AireWeave, Bubbletack, Canvas Vista, Cellular Suspension, Commend, Compass, Connect, DOT, Durawrap, Everywhere, Flex-Edge, Headway, Hopsak 2, Iota, Keyless Entry, Latitude, Lyris 2, Mora, Multiscrim, Nevi, OE1, OE1 Workspace Collection, Overlay, Renew, Stackable, Swoop, Thrive, TriFlex, Twist and Valor are among the trademarks of Herman Miller, Inc., and its owned subsidiaries.

Chemsurf® is a registered trademark of Wilsonart International.

Corian® is a registered trademark of E.I. du Pont de Nemours and Company Corporation.

FLEXNET™ is a trademark of Milliken & Company.

Floor Saver Glide® is a registered trademark of Carpin Manufacturing, Inc.

Forest Stewardship Council® is a registered trademark of the Forest Stewardship Council A.C. (FSC). We are FSC® certified (FSC® C102895).

FSC® is a registered trademark of the Forest Stewardship Council A.C. (FSC).

MicrobeCare™ is a trademark of Parasol Medical LLC.

Microsoft® and Natural® Keyboard are registered trademarks of Microsoft Corporation.

Place Textiles® is a registered trademark of Place Textiles.