



Eames® Wire Chairs and Stools

Inspired by wire trays, dress forms, and baskets, the Eames Wire Chair is a unique iteration in the shell chair's continuous evolution. Originally produced from 1951 to 1967 and reintroduced in 2001, Eames Wire Chairs and Stools are available with an optional one-piece seat pad or crisscross two-piece "bikini" pad.

Designers

Charles and Ray Eames

Benefits

- Unique iteration on the Shell Chair form introduced in 1951
- Add a seat pad or crisscross "bikini" pad to enhance the comfort
- Stylish guest seating ideal for private offices, collaborative spaces, cafés, and more

Warranty

5 years

[hermanmiller.com/
eames-wire-chairs](https://www.hermanmiller.com/eames-wire-chairs)



Eames® Wire Chairs and Stools

Images



[View image library](#)

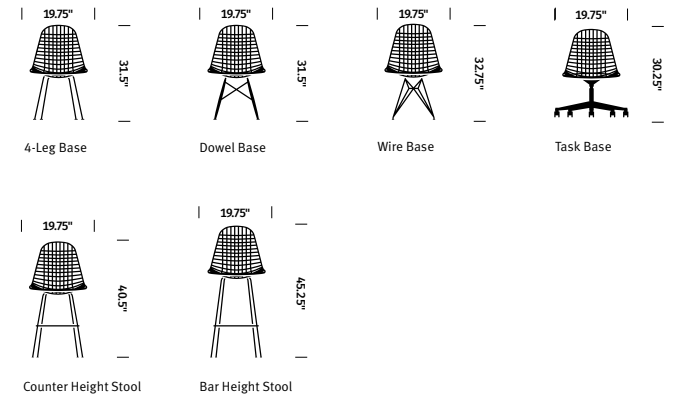
Key Features



1. Unique, highly graphic silhouette
2. Eames Wire Chairs offer a choice of 4-leg, dowel, or wire bases
3. Optional seat pad or crisscross “bikini” pad for indoor chairs and stools
4. Eames Wire Stools offer a choice of bar- or counter-heights

Statement of Line Overview

Side Chair Shell



These drawings represent a sample of the dimensions and configurations available. Download the [price book](#) for a full listing of all available product configurations.

Materials

[Click Here](#) to see our complete materials offering for Eames Wire Chairs and Stools.

Sustainability

[Click Here](#) to see how Eames Wire Chairs and Stools meet your environmental goals.

Design Files

[View Revit families](#)