



# Flo<sup>®</sup> X Triple Monitor Arm

The Flo X line is the latest in oversized monitor support from Colebrook Bosson Saunders. It comes in single-, dual-, and triple-monitor support versions. All offer ergonomic support through fingertip adjustability and tilt, and all offer landscape and portrait orientations, so you can be comfortable, properly supported and productive throughout the day.

## Benefits

- Positions even the heaviest of screens with ease through dynamic adjustment
- Accommodates a range of large screen sizes and weights
- Promotes optimal positioning and user posture through fingertip adjustment of screen tilt and orientation

## Warranty

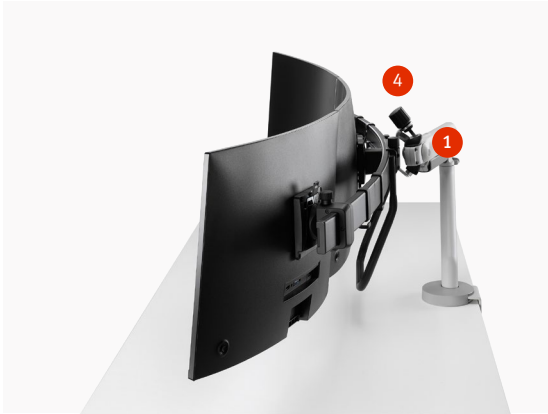
12-year; 3-shift

[hermanmiller.com/flo-x-triple](https://hermanmiller.com/flo-x-triple)

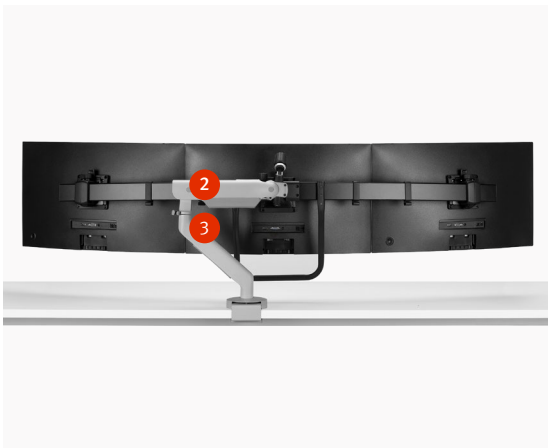


# Flo®X Triple Monitor Arm

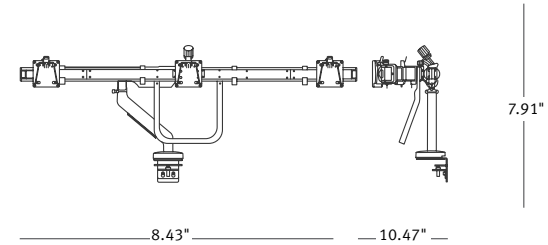
## Key Features



- 1. Next generation D-ring tilt mechanism**  
The mechanism, which delivers fingertip adjustability and easy-to-balance tilt, now accommodates larger screens and curved formats.
- 2. Dual-spring technology**  
Dual-spring technology supports heavy and lighter large monitors, accommodating lighter-weight monitors.
- 3. Built-in cable management**  
Trays on the upper and lower part of the arm secure cables, so they don't snag when you adjust the screens.
- 4. Hand-operated tilt mechanism**  
A single tilt mechanism allows you to adjust all screens at the same time.



## Statement of Line



## 3D Models

[View model library.](#)

## Details

Vertical Adjustment	20.8"
Focal Adjustment	31.1"
Tilt Range	20 degrees upward, 5 degrees downward
Monitor Weight	4.5 - 11 lbs per monitor
Number of Devices	3
Monitor Head	VESA-compliant
Monitor Width	Up to 27" per monitor
Option	Flo X Multi-Mount Handle accessory