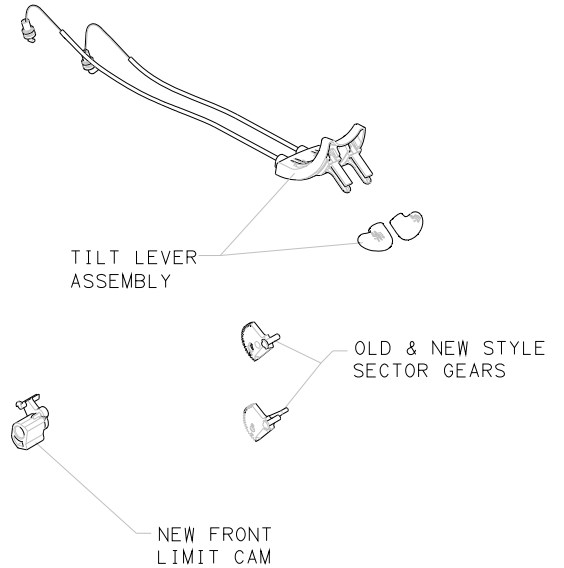


Aeron® Tilt Control Replacement



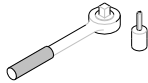
PARTS INCLUDED



TOOLS NEEDED



1" PUTTY KNIFE



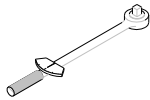
RATCHET WRENCH W/
6MM HEX HEAD BIT



PHILLIPS HEAD
SCREWDRIVER



PLIERS



TORQUE WRENCH



NEEDLENOSE
PLIERS

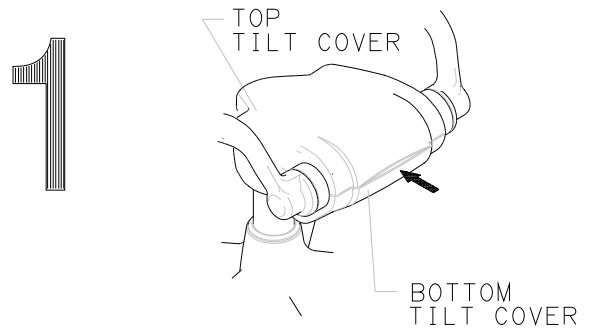
PROCEDURE

NOTICE

FOR CHAIRS WITH NO TILT OPTION, GO ON TO STEP 7.

NOTICE

TILT LIMITER MUST BE IN RELEASED POSITION TO SERVICE. (TILT LIMITER LEVER ALL THE WAY DOWN).

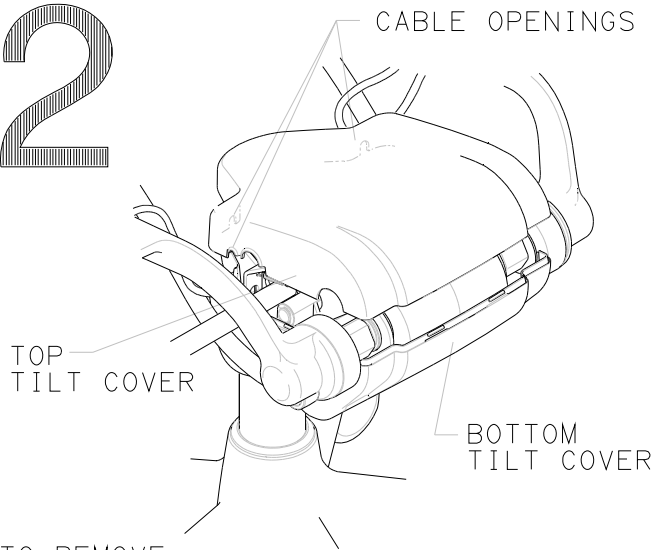


TO REMOVE :

1. Using thumb pressure, press front of bottom tilt cover to start separation of tilt covers.

167206 REV

2



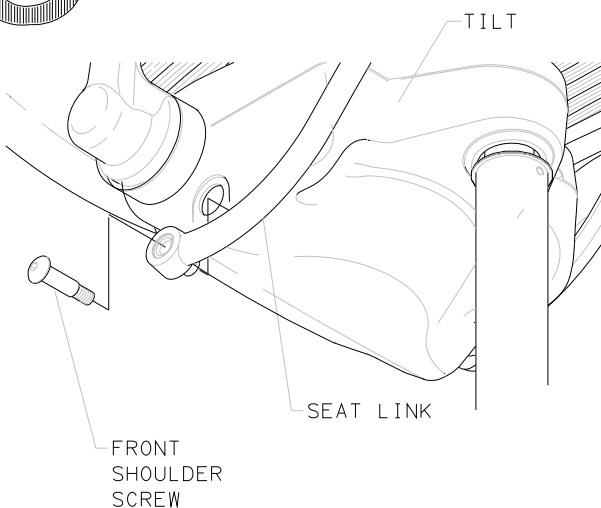
TO REMOVE :

1. Insert 1" putty knife between covers and twist to separate top from bottom cover. Remove top cover and set aside.

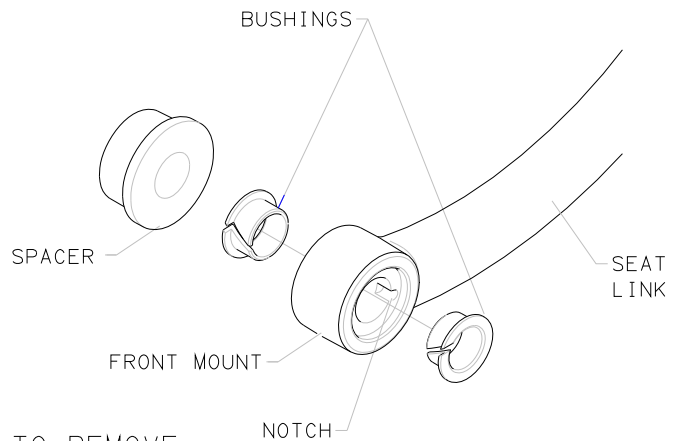
TO REINSTALL :

1. Reposition top tilt cover over bottom tilt cover, making sure all cables are properly routed through cable openings. Snap cover halves together.

3



(OLDER VERSION)



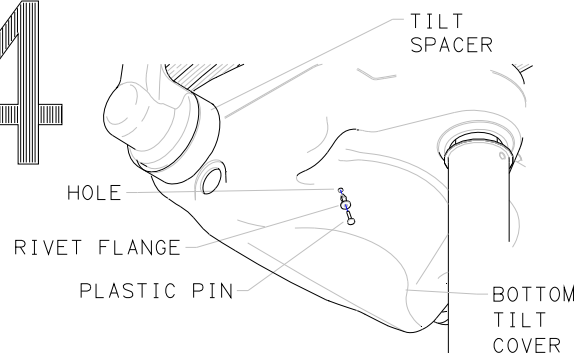
TO REMOVE :

1. While supporting seat link, use 6MM socket, ratchet wrench to remove shoulder screw attaching seat link to tilt. Set aside shoulder screw. Let seat link hang. Remove spacers and or bushings if applicable and set aside. Repeat for opposite side.

TO REINSTALL :

1. Attach front mount of seat link to tilt with shoulder screw. Tighten and torque to 120-150 in-lbs.

4



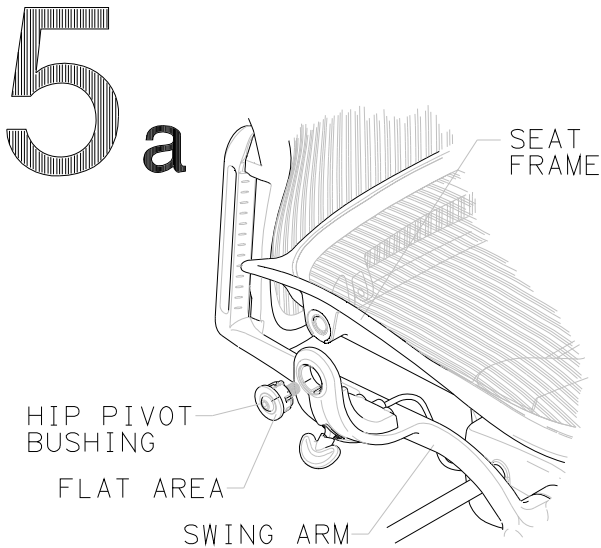
TO REMOVE :

1. Using needle nose pliers, remove plastic pin from rivot flange. Pull tilt cover from tilt.

TO REINSTALL :

1. Slide bottom tilt cover up to tilt. Make sure notches in tilt spacer grooves engage slots in tilt cover. If necessary, rotate tilt spacers to align notches with slots. Align hole in tilt cover to hole in tilt. Install rivet flange into tiltcover and tilt. Insert rivet pin into rivet flange.

(FOR CHAIRS MANUFACTURED AFTER JUNE 4,2003)



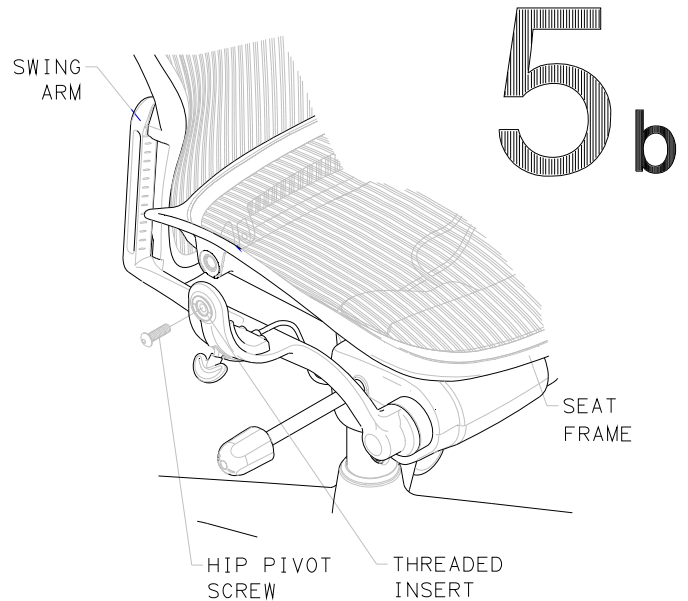
TO REMOVE :

1. Using ratchet and 6MM hex bit, remove hip pivot bushing assembly from swing arm. Loosening pivot fastener will force hip pivot bushing assembly from swing arm. After hip pivot fastener has disengaged from seat frame, remove hip pivot bushing and set aside. Repeat for other side. Remove seat frame with b-links and set aside.

TO REINSTALL :

1. Make certain flat area around fasteners head in hip pivot bushing is flat and aligned with bushing area. Repeat for other hip pivot bushing.
2. Lower seat in place. Align fastener in seat frame to mounting hole in swing arm and insert hip pivot bushing.
3. Insert other hip pivot fastener into swing arm aligning top and bottom guides into slots in swing arm opening.
4. Using 6MM head bit and ratchet wrench, partially thread hip pivot fastener into seat frame. Repeat for opposite side.
5. Secure fasteners of hip pivot bushing, drawing hip pivot bushing into seat frame. Torque fasteners to 180-200 lbs.

(FOR CHAIRS MANUFACTURED BEFORE JUNE 4,2003)



TO REMOVE :

1. Using ratchet and 6MM hex bit, remove hip pivot screw from each swing arm. If threaded insert turns with hip pivot screw, **STOP** immediately and do the following step: Tighten hip pivot screw into threaded insert as much as possible. Using a quick jerking motion with ratchet wrench. Back out hip pivot screw from threaded insert. If threaded insert turns with hip pivot screw, repeat process.

CAUTION

If threaded inserts turn while removing hip pivot screws from seat frame, **STOP IMMEDIATELY** and follow instructions.

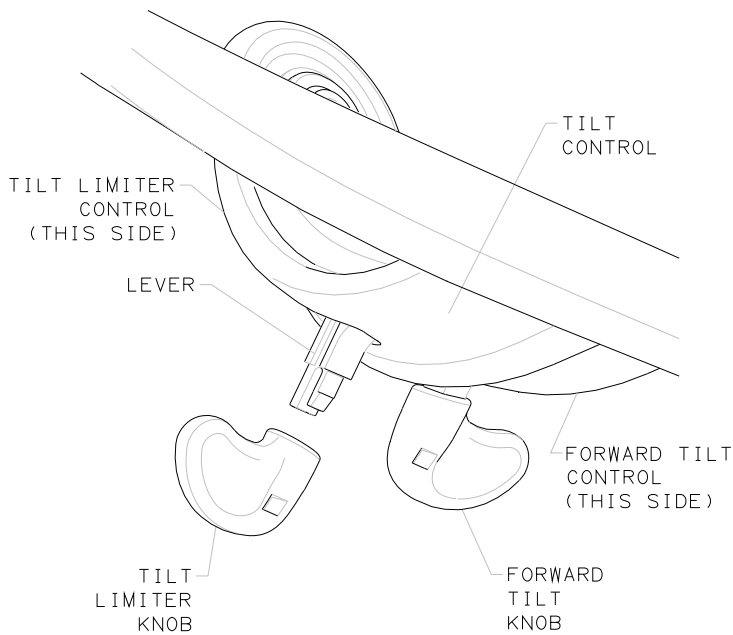
TO REINSTALL :

1. Place seat frame between swing arms. Attach seat frame to swing arms with hip pivot screws. Tighten and torque to 180-200 in lbs.

167206 REV H

6 a

FOR CHAIRS MANUFACTURED
BEFORE 8-23-2004



TO REMOVE :

1. Using pliers, twist knob(s) to separate knob from lever. Properly dispose of knob/s.

6 b

FOR CHAIRS MANUFACTURED
AFTER 8-23-2004

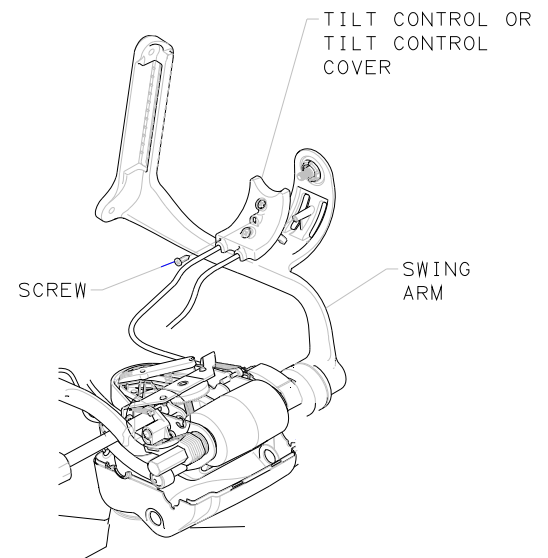
TO REMOVE :

1. Using hands, pull knob/s from control lever/s. Properly dispose of knobs.

TO REINSTALL :

1. Push on appropriate knob/s until they click into place.

7



TO REMOVE :

1. Using #2 phillips head screwdriver, remove and set aside fastener securing tilt control to swing arm.

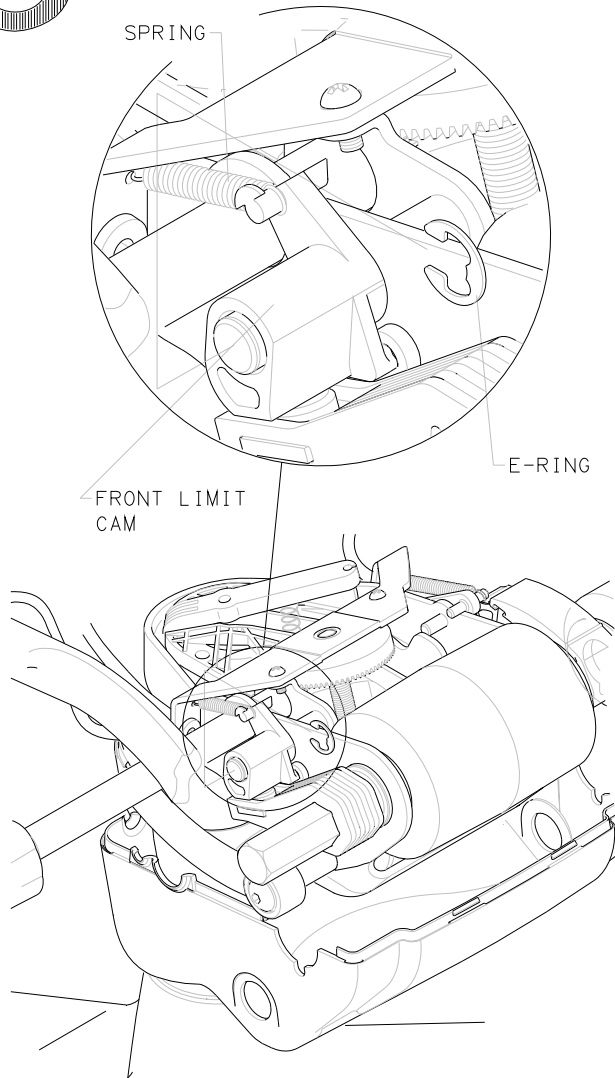
Note: When removing tilt cover only (no tilt option), seat frame does not need to be removed.

TO REINSTALL :

1. Place appropriate tilt control on swing arm and secure with screw using #2 phillips head screwdriver.

8

If Equipped



(FIGURE SHOWN WITH SEAT FRAME REMOVED FROM PRE 3-9-04 CHAIR)

TO REMOVE :

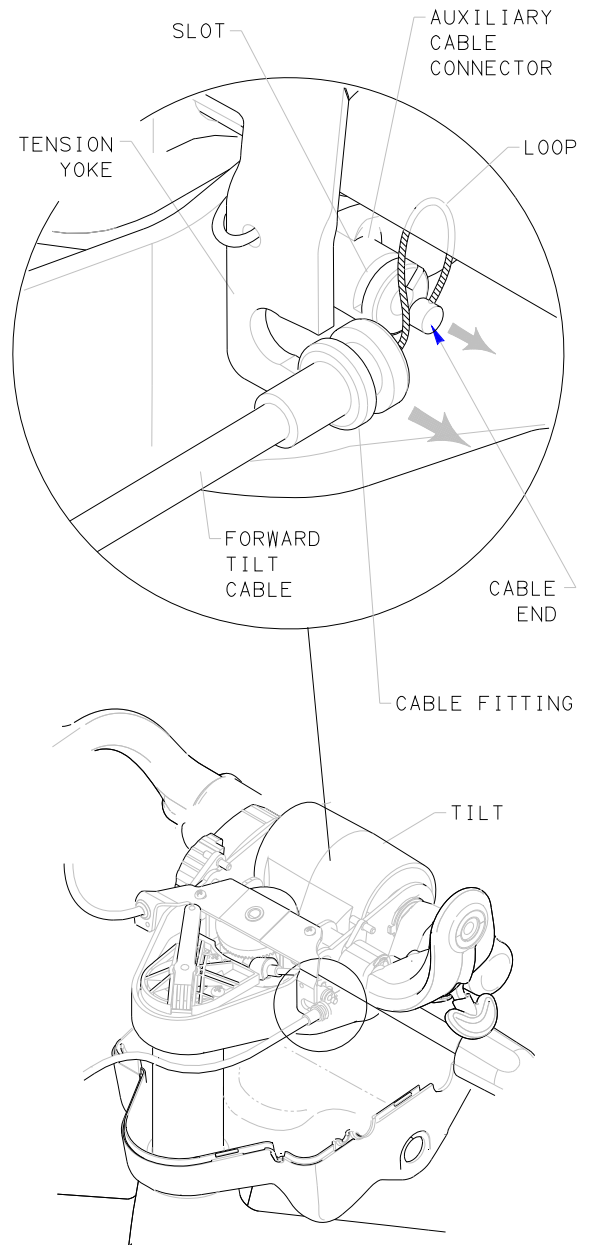
1. If equipped, with forward tilt lever, proceed with steps 8-10, otherwise, go on to step 11. Using needle nose pliers, disengage spring from front limit cam. Using small straight head screwdriver, remove, E-ring holdign front limit cam in place.

TO REINSTALL :

1. Secure front limit cam with E-ring. Attach spring to front limit cam.

9a

(FOR CHAIRS MADE BEFORE 3-9-04)



(FIGURE SHOWN WITH SEAT FRAME REMOVED)

167206 REV H

TO REMOVE :

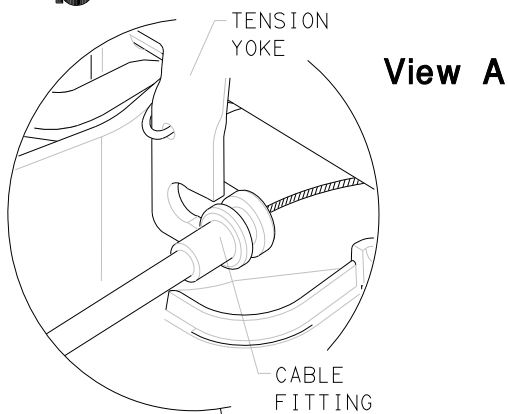
1. Use thumb pressure to remove forward tilt cable fitting (RH side) from tension yoke on tilt. Move cable forward to create loop and disengage cable end from auxiliary cable connector.

TO REINSTALL :

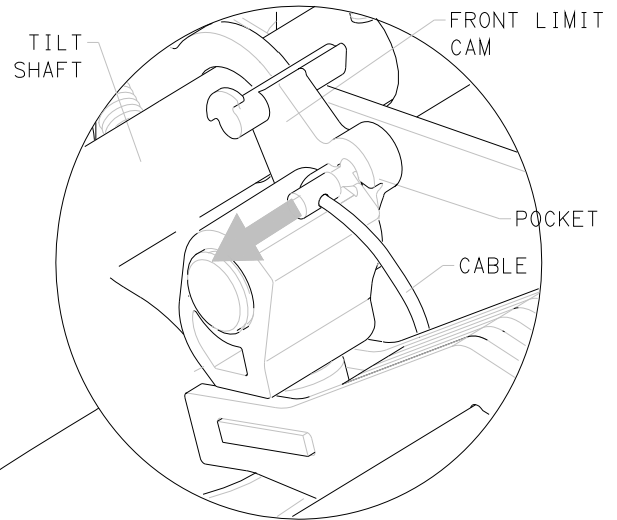
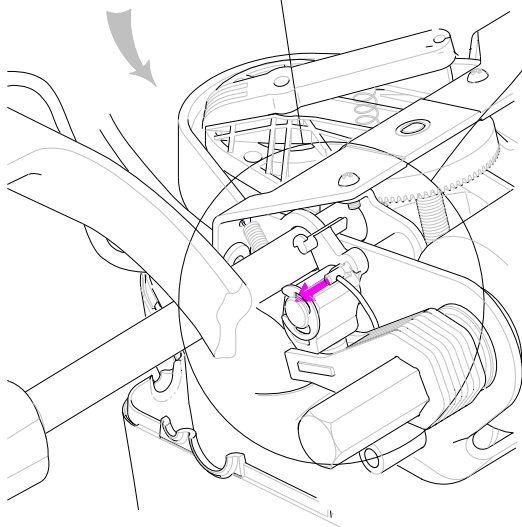
1. See instructions, "9b", to reinstall "chairs made after 3-09-04.

9
b

(FOR CHAIRS MADE AFTER 3-9-04)



View A

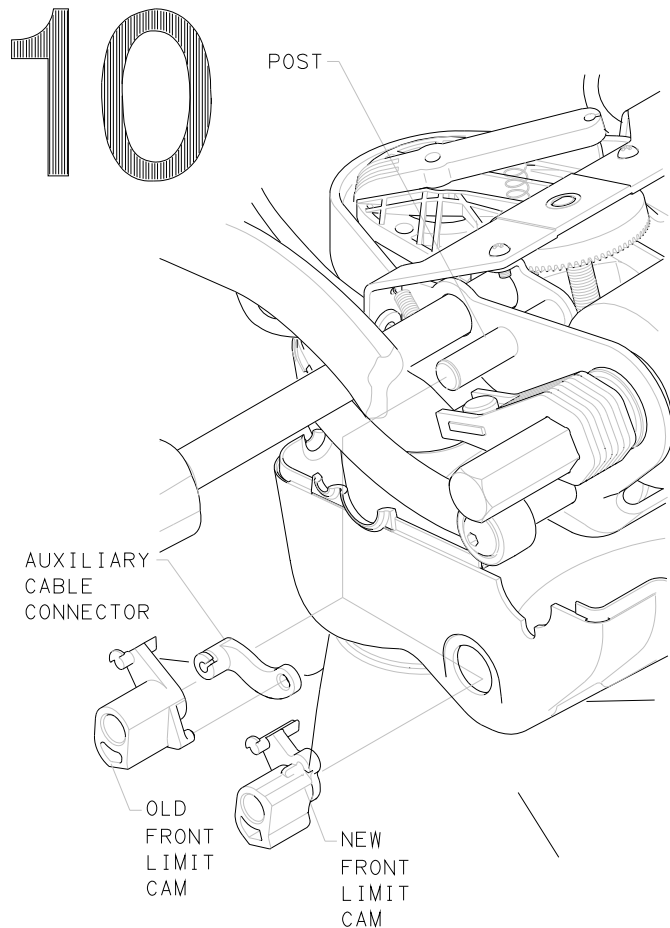


TO REMOVE :

1. Use thumb pressure to remove forward tilt cable fitting (RH side) from tension yoke on tilt. Move cable forward to provide slack. Use needle nose pliers, slide cable from pocket in front limit cam.

TO REINSTALL :

1. Feed cable end under tilt shaft along side tilt housing along right side of front limit cam. Insert cable end into pocket on top of front limit cam. Wrap cable around rear of front limit cam, clockwise.
2. Using thumb pressure install replacement cable fitting into tension yoke on tilt.



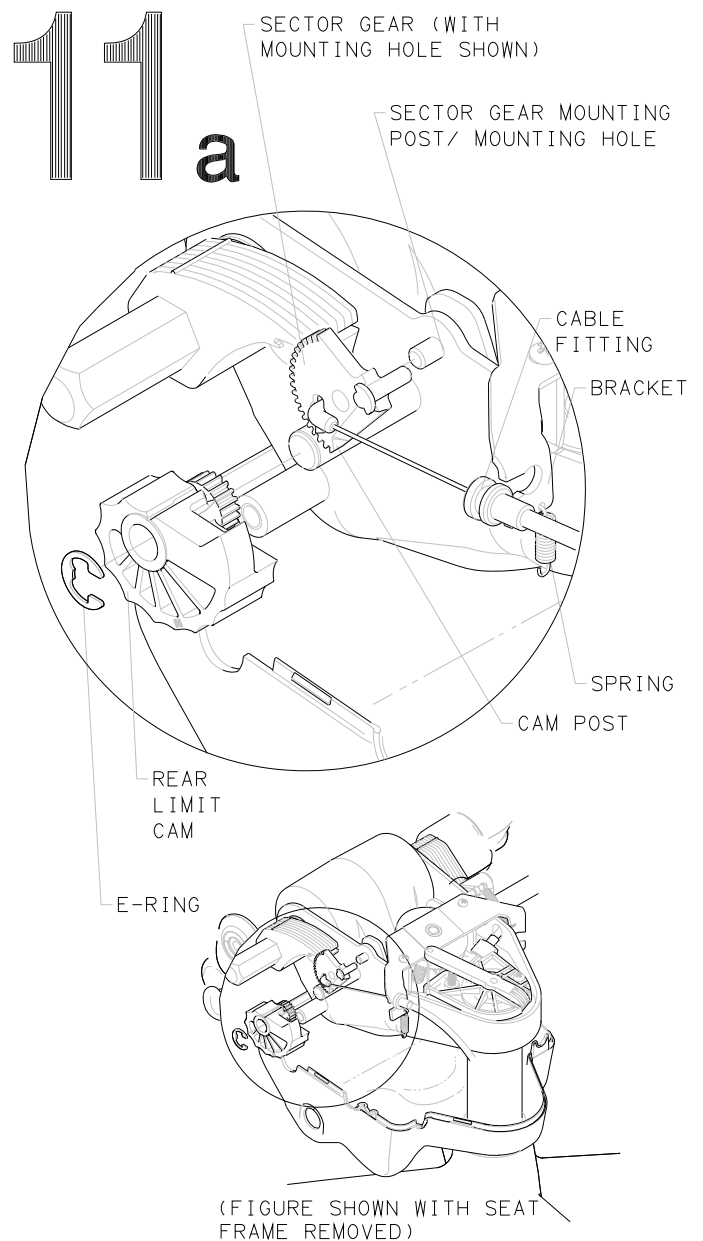
⚠ WARNING
Tilt tension must be maintained during following procedure. Failure to do so may cause personal injury.

TO REMOVE :

1. Apply downward pressure to top of chair back to relieve pressure from front limit cam. This position must be maintained until front limit cam is installed with E-ring.
2. Remove front limit cam and auxiliary cable connector if applicable, and dispose of properly.

TO REINSTALL :

1. Slide front limit cam in position shown.
2. Refer back to steps 8 and 9b, for installing cable, securing cable fitting and installing E-clip.

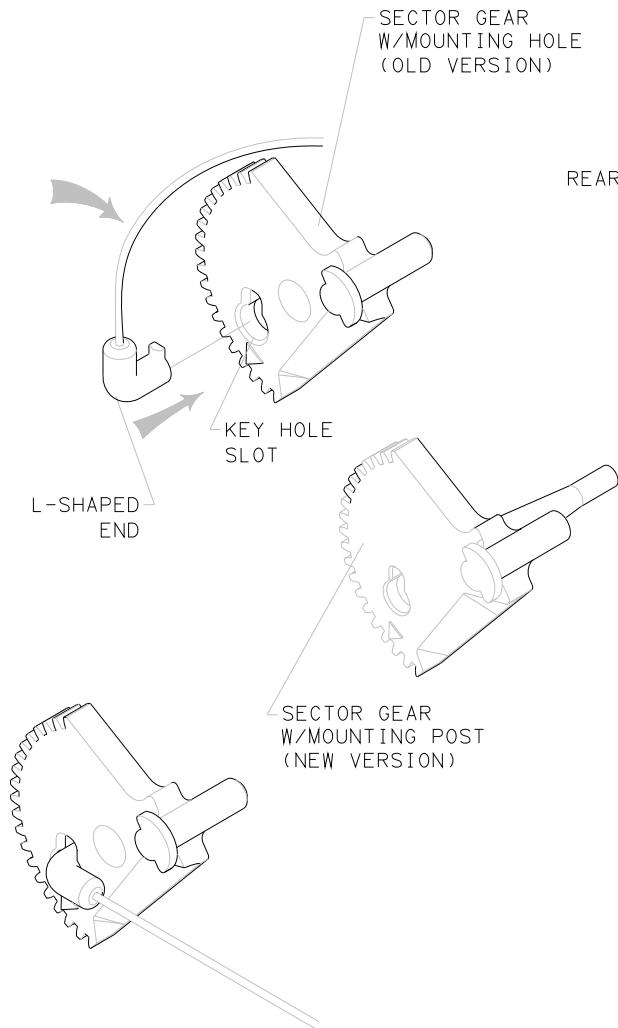


TO REMOVE :

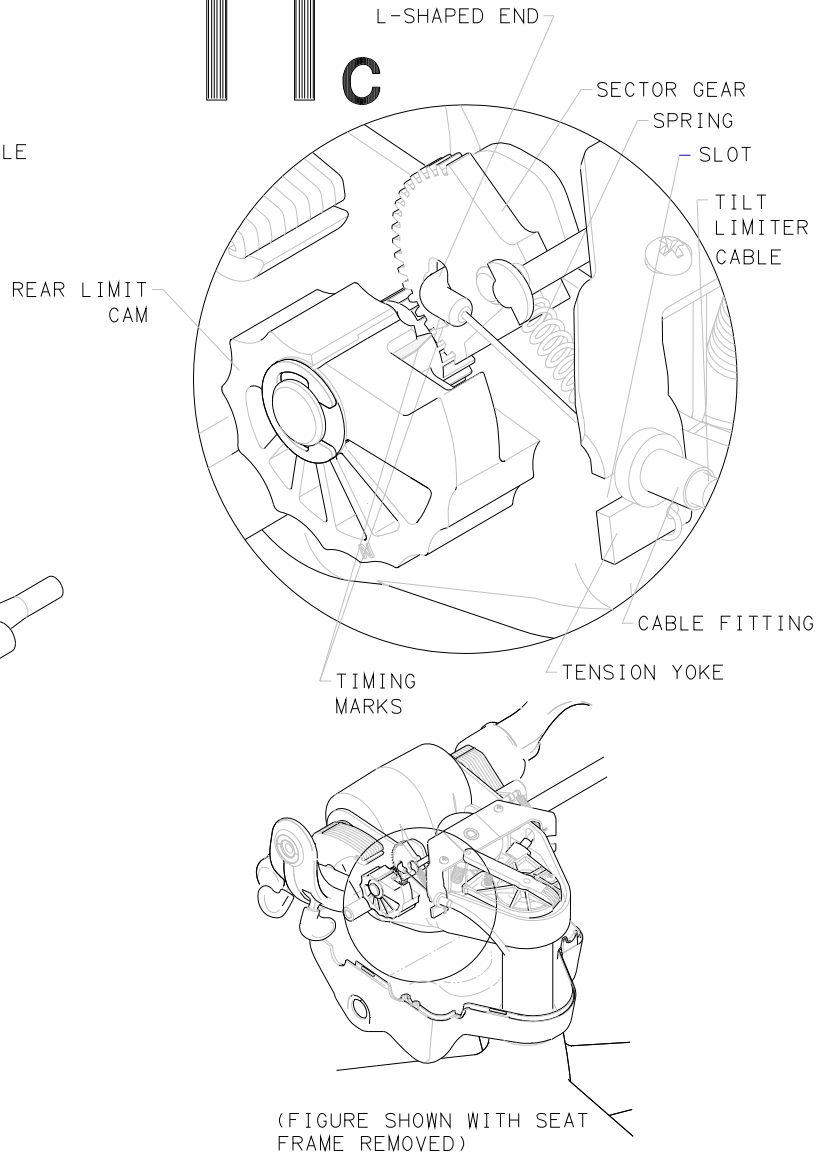
1. Tilt limiter must be in released position (tilt limiter lever all the way down.) Using small needle nose pliers, remove spring from sector gear and let hang down.
2. Using small straight head screwdriver, remove e-ring securing sector gear. Remove rear limit cam and set aside. Remove sector gear with cable attached, from sector gear post/mounting hole and dispose of properly.

167206 REV H

11b



11c



TO REINSTALL :

1. Select appropriate sector gear, one that pivots on post of tilt (older version) or one with intragrel pivoting post that inserts in tilt (newer version).
2. Insert L-shaped end of replacement tilt limiter cable into keyhole slot in replacement gear.

TO REINSTALL :

1. Slide sector gear and attached tilt limiter cable onto sector gear post/mounting hole. Attach spring to sector gear. See figure 11a.
2. Slide rear limit cam on cam post, aligning timing marks on sector gear and rear limit cam. secure with e-ring.
3. Slide tilt limiter cable fitting into slot on end of tension yoke. See figure 11a.