

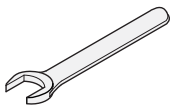
# HermanMiller

## Airia™ Desk Installation



### How to assemble your Desk.

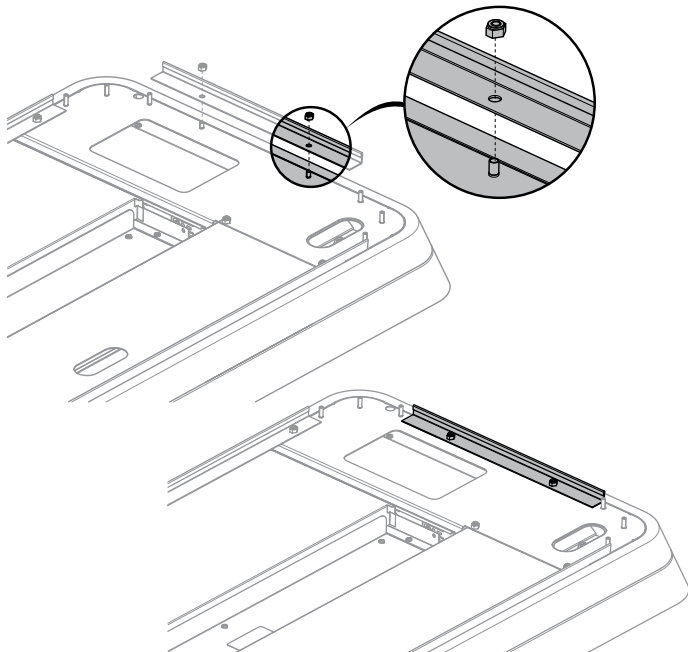
#### Tools Required



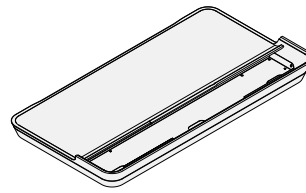
Wrench

#### Step 1

1.1  
Position desk top upside down on a clean soft surface. Install bracket over 2 bolts on edge of top as shown. Loosely attach with two lock nuts. Do not tighten. Repeat for remaining bracket on opposite edge.



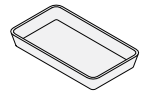
#### Parts Included



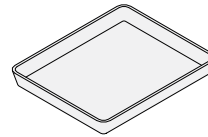
Desk Top



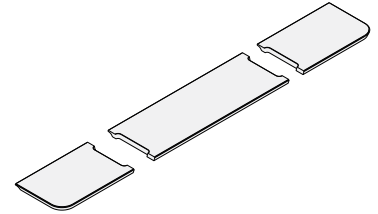
Leg (4)



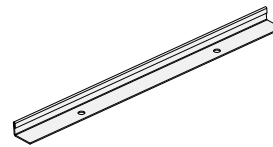
Small Organizer Tray



Large Organizer Tray (2)



Covers



Bracket (2)

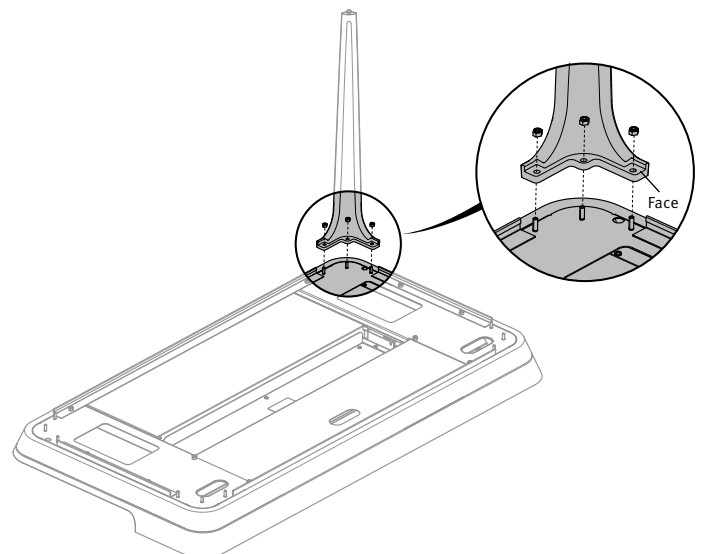


Lock Nut (16)

#### Hardware Pack

#### Step 2

2.1  
Install leg by placing over three bolts in corner of desk top. Align the face of the leg with the outer edge of the desk top. Loosely attach with three lock nuts. Repeat for remaining legs. Tighten **all** lock nuts on **all** legs and brackets using wrench provided.



### Step 3

3.1  
With help from an assistant, turn desk right side up.

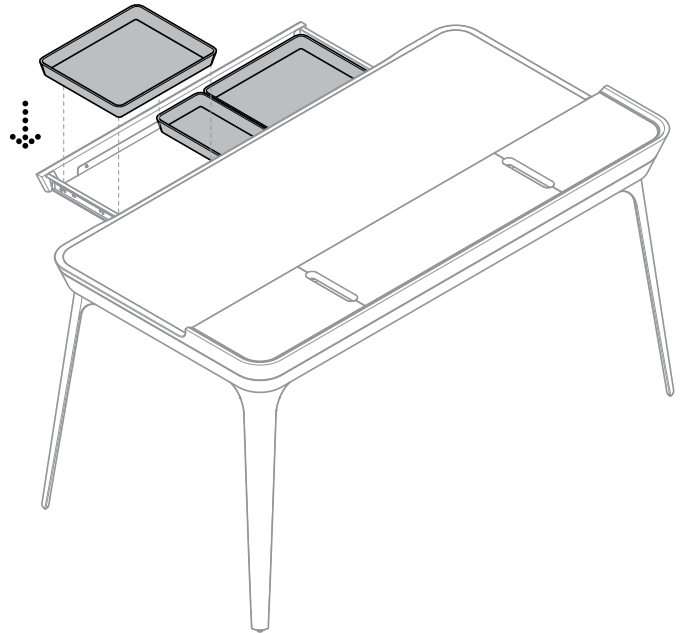
3.2  
Place covers onto top of desk.



### Step 4

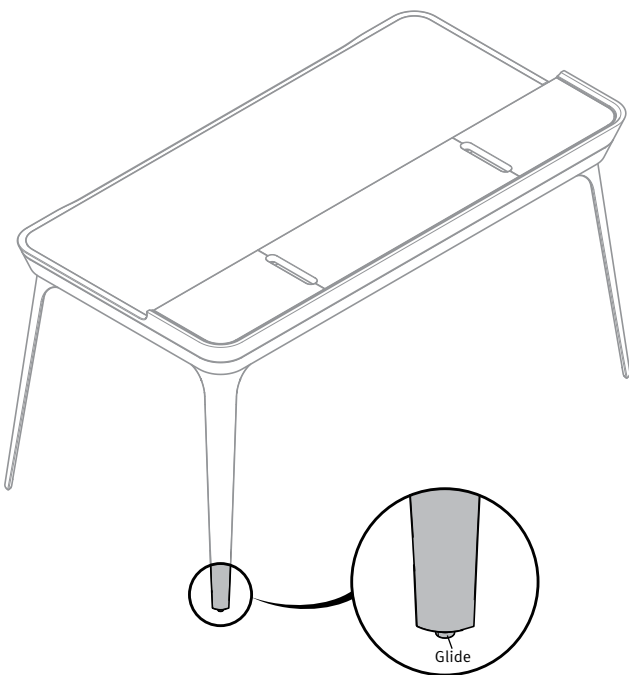
4.1  
Remove any existing packaging around drawer.

4.2  
Open drawer and place organizer trays inside.



### Step 5

5.1  
Adjust leveling glides by rotating.



For more information about our products and services please visit us at [hermanmiller.com](http://hermanmiller.com) or call (800) 851 1196.

©2016 Herman Miller, Inc., Zeeland, Michigan Printed in U.S.A. Part No. 1B4BLK - B  
Airia™ is among the trademarks of Herman Miller, Inc.