

HermanMiller

The Collection

Distil Table (TB100) Installation Instructions



For more information about our products and services or to see a list of dealers, please visit us at www.hermanmiller.com/product-instructions or call 888 - 443 - 4357.

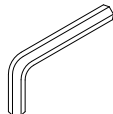
© 2015 Herman Miller, Inc., Zeeland, Michigan Printed in U.S.A. Part No. 1BDXJG - C.

How to assemble your table.

Safety Instructions & Warning

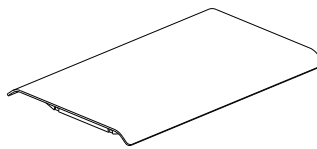
- Read all instructions before using products
- Failure to fully tighten screws may cause injury
- Sitting or standing on product may cause risk or personal injury
- Periodically check fasteners to ensure tightness
- The right is reserved to make changes at any time without notice

Tools Required



4mm Allen Wrench

Parts Included



DeskTop Qty 1



Leg (LH) Qty 2



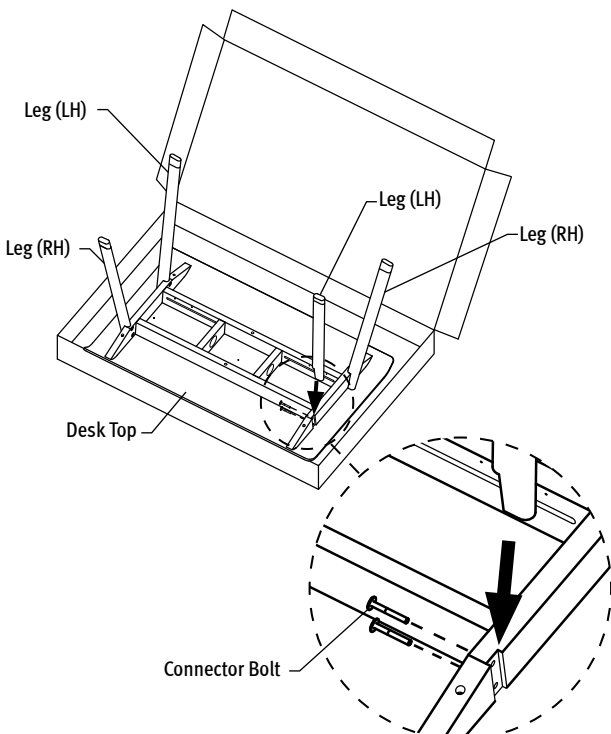
Leg (RH) Qty 2



Connector Bolt Qty 8

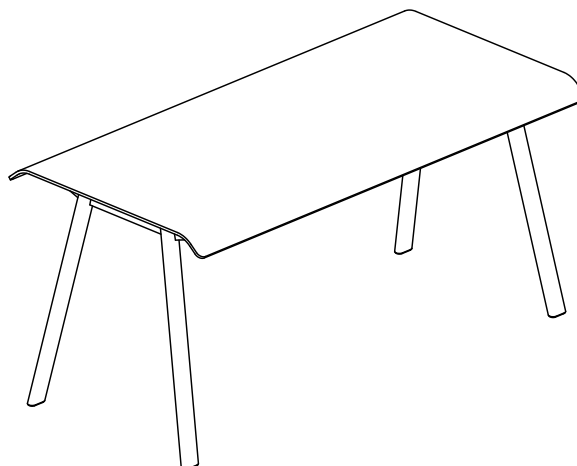
Step 1

- 1.1 Locate the Desk Top upside down in the box for leg assembly. Using an allen wrench, Install the 4 legs. Place legs labeled 'A' in slots labeled 'A'. Place legs labeled 'B' in slots labeled 'B'.



Step 2

- 2.1 Place the table in upright position.



HermanMiller

The Collection

Distil Desk Storage Assembly Instructions

TB100



For more information about our products and services or to see a list of dealers, please visit us at www.hermanmiller.com/product-instructions or call 888 - 443 - 4357.

© 2015 Herman Miller, Inc., Zeeland, Michigan Printed in U.S.A. Part No. 1BDXJG - C.

How to assemble your table.

Safety Instructions & Warning

- Read all instructions before using products
- Failure to fully tighten screws may cause injury
- Sitting or standing on product may cause risk or personal injury
- Periodically check fasteners to ensure tightness
- The right is reserved to make changes at any time without notice

Tools Required



4mm Allen Wrench

Parts Included

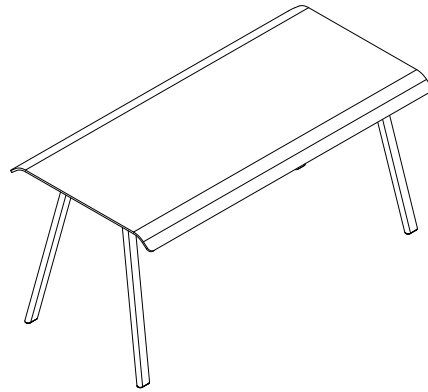
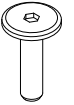
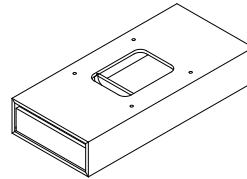


Table Qty 1



Connector Bolt Qty 4



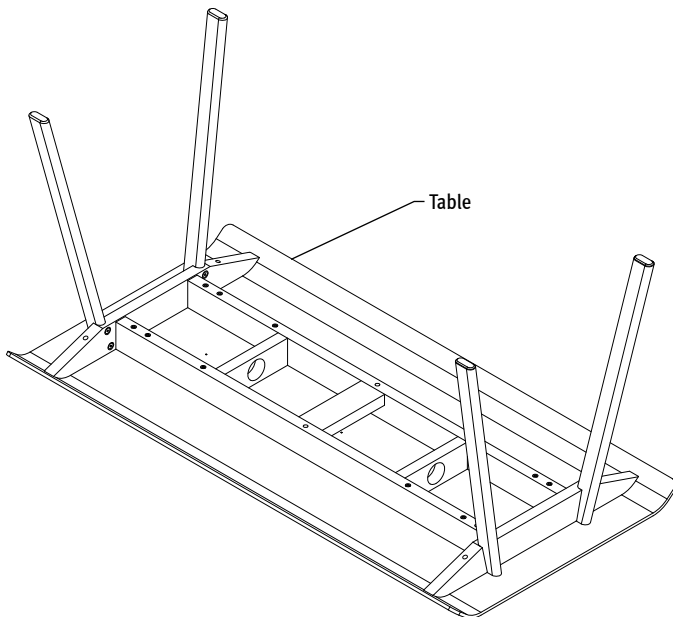
Storage Unit Qty 1



Pencil Tray
(Horizontal Unit Only) Qty 1

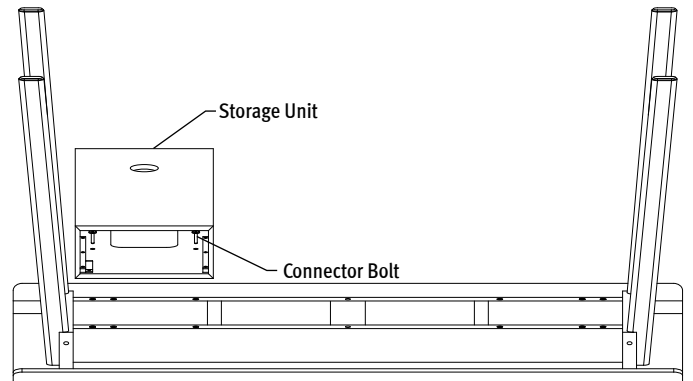
Step 1

- 1.1 Place the table upside down in the position as shown.



Step 2

- 2.1 Secure (Horizontal) storage unit to the table with connector bolt using 4mm allen wrench.



Step 3

3.1

The position of mount box for horizontal and vertical shown below.

