

HermanMiller

The Collection

Distil Table (TB200) Installation Instructions



For more information about our products and services or to see a list of dealers, please visit us at www.hermanmiller.com/product-instructions or call 888 - 443 - 4357.

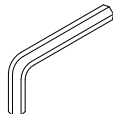
© 2015 Herman Miller, Inc., Zeeland, Michigan Printed in U.S.A. Part No. 1bdwnt - C.

How to assemble your table.

Safety Instructions & Warning

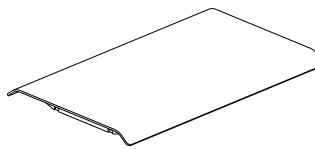
- Read all instructions before using products
- Failure to fully tighten screws may cause injury
- Sitting or standing on product may cause risk or personal injury
- Periodically check fasteners to ensure tightness
- The right is reserved to make changes at any time without notice

Tools Required



4mm Allen Wrench

Parts Included



DeskTop Qty 1



Leg (LH) Qty 2



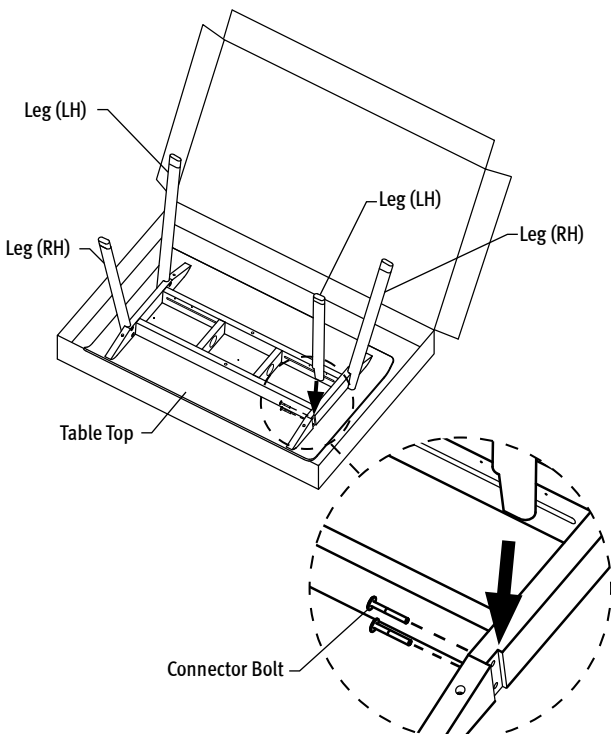
Leg (RH) Qty 2



Connector Bolt Qty 8

Step 1

- 1.1**
Locate the Desk Top upside down in the box for leg assembly.
Using an allen wrench, Install the 4 legs. Place legs labeled 'A' in slots labeled 'A'.
Place legs labeled 'B' in slots labeled 'B'.



Step 2

- 2.1**
Place the table in upright position.

