

# HermanMiller

## The Collection

### Eames® Molded Plywood Coffee Table (CTM Shown)

CTM - Metal Legs

CTW - Wood Legs



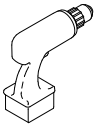
## How to assemble your table.

For more information about our products and services or to see a list of dealers, please visit us at [hermanmiller.com](http://hermanmiller.com) or call (800) 851 1196.

© 2013 Herman Miller, Inc., Zeeland, Michigan Printed in U.S.A. Part No. 1bbf9x - A.

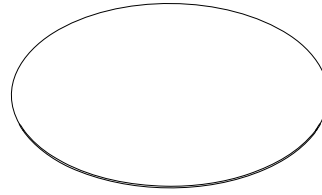
© Eames are among the registered trademarks of Herman Miller, Inc.

### Tools Required

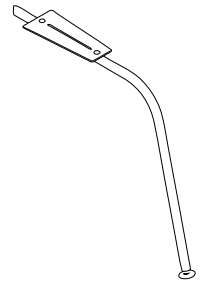


Power Driver

### Parts Included

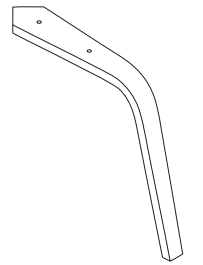


(1) Top

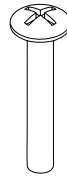


(2) Base (Qty: 4) Metal Leg

(OR)



(2) Base (Qty: 4) Wood Leg

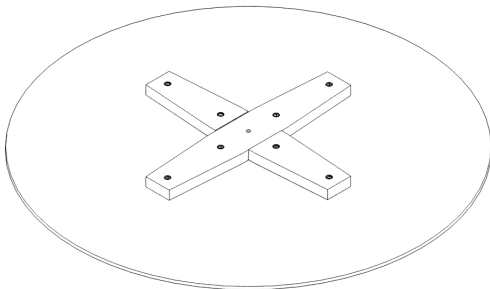


(3) Screws (Qty: 8)

### Step 1

#### 1.1

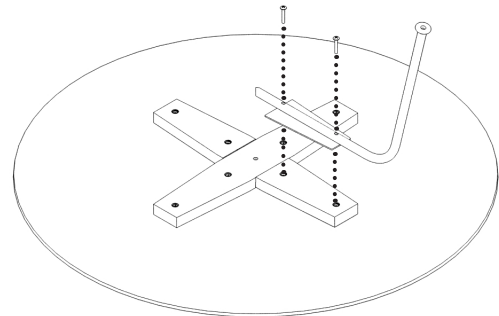
Position Top upside down.



### Step 2

#### 2.1

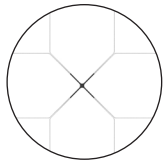
Position base to the top in a way the screw holes on the base are aligned to the screw holes on the top.



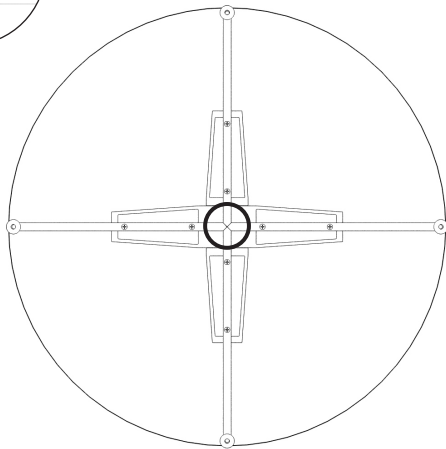
### Step 3

#### 3.1

Push legs towards center before tightening. See step 3-A.



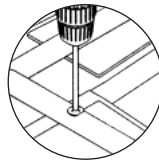
Step 3-A



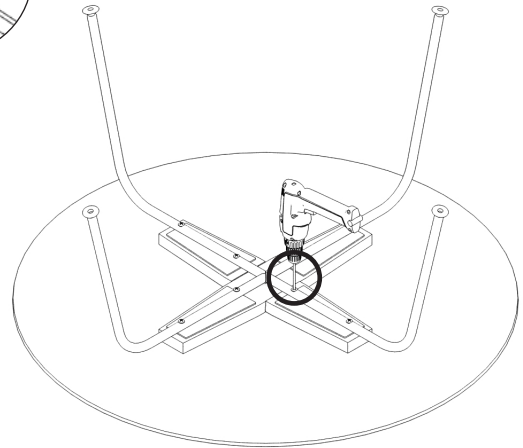
### Step 4

#### 4.1

Using power driver tighten the screws. See step 4-A.



Step 4-A

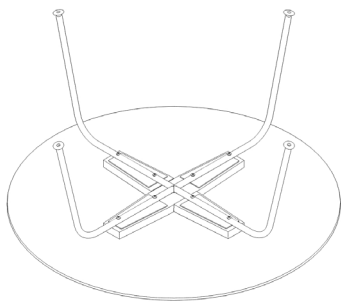


### Step 5

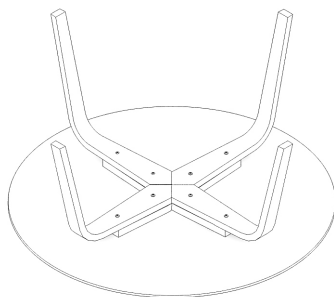
#### 5.1

Repeat steps 2 & 3 to assemble the remaining 3 legs.

#### Metal Leg



#### Wood Leg

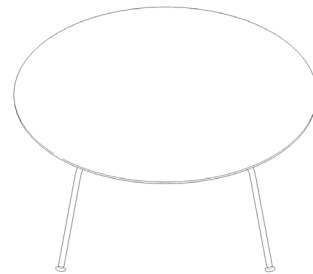


### Step 6

#### 6.1

Rotate the table back to its original position.

#### Metal Leg



#### Wood Leg

