

HermanMiller

The Collection

Eames® Coffee Table (CTW1)

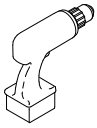


How to assemble your table.

For more information about our products and services or to see a list of dealers, please visit us at hermanmiller.com or call (800) 851 1196.

© 2013 Herman Miller, Inc., Zeeland, Michigan Printed in U.S.A. Part No. 1bbfy9 - A.
© Eames are among the registered trademarks of Herman Miller, Inc.

Tools Required



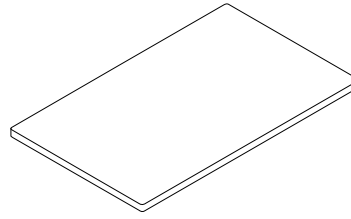
Power Driver

OR

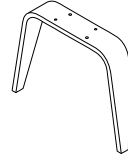


Phillips Screwdriver

Parts Included



(1) Top



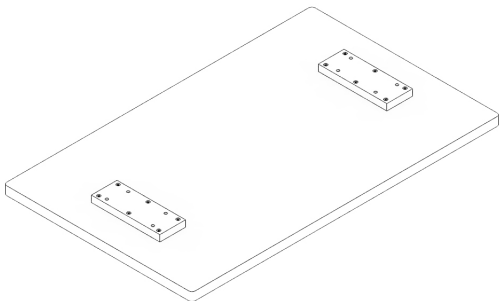
(2) Leg (Qty: 2)



(3) Screw (Qty: 8)

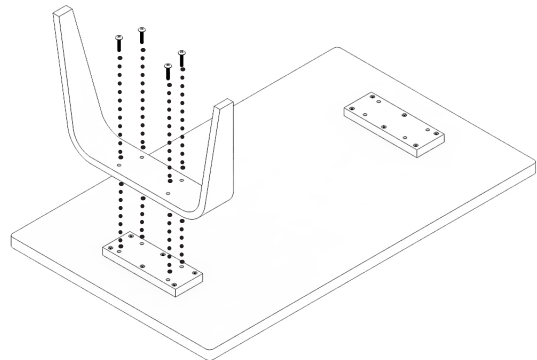
Step 1

- 1.1**
Position Top upside down.



Step 2

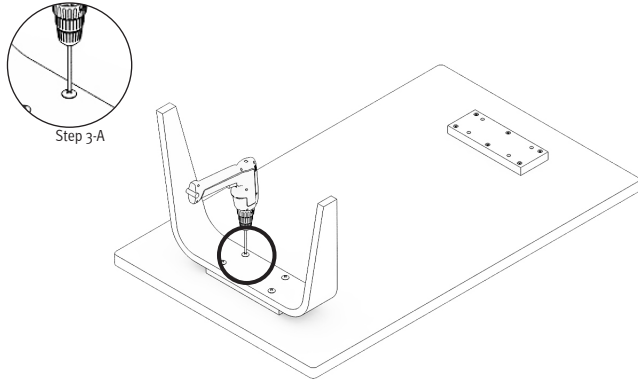
- 2.1**
Position leg to the top in a way the screw holes on the leg are aligned to the screw holes on the top.



Step 3

3.1

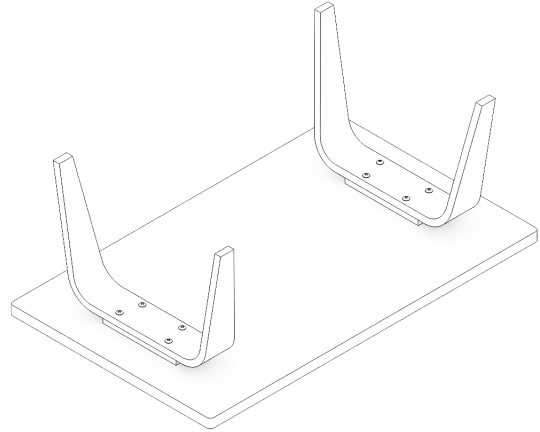
Using power driver tighten the screws. See step 3-A.



Step 4

4.1

Repeat steps 2 & 3 to assemble the other leg.



Step 5

5.1

Rotate the table back to its original position.

