

HermanMiller

The Collection

Eames® Square, Round, and Mobile Table Assembly

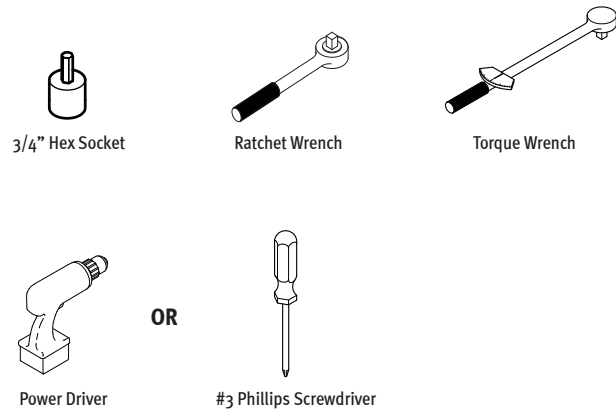


How to assemble your table.

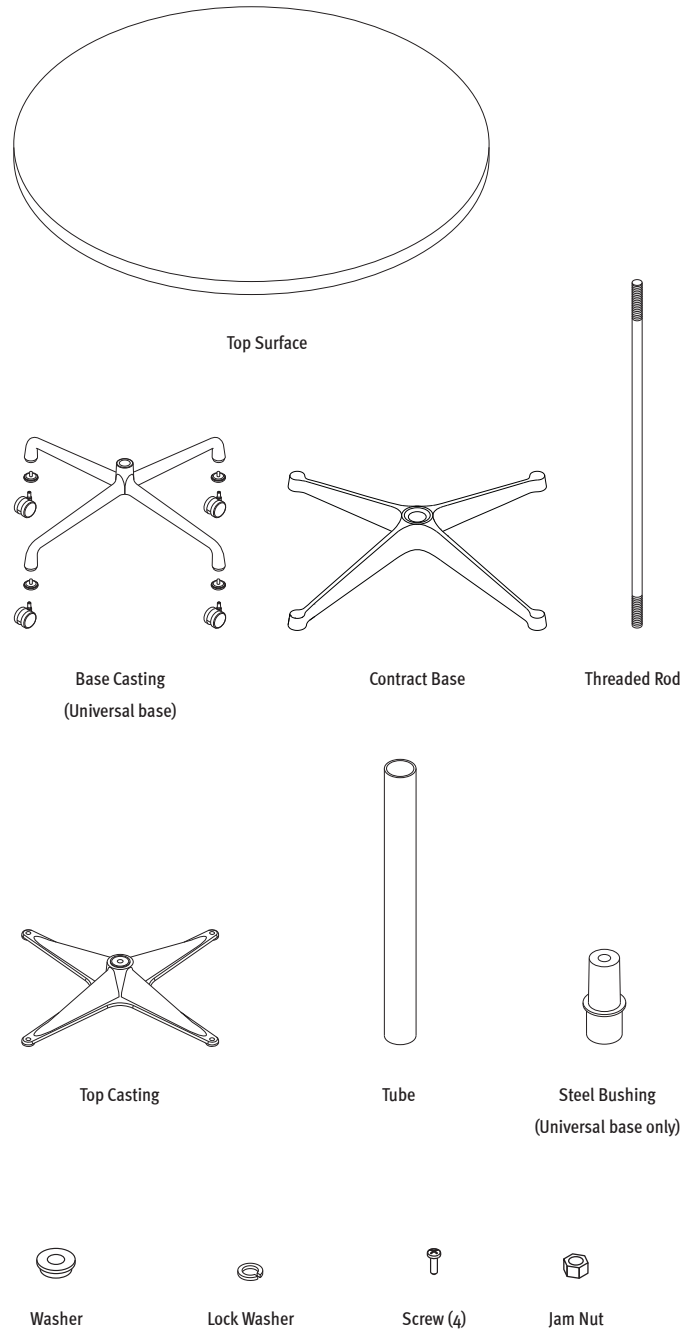
For more information about our products and services or to see a list of dealers, please visit us at hermanmiller.com or call (800) 851 1196.

© 2013 Herman Miller, Inc., Zeeland, Michigan Printed in U.S.A. Part No. 108445 - L.
 © Eames are among the registered trademarks of Herman Miller, Inc.

Tools Required



Parts Included

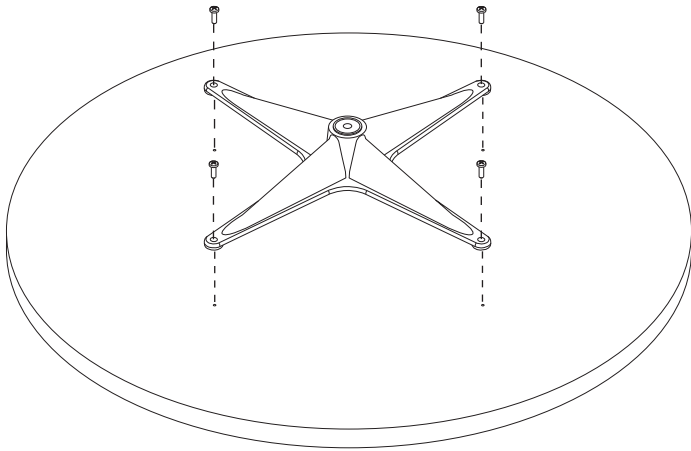


Step 1

1.1
Invert table top on a clean, Padded surface.

1.2
Align top casting on table top.

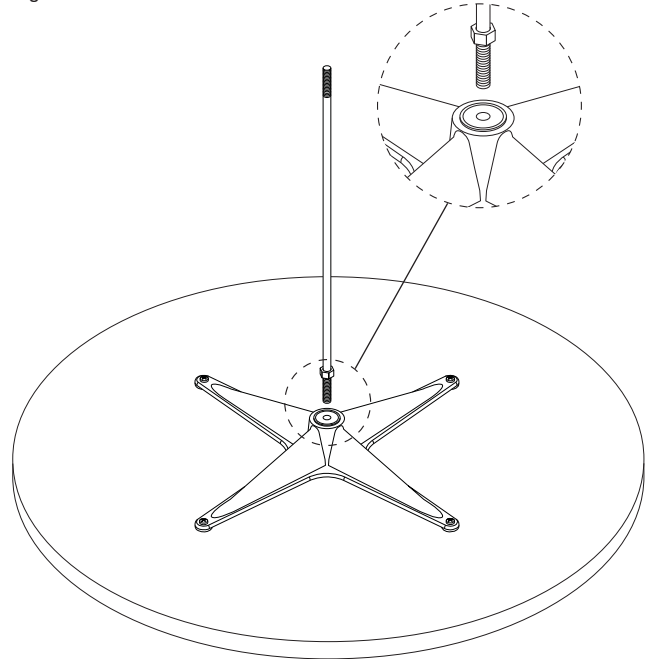
1.3
Insert (4) screws and tighten..



Step 2

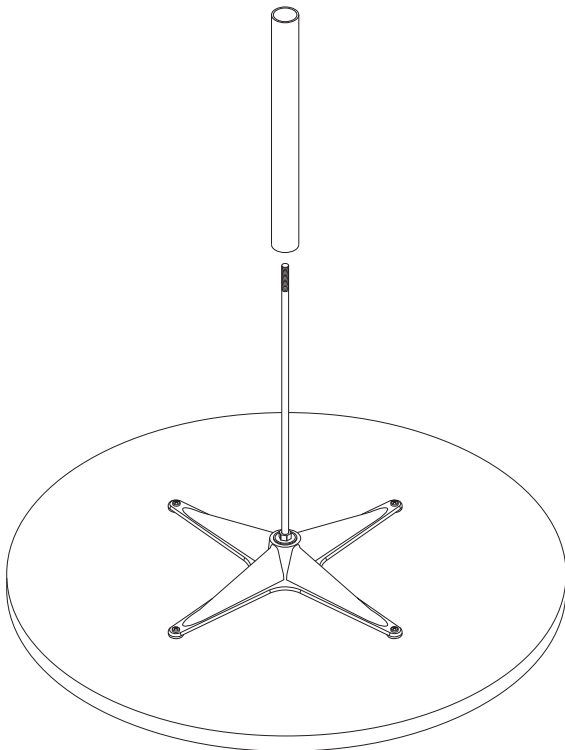
2.1
Thread jam nut completely onto one end of threaded rod until jam nut will not turn.

2.2
Insert rod, jam nut down, and thread completely into top casting. Tighten jam nut against top casting.



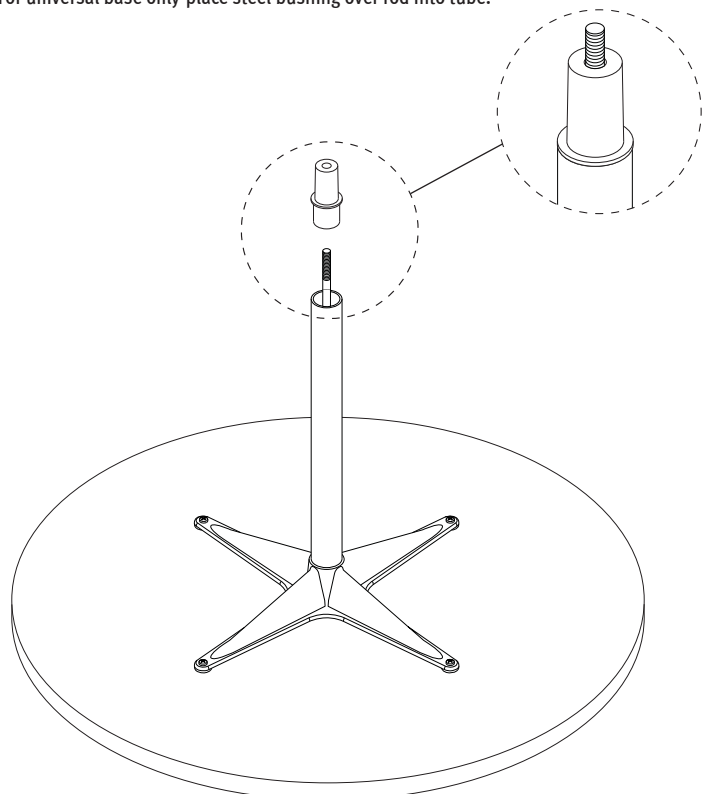
Step 3

3.1
Place tube over rod onto top casting.



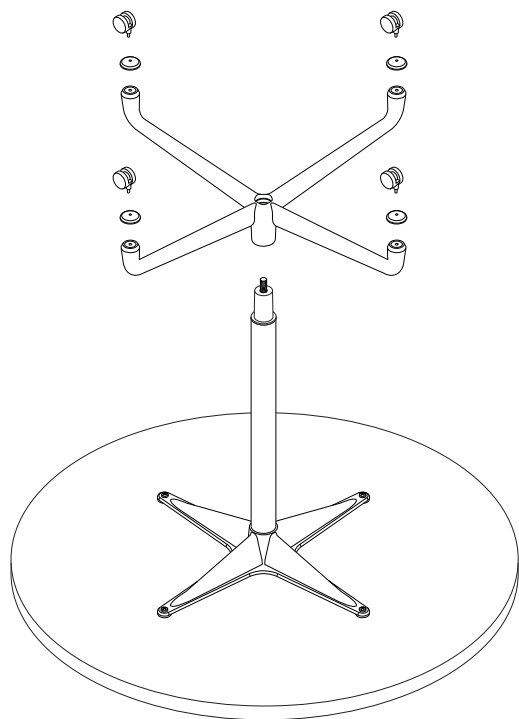
Step 4

4.1
For universal base only-place steel bushing over rod into tube.



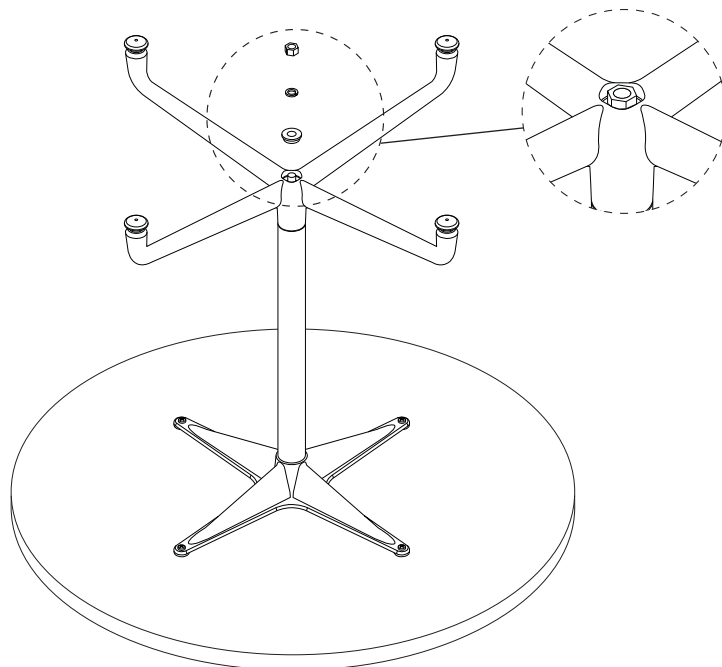
Step 5

5.1
Invert table base casting, casters/glides up, and place over tube, making sure that base casting legs are aligned approximately with top casting arms. (for mobile table only, insert casters into base).



Step 6

6.1
Assemble washer and lock washer onto threaded rod. Torque jam nut to minimum of 40 ft-lbs.



Step 7

7.1
Place table in upright position and return to service.

