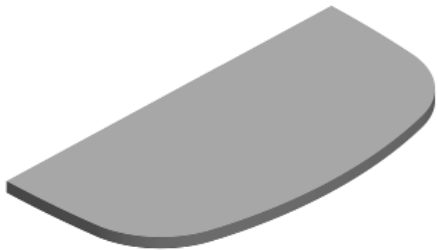
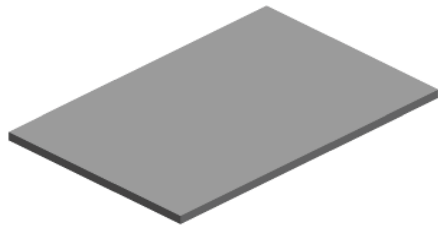


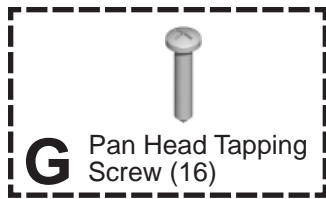


# Everywhere Tables™ Adjustable Leg and Flip -Top Table Installation

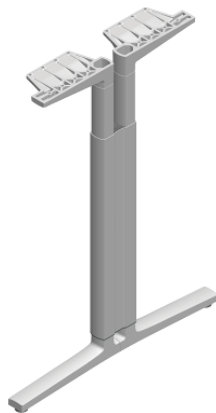
## Parts Included:



**A** Work Surface Options



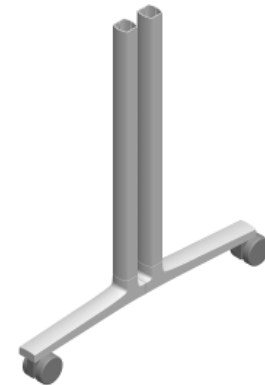
**G** Pan Head Tapping Screw (16)  
Hardware Pack



**B** T Leg Option (2 Sets)



**C** C Leg Option



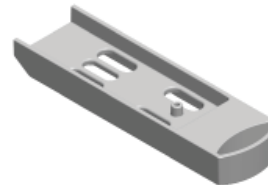
**D** Leg Assembly (2)



**E** Cross Member Assembly



**F** Socket Head Cap Screw (4)

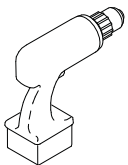


**H** Paddle (2)



**J** Snap Retainer Bracket (2)

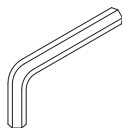
## Tools Required:



Power Driver



#2 Phillips Bit



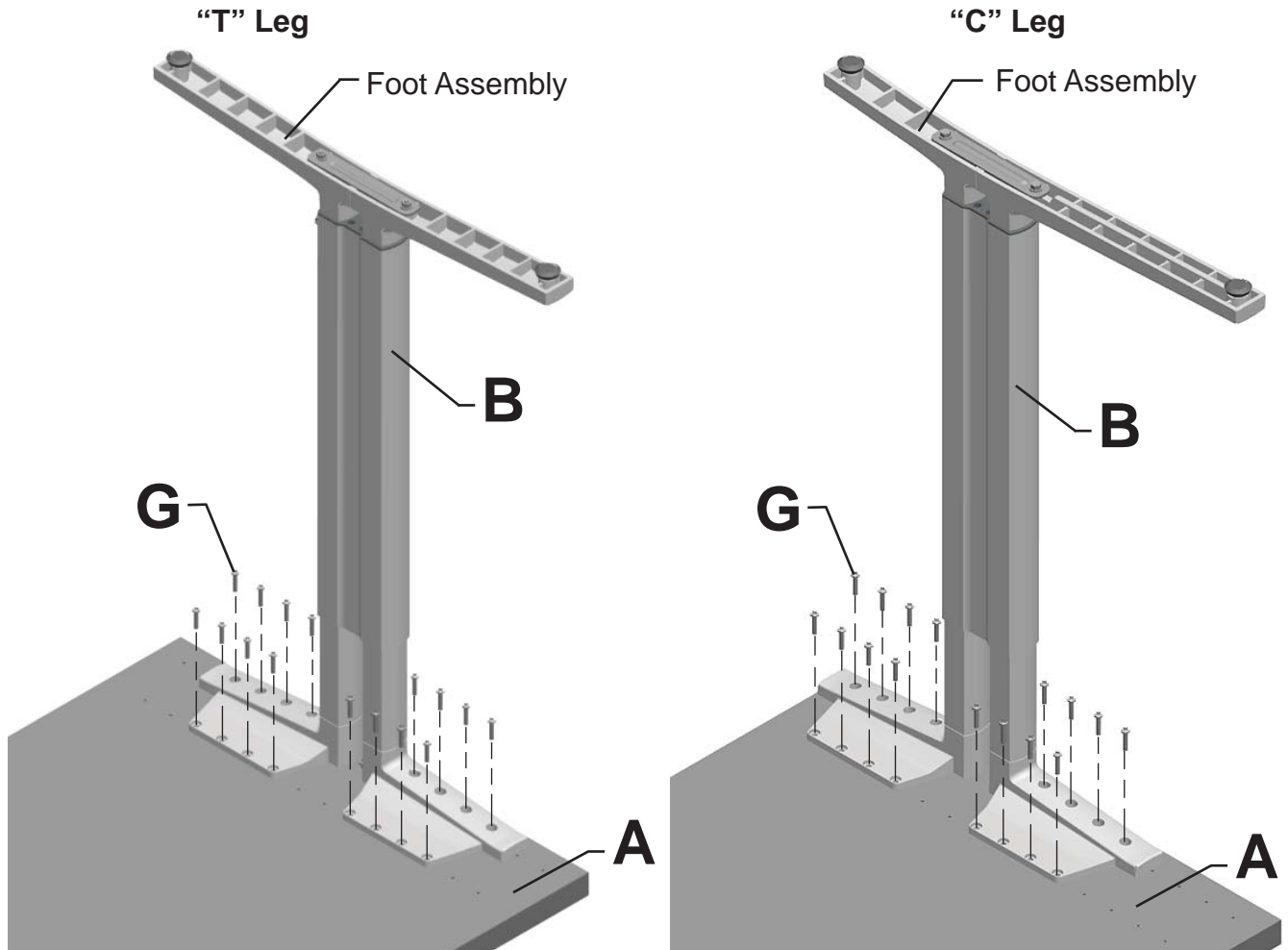
3/8" Allen Wrench

## HermanMiller

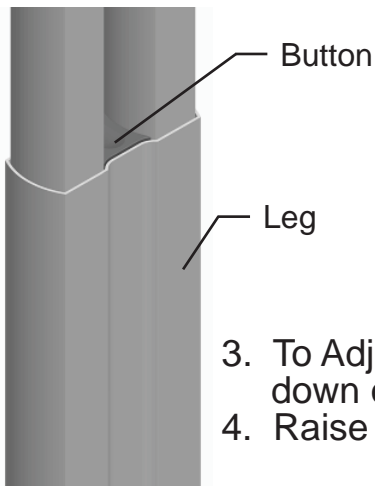
© 2010 Herman Miller, Inc. Zeeland, Michigan. Printed in the U.S.A.  
™ Herman Miller, Everywhere Tables are among the trademarks of Herman Miller, Inc. Part no 1B6Kof rev A.

Illustrations and specifications are based on the latest product information available at the time of publication.  
The right is reserved to make changes in design and specifications at any time, without notice, and also to discontinue products.

## Adjustable Leg Installation:

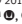


1. Position Leg Assembly at each end on bottom side of Work Surface (A) so that Foot Assembly is centered on depth of Work Surface.
2. Install 16 Pan Head Tapping Screws (G) per leg.



3. To Adjust work surface height, support work surface then push down on button on Legs.
4. Raise or lower work surface to desired height.

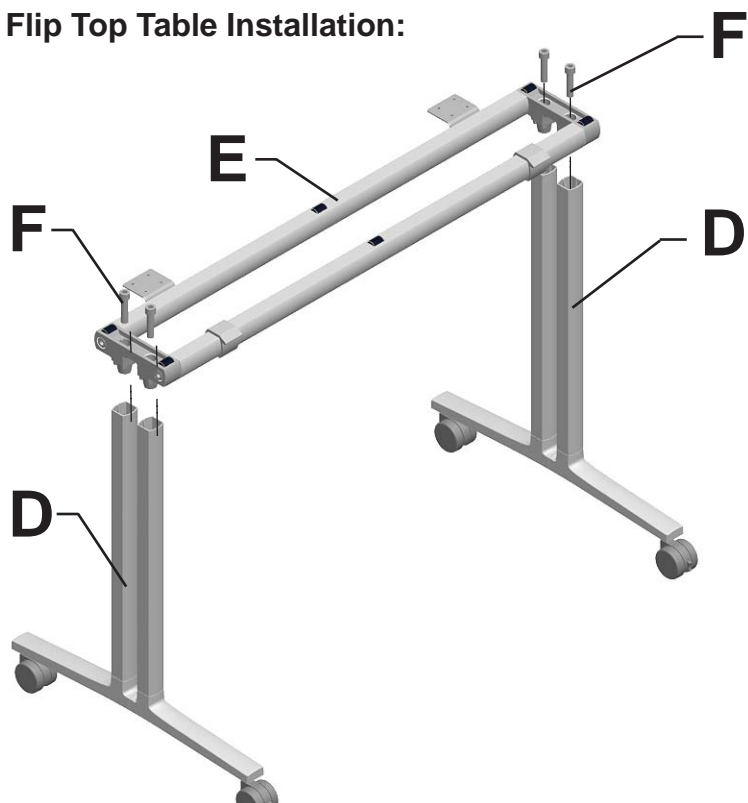
**HermanMiller**

© 2010 Herman Miller, Inc. Zeeland, Michigan. Printed in the U.S.A.  
™  **HermanMiller**, Everywhere Tables are among the trademarks of Herman Miller, Inc. Part no 1B6Kof rev A.

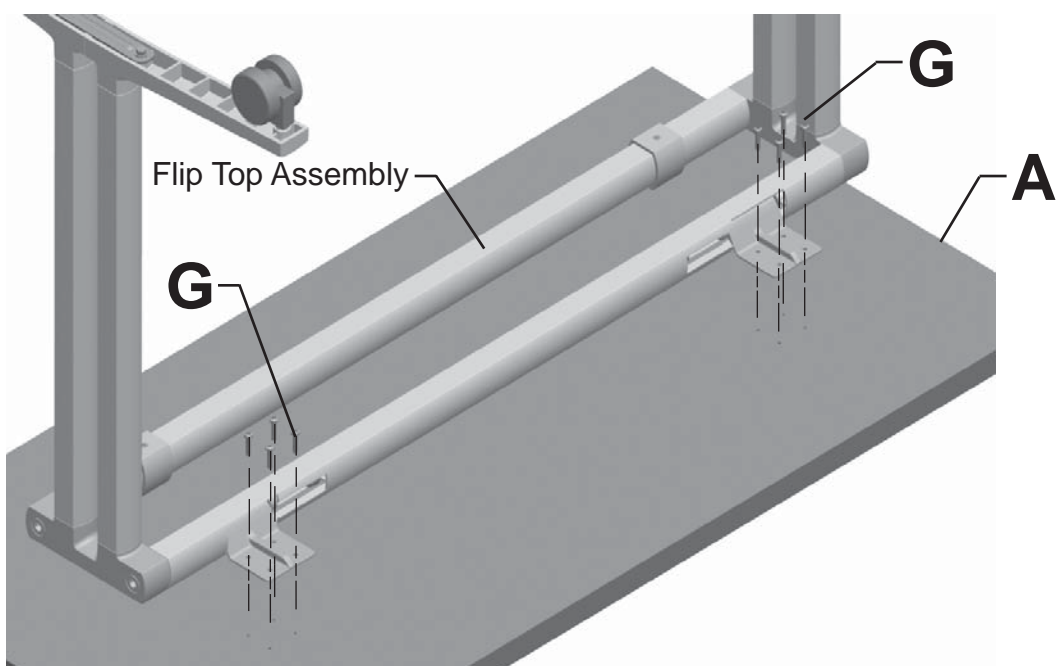
Illustrations and specifications are based on the latest product information available at the time of publication.  
The right is reserved to make changes in design and specifications at any time, without notice, and also to discontinue products.

---

**Flip Top Table Installation:**



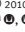
1. Insert Leg Assemblies (D) into Cross Member Assembly (E).
2. Secure Legs to Cross Member with 4 Socket Head Cap Screws (F).

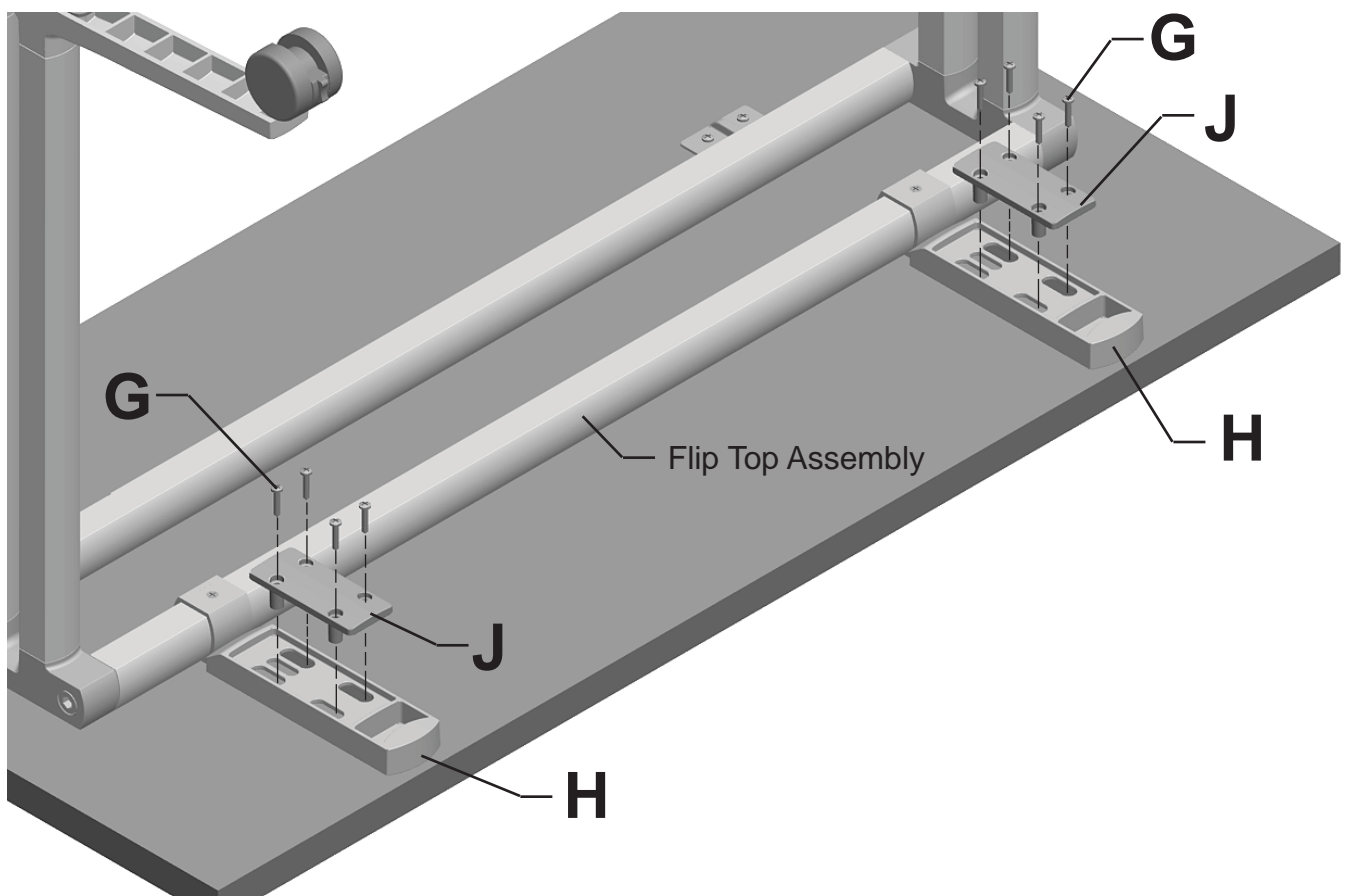


3. Position Flip Top Assembly onto Work Surface (A).
4. Install 8 Pan Head Tapping Screws (G).

---


**HermanMiller**

© 2010 Herman Miller, Inc. Zeeland, Michigan. Printed in the U.S.A.  
™  Herman Miller, Everywhere Tables are among the trademarks of Herman Miller, Inc. Part no 1B6Kof rev A.  
Illustrations and specifications are based on the latest product information available at the time of publication.  
The right is reserved to make changes in design and specifications at any time, without notice, and also to discontinue products.



5. Position Paddles (H) up against Collars on Cross Members.
6. Press Snap Retainer Brackets (J) onto Paddles.
7. Install 8 Pan Head Tapping Screws (G).

## HermanMiller

© 2010 Herman Miller, Inc. Zeeland, Michigan. Printed in the U.S.A.  
™  Herman Miller, Everywhere Tables are among the trademarks of Herman Miller, Inc. Part no 1B6Kof rev A.

Illustrations and specifications are based on the latest product information available at the time of publication.  
The right is reserved to make changes in design and specifications at any time, without notice, and also to discontinue products.