



# Everywhere Tables™ Single Column Base (S) Installation and Disassembly for Recycling Instructions

## Parts Included:



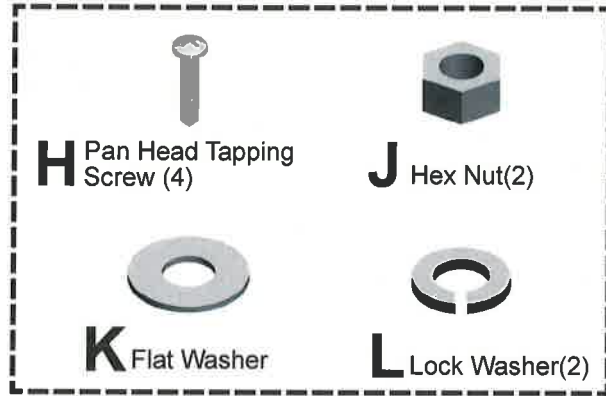
**A** Work Surface Options



**D** Cap



**E** Lock Ring



Hardware Pack



**F** Spider



**G** 4-Leg Base



**B** Leg Extrusion



**C** Threaded Rod

## Tools Required:



Power Driver



Ratchet Wrench



#2 Phillips Bit



3/8" Socket



T-50 Torx Driver



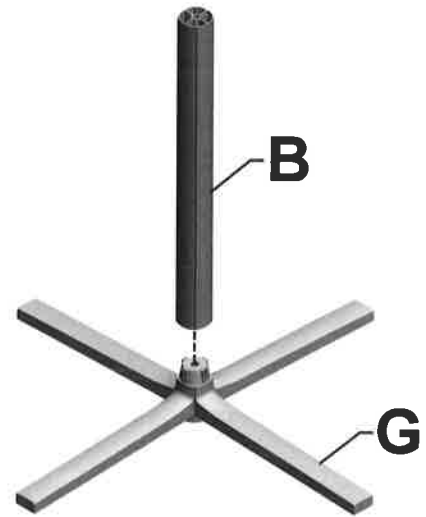
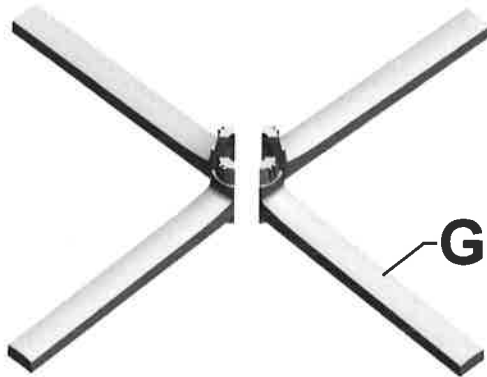
Safety Glasses

**HermanMiller**

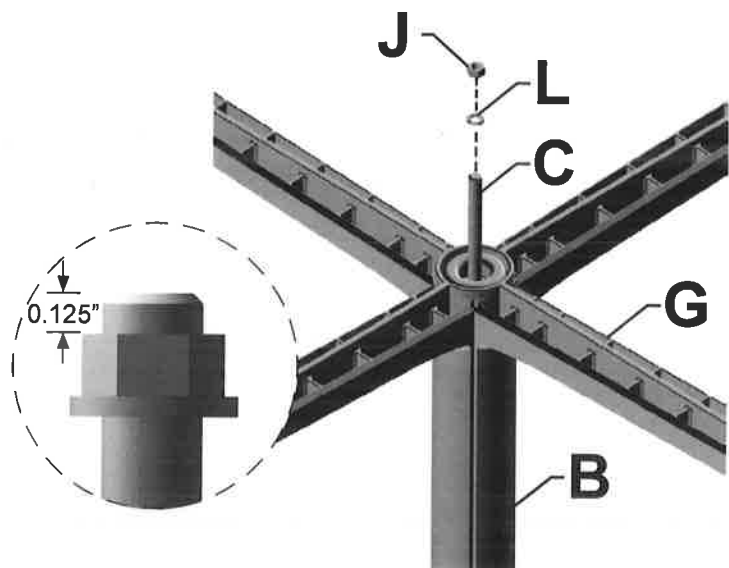
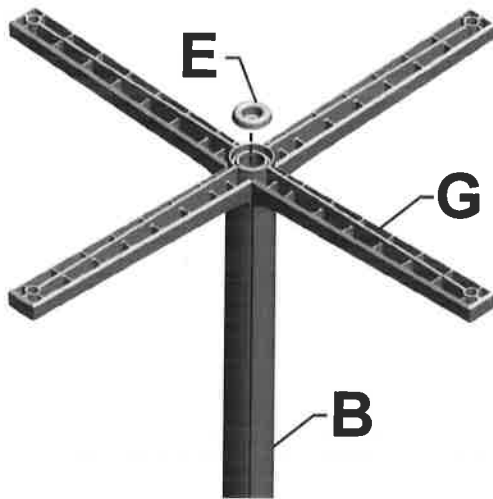
Part no. 1b6k0d rev F.

© 2014 Herman Miller, Inc. Zeeland, Michigan. Printed in the U.S.A.  
 ®, © Herman Miller, Everywhere Tables are among the trademarks of Herman Miller, Inc.  
 Illustrations and specifications are based on the latest product information available at the time of publication.  
 The right is reserved to make changes in design and specifications at any time, without notice, and also to discontinue products.

## Assembly Instructions:



1. Assemble 4-leg base(G) together.
2. 4 Leg Bases(G) fit into Leg Extrusion(B).



3. Assemble Lock Ring(E) to bottom of Leg base(G).
4. Insert Threaded Rod(C) with Lock Washer(L) & Hex Nut(J) at bottom of Leg Base(G).

**HermanMiller**

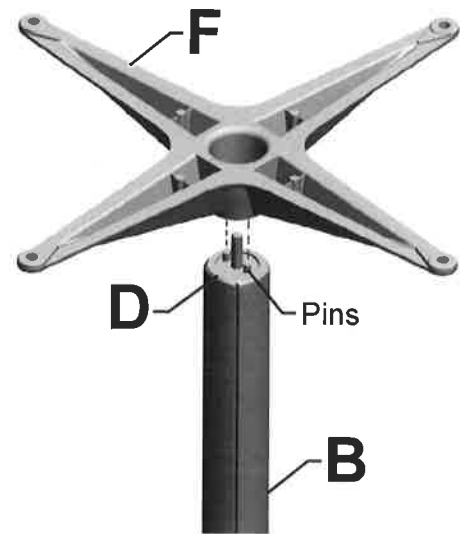
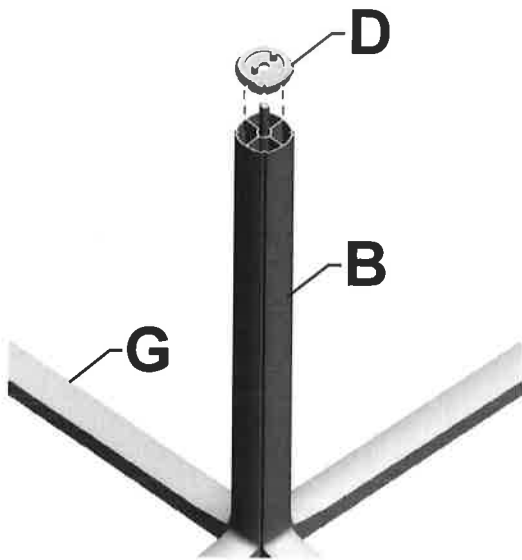
Part no. 1b6k0d rev F.

© 2014 Herman Miller, Inc. Zeeland, Michigan. Printed in the U.S.A.

™, ®, Herman Miller, Everywhere Tables are among the trademarks of Herman Miller, Inc.

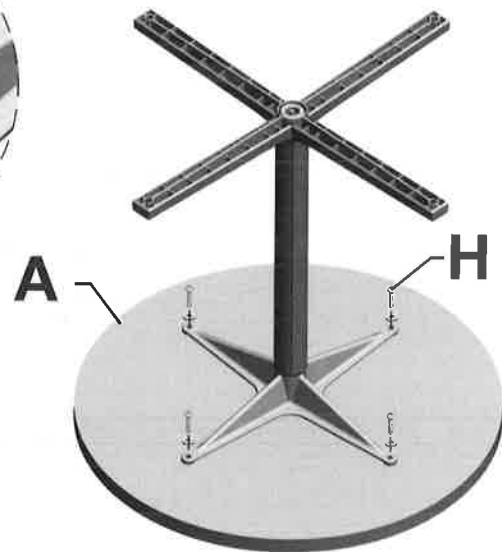
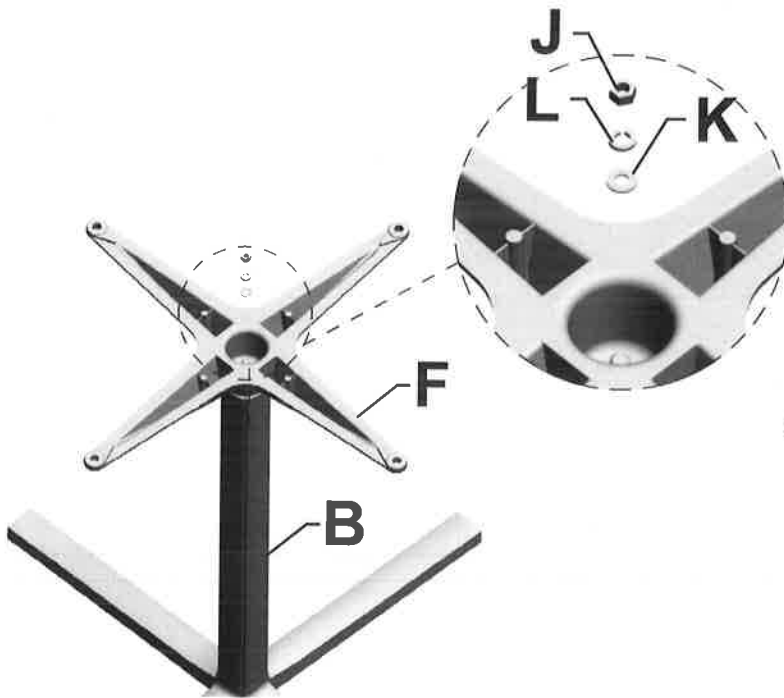
Illustrations and specifications are based on the latest product information available at the time of publication.

The right is reserved to make changes in design and specifications at any time, without notice, and also to discontinue products.



5. Assemble Cap(D) on top of Leg Extrusion(N).

6. Place Spider(F) on top of Cap(D). Make sure pins are in holes in Spider(F).



7. Place Flat Washer(K), Lock Washer(L) and Hex Nut(J) to top of Threaded Rod(C). Tighten.

8. Using Pan Head screw(H) assemble Work Surface(A) with Leg Base assembly.

**HermanMiller**

Part no. 1b6k0d rev F.

© 2014 Herman Miller, Inc. Zeeland, Michigan. Printed in the U.S.A.

\* ®, © Herman Miller. Everywhere Tables are among the trademarks of Herman Miller, Inc.

Illustrations and specifications are based on the latest product information available at the time of publication.

The right is reserved to make changes in design and specifications at any time, without notice, and also to discontinue products.