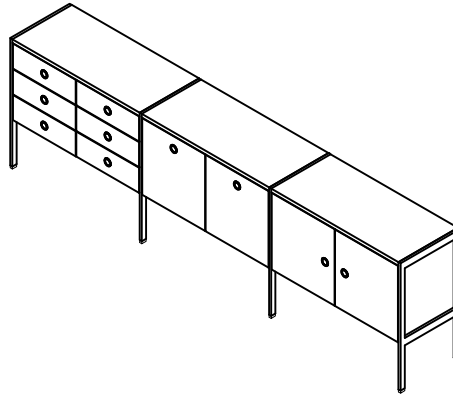


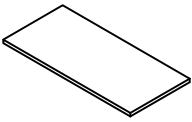
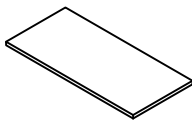
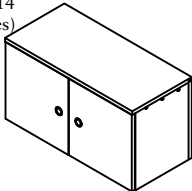
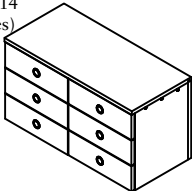
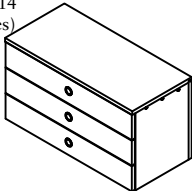
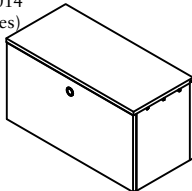
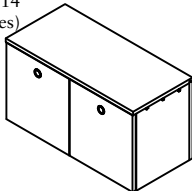


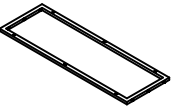


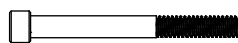

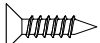
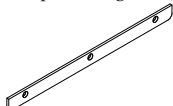
Parts List

Tools Required

- o 4' level
- o 3/16" Hex Wrench
- o Cordless Drill
- o Drill bits:
 - o #2 Robertson
 - o #3 Phillips

Assembled H-Frame Credenza
(Configuration and number of sections varies)

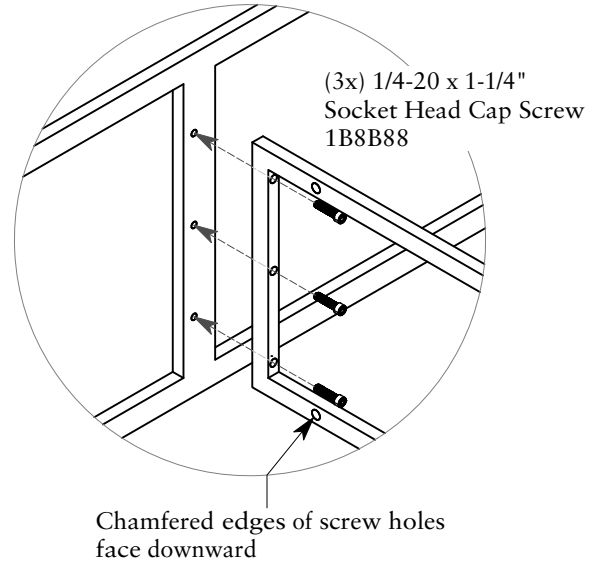
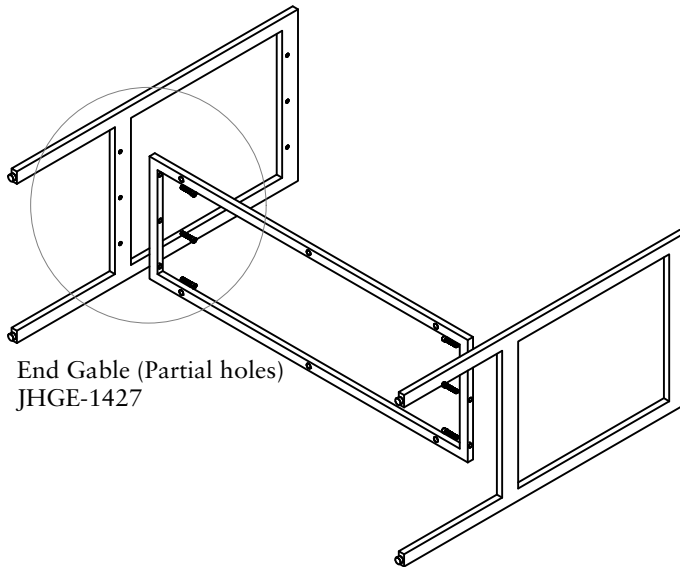


<p>Wood Shelf (2x per section) JHST-3014 (qty varies)</p> 	<p>Stone Shelf (2x per section) JHSTS-3014 (qty varies)</p> 	<p>Two Door Storage JHL2-3014 (qty varies)</p> 	<p>Six Box Drawer Storage JHLG-3014 (qty varies)</p> 	<p>Three Box Drawer Storage JHLK-3014 (qty varies)</p> 
<p>One File Drawer Storage JHLH-3014 (qty varies)</p> 	<p>Two File Drawer Storage JHLF-3014 (qty varies)</p> 	<p>End Gable (3/8" deep holes) JHGE-1427 (2 per credenza)</p> 	<p>Center Gable (Through Holes) JHGC-1427 (qty varies)</p> 	<p>Horizontal Support 95712 (x 2 per shelf section, x 1 per storage section)</p> 
<p>1/4-20 x 1" Socket Head Cap Screw 1B6C9P Attaches Horizontal Support to End Gable (qty varies)</p> 	<p>1/4-20 x 1-1/4" Socket Head Cap Screw 1B8B88 Attaches Storage to End Gable JHGE-1427 (qty varies)</p> 	<p>1/4-20 X 2-1/2" Socket head Cap Screw 1B6C9R Attaches Horizontal Support to Center Gable (qty varies)</p> 	<p>1/4-20 Lock Nut 1B6CBT Used with Bolt 1B6C9R (qty varies)</p> 	<p>#8 x 1" Flat Head Wood Screw 50162 Attaches wood shelf or wood Storage to Horizontal Support 95712 (qty varies)</p> 
<p>9" x 5/8" x 1/8" Metal Shim 1B8B89 Acts as washer between screws and storage unit (qty = 2 per storage unit)</p> 				

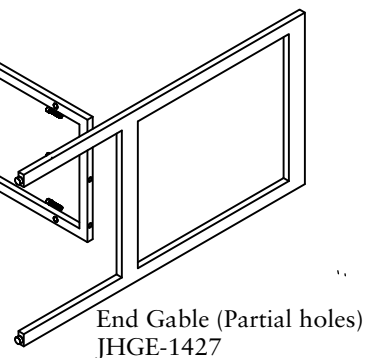
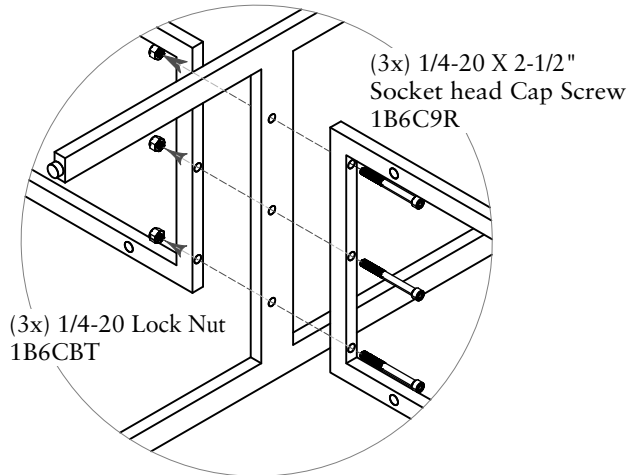
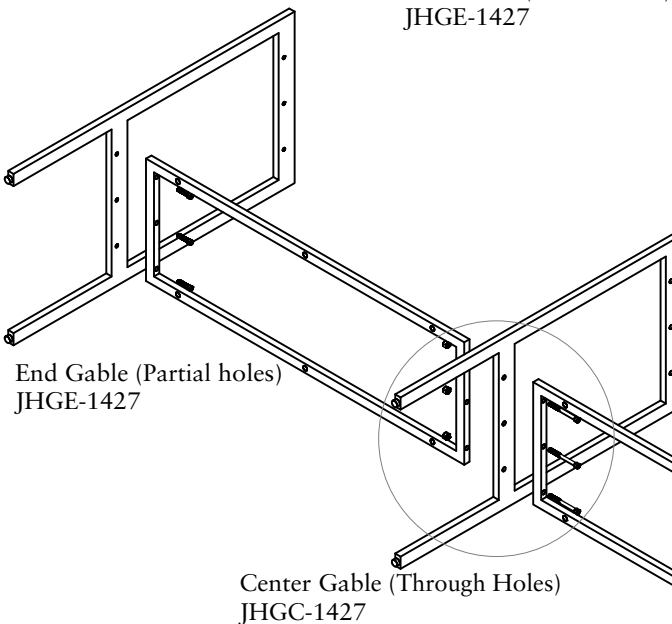
1. Assemble Frames

- A. Assemble frames as shown below, but do not fully tighten to allow placement of storage/shelf elements later. Assemble with gables resting with their backs on a protected surface. Use a 3/16" Hex wrench to drive bolts into threaded holes in gables. Make sure chamfered side of screw holes on horizontal supports are on the bottom.

Single section credenza

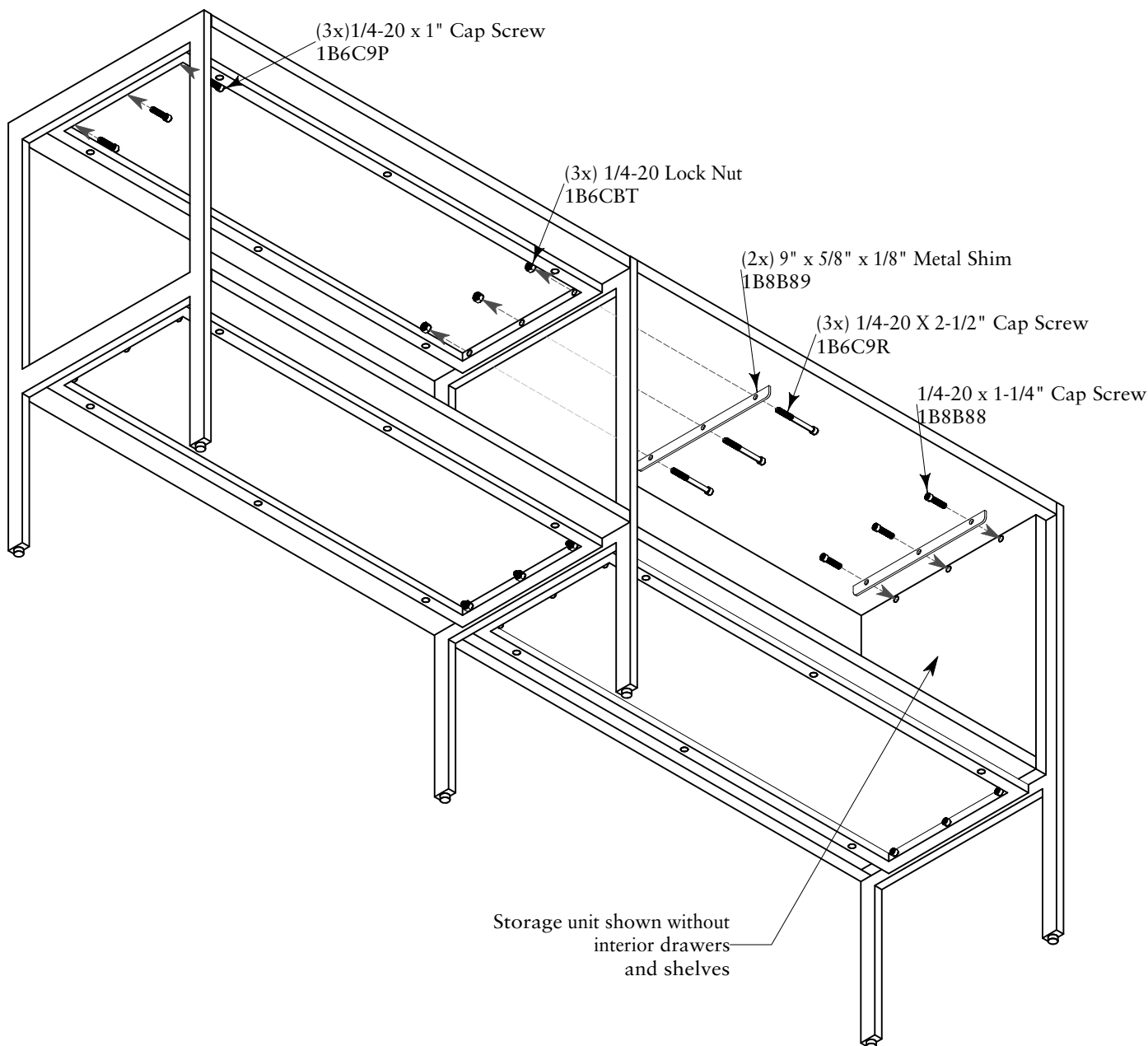


Multi-section credenza



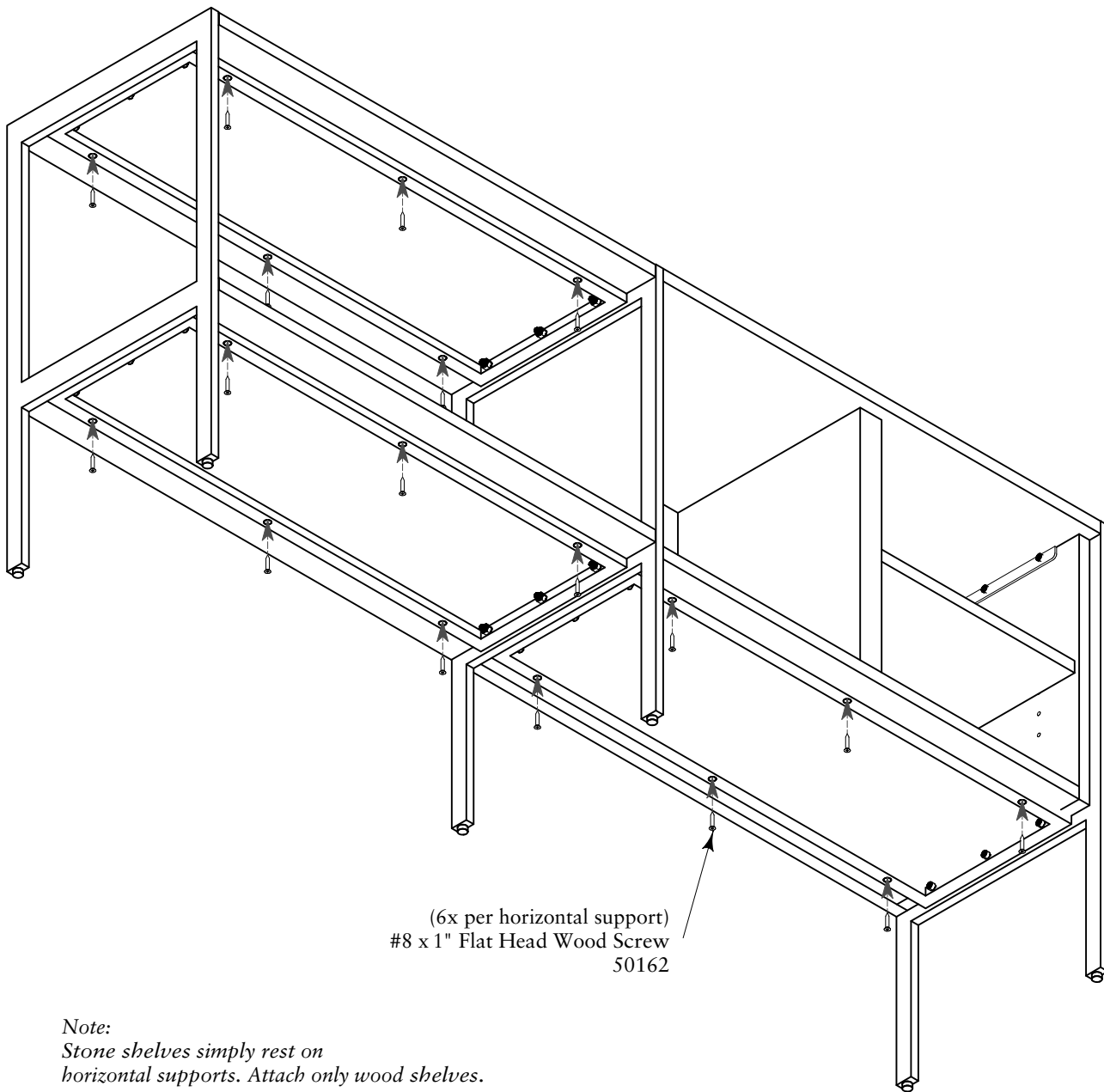
2. Assemble Shelves and Storage

- A. Carefully flip assembled frame upright and place in final location.
- B. Place lower shelves and storage cabinet(s) onto lower horizontal supports, make sure they are aligned in the front and back with gables.
- C. Fully tighten bolts connected in step 1.
- D. Remove drawers from storage cabinets to allow access to bolt holes on interior of cabinet.
- E. Bolt storage cabinet(s) and upper horizontal supports to gables as shown.



3. Fasten Shelves and Storage to Horizontal Supports

- A. Fasten shelves and storage unit(s) to horizontal supports using #8 x 1" (50162) wood screws.
- B. Replace drawers and shelves in storage unit.
- C. Level assembled H-Frame credenza.



*Note:
Stone shelves simply rest on
horizontal supports. Attach only wood shelves.*