

NELSON TABLE INSTRUCTIONS

TOOLS PROVIDED IN HARDWARE PACK:
 M5 ALLEN WRENCH
 3/16 ALLEN WRENCH

PROCEDURE:

1. LAY TABLE FACE DOWN ON PADDED CLEAN SURFACE.
2. ASSEMBLE STRETCHER(S) TO LEGS. SEE FIGURE 1 OR 2. TIGHTEN JOINT CONNECTORS (MALE AND FEMALE) USING TWO ALLEN WRENCHES.
3. ASSEMBLE LEGS TO TABLE USING 1/4-20 SCREWS USING 3/16 ALLEN WRENCH. SEE FIGURE 3 OR 4.
4. WHEN ASSEMBLING HOME DESK USE PACKAGING FILLER TO SUPPORT THE FRONT EDGE OF THE DESK TO PREVENT DAMAGE. SEE FIGURE 5.

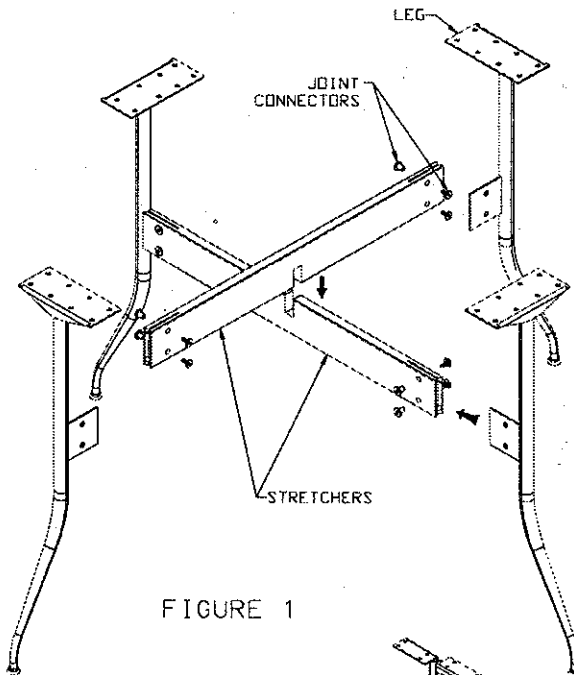


FIGURE 1

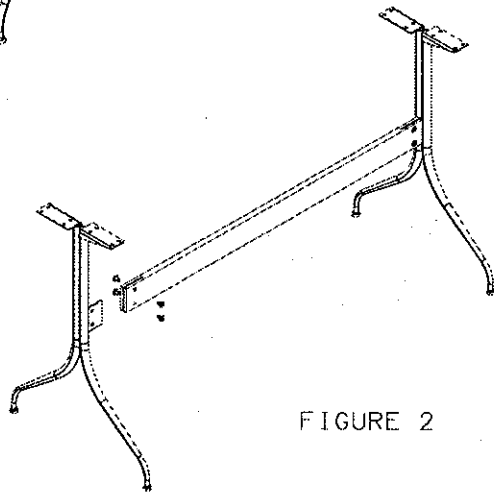


FIGURE 2

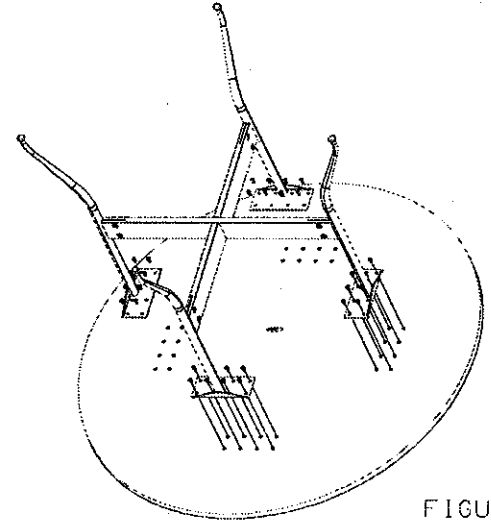


FIGURE 3

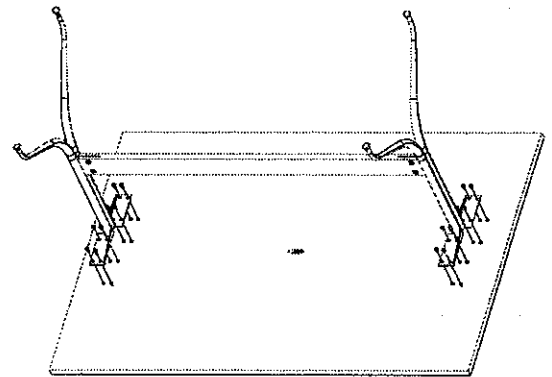


FIGURE 4

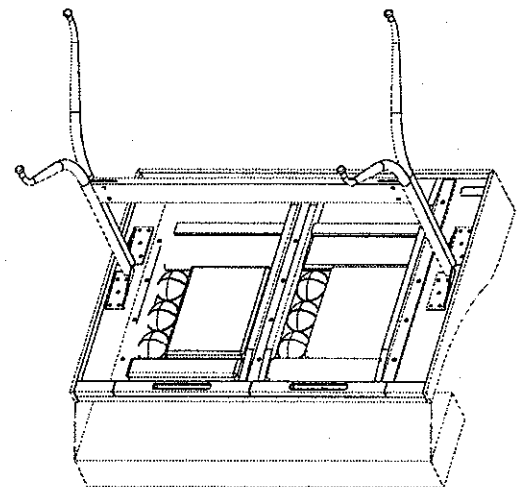


FIGURE 5

1B2WCY REV C



©2002 Herman Miller, Inc., Zeeland, Michigan Printed in U.S.A.
 Action Office, Aeron, Ambl, Arrio, Belrise Collection, Coper, Co/Struc, Custom Choices, Eames, Equo, Ergo 2, Ergon, Ergon 2, Ergon 3, Ethospace, E-Wall, Hollingloh, Kiva, Laison, Meridian, Newtouse Group, Passage, Peltile, Phoenix, Proper, Radlon, Reaction, Relay, Resolve, Scooter, SQA, Super Room, Systems Bridge, and V-Wall are among the registered trademarks of Herman Miller, Inc.
 Burdick Group, Chadwick, Flex-Edge, Florence, D, Levity, Milofin, Potomac, Prospects, Q, Raleigh, and Traverse are among the trademarks of Herman Miller, Inc.
 Illustrations and specifications are based on the latest product information available at the time of publication. The right is reserved to make changes in design and specifications of any firm, without notice, and also to discontinue products.