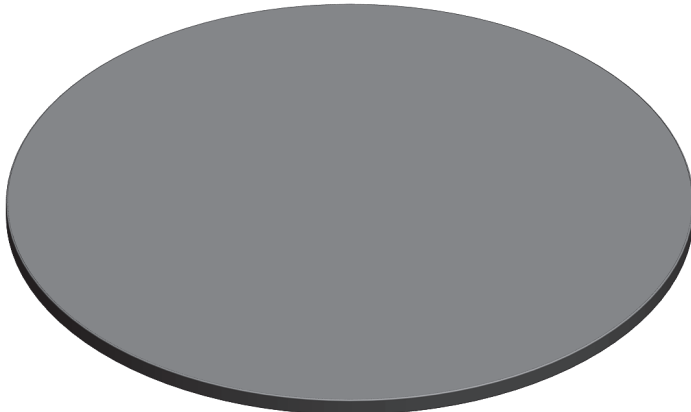




### Parts Included:



**A** Table Top



**B** Base Assembly



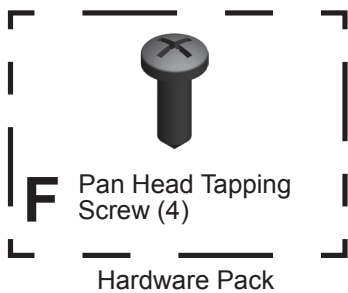
**C** Spider



**D** Column



**E** Draw Rod



**F** Pan Head Tapping Screw (4)

Hardware Pack

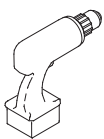


**G** Anti-Rotation Cap



**H** Lock Washer

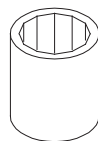
### Tools Required:



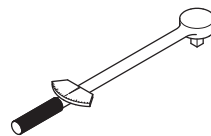
Power Driver



#2 Phillips Bit



7/8" Hex Socket



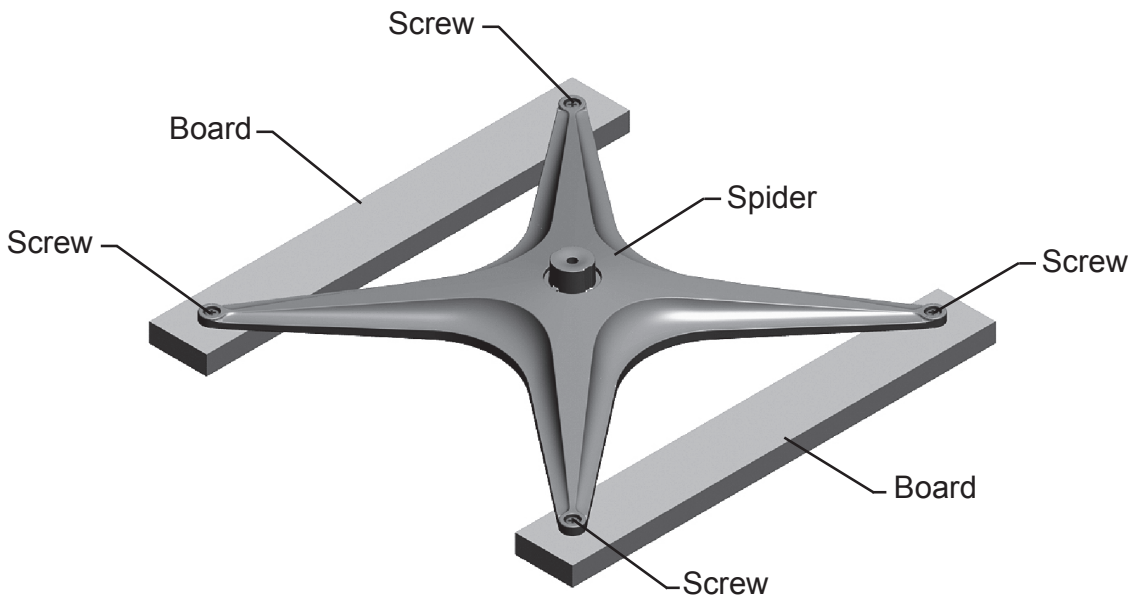
Torque Wrench

**HermanMiller**

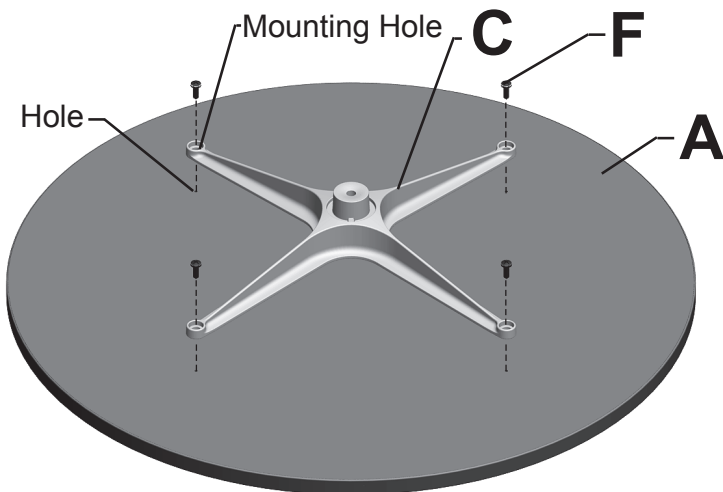
Part no. 1b9rtx rev C.

© 2013 Herman Miller, Inc. Zeeland, Michigan. Printed in the U.S.A.  
© **HermanMiller**, Action Office, and Mirra 2 are among the registered trademarks of Herman Miller, Inc.  
™ Sense, Setu, Be Collection and Sayl are among the trademarks of Herman Miller, Inc.

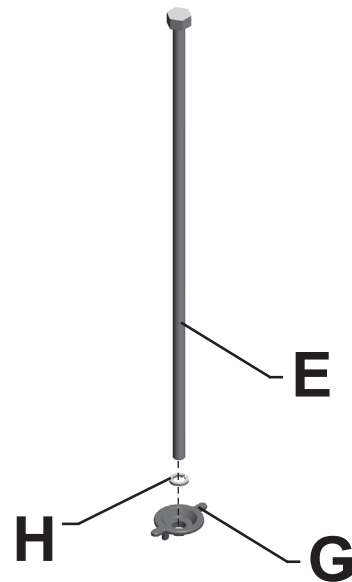
Illustrations and specifications are based on the latest product information available at the time of publication.  
The right is reserved to make changes in design and specifications at any time, without notice, and also to discontinue products.



**Notice:** If Spider comes mounted to 2 boards, remove Screws and Boards. Dispose of properly. Do not use these screws to mount Spider to Table Top!



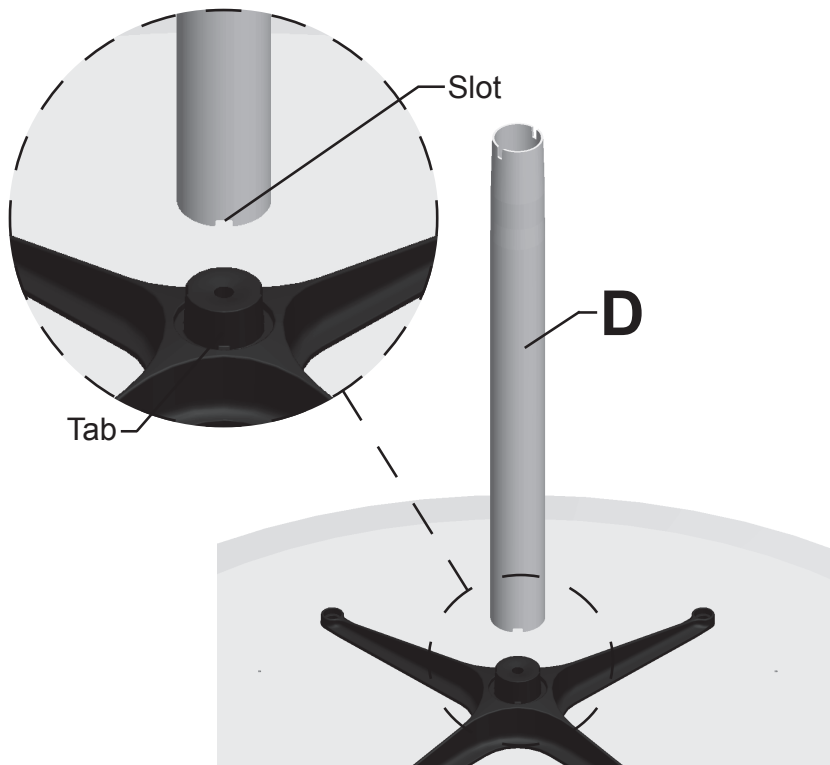
1. Align Mounting holes in Spider(C) with holes in Table Top(A).
2. Install 4 Pan Head Tapping Screws(F).



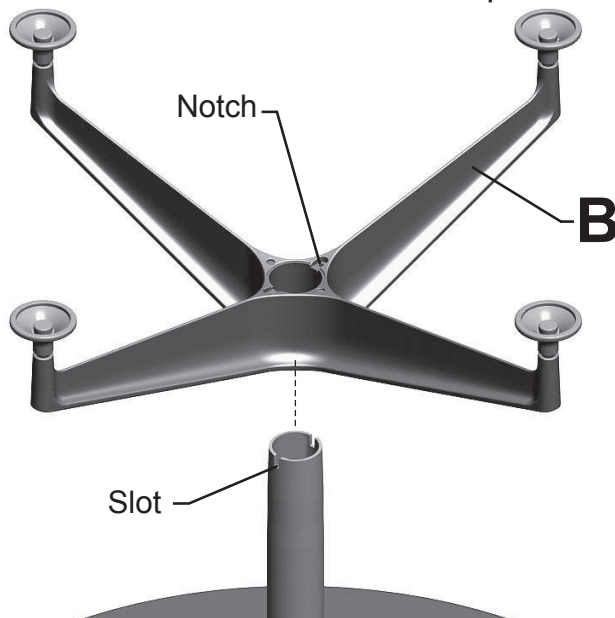
3. Lock Washer(H) and Anti-rotation Cap(G) from Draw Rod(E).

**HermanMiller**

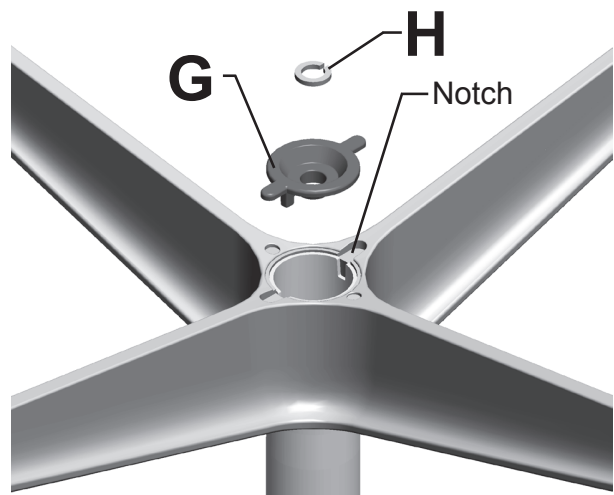
Part no. 1b9rtx rev C.



4. Position Column(D) onto Spider while aligning slot in Column with Tab on Spider.



5. Place Base(B) onto Column while aligning Slots in Column with Notches in Base.



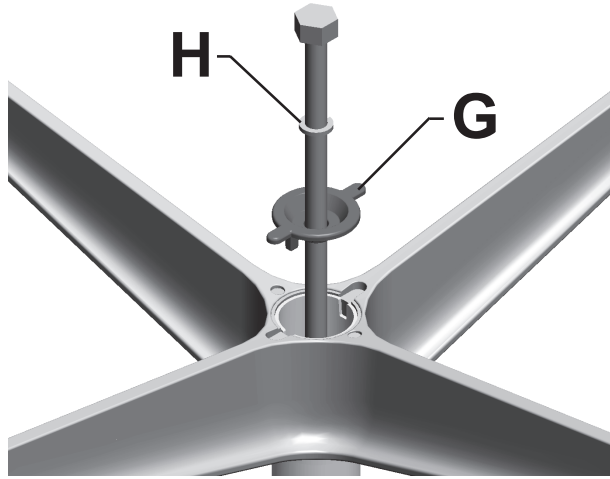
6. Align Anti-rotation Cap(G) with Notches in Base. Place into position on Base.

**HermanMiller**

Part no. 1b9rtx rev C.

© 2013 Herman Miller, Inc. Zeeland, Michigan. Printed in the U.S.A.  
 ® **HermanMiller**, Action Office, and Mirra 2 are among the registered trademarks of Herman Miller, Inc.  
 ™ Sense, Setu, Be Collection and Sayl are among the trademarks of Herman Miller, Inc.

Illustrations and specifications are based on the latest product information available at the time of publication.  
 The right is reserved to make changes in design and specifications at any time, without notice, and also to discontinue products.



7. Tighten Draw Rod to 450-550 in lbs  
(50-62 Nm).