

HermanMiller

The Collection

Nelson™ Table Installation Instructions



How to assemble your table.

For more information about our products and services or to see a list of dealers, please visit us at hermanmiller.com or call (800) 851 1196.

© 2017 Herman Miller, Inc., Zeeland, Michigan Printed in U.S.A. Part No. 1b2wcy - E.

TM Nelson are among the trademarks of Herman Miller, Inc.

Tools Required



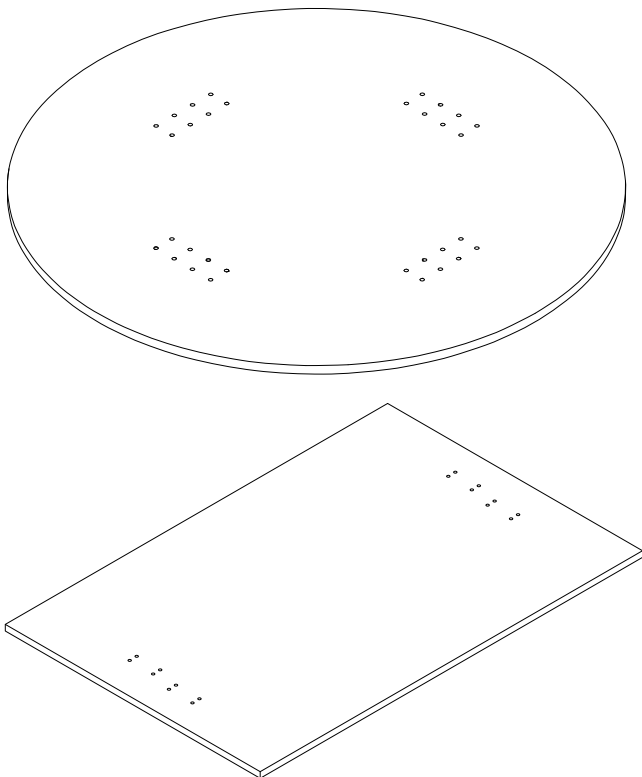
M5 Allen Wrench



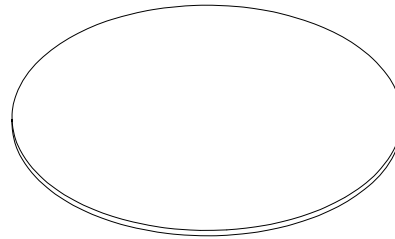
3/16" Allen Wrench

Step 1

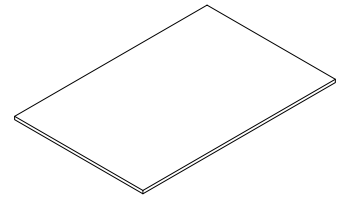
- 1.1 Lay table face down on padded clean surface.



Parts Included

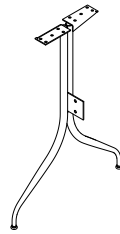


Round - Top Surface

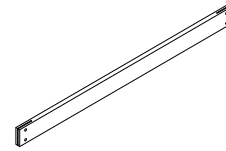


Rectangular - Top Surface

For Rectangular Table:



Leg (qty:2)



Stretcher

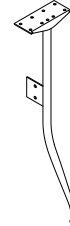


Joint Connector (qty:4)

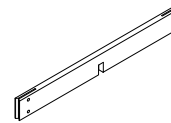


1/4-20 Screw (qty:32)

For Round Table:



Leg (qty:4)



Stretcher (qty:2)



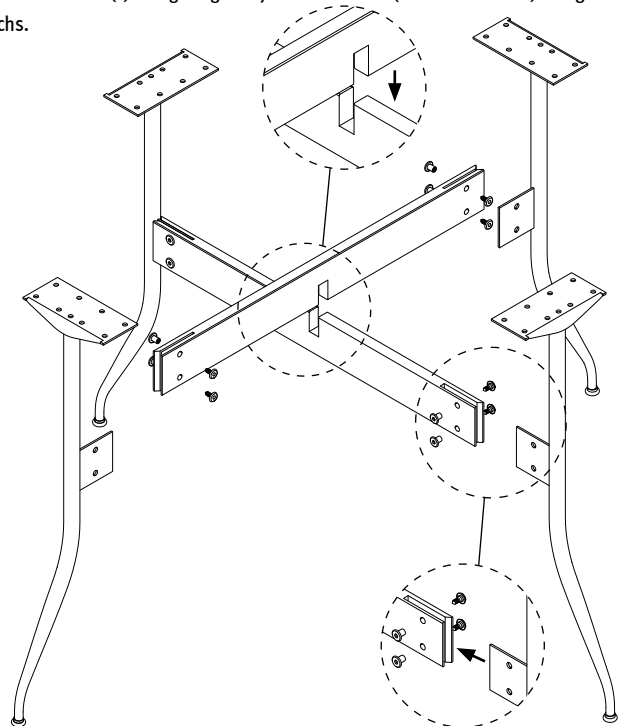
Joint Connector (qty:8)



1/4-20 Screw (qty:32)

Step 2 (For round surface)

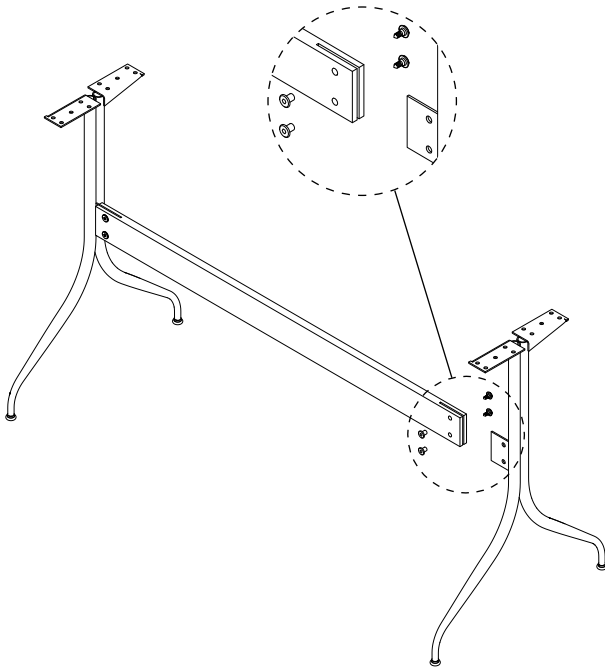
- 2.1 Remove blue plastic netting on legs, prior to affixing table base to leg. (Screw holes will not match up unless this is done first.)
- 2.2 Assemble stretcher(s) to legs. Tighten joint connectors (male and female) using two allen wrenches.



Step 2 (For rectangular surface)

2.1

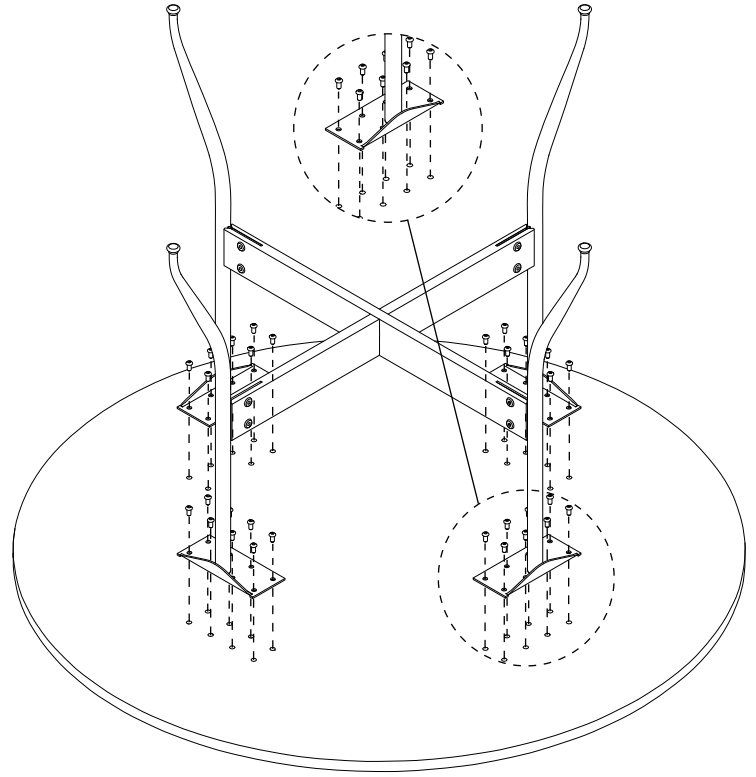
Assemble stretcher(s) to legs. Tighten joint connectors (male and female) using two allen wrenches.



Step 3 (For round surface)

3.1

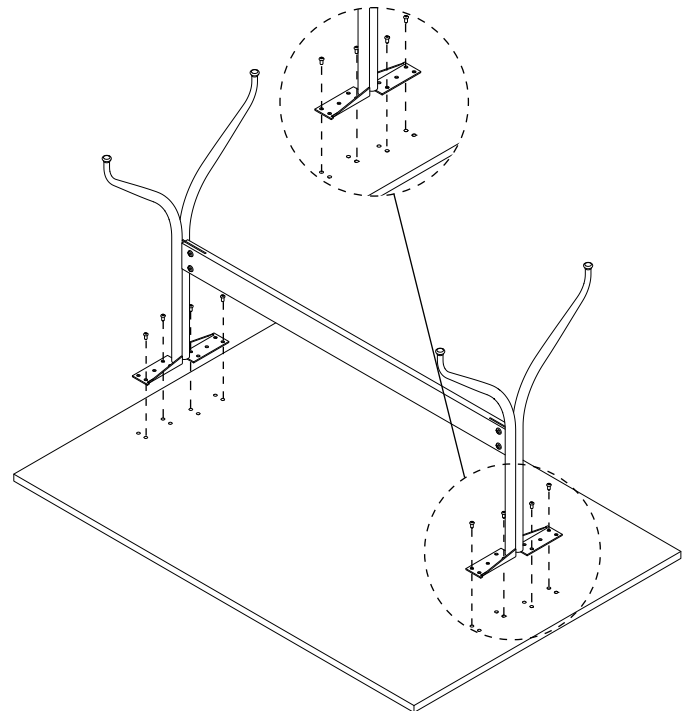
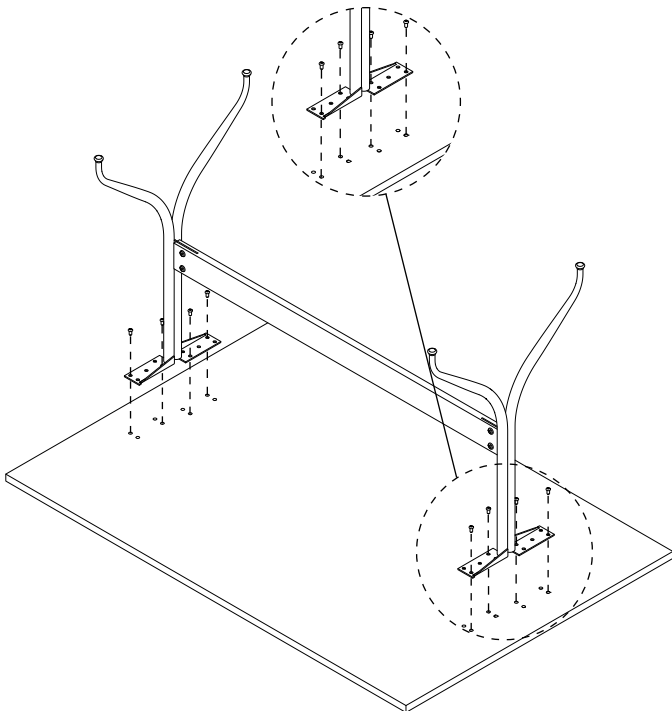
Align holes in legs with holes in table top.



Step 3 (For rectangular surface)

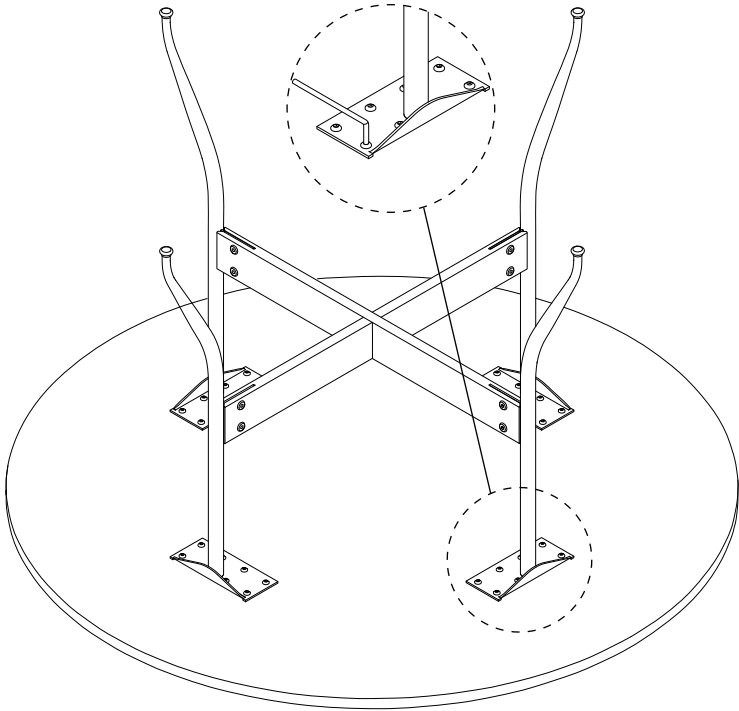
3.1

Align holes in legs with holes in table top as shown (alternating screw assembly).



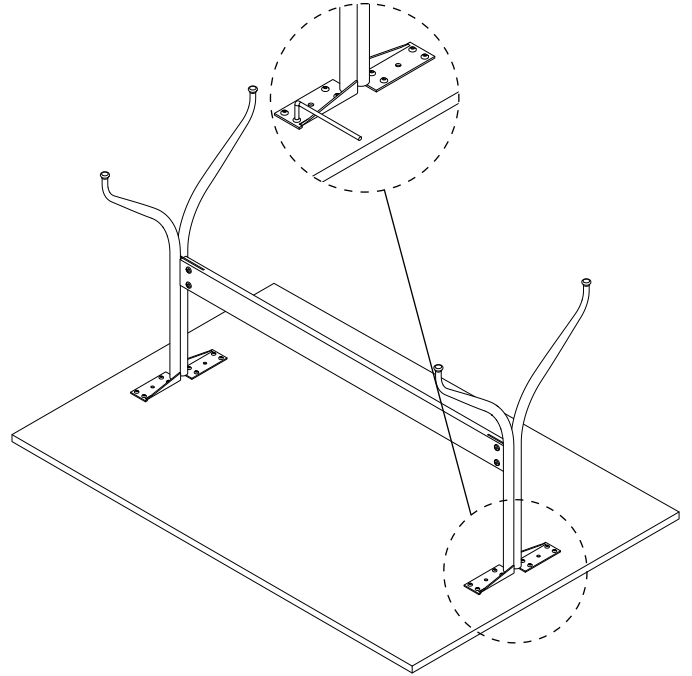
Step 4 (For round surface)

4.1
Tighten 1/4-20 screws using 3/16 allen wrench.



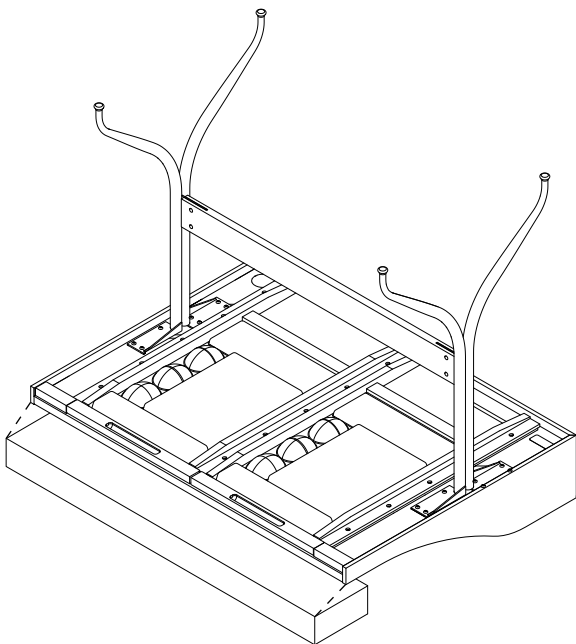
Step 4 (For rectangular surface)

4.1
Tighten 1/4-20 screws using 3/16 allen wrench.



Step 5

5.1
When assembling home desk use packaging filler to support the front edge of the desk to prevent damage.



Step 6

6.1
Rotate table back to upright position.

