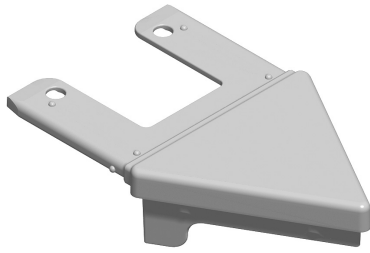


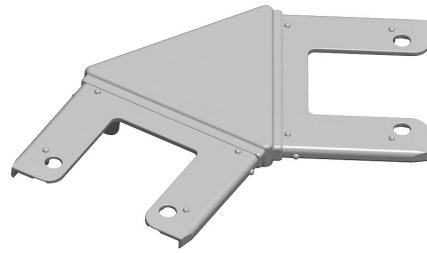


Canvas Office Landscape® 120° Connector Cover Top Caps Installation and Disassembly for Recycling Instructions

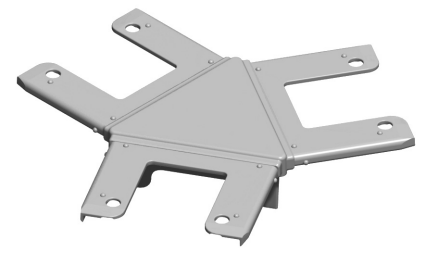
Parts Included:



Painted



Painted



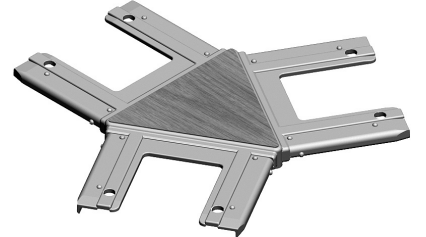
Painted



Veneer



Veneer



Veneer

A One Way 120° Connector
Top Cap Cover

B Two Way 120° Connector
Top Cap Cover

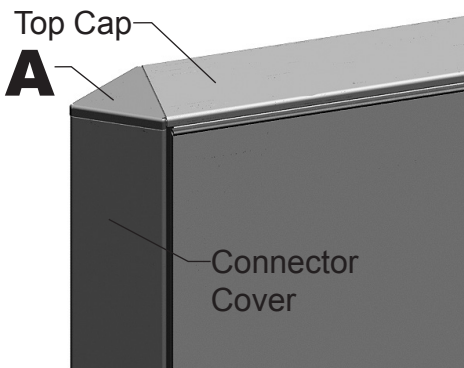
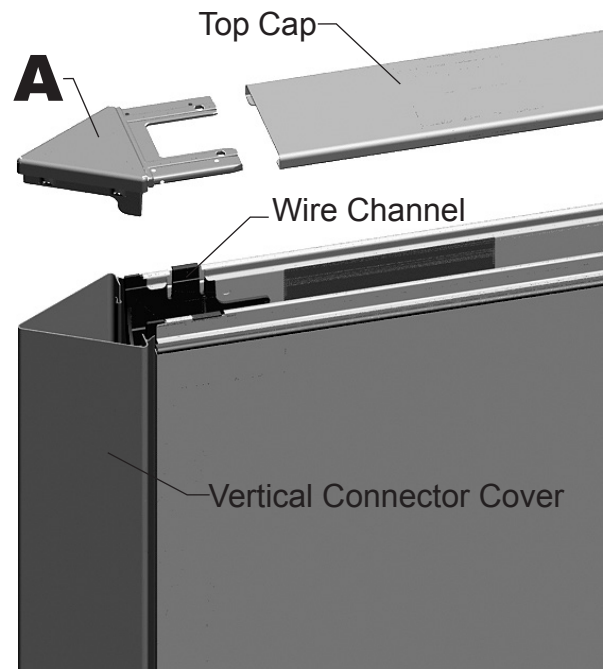
C Three Way 120° Connector
Top Cap Cover

Assembly Instructions:

Note: Painted version of products shown throughout instructions.

1 One Way 120° Top Cap Cover

1. Install Tiles and Vertical Connector Covers. (Shown without tiles for clarity)
2. Slide One Way Top Cap Cover (**A**) into Top Cap.
3. Snap Top Cap and Cover assembly onto Wire Channel and Connector Cover.



IMPORTANT: Save these instructions for layout changes.

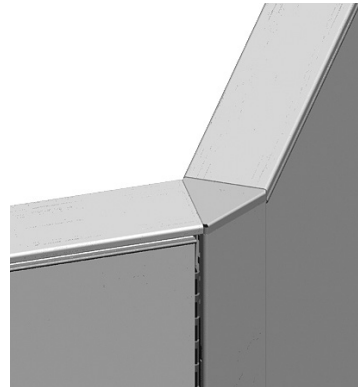
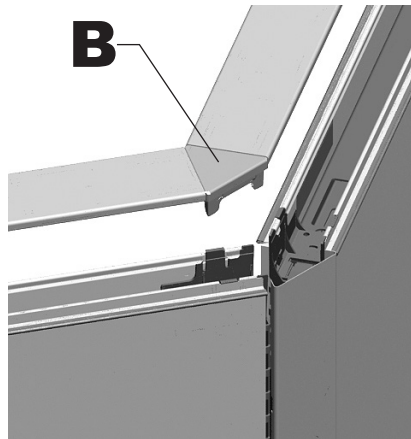
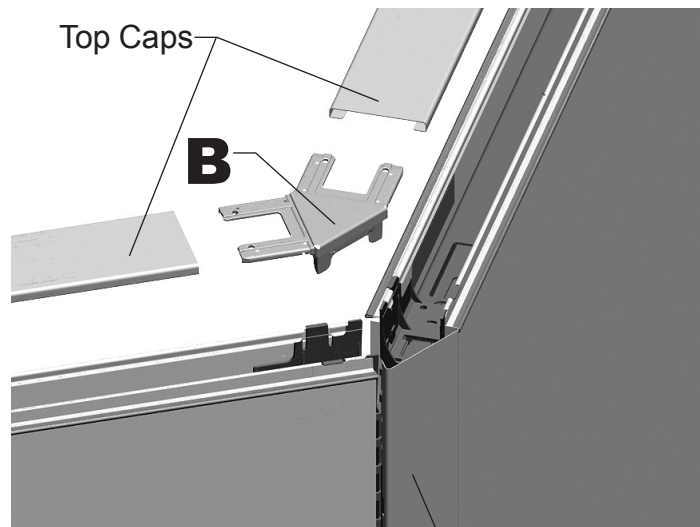
HermanMiller

Part no. 1b3cxs rev D.

2 Two Way & Three Way 120° Top Cap Cover

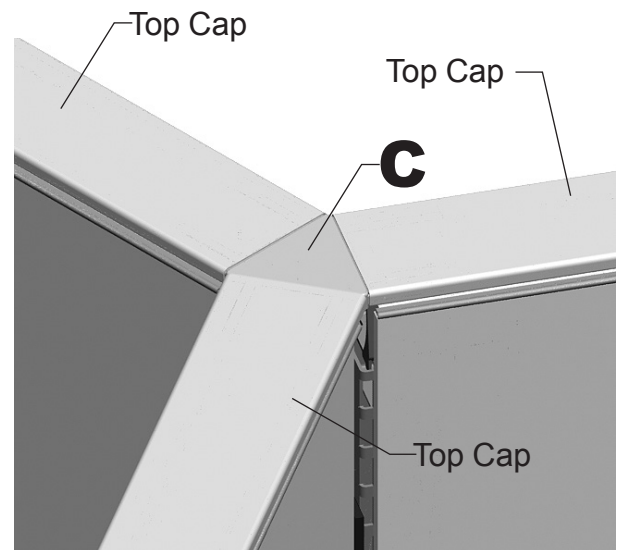
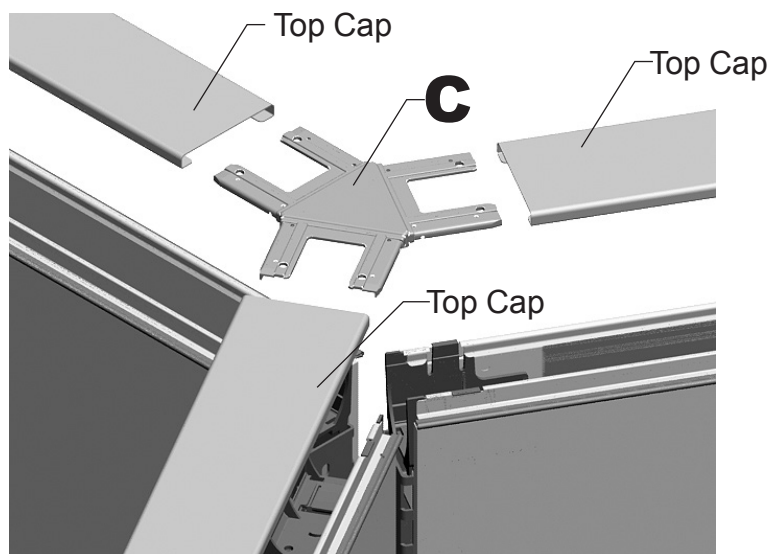
1. Install Tiles and Vertical Connector Covers.
(Shown without tiles for clarity)

2. Slide Top Caps onto Top Cap Covers (B) or (C).



Vertical Connector Cover

3. Snap Top Caps and Covers onto Wire Channels.



Disassembly for Recycling:

Materials Identification and Segregation:

Where possible, plastic components are marked with ASTM recycling codes. Use these codes to identify material type for recycling. Non marked components should be treated as mixed plastic. Ferrous metals can be identified using a small magnet for recycling. Non-ferrous metals should be separated and recycled separately.

To disassemble product, reverse the above installation steps.