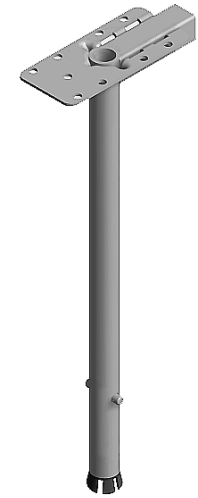


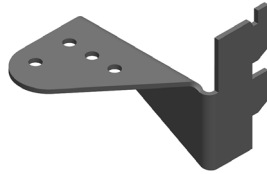


Canvas Office Landscape® Interiors Bookcase Surface Support Installation and Disassembly for Recycling Instructions

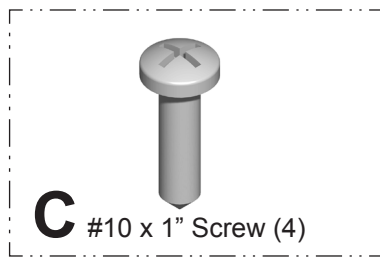
Parts Included:



A Post Support

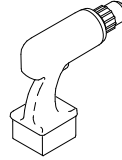


B Work Surface Bracket

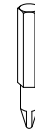


C #10 x 1" Screw (4)
Hardware Pack

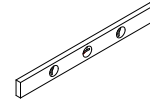
Tools Needed:



Power Driver



#2 Phillips Bit



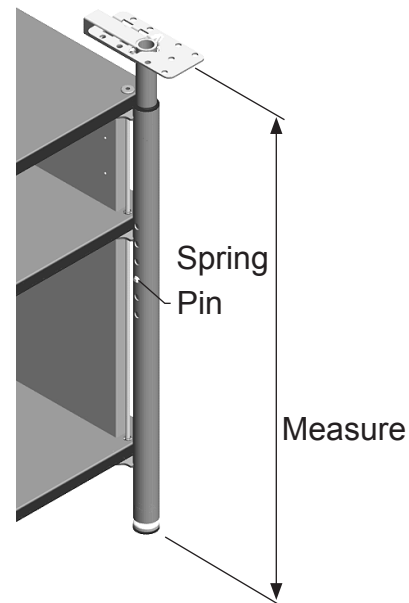
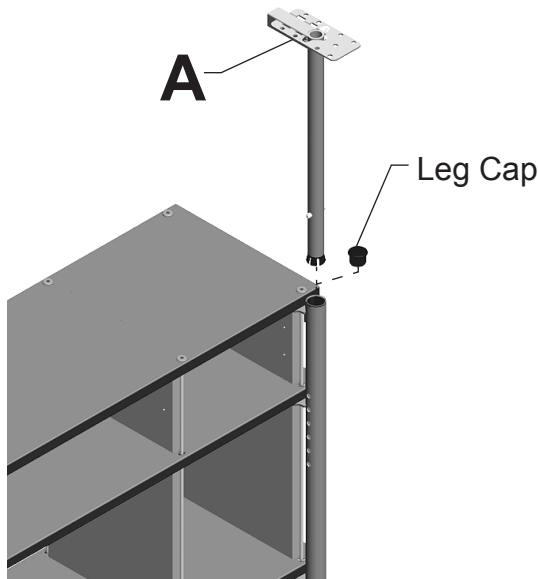
Level



Safety Glass

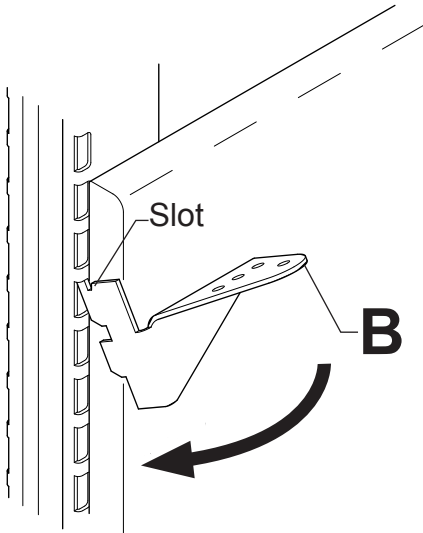
Assembly Instructions:

1



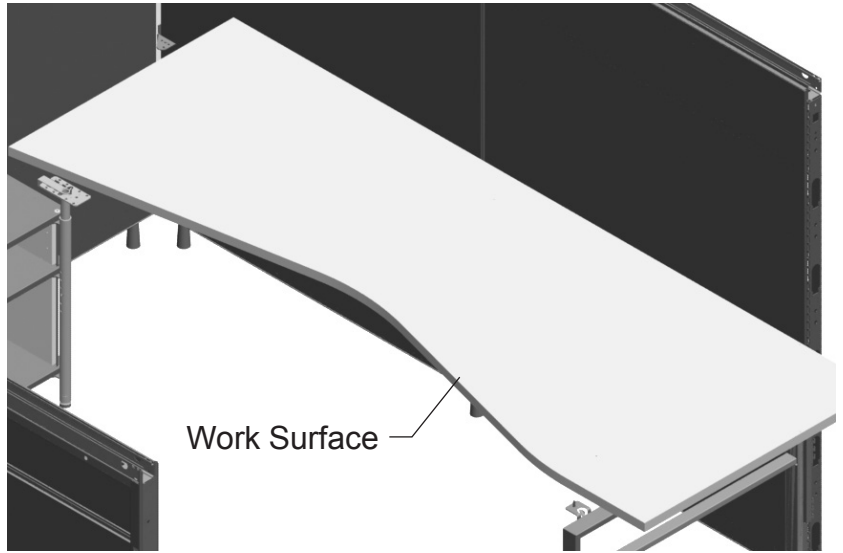
1. Remove Leg Cap from Bookcase Leg.
2. Insert Post Support into Bookcase Leg. Make sure Spring Pins engage.
3. Measure from floor to top edge of post surface for desired work surface height.

2



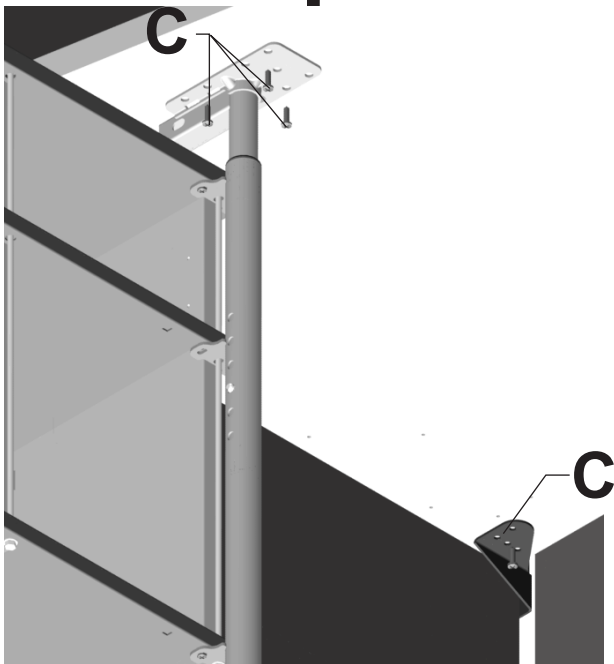
1. Engage Hook of Work Surface Bracket into frame slot. Rotate bottom of Bracket into Frame.

3



1. With all work surface brackets fully seated, lower Work Surface onto supports.

4



1. Align Work Surface holes with Support Bracket holes.
2. Install (3) 1" long screws at Bookcase leg location.
3. Install (1) 1" long screw at corner work surface location.
4. Attach all other supports.

Disassembly for Recycling:

Materials Identification and Segregation:

Where possible, plastic components are marked with ASTM recycling codes. Use these codes to identify material type for recycling. Non marked components should be treated as mixed plastic. Ferrous metals can be identified using a small magnet for recycling. Non-ferrous metals should be separated and recycled separately.

To disassemble product, reverse the above installation steps.