

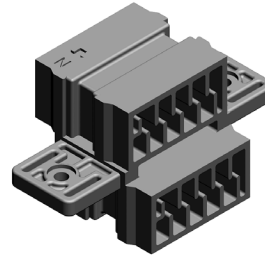


Locale™ Modular Electrical Installation and Disassembly for Recycling Instructions

Parts Included:



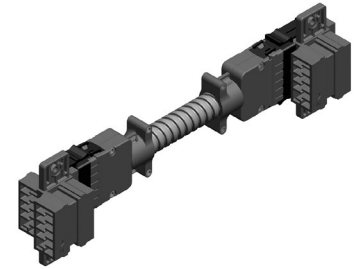
A BRE04.
Modular Power Duplex



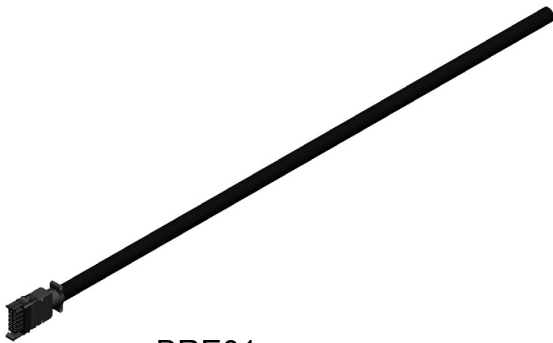
B BRE03.XX04
Power Block



D #10-12 x 1/2"
Phillips Pan
Head Tapping
Screw



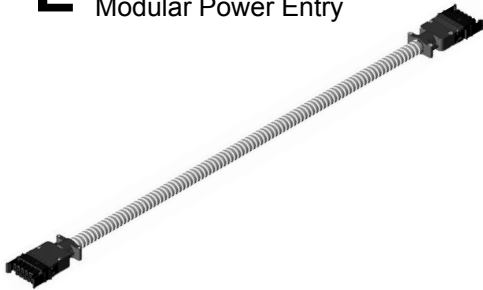
C BRE03.XX08
Power Block Harness



E BRE01.
Modular Power Entry



F BRE02.
Modular Power Entry,
New York



G BRE05.
Block-to-Block Jumper

NOTICE

All electrical connections to building electrical sources must be made by a qualified electrician according to national, state and local electrical codes.

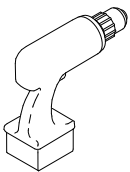
⚠ WARNING

Disconnect power before installation. Failure to do so can cause electrical shock and personal injury.

⚠ WARNING

Electrically interconnected units must be mechanically interconnected.

Tools Needed:



Power Driver



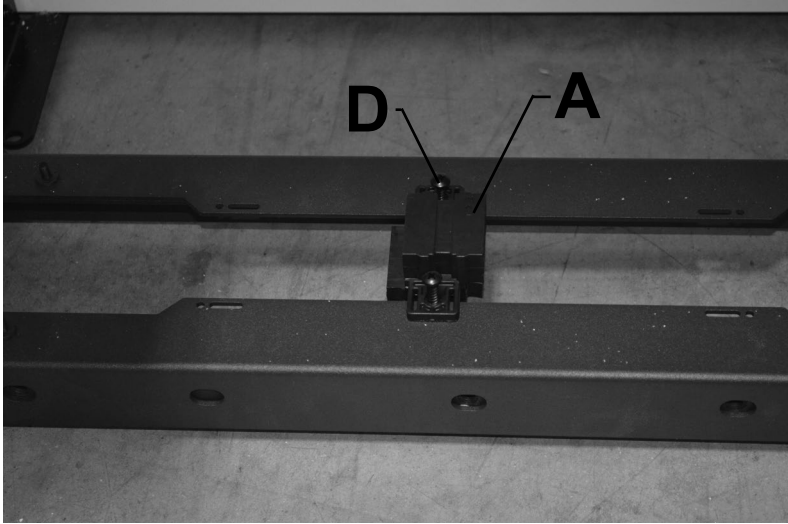
#2 Phillips Bit

HermanMiller

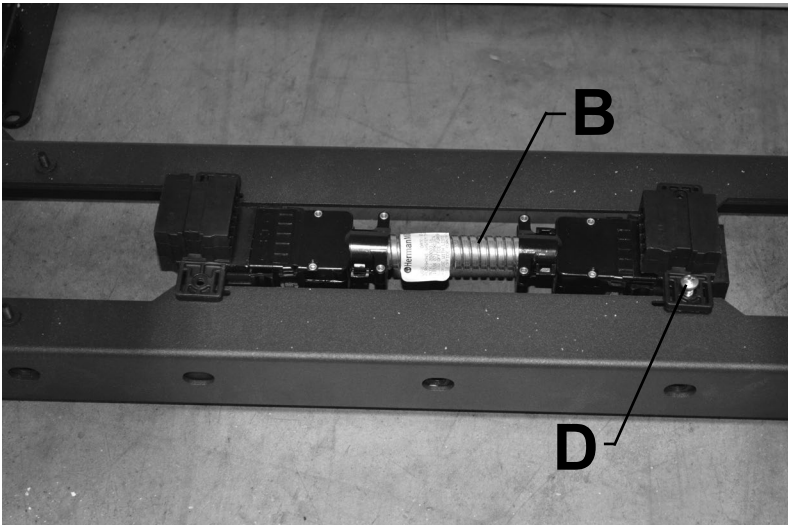
Part no. 1bc57y rev B.

© 2015 Herman Miller, Inc. Zeeland, Michigan. Printed in the U.S.A.
™ Locale is among the trademarks of Herman Miller, Inc.

Illustrations and specifications are based on the latest product information available at the time of publication.
The right is reserved to make changes in design and specifications at any time, without notice, and also to discontinue products.



1. Position Power Block (B) or Power Block Harness (C) onto Base Frame.
2. Secure to Frame with Pan Head Screws (D).



3. Locate mounting holes for mounting Modular Power Duplex (A).

HermanMiller

Part no. 1bc57y rev B.

© 2015 Herman Miller, Inc. Zeeland, Michigan. Printed in the U.S.A.
™ Locale is among the trademarks of Herman Miller, Inc.

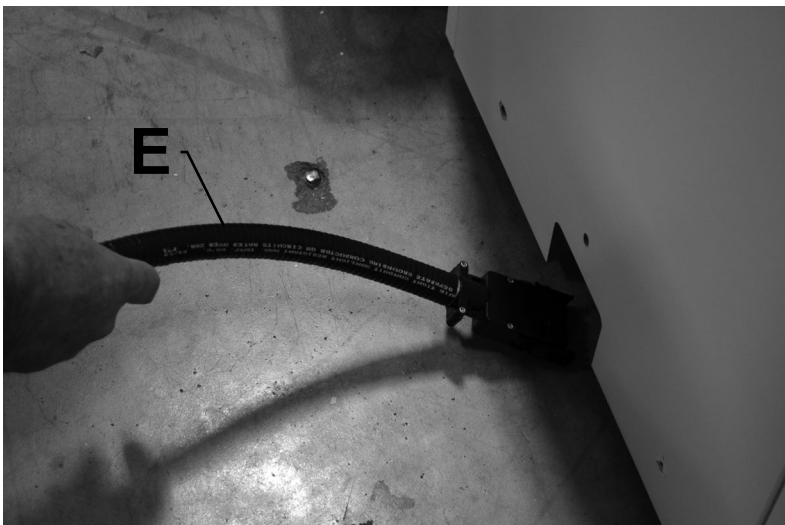
Illustrations and specifications are based on the latest product information available at the time of publication.
The right is reserved to make changes in design and specifications at any time, without notice, and also to discontinue products.



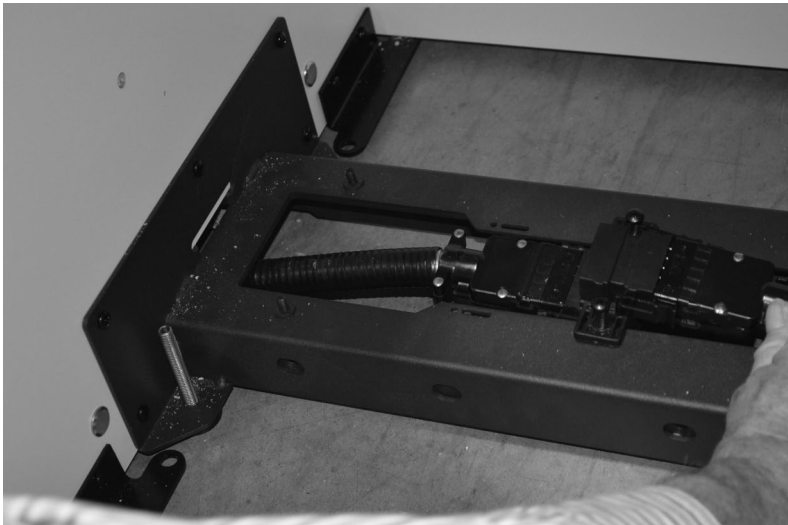
4. Secure Modular Power Duplex (A) to inside wall of Base with 4 Pan Head screws (D).



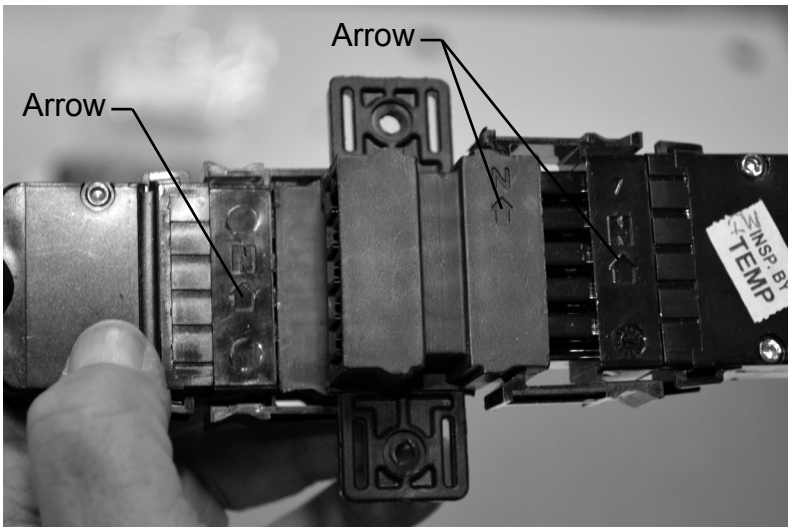
5. Insert end of Modular Power Duplex into Power Block. Make sure connection fully engages.



6. Feed End of Modular Power Entry (E) through opening in side of Base.
7. Remove bottom shelf to gain access to harness.

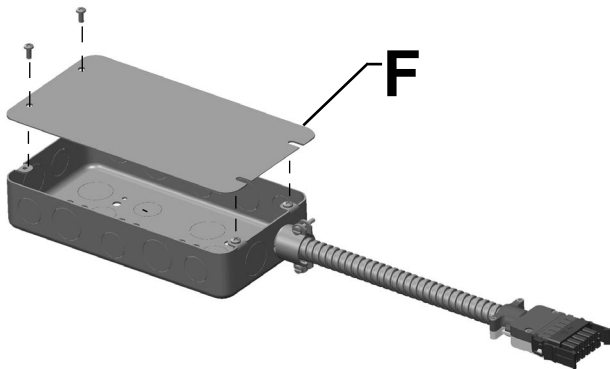


8. Run end of Power Block (B) through inner wall of Base.
9. Insert end of harness into Power Block. Make sure connection fully engages.

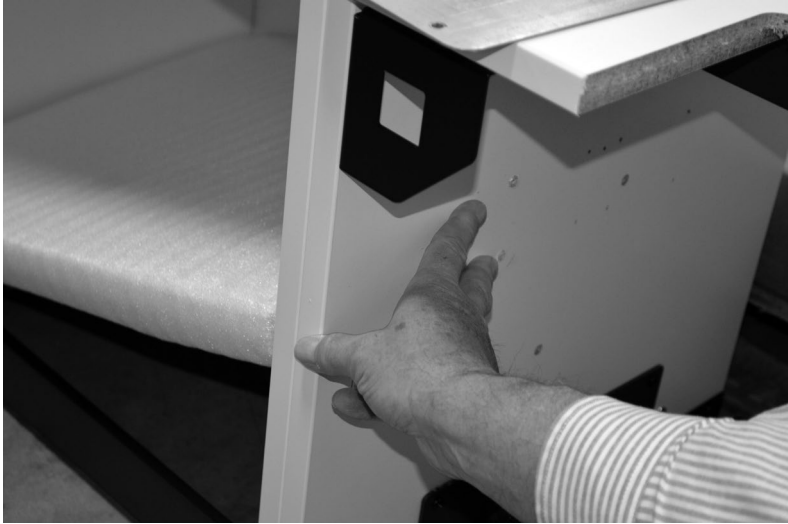


10. When making connections to Power Block, Make sure reference arrow point in same direction.

Modular Power Entry For New York City:



1. Remove Lid from Modular Power Entry (F).



2. Locate mounting holes for mounting Modular Power Entry (F).



3. Secure Modular Power Entry (F) to inside wall of Base with 2 screws supplied with product.

Supplied with Product



4. Insert end of Power Block into Block. Make sure connection fully engages.

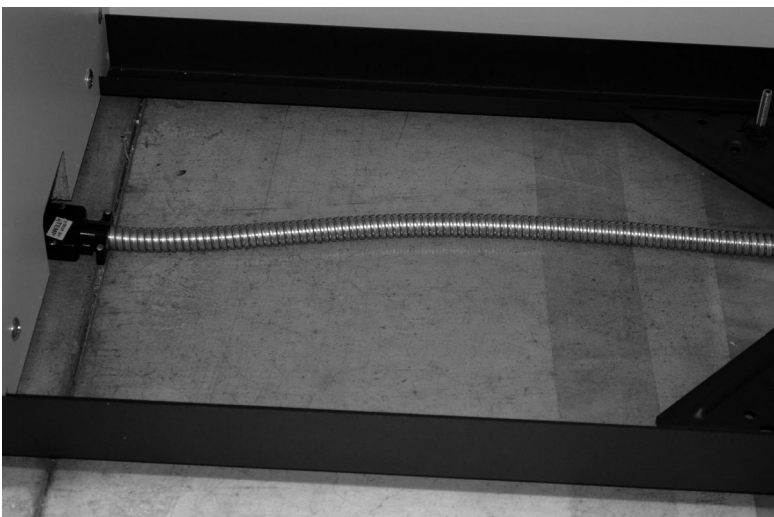


5. After hard wiring J-Box from an outside power source by a qualified electrician, return cover to J-Box.

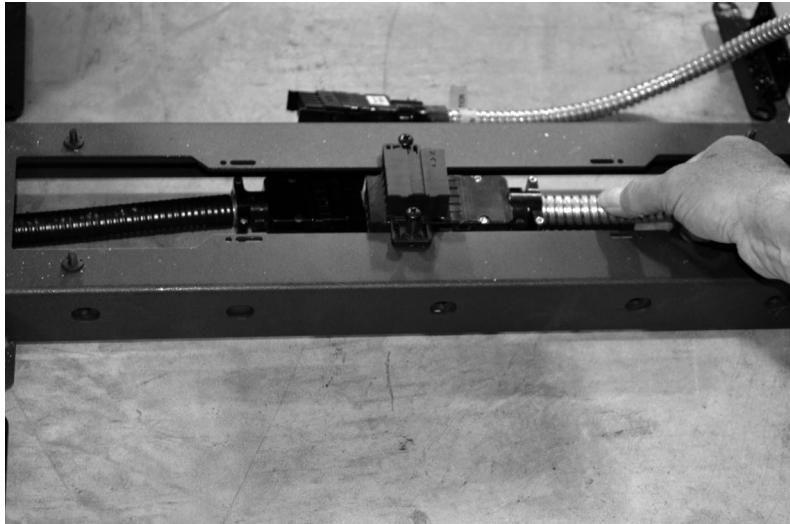
Block-to-Block Jumper:



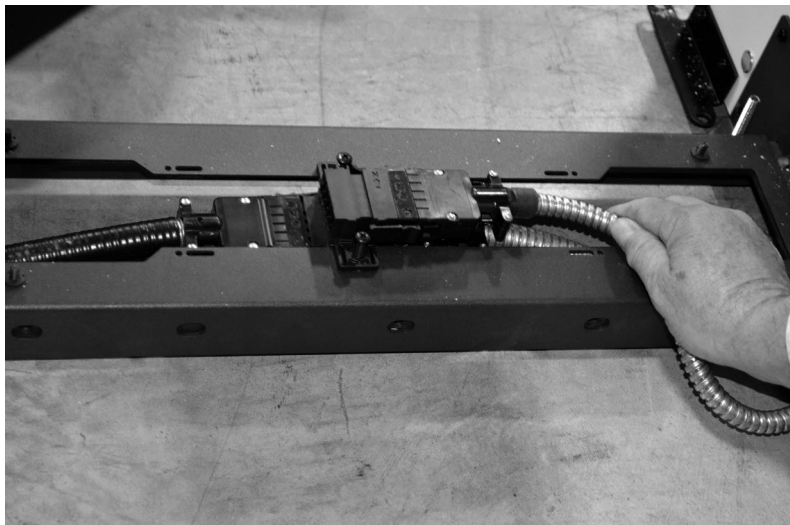
1. Insert Block-to-Block Jumper (G) through opening in side of Base.



2. Remove Bottom Shelf. Feed Jumper through inner wall of base.



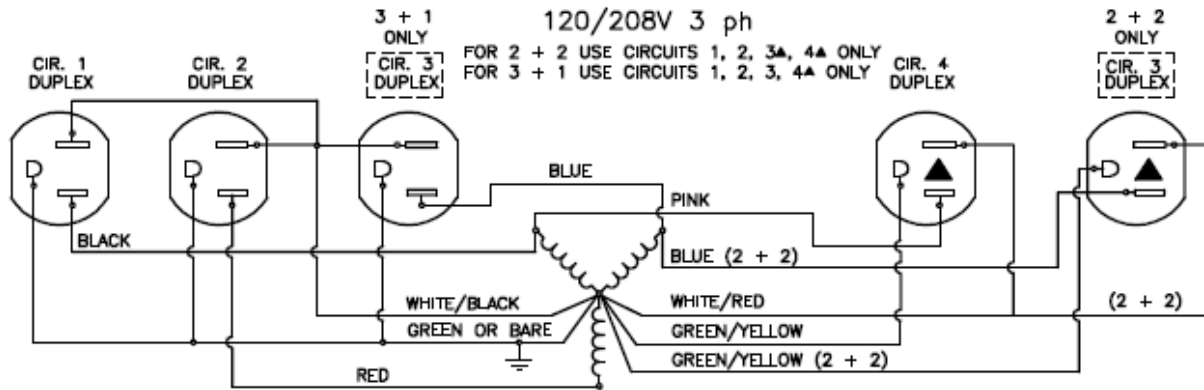
3. Insert end of Jumper into Bottom Port of Power Block. Make sure connection fully engages.



4. Connect Modular Power Duplex to Power Block.

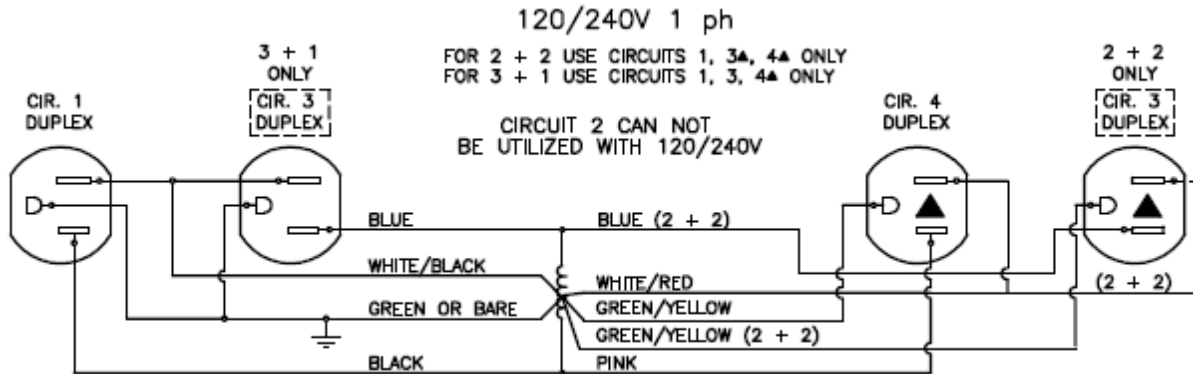
8 WIRE POWER BLOCK WIRING DIAGRAMS 4-2-2

4 HOTS, 2 NEUTRALS, 2 GROUNDS



NOTE: CIRCUITS 1,2,3,4 CORRESPOND TO CIRCUITS (DUPLEX RECEPTACLES) A, B, C, D

ALLOWABLE CIRCUIT COMBINATIONS: 1,2,3,4 Δ ; 1,2,3 Δ ,4 Δ ; 1, 2 Δ ,3 Δ ,4 Δ



NOTE: CIRCUITS 1, 3, 4 CORRESPOND TO CIRCUITS (DUPLEX RECEPTACLES) A, C, D

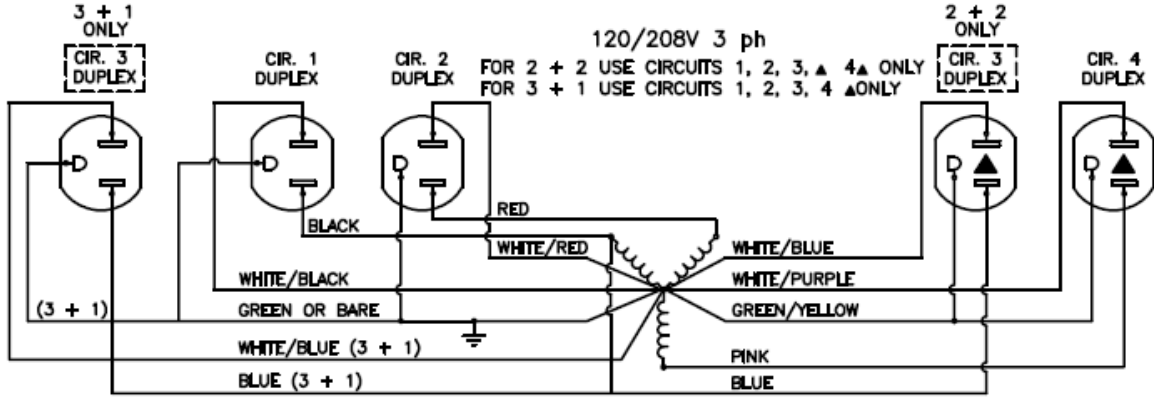
ALLOWABLE CIRCUIT COMBINATIONS: CIRCUITS 1, 3, 4 Δ ; 1, 4, 3 Δ ; OR 1, 3, 4

WARNING: RISK OF FIRE OR ELECTRIC SHOCK: THIS OFFICE FURNISHING SYSTEM MAY BE CONNECTED TO MORE THAN ONE SOURCE OF SUPPLY. ALL SOURCES MUST BE DISCONNECTED PRIOR TO ANY SERVICING. NO SINGLE CIRCUIT MAY BE POWERED BY MORE THAN ONE SOURCE.

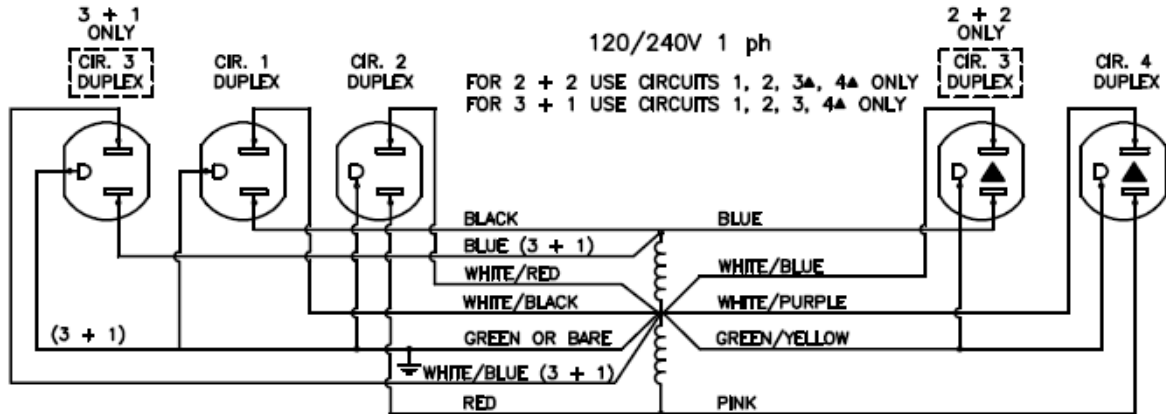
AVERTISSEMENT: CE SYSTEME PEUT ETRE RACCORDE A PLUS D'UNE SOURCE D'ALIMENTATION. TOUTES LES SOURCES D'ALIMENTATION DOIVENT ETRE COUPEES AVANT LE DE'PANNAGE.

10 WIRE POWER BLOCK WIRING DIAGRAMS 4-4-2

4 HOTS, 4 NEUTRALS, 2 GROUNDS



ALLOWABLE CIRCUIT COMBINATIONS: 1,2,3,4 ; 1,2,3 Δ ,4 Δ ; 1, 2 Δ ,3 Δ ,4 Δ ; 1,2,3,4,1 Δ ,2 Δ ,3 Δ ,4 Δ



ALLOWABLE CIRCUIT COMBINATIONS: CIRCUITS 1,2, 3, 4 Δ ; 1, 2, 3,4 Δ ; OR 1, 2, 3 Δ ,4 Δ

WARNING: RISK OF FIRE OR ELECTRIC SHOCK: THIS OFFICE FURNISHING SYSTEM MAY BE CONNECTED TO MORE THAN ONE SOURCE OF SUPPLY. ALL SOURCES MUST BE DISCONNECTED PRIOR TO ANY SERVICING. NO SINGLE CIRCUIT MAY BE POWERED BY MORE THAN ONE SOURCE.

AVERTISSEMENT: CE SYSTEME PEUT ETRE RACCORDE A PLUS D'UNE SOURCE D'ALIMENTATION. TOUTES LES SOURCES D'ALIMENTATION DOIVENT ETRE COUPEES AVANT LE DE'PANNAGE.

Disassembly and Recycling:

Materials Identification and Segregation:

Where possible, plastic components are marked with ASTM recycling codes. Use these codes to identify material type for recycling. Non-marked components should be treated as mixed plastic. Ferrous metals can be identified using a small magnet for recycling. Non-ferrous metals should be separated and recycled separately.

To disassemble product, reverse the above installation steps.