

# HermanMiller

## The Collection

### Distil Table (TB100) Installation Instructions



For more information about our products and services or to see a list of dealers, please visit us at [www.hermanmiller.com/product-instructions](http://www.hermanmiller.com/product-instructions) or call 888 - 443 - 4357.

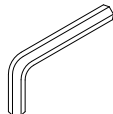
© 2015 Herman Miller, Inc., Zeeland, Michigan Printed in U.S.A. Part No. 1BDXJG - C.

## How to assemble your table.

### Safety Instructions & Warning

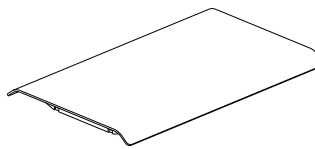
- Read all instructions before using products
- Failure to fully tighten screws may cause injury
- Sitting or standing on product may cause risk or personal injury
- Periodically check fasteners to ensure tightness
- The right is reserved to make changes at any time without notice

### Tools Required



4mm Allen Wrench

### Parts Included



DeskTop Qty 1



Leg (LH) Qty 2



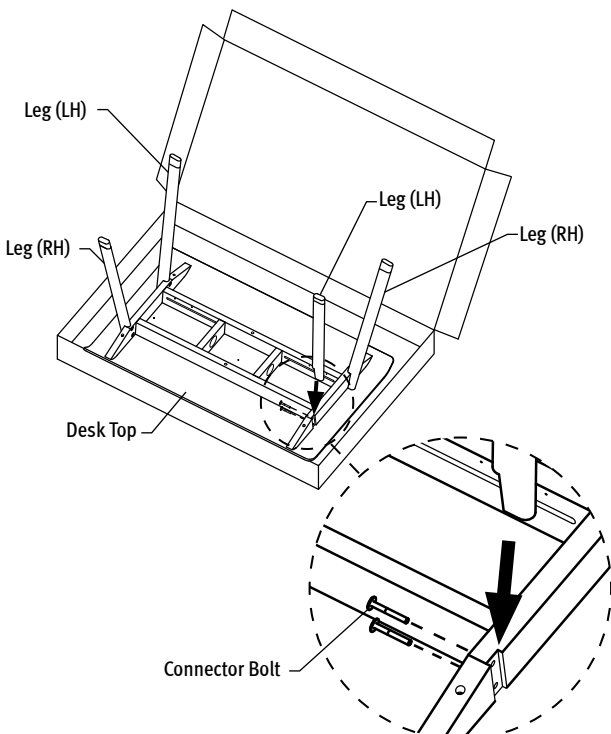
Leg (RH) Qty 2



Connector Bolt Qty 8

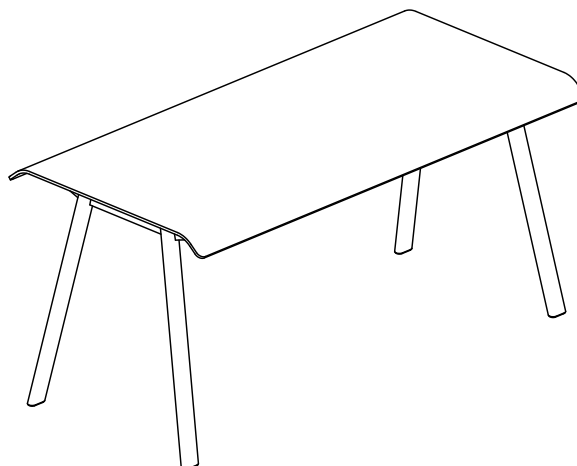
### Step 1

- 1.1**  
Locate the Desk Top upside down in the box for leg assembly.  
Using an allen wrench, Install the 4 legs. Place legs labeled 'A' in slots labeled 'A'.  
Place legs labeled 'B' in slots labeled 'B'.



### Step 2

- 2.1**  
Place the table in upright position.



# HermanMiller

## The Collection

### Distil Desk Storage Assembly Instructions

#### TB100



For more information about our products and services or to see a list of dealers, please visit us at [www.hermanmiller.com/product-instructions](http://www.hermanmiller.com/product-instructions) or call 888 - 443 - 4357.

© 2015 Herman Miller, Inc., Zeeland, Michigan Printed in U.S.A. Part No. 1BDXJG - C.

## How to assemble your table.

### Safety Instructions & Warning

- Read all instructions before using products
- Failure to fully tighten screws may cause injury
- Sitting or standing on product may cause risk or personal injury
- Periodically check fasteners to ensure tightness
- The right is reserved to make changes at any time without notice

### Tools Required



4mm Allen Wrench

### Parts Included

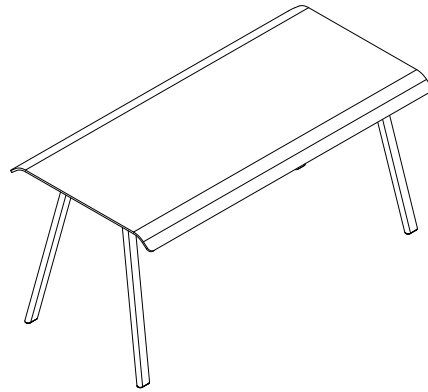
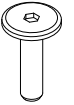
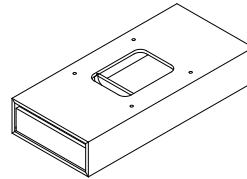


Table Qty 1



Connector Bolt Qty 4



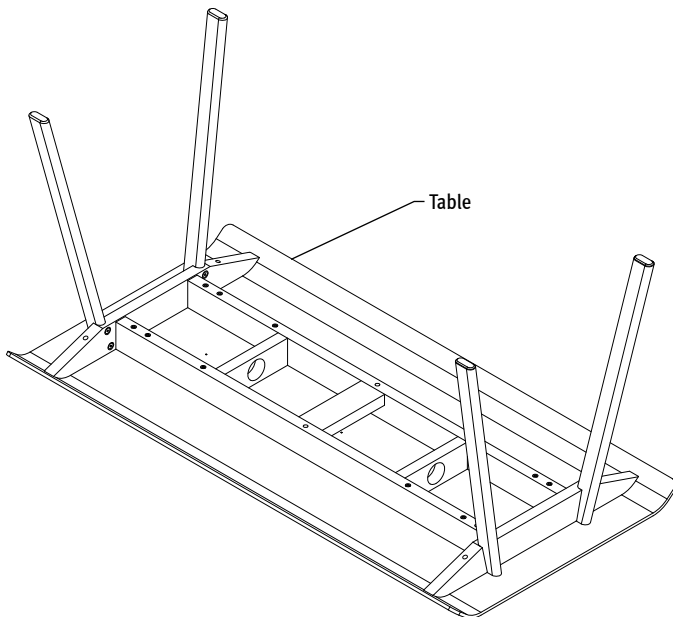
Storage Unit Qty 1



Pencil Tray  
(Horizontal Unit Only) Qty 1

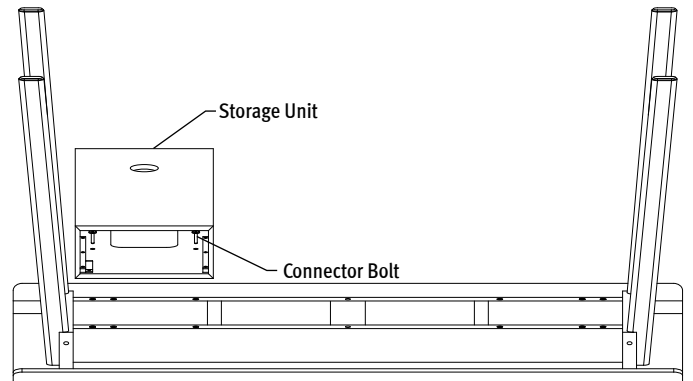
### Step 1

- 1.1 Place the table upside down in the position as shown.



### Step 2

- 2.1 Secure (Horizontal) storage unit to the table with connector bolt using 4mm allen wrench.



### Step 3

#### 3.1

The position of mount box for horizontal and vertical shown below.

