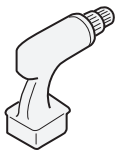


HermanMiller Nelson™ Bubble Sconce Lamp



How to assemble your lamp

Tools Required



Power Driver



Phillips Driver Bit



Phillips Screw Driver



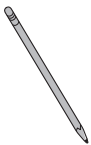
Pencil

Step 1

1.1 Carefully pull upward from the corner of the box to remove your lamp parts.

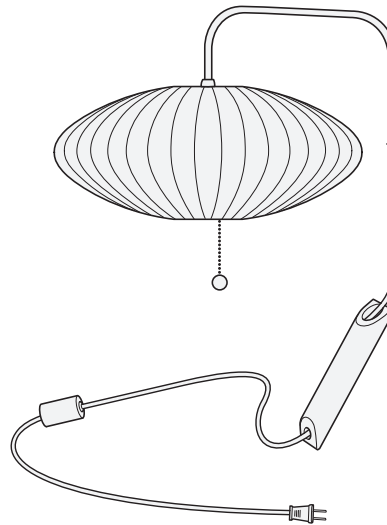
1.2 Leave each part wrapped until mounted in order to avoid scratching.

1.3 Designate an area where the lamp is to be hung. A wall stud is recommended. Use a stud finder for accuracy and strike a light pencil line using a small level to ensure wood block gets installed straight.



Parts Included

Lamp Shade, support tube and mounting block. Power cord with weight.



Please remove lamp from bag before using.

(2) 2" Flat Head Wood Screws

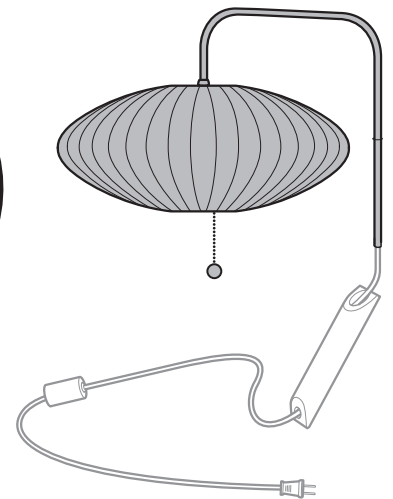


Important Safety Instructions

This lamp has a polarized plug, (one blade is wider than the other), as a feature to reduce the risk of electric shock. This plug will fit in a polarized plug outlet one way. If the plug does not fit fully in the outlet, reverse the plug. If it still does not fit, contact a qualified electrician. Never use with an extension cord unless plug can be fully inserted. Do not alter the plug.

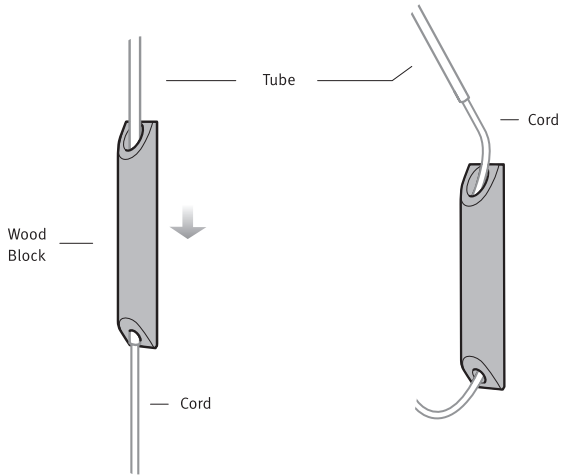
Step 2

Have someone hold the support tube and shade while you mount the block.



Step 3

Pull the wood piece down until it is off the tube and place it on the wall where you would like the shade to hang. Use drywall inserts if a stud is not available.



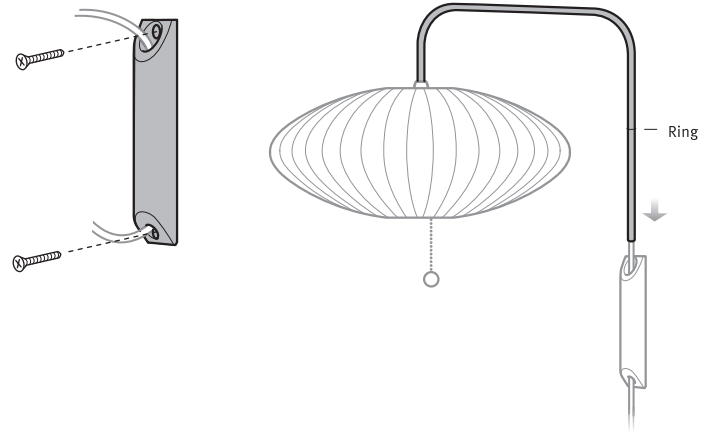
Step 4

4.1

Put the screws through the pre-drilled holes in the wood block. You will need to have an assistant help hold the cord off to the side so you have an obstruction-free entry into the holes.

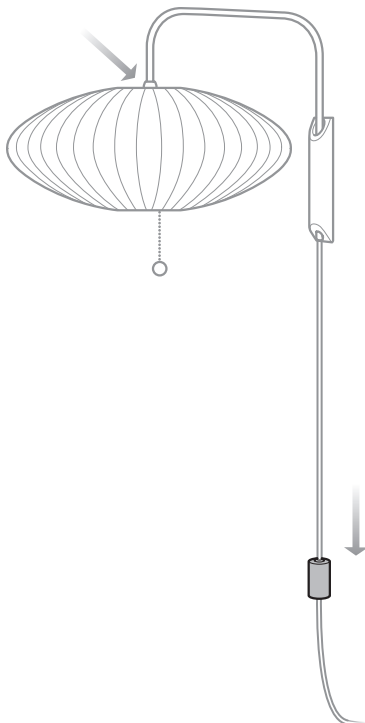
4.2

Slide the tube back into the wood block. It will stop at the thin ring attached to the tube.



Step 5

Pull cord from under wood block to retract lamp shade until top of shade is tight against metal hook.



Step 6

Plug power cord into an appropriate outlet and enjoy your Nelson Bubble Lamp.

