

HermanMiller

Prospect™ Internal and External Acoustic Pad Installation and Disassembly for Recycling Instructions

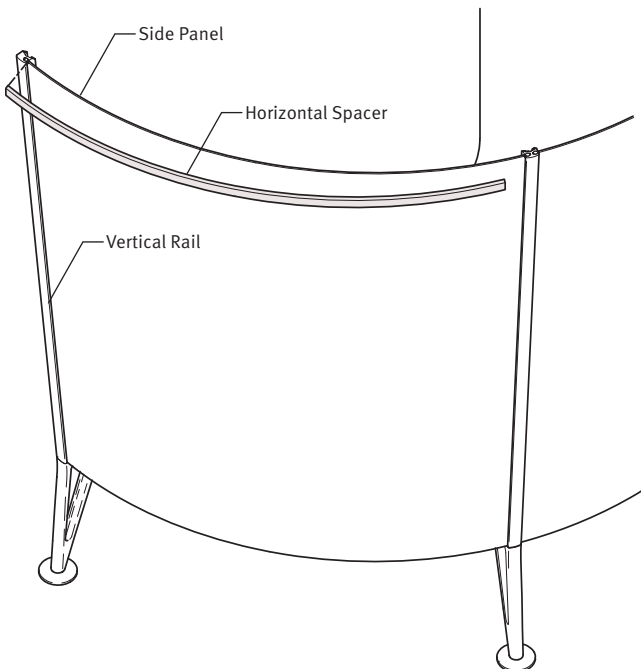


How to assemble your Prospect Internal and External Acoustic Pads.

Solo Space - Outside Pad:

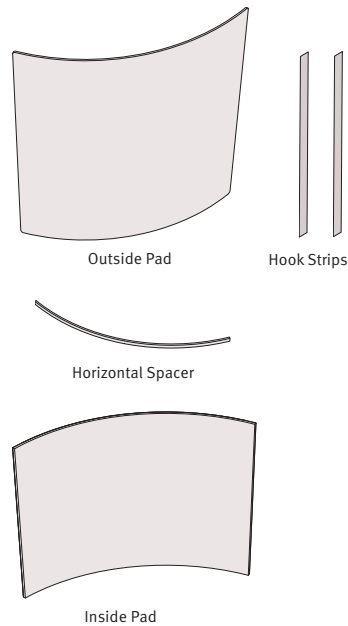
Step 1

- 2.1 Peel protective backing from Horizontal Spacer.
- 2.2 Align top edge of horizontal spacer with top edge of Side Panel. Start at outside edge of vertical rail, press onto side panel.

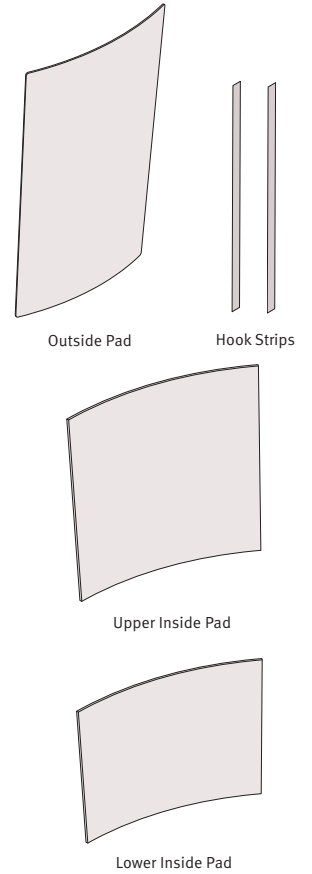


Parts Included

Solo Space

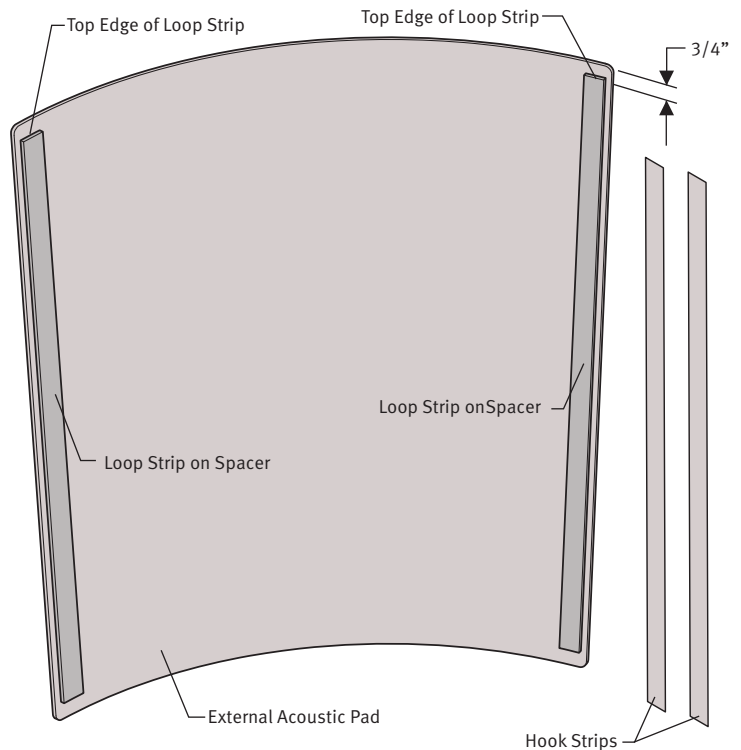


Creative/Media Space



Step 2

- 2.1 Hook Strips will be separate from Loop Strips on External Acoustical Pad.

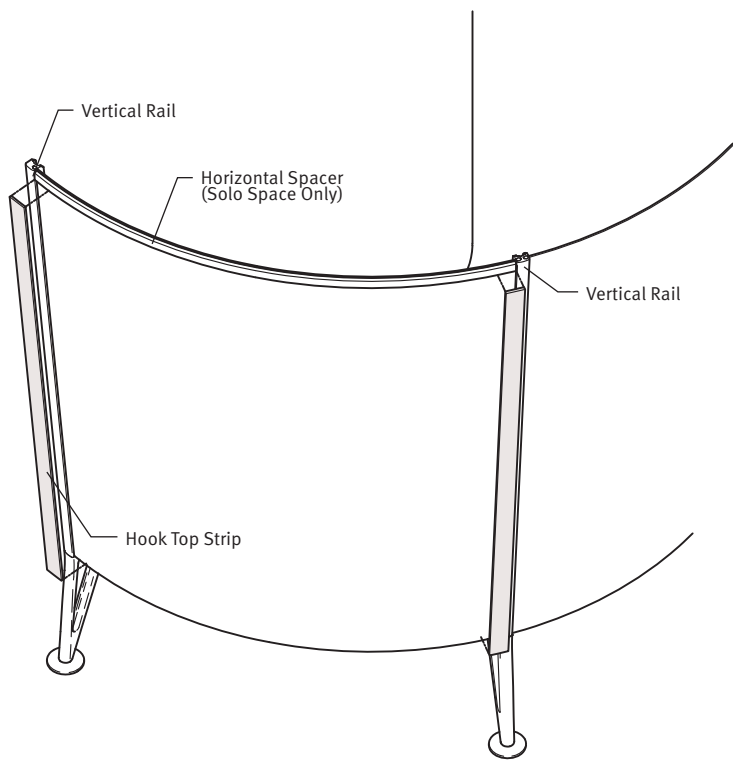


2.2 Peel protective film from Hook Strip.

2.3 Adhere to side panel with a 3mm gap between Vertical Rail and Hook Strip, Horizontal Spacer and Hook Strip.

2.4 Press Hook Strips firmly against side panel along entire length of both strips. This is critical for good adhesive bond to side panel.

2.5 Install all hook strips for all panels first, moving in a circular movement around unit. Once all hook strips are installed, begin installing pads. Start with first set of hook strips that were installed. Move in same direction as the hook strips were installed.



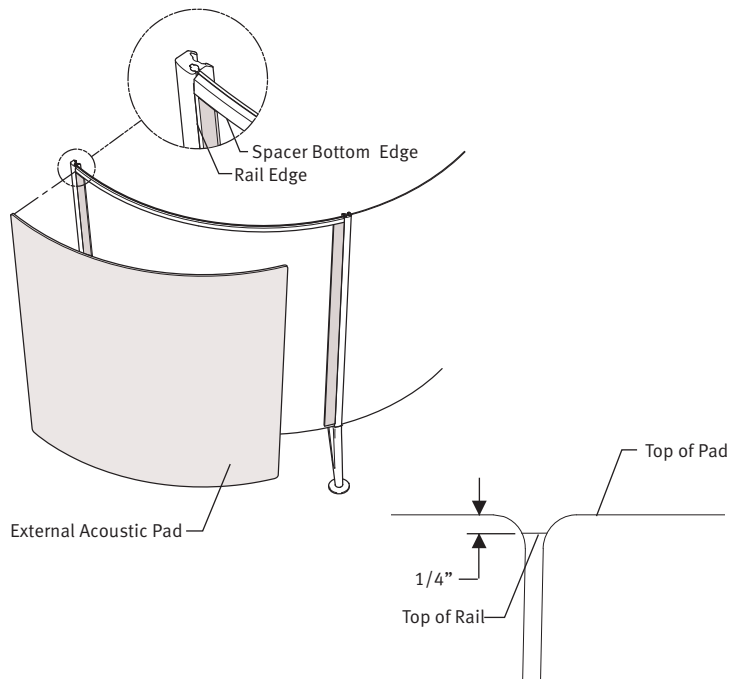
Step 3

3.1 Align corner of External Acoustic Pad by mating top edge of Loop Strip on back of pad with bottom edge of horizontal spacer on side panel. Mate Loop strip side edge with vertical rail edge.

3.2 Hold pad against rail. Align Hook Strip on pad with Loop Strip on side panel. Press pad onto side panel.

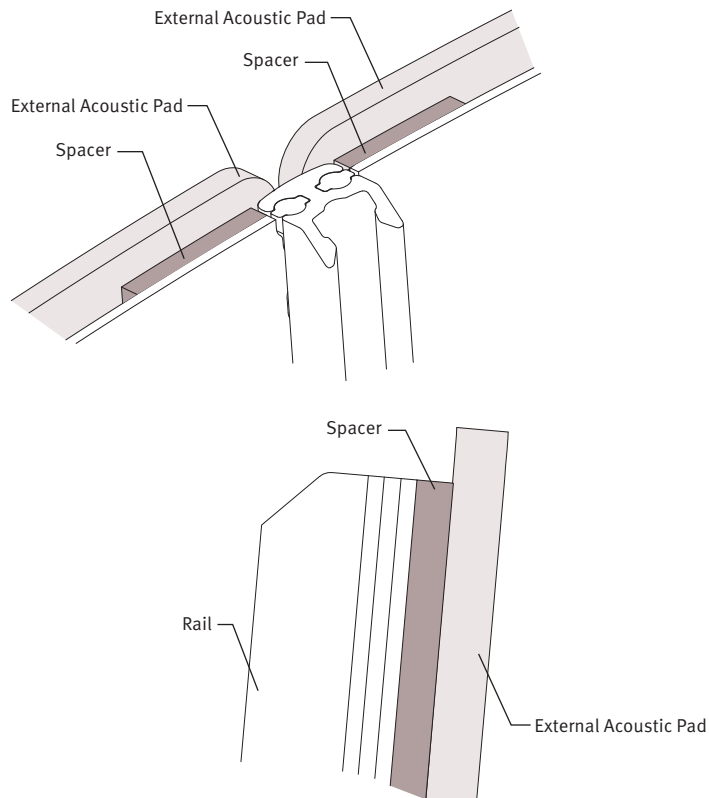
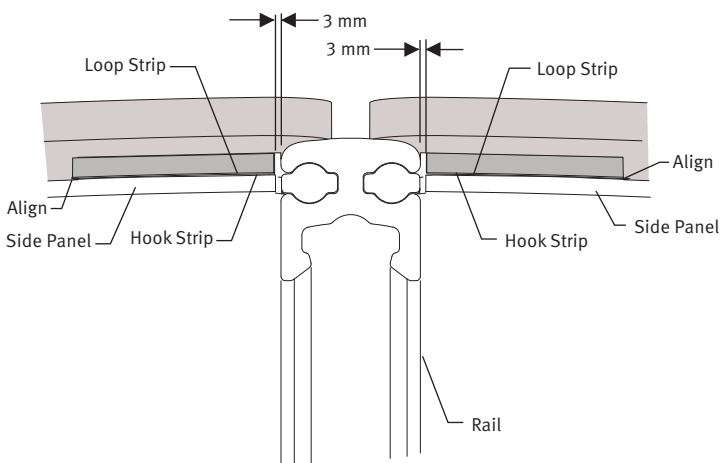
3.3 Repeat for other side of pad. Note: top edge of pad should be 1/4" above top edge of side panel.

3.4 Press firmly from top to bottom over pad side edges to make sure hook and loop strips are fully engaged and to provide extra pressure to hook strip adhesive.



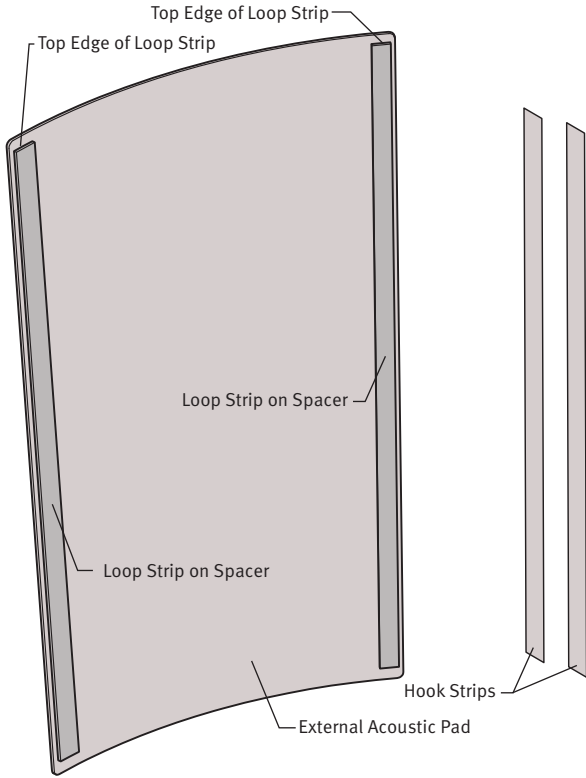
Step 4

4.1 If installing multiple External Acoustic Pads, adjust position of pad edges to achieve even gap from top to bottom between each pad.



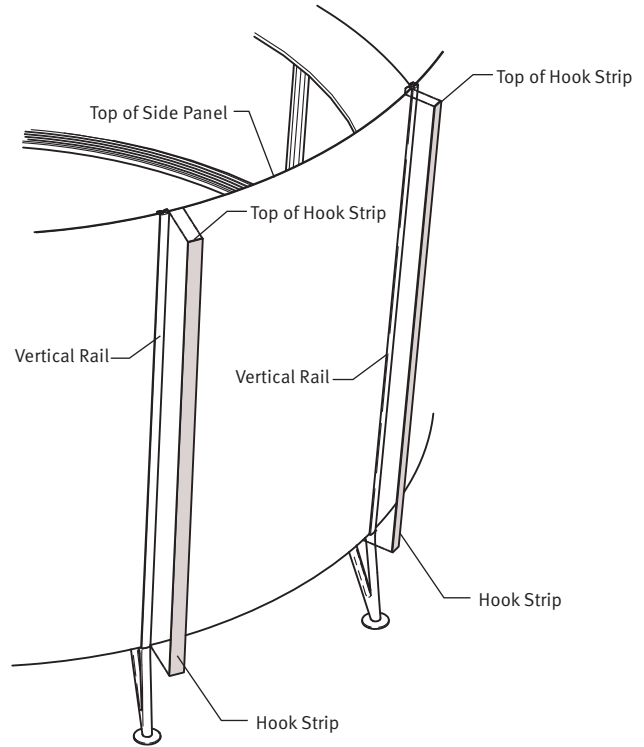
Creative/Media Space - Outside Pad:

1.1 Hook Strips will be separate from Loop Strips on External Acoustical Pad.



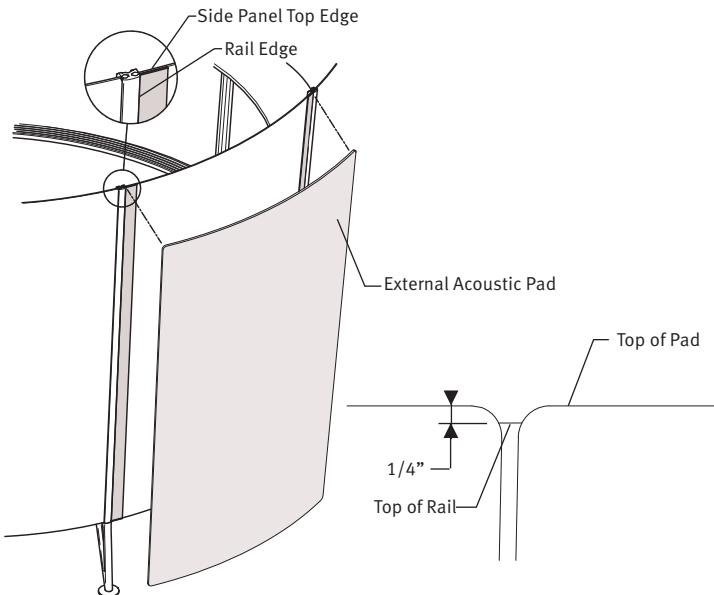
Step 2

- 2.1 Peel protective film from Hook layer.
- 2.2 Align top edge of hook strip with top edge of side panel.
- 2.3 Adhere to side panel with a 3mm gap between Vertical Rail and Hook Strip.
- 2.4 Press Hook Strips firmly against side panel along entire length of both strips. This is critical for good adhesive bond to side panel.
- 2.5 Install all hook strips for all panels first, moving in a circular movement around unit. Once all hook strips are installed, begin installing pads. Start with first set of hook strips that were installed. Move in same direction as the hook strips were installed.



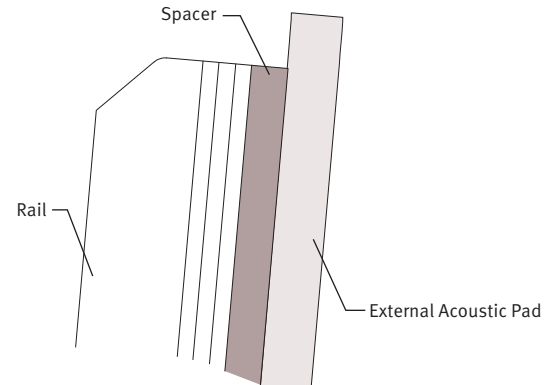
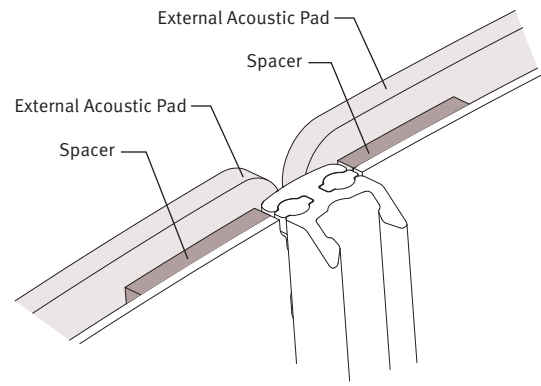
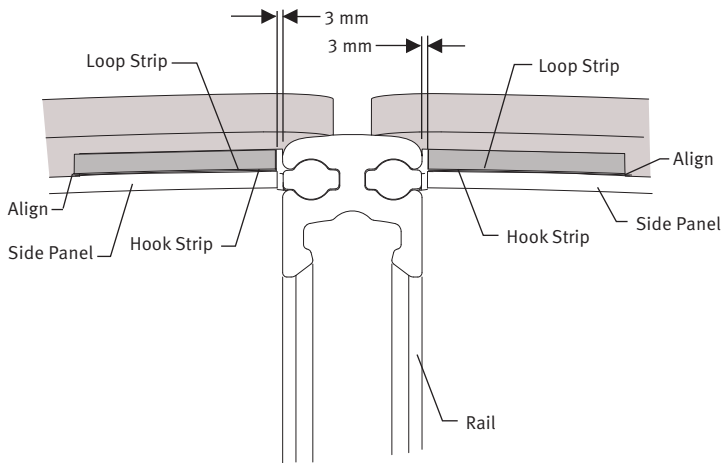
Step 3

- 3.1 Align corner of External Acoustic Pad by mating top edge of loop strip on back of Pad with top edge of side panel. Mate Loop strip side edge with vertical rail edge.
- 3.2 Hold External Acoustic Pad edge against rail. Press onto side panel.
- 3.3 Repeat for other side of panel. Note: top edge of pad should be 1/4" above top edge of side panel.
- 3.4 Press firmly from top to bottom over pad side edges to make sure hook and loop strips are fully engaged and to provide extra pressure to hook strip adhesive.



Step 4

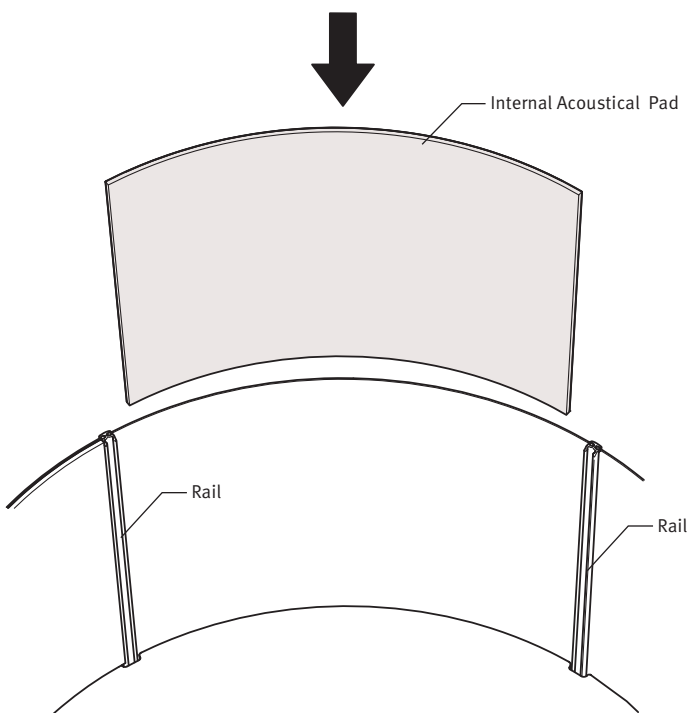
4.1 If installing multiple External Acoustic Pads, adjust position of pad edges to achieve even gap from top to bottom between each pad.



Solo Space - Inside Pad:

Step 1

1.1 Slide Internal Acoustic Pad down between Rails until flush at top of side panel.

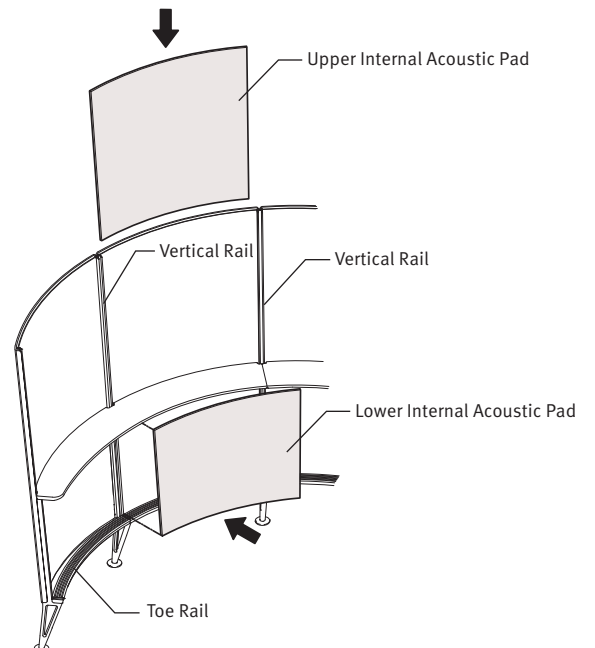


Creative/Media Space - Inside Pad:

Step 1

1.1 Slide Upper Internal Acoustic Pad down between Vertical Rails.

1.2 Insert Lower Internal Acoustic Pad lower edge between toe rail and side panel, between rails. Bow toward side panel. Push inward fully between rails, tight to side panel. Push until bottom of pad is flush with bottom of side panel.



Disassembly and Recycling:

Materials Identification and Segregation:

Where possible, plastic components are marked with ASTM recycling codes. Use these codes to identify material type for recycling. Non marked components should be treated as mixed plastic. Ferrous metals can be identified using a small magnet for recycling. Non-ferrous metals should be separated and recycled separately.

To disassemble product, reverse the above installation steps.