



How to assemble your Double Frame Table

Tools Required



Allen Wrench 1x 4mm

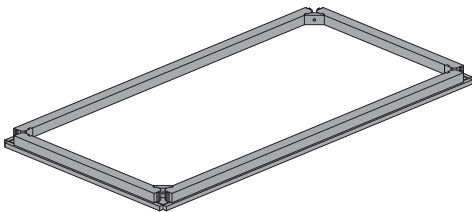


Allen Wrench 1x 5mm

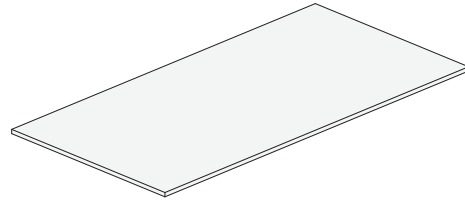
Double Frame Assembly Steps:

Step 1

1.1 Unbox all components, leave table frame upside down.



Parts Included



Top

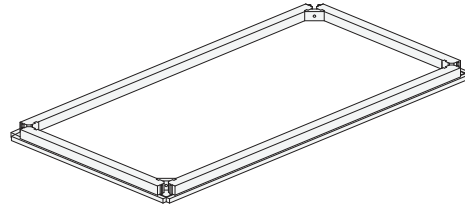


Table
frame



Leg (4)



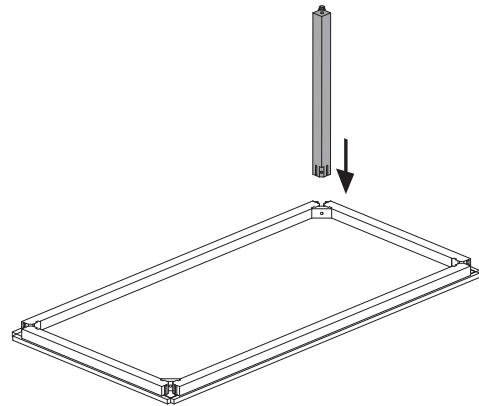
5mm hex drive
5/16" bolt (4)



4mm hex drive
5/16" bolt (6)

Step 2

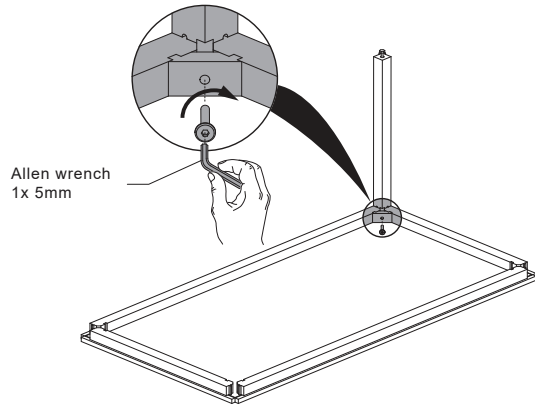
2.1 Slide legs into position.



Step 3

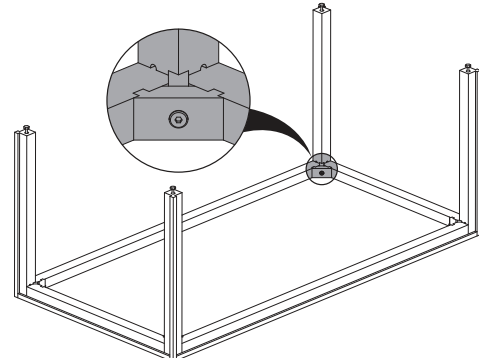
3.1 Insert and tighten bolt.

Note: Do not over tighten.



Step 4

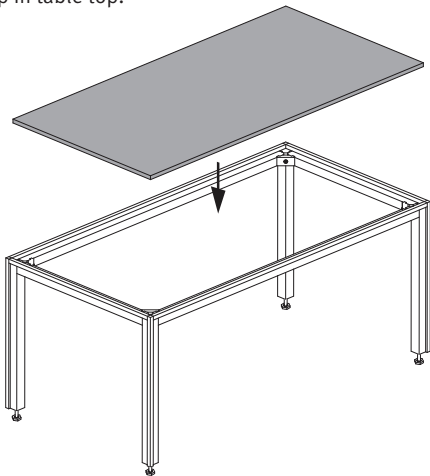
4.1 Repeat steps 2 and 3 for the three remaining legs.



Step 5

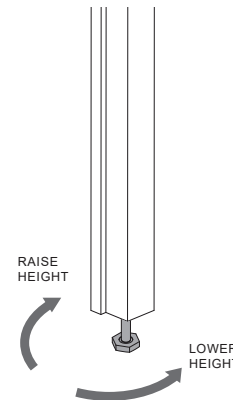
5.1 Flip table frame right side up.

5.2 Drop in table top.



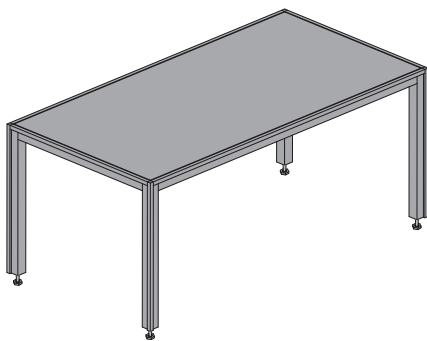
Step 6

6.1 Adjust the leveling feet to level the table and align the top with the shoulder of the table.



Step 7

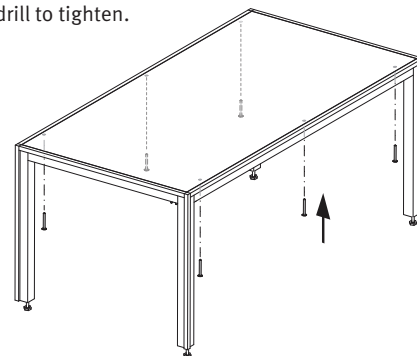
7.1 Marble top does not require hardware to secure the top to the frame.



Step 7


7.2 Install the 6x4mm hex drive bolts with the 4mm Allen key to secure the wood top to the base.

Note: The bolts should be snug. Do not over-tighten the bolts and do not use a drill to tighten.



For more information about our products and services please visit us at hermanmiller.com or call (800) 851 1196.

©2020 Herman Miller, Inc., Zeeland, Michigan Printed in U.S.A. Part No.

©  HermanMiller, are among the registered trademarks of Herman Miller, Inc.

Illustrations and specifications are based on the latest product information available at the time of publication. The right is reserved to make changes in design and specifications at any time, without notice, and also to discontinue products.