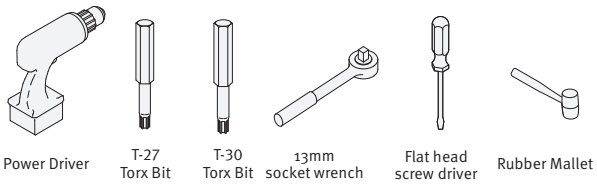




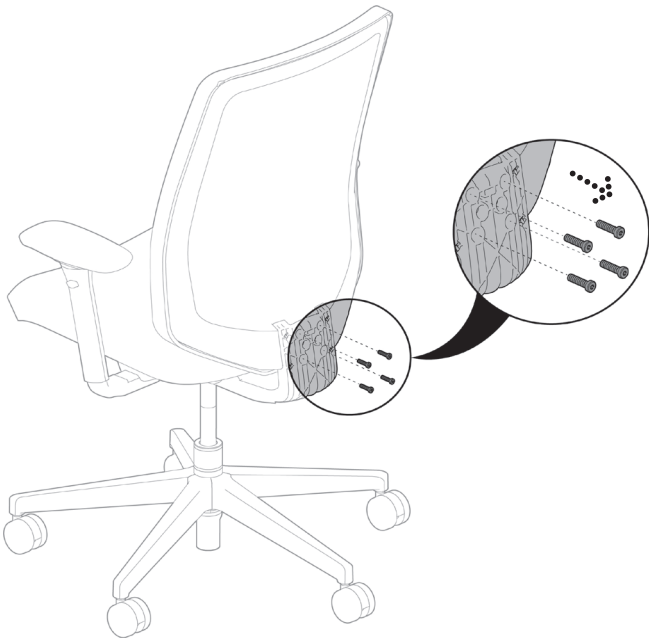
How to disassemble your chair.

Tools Required



Step 2

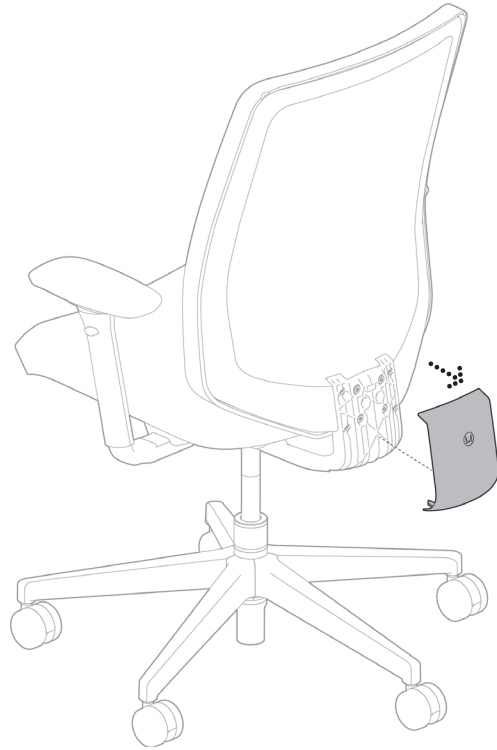
2.1 Take out the 4 bolt screws from the J-bar by using T-30 torx power drive.



Upholstered Back

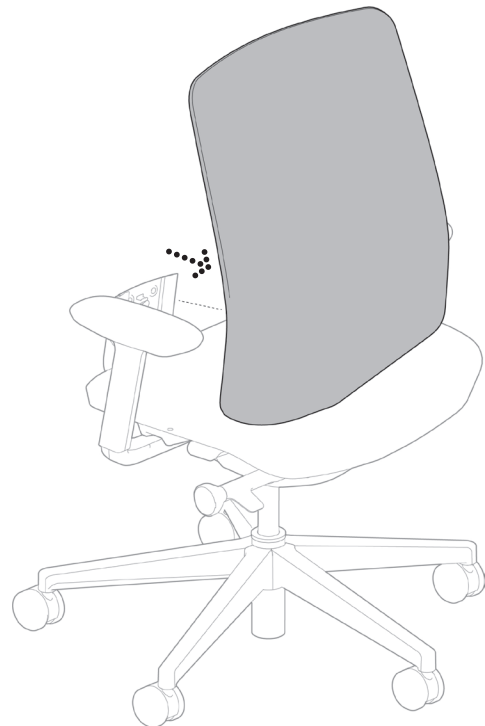
Step 1

1.1 Slide your fingers between the J-Bar and the cover, gently pry each corner.



Step 3

3.1 Take out the upholstered back frame from J-bar.



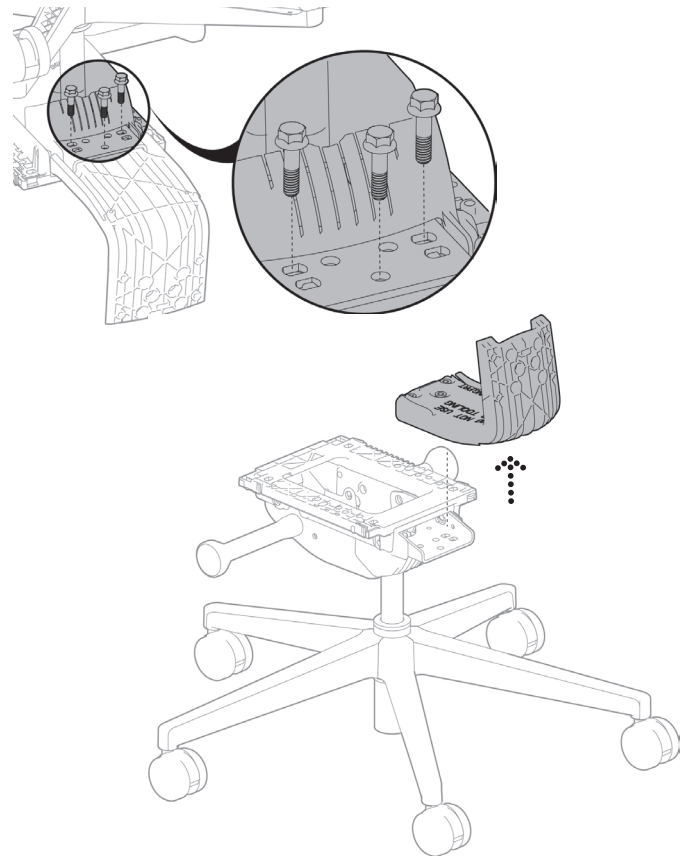
Step 4

4.1 Separate inner back shell using mallet.



Step 5

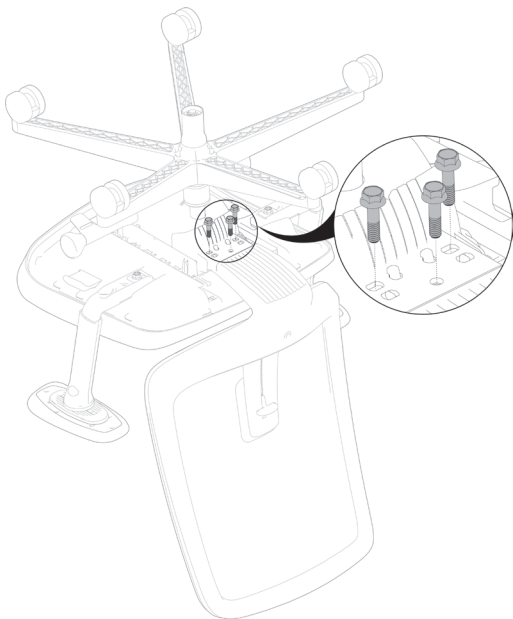
5.1 Take out the J-bar from tilt assembly by removing the 3 bolt screws using 13mm socket power drive.



Suspension Back

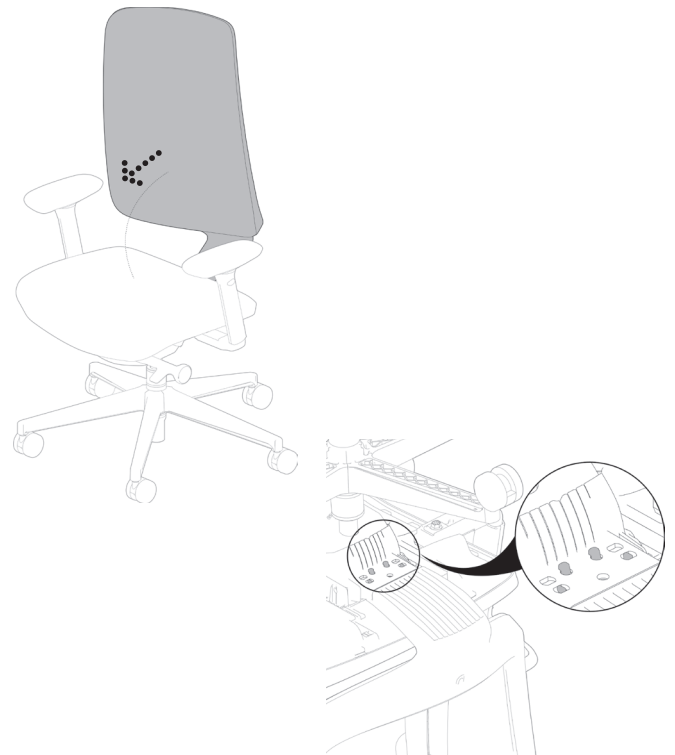
Step 1

1.1 Remove three 13mm hex bolts using a wrench between the back and tilt.



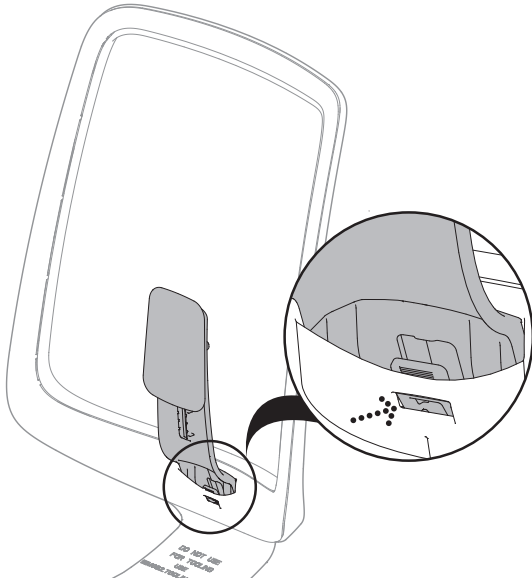
Step 2

2.1 Remove the back assembly by rotating the back forward to dis-engage hook features.



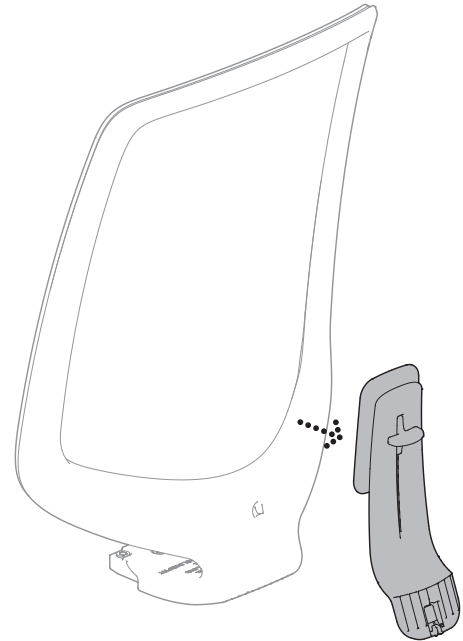
Step 3

3.1 Depress snap.



Step 4

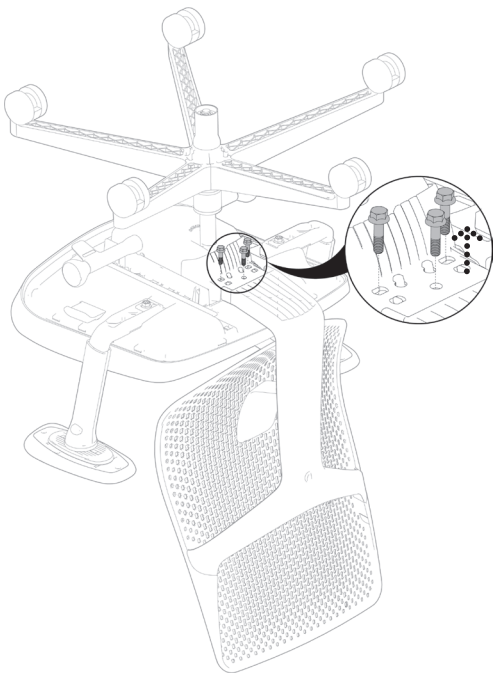
4.1 Remove lumbar assembly vertically.



Polymer Back

Step 1

1.1 Remove three 13mm hex bolts using a wrench between the back and tilt.



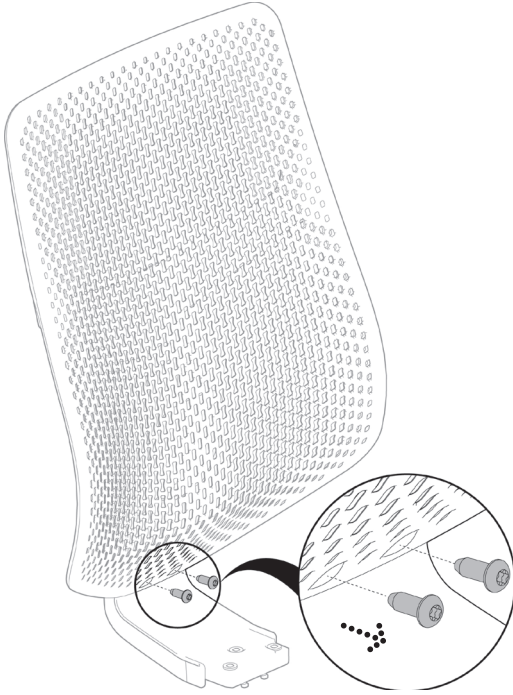
Step 2

2.1 Remove the polymer back assembly by rotating the back forward to disengage hooks.



Step 3

3.1 Remove two T-27 screws at the bottom of the back.



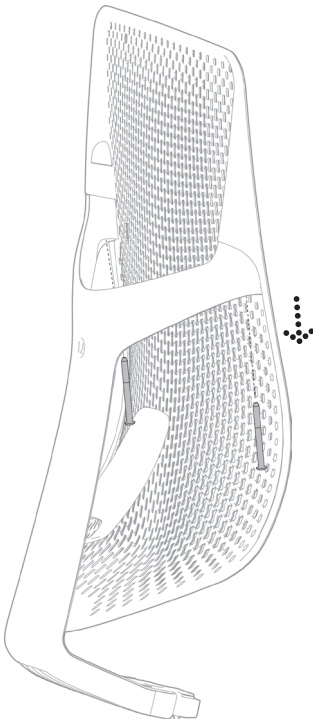
Step 4

4.1 Disengage back from pocket in spine by pulling forward on back.



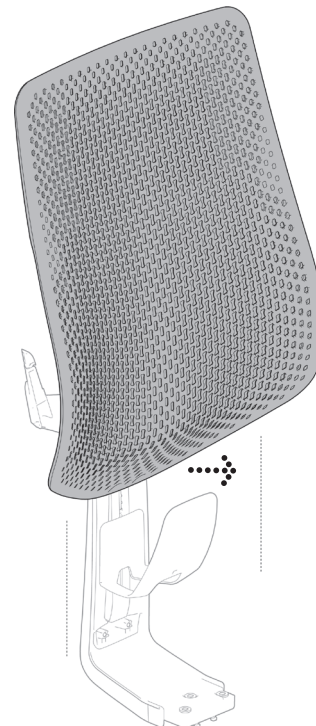
Step 5

5.1 Remove two T-27 screws at the top of the back.



Step 6

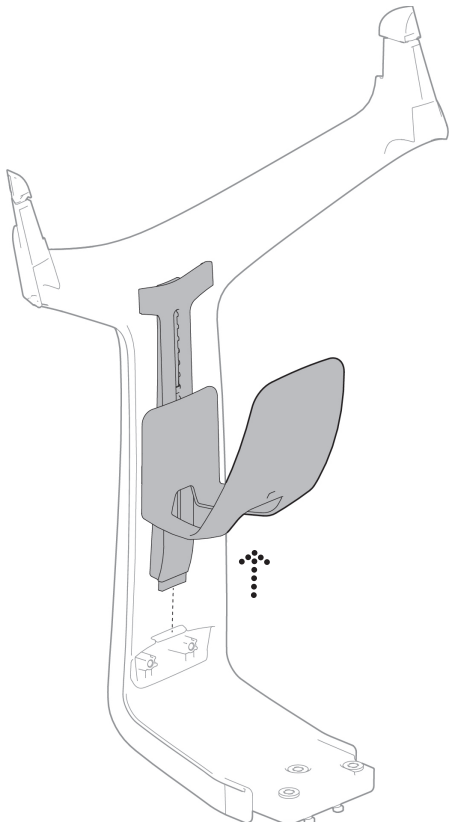
6.1 Pull lower back forward and slide polymer back upward off of spine.



Step 7

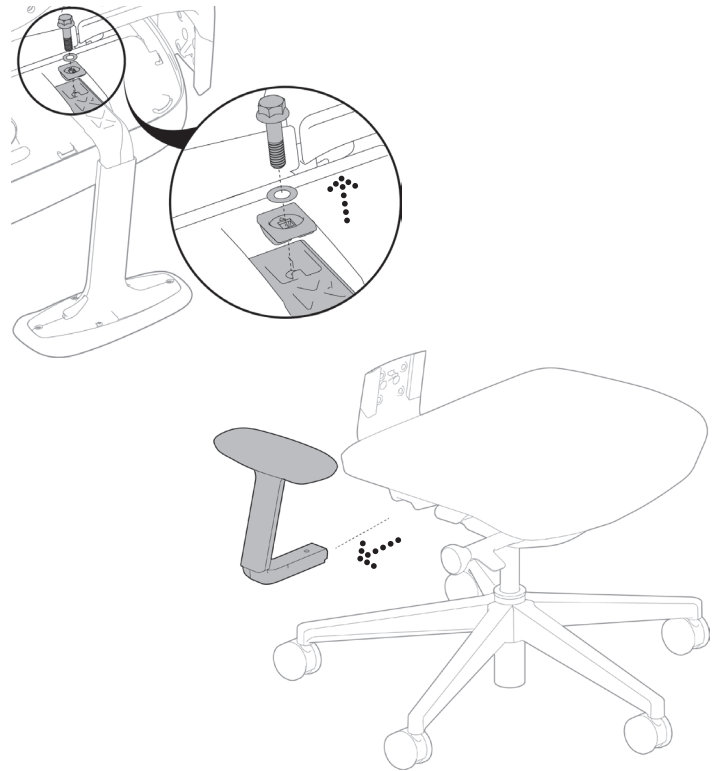
7.1 If present, remove lumbar system by disengaging lower track hook feature.

7.2 Lift lumbar track up and off of retaining hooks.



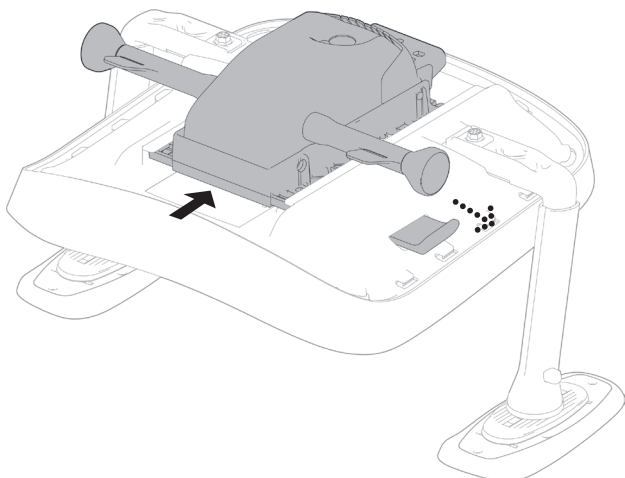
Step 8

8.1 Loosen the cap screws to remove the arms by using a 13mm socket wrench.



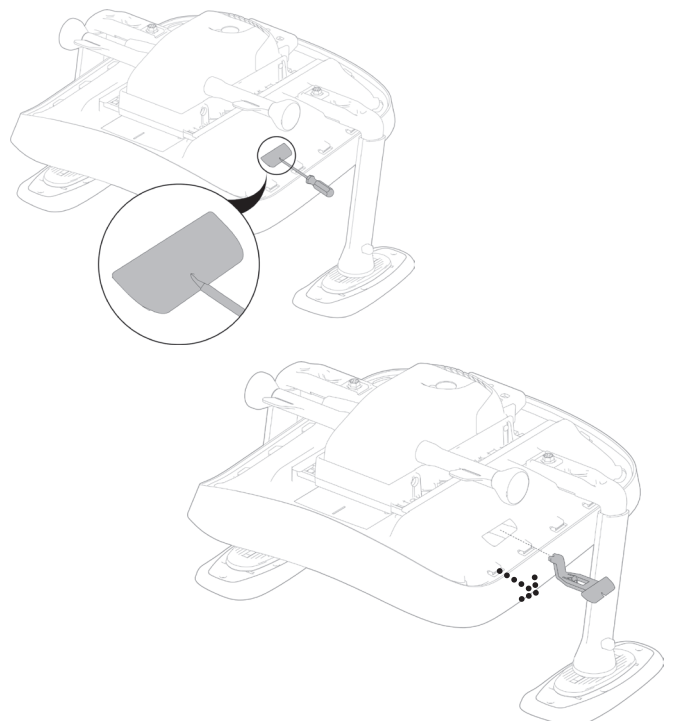
Step 9

9.1 Adjustable seat removal: Activate seats slide handle and slide tilt to the end stop.



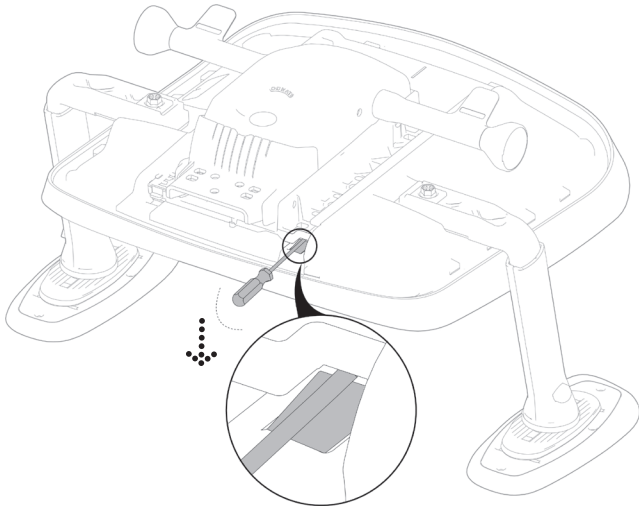
Step 10

10.1 Fixed seat removal: insert phillips head screw driver into access port to release fixed seat plug.



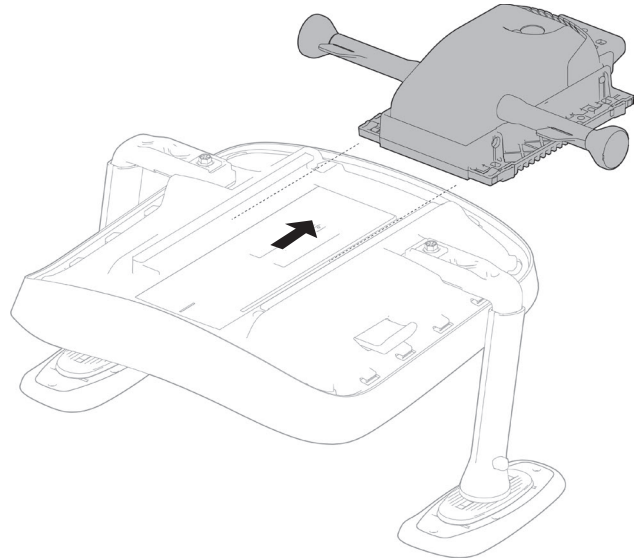
Step 11

11.1 Depress end stop snap using a screw driver.



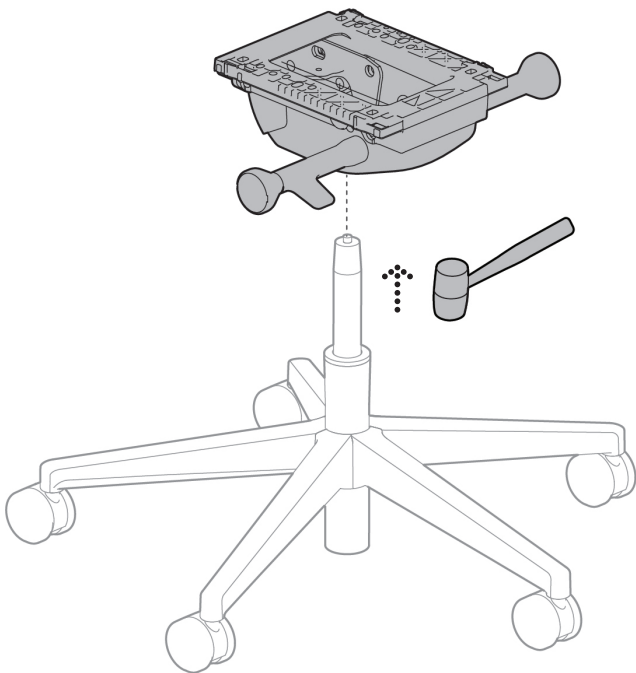
Step 12

12.1 Remove tilt from seat pan by sliding tilt out of track. The adjustable seat will require the seat slide handle to be activated.



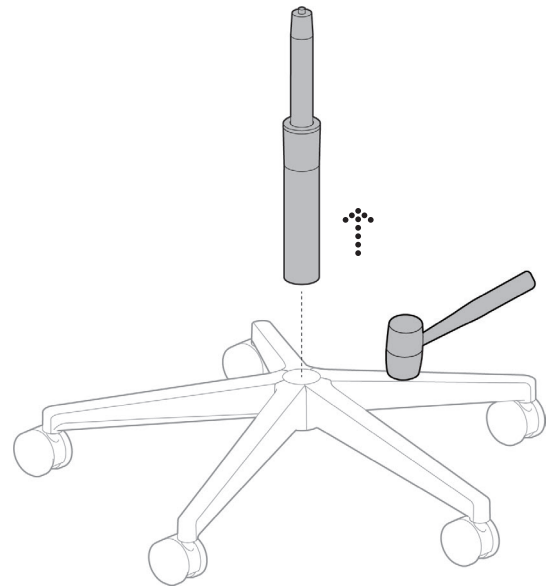
Step 13

13.1 Take out the tilt assembly from cylinder using mallet.



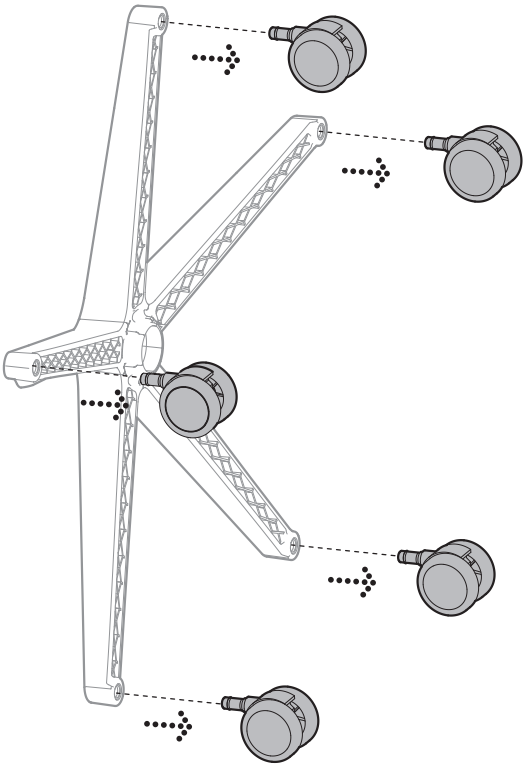
Step 14

14.1 Take out the cylinder from the base by using rubber mallet.



Step 15

15.1 Hold base and pull hard to remove caster from base.



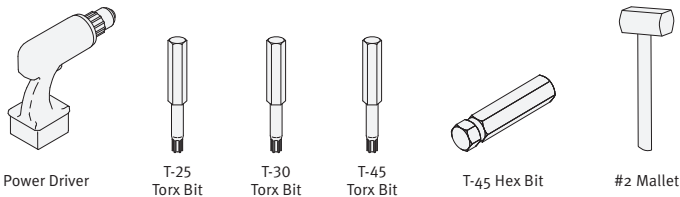
HermanMiller

Verus™ Work Stool Disassembly Instructions



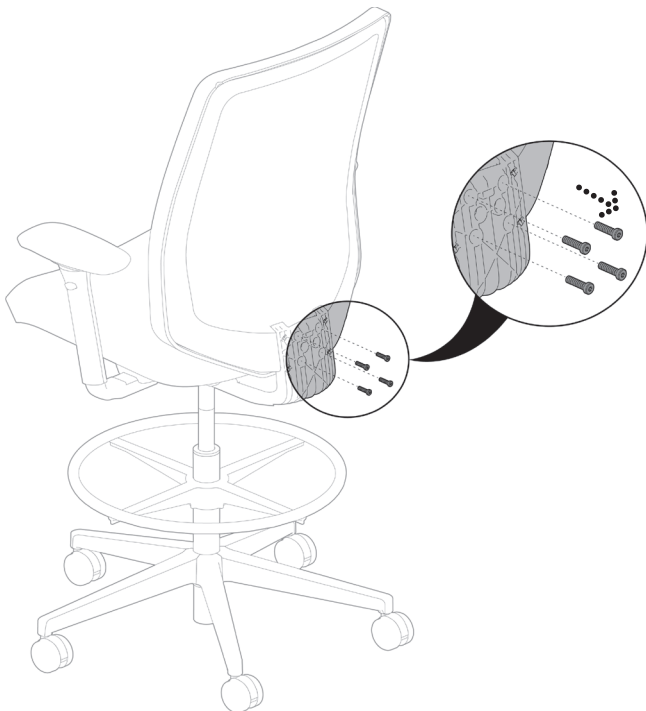
How to disassemble your stool.

Tools Required



Step 2

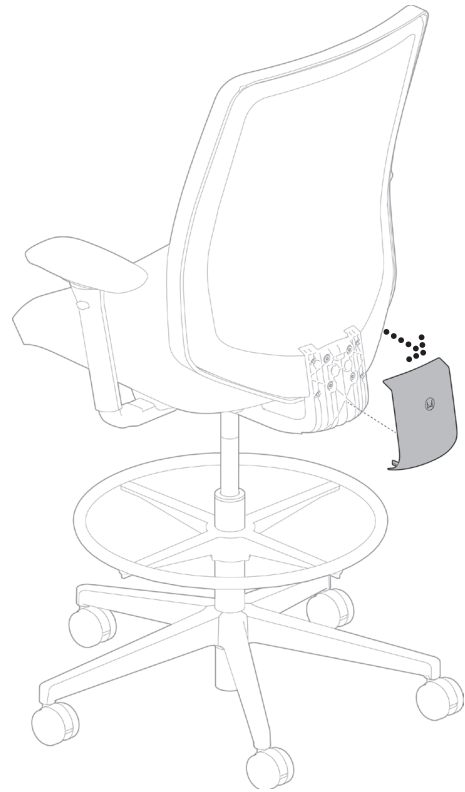
2.1 Remove the 4 bolts from the J-bar using the T-30 torx bit.



Upholstered Back

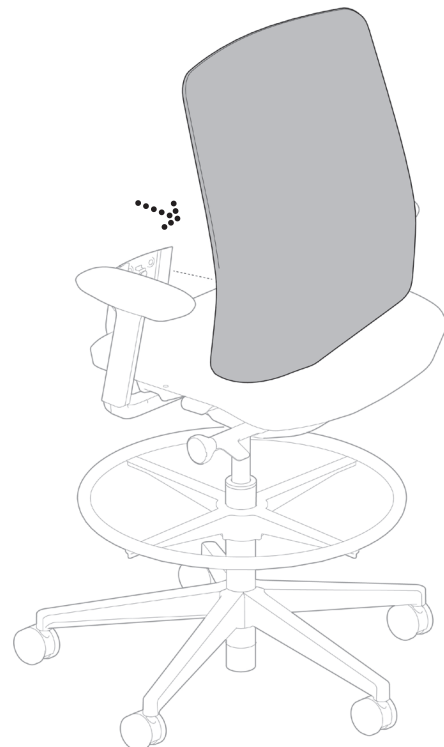
Step 1

1.1 Slide your fingers between the J-Bar and the cover, gently pry each corner.



Step 3

3.1 Take out the mesh back from J-bar.



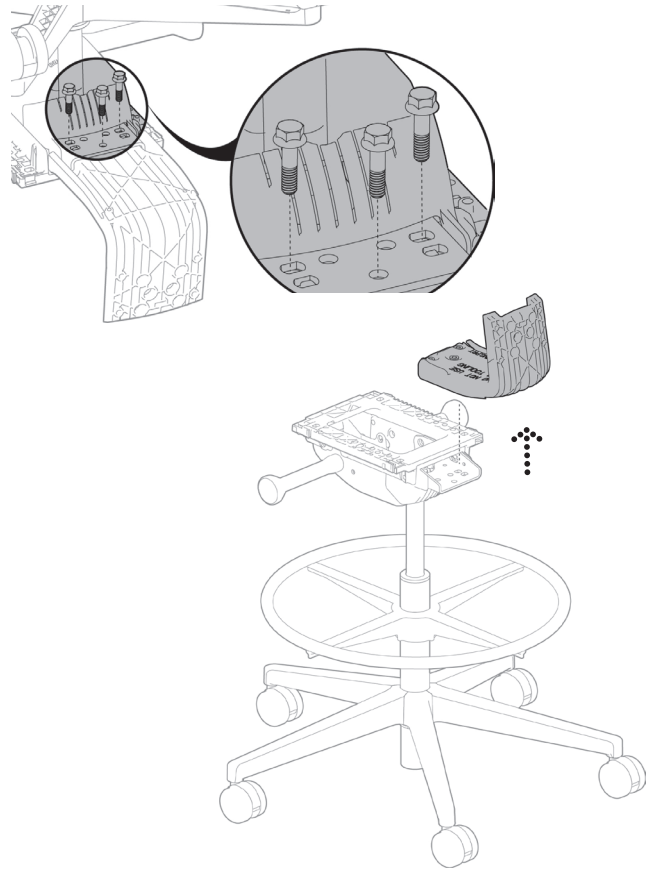
Step 4

4.1 Separate inner back shell using mallet.



Step 5

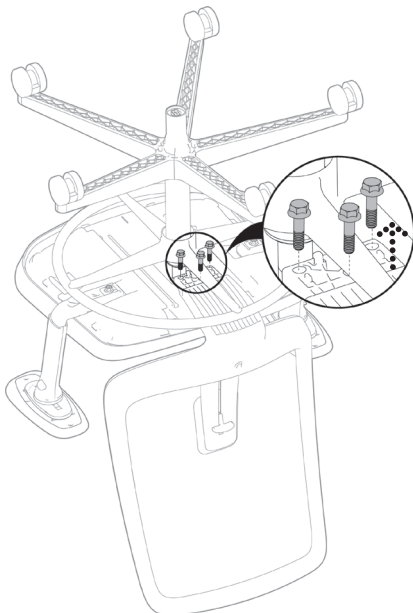
5.1 Take out the J-bar from tilt assembly by removing the 3 bolt screws using 13mm socket power drive.



Suspension Back

Step 1

1.1 Remove three 13mm hex bolts using a wrench between the back and tilt.



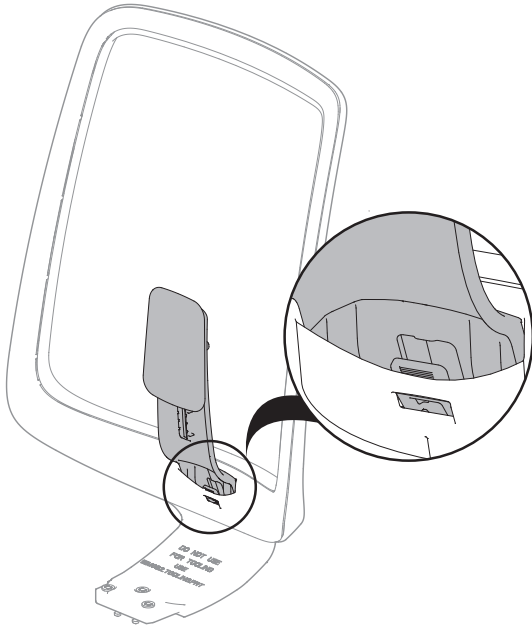
Step 2

2.1 Remove the back assembly by rotating the back forward to dis-engage hook features.



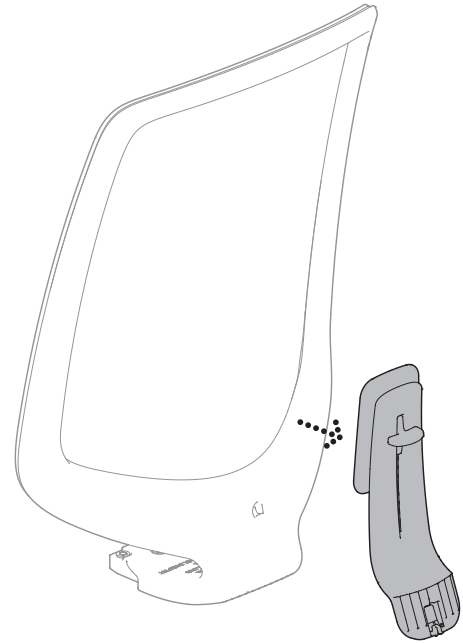
Step 3

3.1 Depress snap.



Step 4

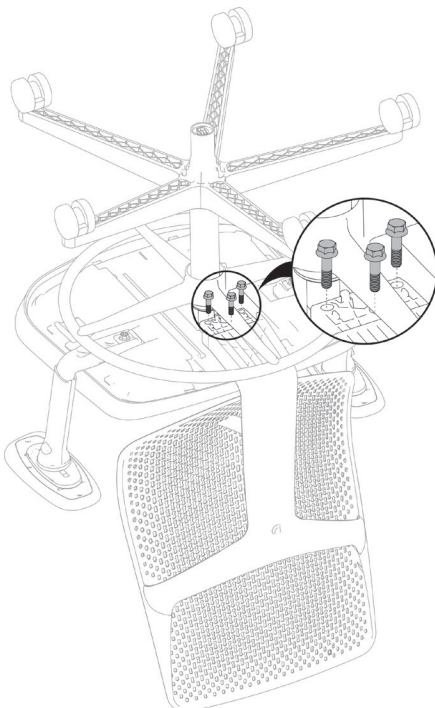
4.1 Remove lumbar assembly vertically.



Polymer Back

Step 1

1.1 Remove three 13mm hex bolts using a wrench between the back and tilt.



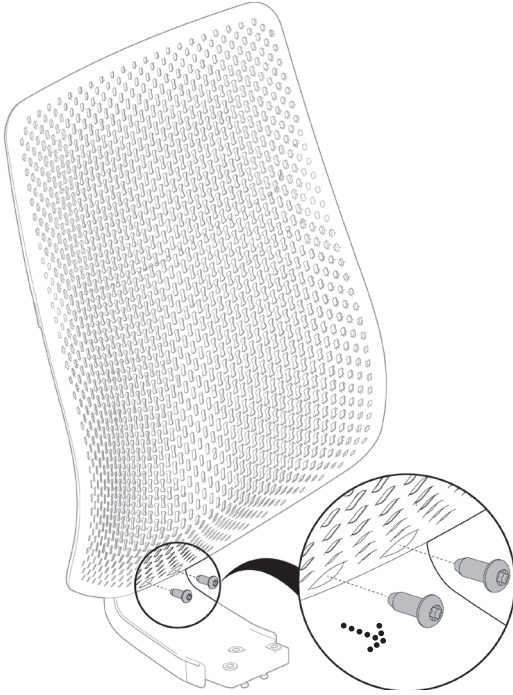
Step 2

2.1 Remove the polymer back assembly by rotating the back forward to disengage hooks.



Step 3

3.1 Remove two T-27 screws at the bottom of the back.



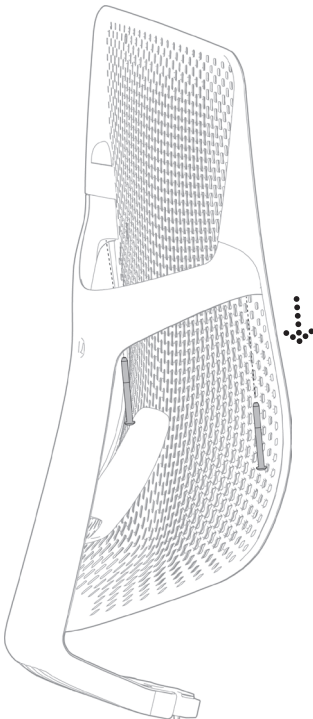
Step 4

4.1 Disengage back from pocket in spine by pulling forward on back.



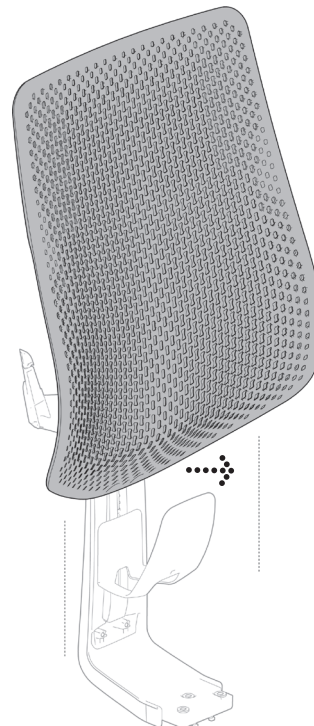
Step 5

5.1 Remove two T-27 screws at the top of the back.



Step 6

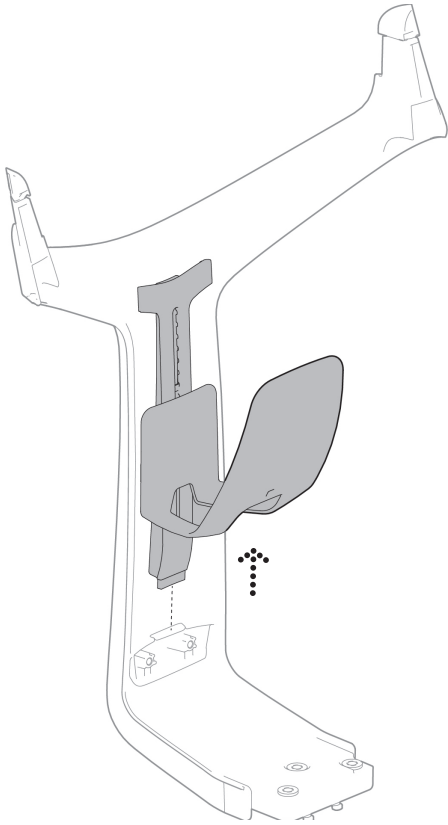
6.1 Pull lower back forward and slide polymer back upward off of spine.



Step 7

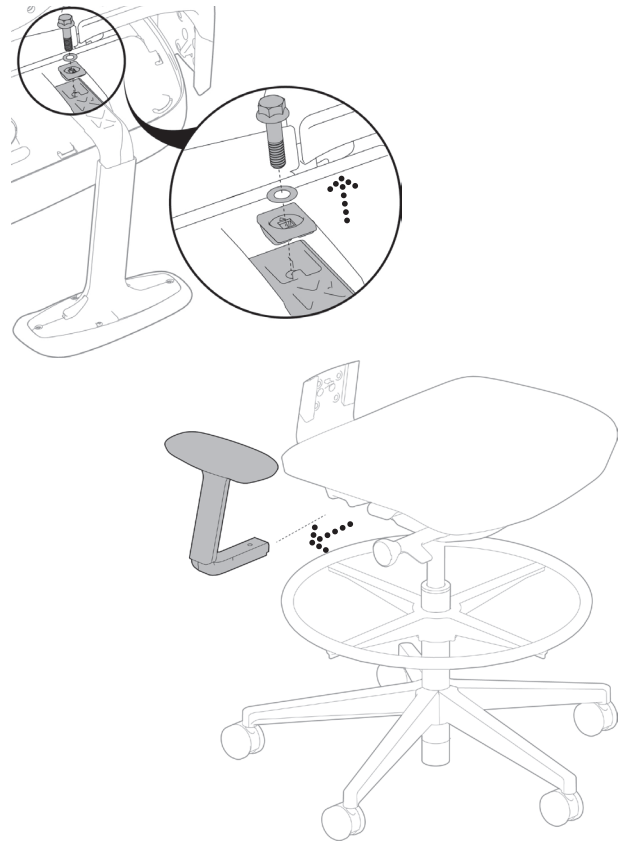
7.1 If present, remove lumbar system by disengaging lower track hook feature.

7.2 Lift lumbar track up and off of retaining hooks.



Step 8

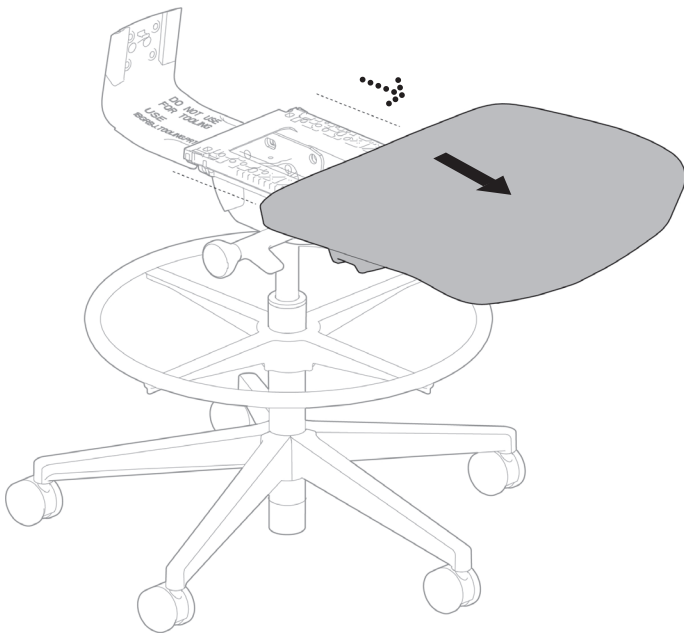
8.1 Loosen the cap screws to remove the arms by using a 13mm socket wrench.



Step 9

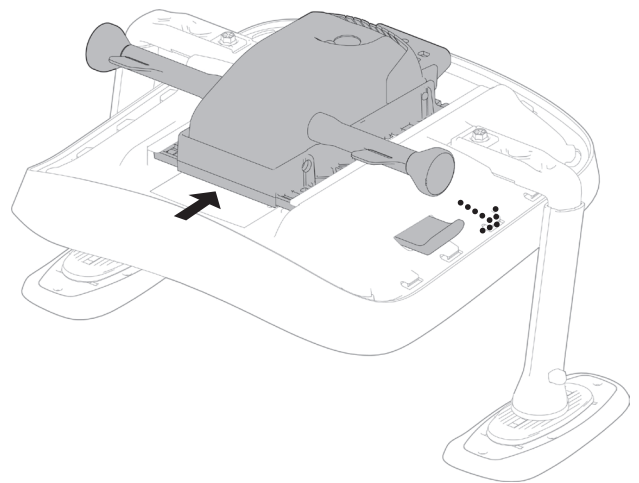
9.1 Remove the seat assembly by sliding it forward.

9.2 Depress retainer tab to release seat.



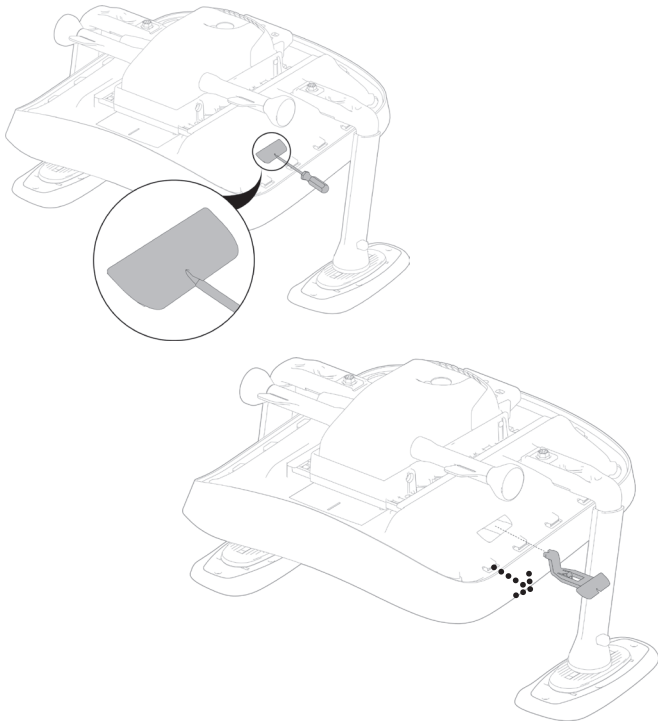
Step 10

10.1 Adjustable seat removal: Activate seats slide handle and slide tilt to the end stop.



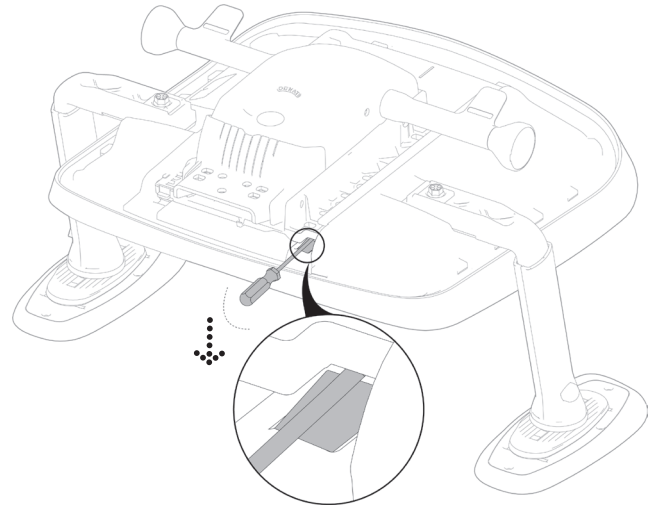
Step 11

11.1 Fixed seat removal: insert phillips head screw driver into access port to release fixed seat plug.



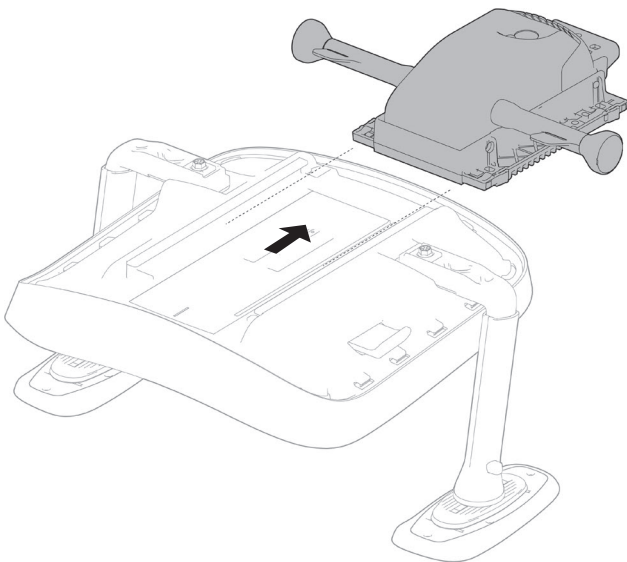
Step 12

12.1 Depress end stop snap using a screw driver.



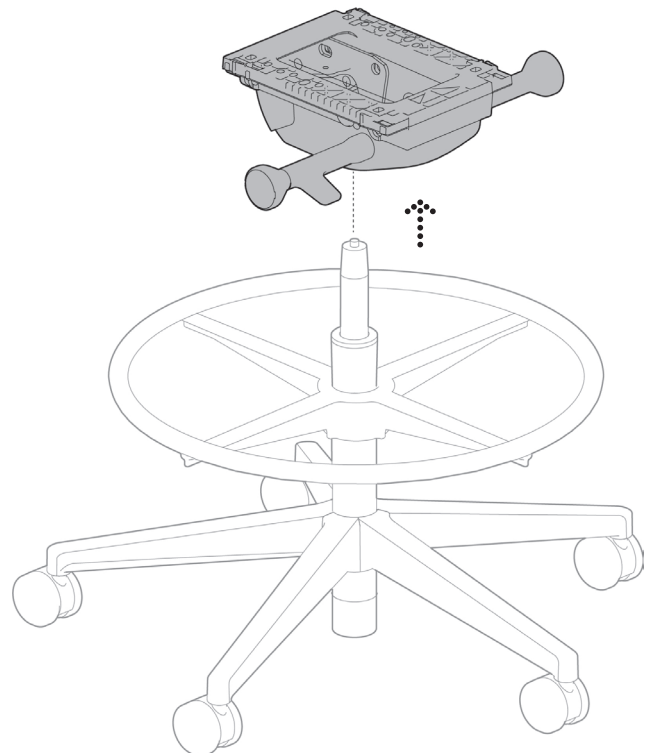
Step 13

13.1 Remove tilt from seat pan by sliding tilt out of track. The adjustable seat will require the seat slide handle to be activated.



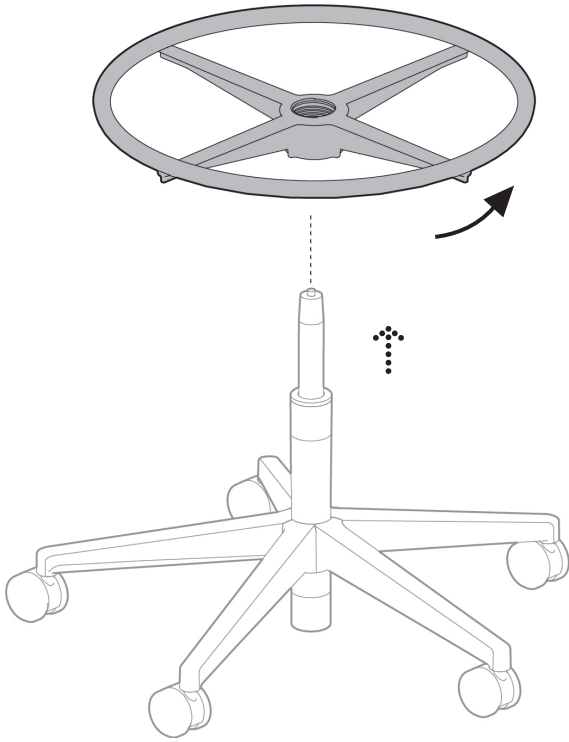
Step 14

14.1 Take out the tilt assembly from cylinder by pulling it hard.



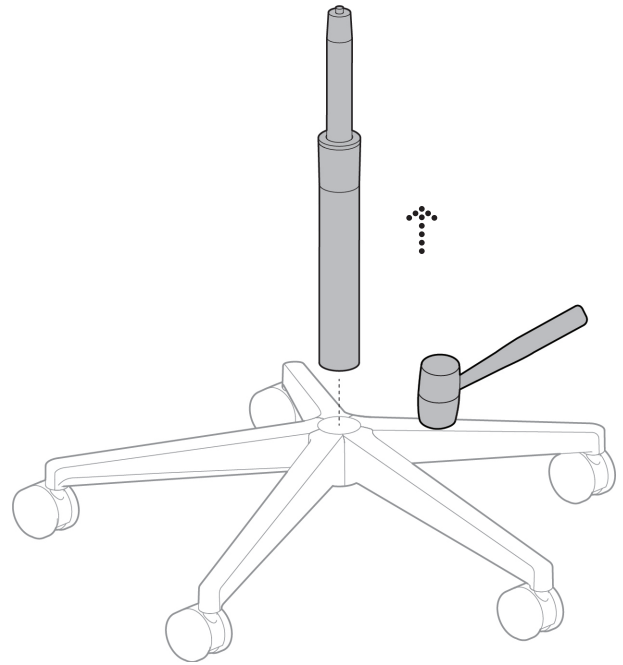
Step 15

15.1 Take out the footing from the cylinder by rotating the footing counter clockwise to unlock and slide footing off of cylinder.



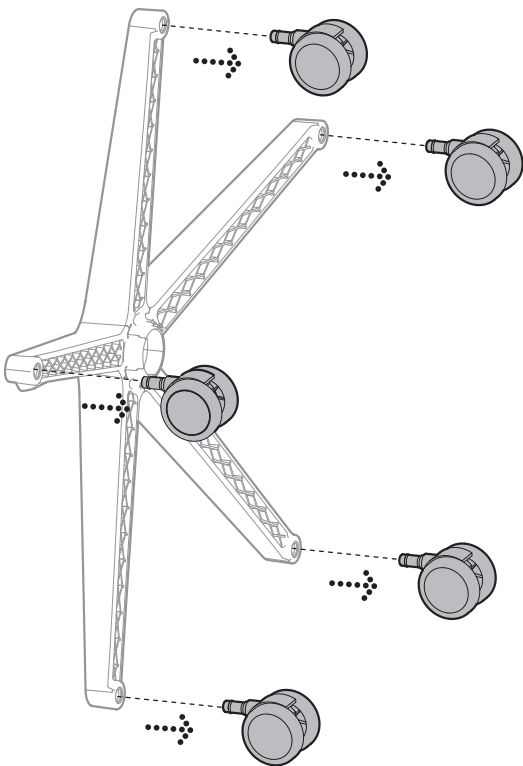
Step 16

16.1 Take out the cylinder from the base by using rubber mallet.



Step 17

17.1 Hold base and pull hard to remove caster from base.



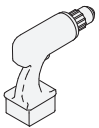
HermanMiller

Verus™ Side Chair Disassembly Instructions



How to disassemble your chair.

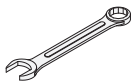
Tools Required



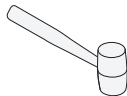
Power Driver



Phillips Bit



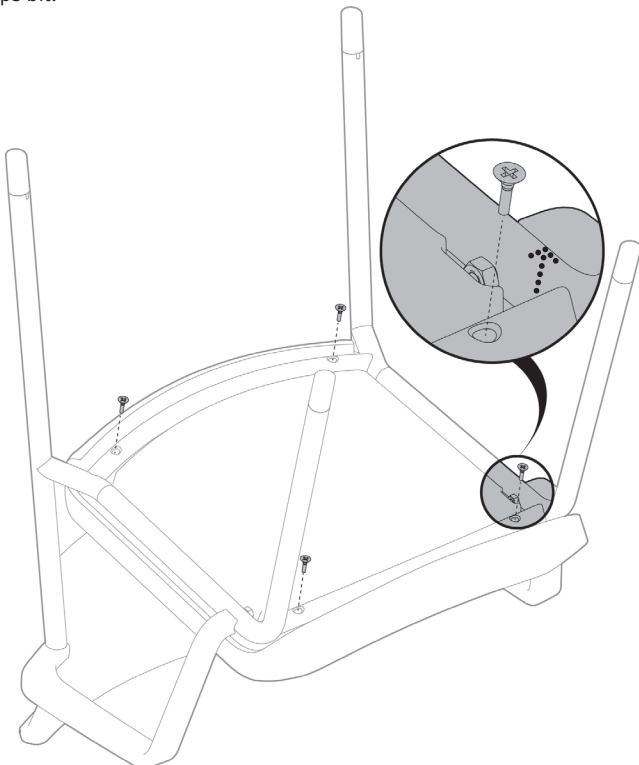
1/2" Wrench



Rubber Mallet

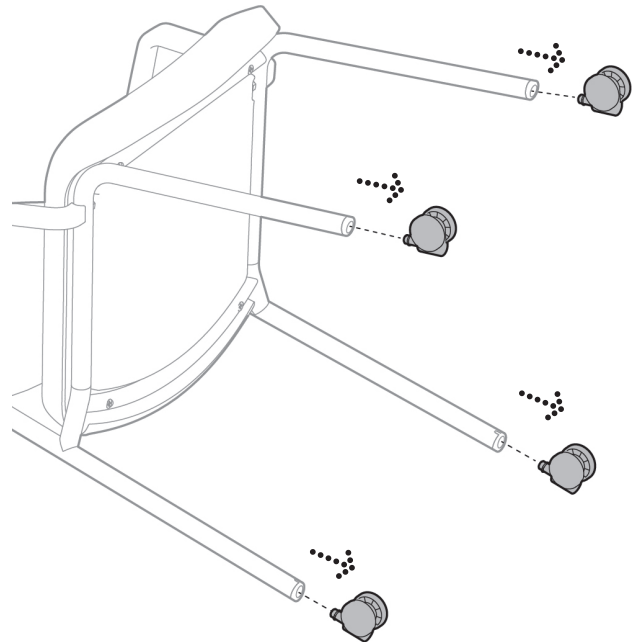
Step 2

2.1 Remove the seat by taking out the 4 screws in the bottom using phillips bit.



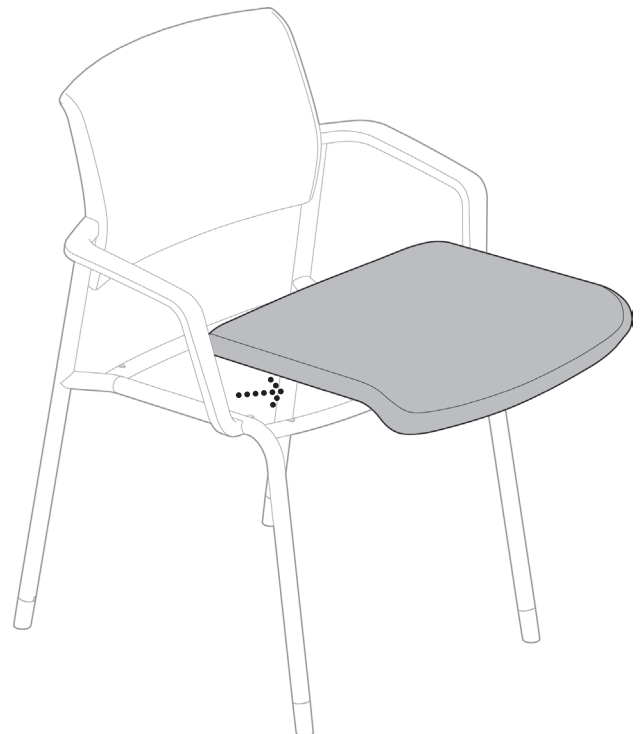
Step 1

1.1 To remove the caster, grasp the caster with hand and pullout.



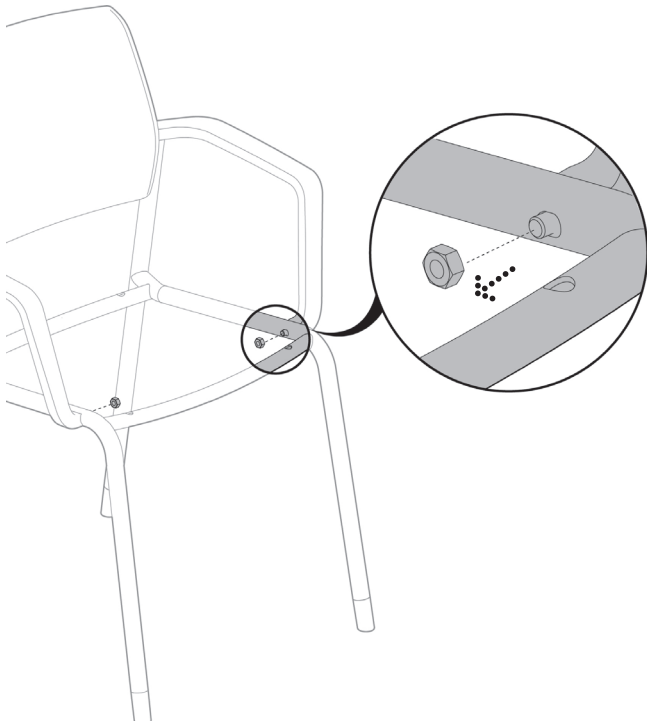
Step 3

3.1 Remove the seat.



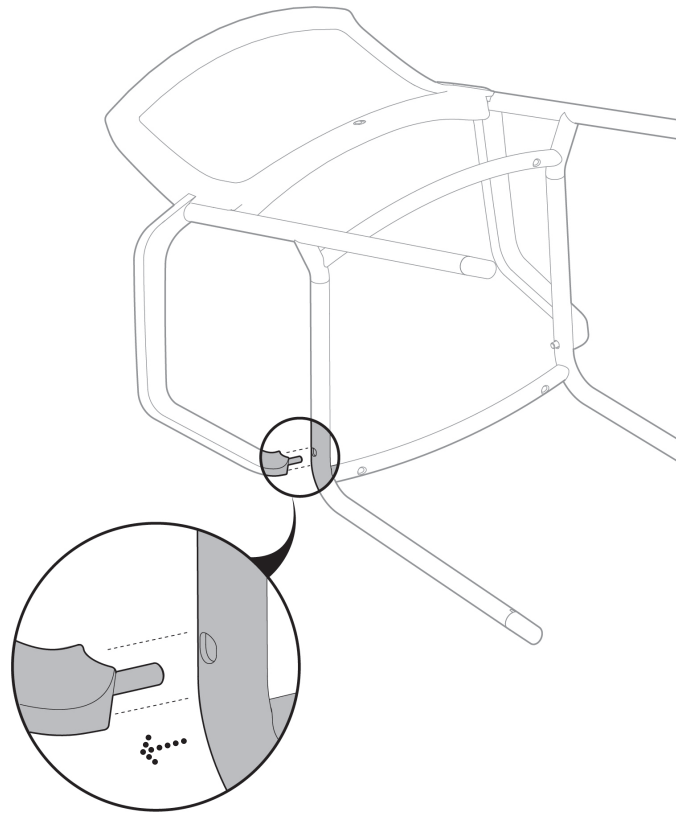
Step 4

4.1 Remove the 2 nuts holding the arms using 1/2 inch socket.



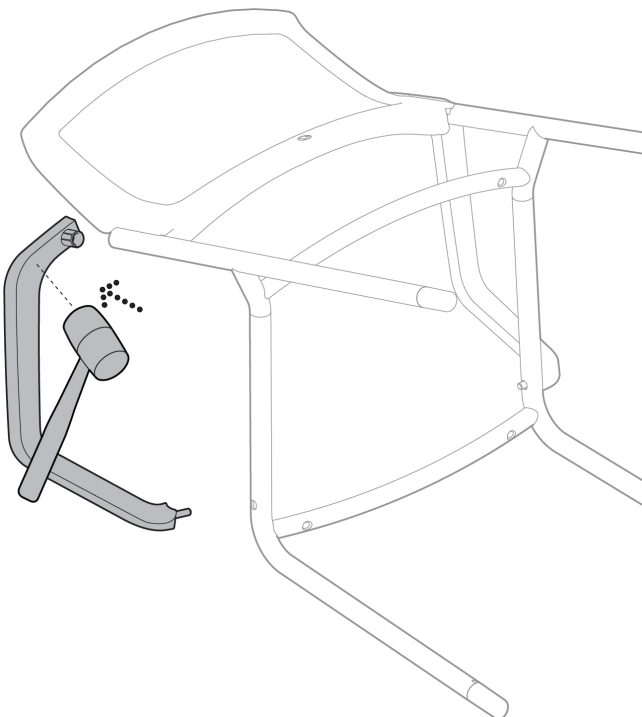
Step 5

5.1 Remove the arm. Repeat for opposite side.



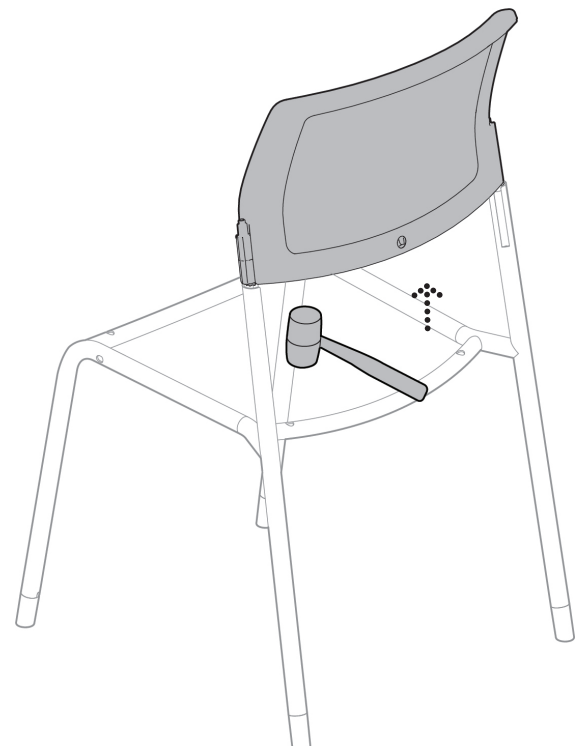
Step 6

6.1 Using a rubber mallet, gently tap the top end of the arm from underneath and take out the arm.



Step 7

7.1 Using a rubber mallet, tap up evenly on both sides until the back comes out of the track.



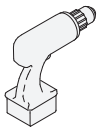
HermanMiller

Verus™ Plus Chair Disassembly Instructions



How to disassemble your chair.

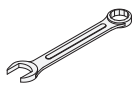
Tools Required



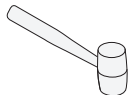
Power Driver



3/16" Hex



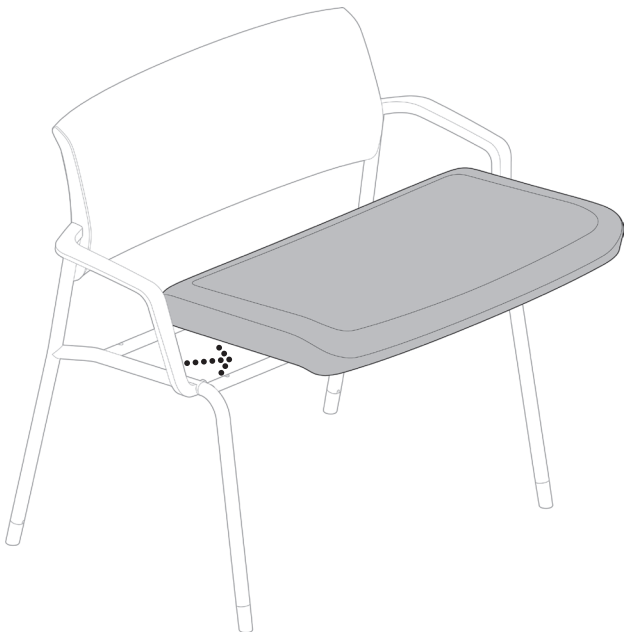
1/2" Wrench



Rubber Mallet

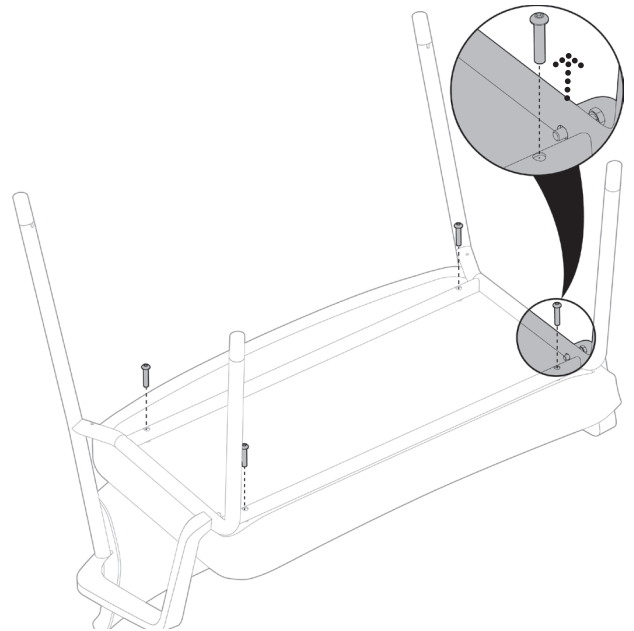
Step 2

2.1 Remove the seat.



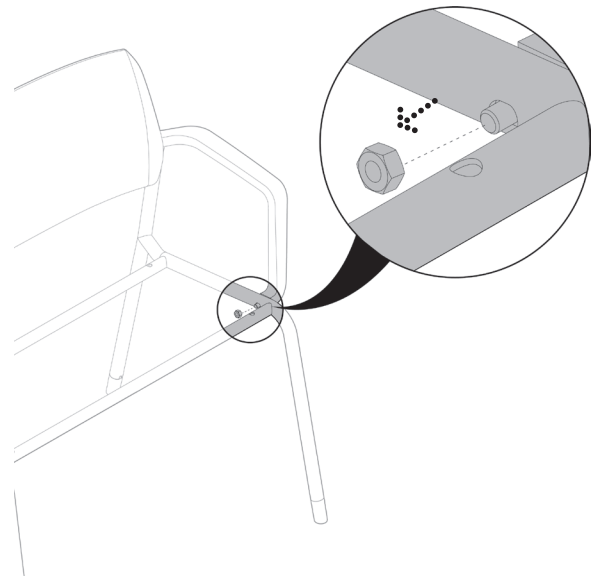
Step 1

1.1 Remove the seat by taking out the 4 screws in the bottom using 3/16" Hex Bit.



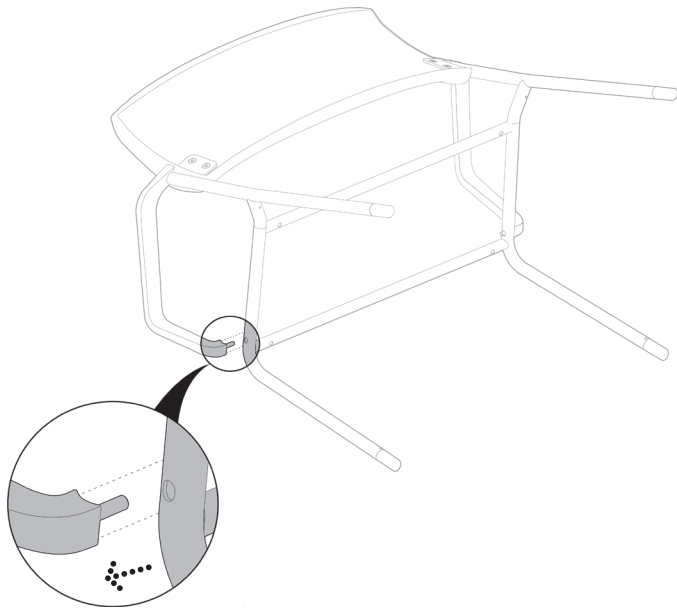
Step 3

3.1 Remove the 2 nuts holding the arms using 1/2 inch socket.



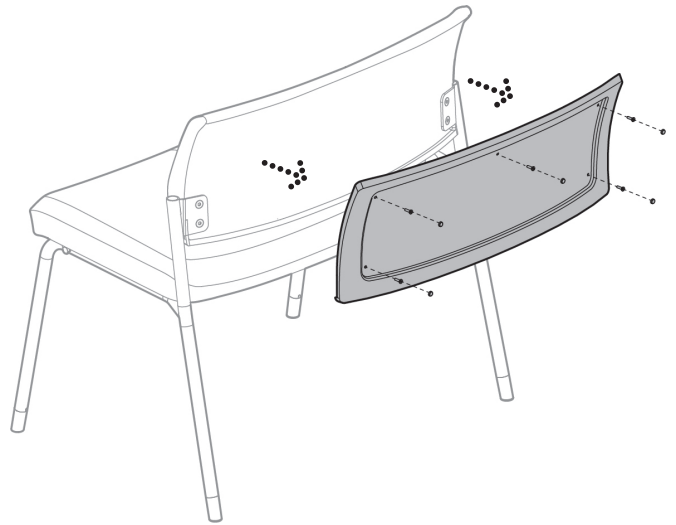
Step 4

4.1 Remove the arm. Repeat for opposite side.



Step 5

5.1 Remove the back cover by taking out the 5 screw caps and screws, using a phillips bit.



Step 6

6.1 Remove the back by taking out the 4 screws in the back using a 3/16" hex bit.

