

HermanMiller

Wall Starts on Columns and Frames

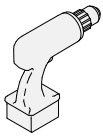
Installation and Disassembly for

Recycling Instructions



How to assemble Wall Starts on Columns and Frames

Tools Required



Power Driver



Drill Bit
(Determined by fastener)



Driver Bit
(Determined by fastener)



Level



Tape Measure



Safety Glass

Definition of a structural wall:

Herman Miller Inc. definition of a structural wall is a load-bearing wall constructed of materials such as poured concrete or concrete block or a composite board (dry wall) attached to metal or wood studs. Composite board (dry wall) must be 5/8" or more thick. Wood studs must be nominal 2" x 4" size. Metal studs must be "C" channel 20 ga. thick. Metal or wood studs must be on centers no greater than 24", have a maximum height of 14' and restrained at floor and ceiling.

Note: Refer to fastener manufacturer's specifications for pilot hole dia. size.

Installation guidelines:

Fasteners for attaching into dry wall: #10 pan head machine screw with toggle bolt or hollow wall fastener. Screw length must be determined by wall construction and thickness.

- Fasteners for attaching into concrete: #10 pan head sheet metal screw and masonry anchor. Screw length must be determined by wall construction and thickness.

Fasteners for attaching into studs through drywall: #10 pan head sheet metal screw. Screw length must be determined by wall construction and thickness.

IMPORTANT: Save these instructions for layout changes.

Parts Included



Plate

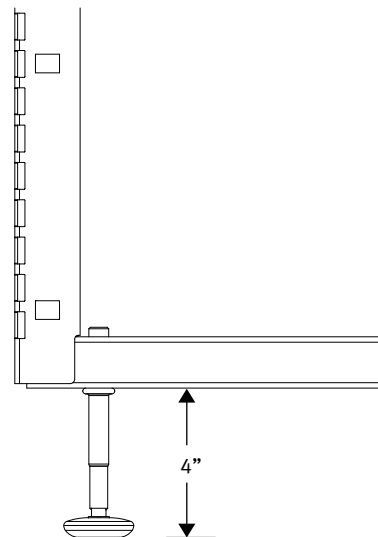
WARNING

It is the responsibility of the installer to select and install the proper fasteners in a structural wall. Herman Miller does not furnish fasteners or assume liability for their use.

Assembly Instructions:

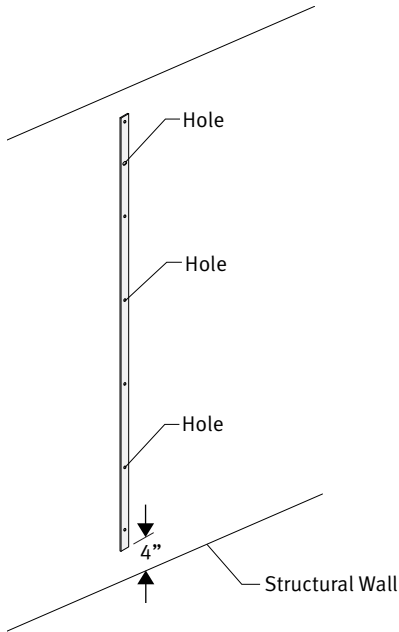
Step 1

1.1 Adjust Glides to 4" from floor to bottom of frame.



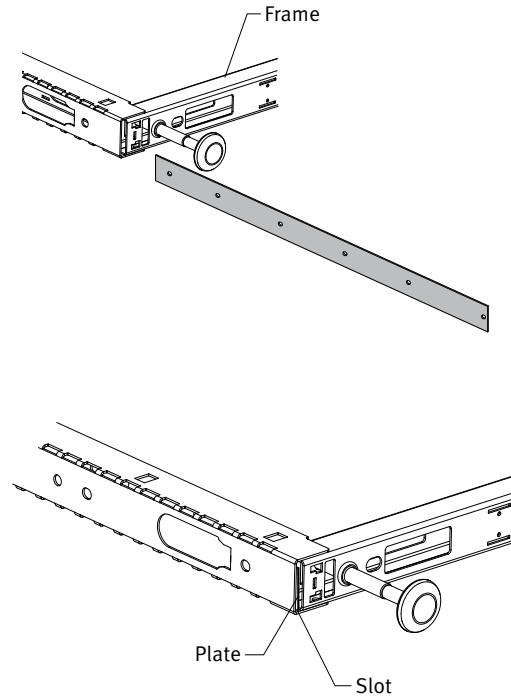
Step 2

- 2.1 Position Plate to structural wall 4" from Floor.
- 2.2 Level Plate vertically. If fastening into studs, proceed to step 2.2.
- 2.3 Mark anchor locations on structural wall through holes in Plate.
- 2.4 Remove Plate from Wall. Install Screw anchoring hardware, per manufacturers specifications, into wall.



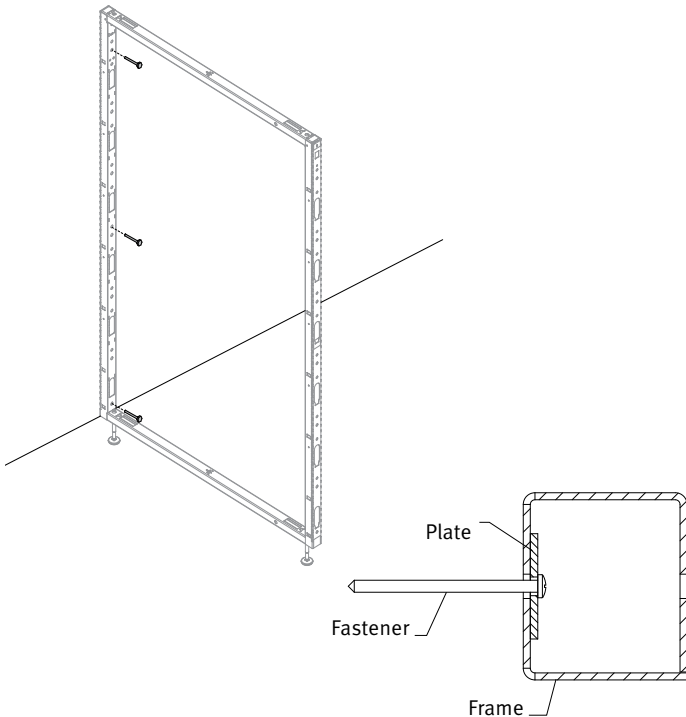
Step 3

- 3.1 Slide Plate (A) into Frame through Slot in bottom of Frame until end of plate is flush with bottom of Frame.



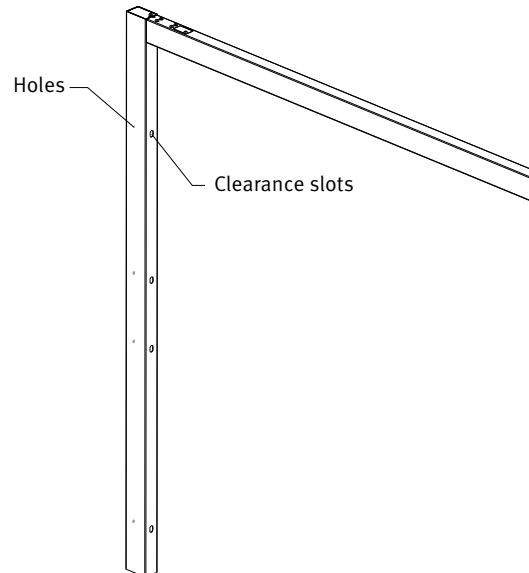
Step 4

- 4.1 Secure Frame to wall with customer supplied Fasteners as perviously described in installation guidelines.



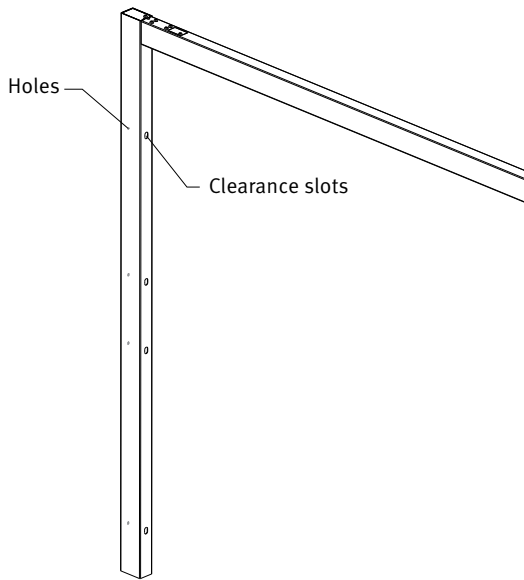
Wall Start Columns

We also provide the ability to connect a COLUMN to the wall. It connects in the same manner that the Frame connects, EXCEPT you do not need the extra PLATE piece. The features are built into the column.



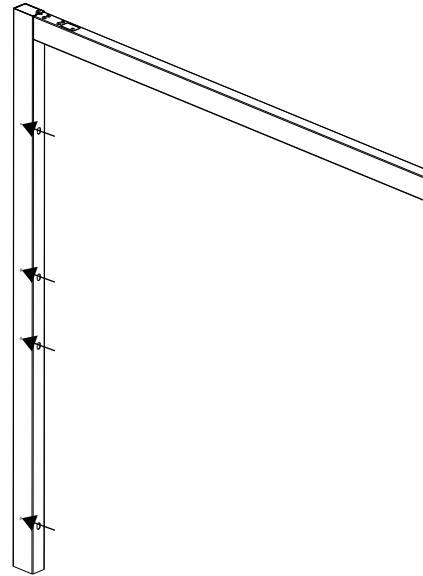
Wall Start Columns

We also provide the ability to connect a COLUMN to the wall. It connects in the same manner that the Frame connects, EXCEPT you do not need the extra PLATE piece. The features are built into the column.



Step 1

1.1 Secure column to wall with customer supplied fastener same as step 4.



Disassembly and Recycling:

Materials Identification and Segregation:

Where possible, plastic components are marked with ASTM recycling codes. Use these codes to identify material type for recycling. Non marked components should be treated as mixed plastic. Ferrous metals can be identified using a small magnet for recycling. Non-ferrous metals should be separated and recycled separately.

To disassemble product, reverse the above installation steps:

For more information about our products and services please visit us at hermanmiller.com or call (800) 851 1196.

©2018 Herman Miller, Inc., Zeeland, Michigan Printed in U.S.A. Part No. 1BNYWC – A