

# HermanMiller

## Nelson™ Bubble Lotus Table Lamp Nelson™ Bubble Lotus Floor Lamp



**FOR INDOOR DRY LOCATION USE ONLY.**

**DO NOT COVER ANY PART OF THE LUMINAIRE.**

**LAMP IS HOT! WHEN TURNED OFF, ENSURE LAMP HAS COOLED BEFORE CHANGING.**

**IF THE LUMINAIRE IS DAMAGED, IT SHOULD BE REPLACED, OR REPAIRED BY THE MANUFACTURER OR THEIR SERVICE AGENT OR SIMILAR QUALIFIED PERSON IN ORDER TO AVOID ANY HAZARD.**

**CAUTION  
PLASTIC BAGS CAN BE DANGEROUS.  
TO AVOID DANGER OF SUFFOCATION,  
KEEP THIS BAG AWAY FROM BABIES AND CHILDREN**

### No Tools Required

#### Technical Specifications

Light source type: E27

Only use LED or Compact fluorescent energy saving lamps.

Lamp and colour to be specified separately.

#### Electrical

Class: 1 (This product must be earthed)

Input Voltage (VAC): 110-240V

Input Frequency (Hz): 50/60 Hz

Power Consumption (W): All Luminaire are individually marked

#### Environmental

Ingress Protection: IP20

Operating Temperature Range: +25°C

Storage Temperature Range: -10°C to +50°C

Humidity (non-condensing): 20-50% Non-condensing, dry locations only

#### Physical Specifications

All Luminaire vary in size and weight: \*Typically

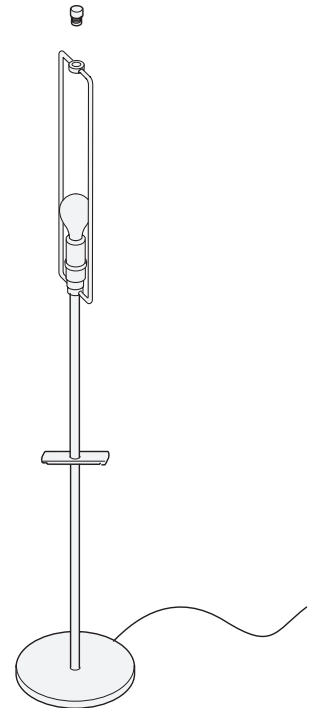
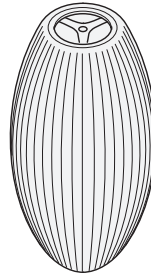
Small Shade = \*.45kg; Medium Shade= \*1.43 kg; Large Shade = \*2.04 kg

Table Base = \*1.5 kg; Floor Base = \*4.26 kg

### Parts Included (Cigar shown, Others available)

A. Lamp Shade  
(Cigar Shown, Others available)

B. Shade Support and Base and Mounting  
Screw



**Floor Lamp Shown**

#### Technical

Plastic polymer sprayed over a steel frame. Each Luminaire is supplied with Lotus base and power cord.

#### Cleaning Instructions

The surface can be dusted with a soft dry cloth. To remove dirt or grease, use water with a mild soap and rub gently using a soft white cloth or paper towel.

Do not use solvent-based cleaners or glass cleaners on this product. Please ensure luminaire is turned off during cleaning.

#### Translations

For translated versions of this document please visit the following links:

**UK.** [hermanmiller.co.uk/nelson-bubble-lamps](http://hermanmiller.co.uk/nelson-bubble-lamps)

**FR.** [hermanmiller.fr/nelson-bubble-lamps](http://hermanmiller.fr/nelson-bubble-lamps)

**DE.** [hermanmiller.de/nelson-bubble-lamps](http://hermanmiller.de/nelson-bubble-lamps)

**IT.** [hermanmiller.it/nelson-bubble-lamps](http://hermanmiller.it/nelson-bubble-lamps)

**NL.** [hermanmiller.nl/nelson-bubble-lamps](http://hermanmiller.nl/nelson-bubble-lamps)



**BEFORE YOU BEGIN READ THESE INSTRUCTIONS COMPLETELY AND CAREFULLY.**

**THIS PRODUCT CAN BE MOUNTED WITHIN ARM'S REACH.**

**Save These Instructions**

Use only in the manner intended by the manufacturer. If you have any questions, contact the manufacturer.

**Installation Pre-check**

Ensure the ambient in which the luminaire is to be operated will not exceed the maximum luminaire rating.

Ensure the environment is a dry location.

**RISK OF ELECTRICAL SHOCK!**

Do not operate luminaire with damaged parts.

Turn power off before inspection, installation or removal.

Turn power off when changing lamp.

Warranty VOID if serviced.

## How to assemble your lamp

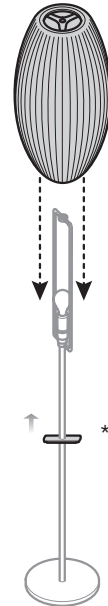
**Step 1:** (Table lamp and Floor lamp steps are the same except where noted)

1.1

After installing a light bulb, lower the lamp shade over the support frame.

1.2

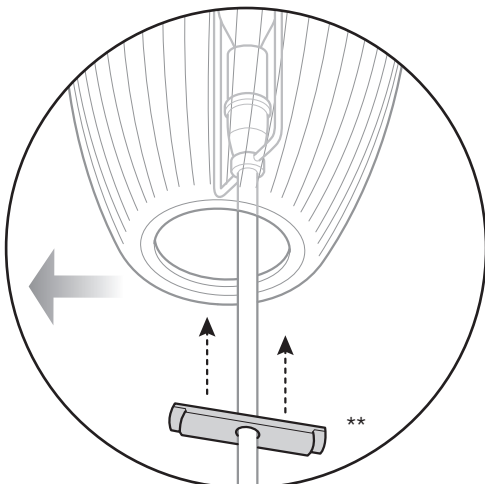
With your free hand, slide the centering cleat up the lamp shaft.



---

### Step 2

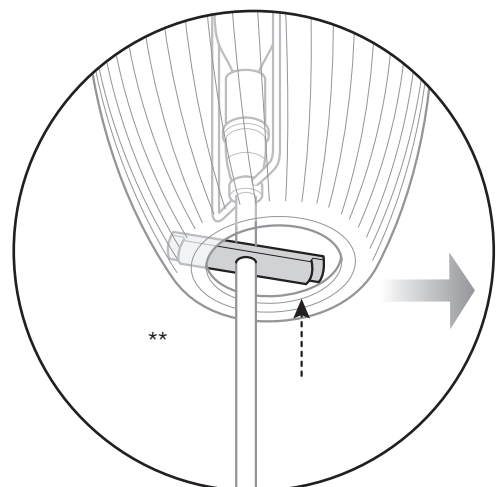
Pivot the shade to the left while you angle the centering cleat through the opening of the shade.



---

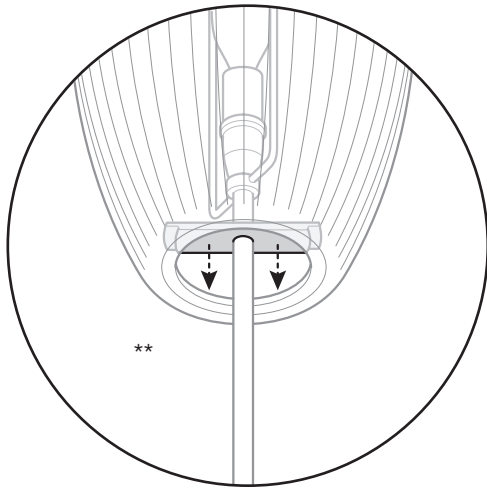
### Step 3

Pivot the shade to the right while you angle the other half of the centering cleat through the shade opening.



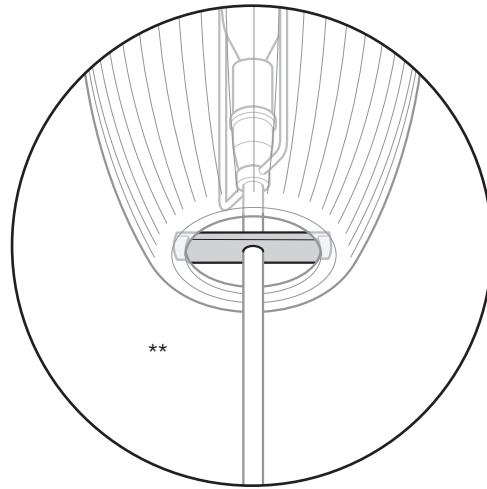
#### Step 4

Once the cleat is fully inside the shade, slide it down the shaft.



#### Step 5

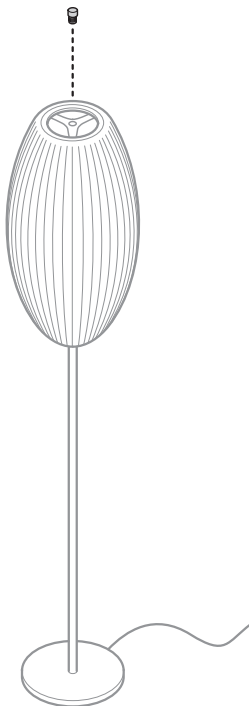
The cleat should be securely centered on the rim of the lamp shade, which prevents it from rocking.



---

#### Step 6

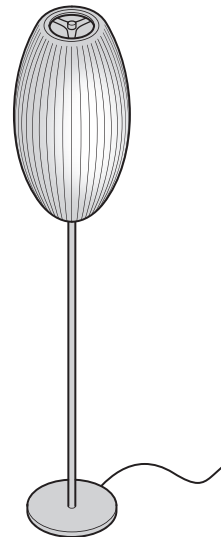
Fasten the lamp shade screw to the threaded hole located at the top of the lamp shade support.




---

#### Step 7

Plug the power cord into an appropriate outlet and enjoy your Nelson Bubble Floor Lamp.



For more information about the care and assembly of this product, please visit [hermanmiller.com/care-and-assembly](http://hermanmiller.com/care-and-assembly).  
HermanMiller and  are among the registered trademarks of Herman Miller, Inc.  
Nelson is among the trademarks of Herman Miller, Inc.  
Printed in USA. Please recycle.  
© 2016 Herman Miller, Inc., Zeeland Michigan. All rights reserved.