



Prices effective April 6, 2026

Published June 2026

# Aeron® Chairs

|   |               |
|---|---------------|
| <b>Introduction</b>   | <b>page 2</b> |
| <b>Aeron® Chairs</b>  | <b>3</b>      |
| Work Chairs   | 5             |
| Stools  | 15            |
| Accessories   | 21            |
| <b>Indices</b>  | <b>29</b>     |
| By Name   | 29            |
| By Number   | 31            |
| <b>Appendices</b>   |               |
| 20-Day or Less/Assigned Lead-Time Order Information   |               |
| Casters and Glides  |               |
| Size/Fit Reference  |               |
| Customer's Own Material/Customer's Own Leather Order Information-Seating  |               |
| <b>For the latest materials information, refer to the Materials pages on <a href="https://www.HermanMiller.com">HermanMiller.com</a>.</b> |               |

# Introduction

## A Note on the Organization of This Book

There are a few signals that will help you understand the organization of this book. Once you know them, you should be able to find your way around easily.

### Like a newspaper, this book is formatted with columns of text and illustrations that run vertically.

Information wraps from one column to the next and continues for as many pages as it needs to.

### Black bars are clues.

A black bar at the top of a page signals the start of information about a product.

This information is divided into two sections, each signaled by a black bar. Product Information includes a description, additional notes, and dimensional drawings. Specification Information, which always begins at the top of a column, includes a series of steps. Each step represents a decision you need to make in order to complete your product number. Steps must be followed sequentially. The number of pages needed to complete information on a product varies; some will be complete in one page; others may fill three or four pages. Just continue going through the steps until you run into the next product, signaled by the black bar at the top of the page.

Black tabs running along the outside edge of the page help you locate what section you are in or what section you want to go to. You can thumb forwards or backwards to find a section; tabs and text appear on both sides of the page.

The additional pages in the back of the book include the appendices and indices. They are signaled by a long black bar running along the outside edge of the page.

### The index is presented two ways.

The first index is in alphabetical order by product name. It can be helpful if you are new to the products and numbering scheme or if you are looking for a type of product, such as work chair or round table.

The second index is by product number. It lists, in alphanumeric order, the base product number, typically a five-digit number.

## General Information

This book is effective April 6, 2026, subject to change without notice. Products may be purchased from authorized Herman Miller dealers who will quote prices upon request. For more information about our products and services or to see a list of dealers, visit [www.HermanMiller.com](http://www.HermanMiller.com).


All prices are list prices. Additional services, such as planning services, design, storage, and installation, are not included and must be added to these prices when the additional services are requested.


Illustrations, specifications, and prices are based on the latest information at the time of publication. The right is reserved to make changes at any time without notice in prices, fabrics, finishes, materials, specifications, and models, and also to discontinue models and finishes.

Dimensions shown in the drawings are engineering drawing dimensions rounded up to the nearest  $\frac{1}{8}$ ". Product is shipped set up or knocked down. Products that include "Shipped knocked down" in the description require some assembly. If this statement does not appear in the description, the product is shipped assembled.

Service problems are normally handled by a Herman Miller authorized dealer. Where this cannot be accomplished on a local level, service problems should be referred to the Customer Care Representative for your region, Herman Miller, Inc., Zeeland, Michigan 49464.

### 20-Day or Less/Assigned Lead-Time Shipments

All products and options in this price book not designated by an Assigned Program icon  will ship in **20 business days or less** after being acknowledged by Herman Miller.

Products and options designated by an  are on the assigned lead-time program and may ship in 20 days, less than 20 days, or more than 20 days from order acknowledgement.

**Work Chairs**

**Stools**

**Accessories**



## Work Chair

AER1A  
AER1B  
AER1C



### Product Information

#### Description

While its iconic form has remained largely unchanged, the Aeron® chair was remastered from the casters up to meet the needs of today's work and workers. With the help of original co-designer, Don Chadwick, we thoughtfully updated the chair based on the latest research around the science of sitting, and advancements in materials, manufacturing, and technology.

The Aeron chair comes in 3 sizes and has a new 8Z Pellicle® material that delivers increased comfort and ergonomic support. Across the seat and back, 8 latitudinal zones of varying tension envelop the sitter, tightest at the edges and more forgiving where the body makes contact. The chair has pneumatic height adjustment and a balanced recline that lets the body naturally pivot at the ankles, knees, and hips.

Tilt options include a tilt limiter that allows the user to select the tilt range to limit the amount of recline; a tilt limiter and seat angle that allows the user to select the tilt range and a horizontal or 5° forward seat angle; or a standard tilt.

Back-support options include adjustable PostureFit® SL, an adjustable lumbar support, and PostureFit. The adjustable PostureFit SL support provides a custom fit in sacral and lumbar regions of the spine that helps achieve healthier posture and improved lower back comfort. The user can fine tune the level of support with an adjustable knob on the PostureFit SL. Arm choices include a fixed, nonadjustable option; a height-adjustable option that moves the arms 4" vertically; a height-adjustable plus pivot option that moves the arms 4" vertically and pivots the armpads 15° outward and 17½° inward; and a fully adjustable option that also allows the armpads to move forward and back.

Aeron is now offered in a range of 4 tightly curated, holistic material expressions: onyx, graphite, carbon, and mineral. Onyx is a unified expression of luxury and strength. Graphite refines Aeron's original color scheme for a crisp, sculptural appearance. Carbon blurs light and dark, and warm and cool, to harmonize with a variety of environments. Mineral illuminates Aeron's finer points to offer a lightness that borders on translucence. Nightfall introduces a refined near-neutral—a timeless statement that balances depth and sophistication with enduring versatility. Jasper offers a biophilic take on a near-neutral, designed for longevity while bringing warmth and a more residential sensibility to contemporary spaces.

#### Notes

To help determine chair size, see Aeron Chair Size/Fit Reference in Appendices.

For information on casters and glides, see Casters and Glides in Appendices.

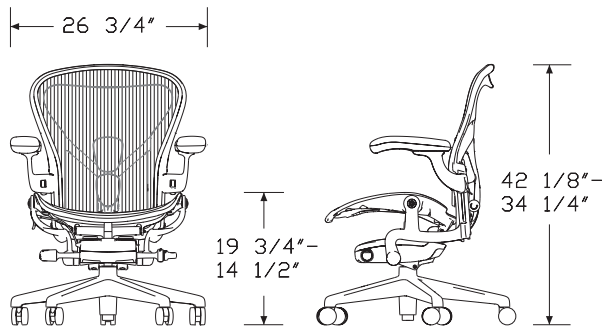
Customer's Own Leather (COL) can be applied to armpads; requires 4 square feet. See Order Information in Appendices.

As with any material or textile, dye transfer may occur on seating surfaces, being more noticeable on lighter color expressions (for example: mineral on Aeron, fog on Mirra® 2). If this is a concern, we recommend selecting a darker color expression on which dye transfer will be less noticeable. As a reminder, dye transfer is not covered under the Herman Miller warranty. MicrobeCare™ is an antimicrobial coating that can be applied to a wide variety of Herman Miller Group surfaces to protect products from mold, mildew, algae, and bacteria that cause deterioration, discoloration, odors, and stains.

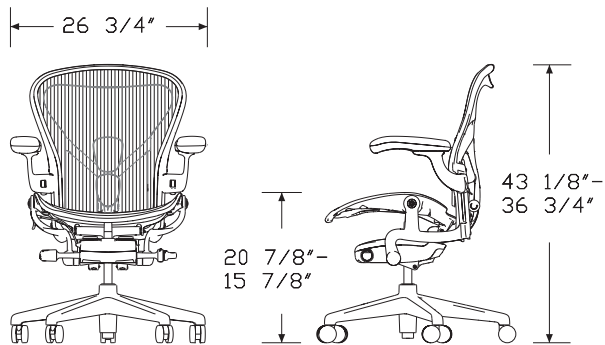
MicrobeCare™ is a US Environmental Protection Agency (EPA) registered nonpublic health antimicrobial.

MicrobeCare™ is applied to the major touchpoints, including the seat, backrest, arms, armrests, frame and adjustment controls.

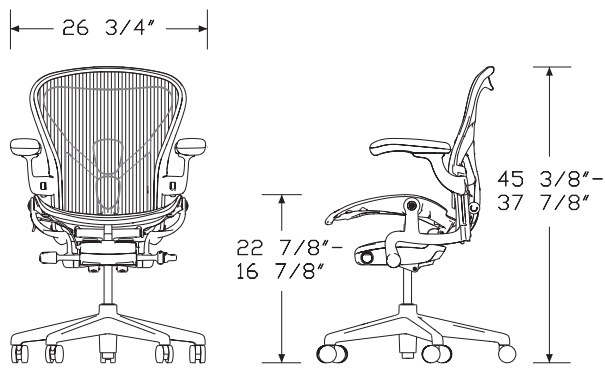
Dimensions



Low Height Range



Standard Height Range



High Height Range

Specification Information

Step 1.

**AER1**

Step 2. Size

|          |        |         |
|----------|--------|---------|
| <b>A</b> | a size | +\$1726 |
| <b>B</b> | b size | +\$1726 |
| <b>C</b> | c size | +\$1726 |

Step 3. Height Adjustment

For a size (A)

|          |                  |      |
|----------|------------------|------|
| <b>1</b> | low-height range | +\$0 |
|----------|------------------|------|

For b size (B)

|          |                       |      |
|----------|-----------------------|------|
| <b>1</b> | low-height range      | +\$0 |
| <b>2</b> | standard-height range | +\$0 |
| <b>3</b> | high-height range     | +\$0 |

For c size (C)

|          |                       |      |
|----------|-----------------------|------|
| <b>2</b> | standard-height range | +\$0 |
| <b>3</b> | high-height range     | +\$0 |

Step 4. Tilt

|          |                             |        |
|----------|-----------------------------|--------|
| <b>1</b> | standard tilt               | +\$0   |
| <b>2</b> | tilt limiter                | +\$100 |
| <b>3</b> | tilt limiter and seat angle | +\$207 |

Step 5. Arms

|          |                                   |        |
|----------|-----------------------------------|--------|
| <b>N</b> | no arms                           | +\$0   |
| <b>P</b> | fixed arms                        | +\$223 |
| <b>H</b> | height-adjustable arms            | +\$321 |
| <b>A</b> | height-adjustable plus pivot arms | +\$473 |
| <b>D</b> | fully adjustable arms             | +\$473 |

Step 6. Armpad Upholstery

For no arms (N)

|          |         |      |
|----------|---------|------|
| <b>N</b> | no arms | +\$0 |
|----------|---------|------|

For fixed arms (P), height-adjustable arms (H), height-adjustable plus pivot arms (A), or fully adjustable arms (D)

|          |                        |        |
|----------|------------------------|--------|
| <b>W</b> | nonupholstered armpads | +\$0   |
| <b>F</b> | leather armpads        | +\$168 |

| Step 7. Back Support Option |                           |       |
|-----------------------------|---------------------------|-------|
| <b>SZS</b>                  | basic back support        | +\$0  |
| <b>ZSS</b>                  | PostureFit®               | +\$45 |
| <b>AJ</b>                   | adjustable lumbar support | +\$65 |
| <b>ALP</b>                  | adjustable posturefit SL  | +\$95 |

**Step 8. Frame Finish**

| For a size (A) or b size (B) |   |        |
|------------------------------|---|--------|
| <b>G1</b>                    | graphite (CP)   | +\$0   |
| <b>CRB</b>                   | carbon (CP)   | +\$85  |
| <b>VPR</b>                   | mineral   | +\$175 |
| <b>BK</b>                    | black   | +\$175 |
| <b>DN2</b>                   | nightfall   | +\$175 |
| <b>DJ2</b>                   | jasper  | +\$175 |
| <b>MG1</b>                   | graphite with MicrobeCare™ <span style="border: 1px solid black; padding: 0 2px;">A</span>  | +\$70  |
| <b>MCR</b>                   | carbon with MicrobeCare™ <span style="border: 1px solid black; padding: 0 2px;">A</span>    | +\$155 |
| <b>MVR</b>                   | mineral with MicrobeCare™ <span style="border: 1px solid black; padding: 0 2px;">A</span>   | +\$245 |
| <b>MBL</b>                   | black with MicrobeCare™ <span style="border: 1px solid black; padding: 0 2px;">A</span>     | +\$200 |
| <b>MN2</b>                   | nightfall with MicrobeCare™ <span style="border: 1px solid black; padding: 0 2px;">A</span> | +\$245 |
| <b>MJ2</b>                   | jasper with MicrobeCare™ <span style="border: 1px solid black; padding: 0 2px;">A</span>    | +\$245 |

| For c size (C) |   |        |
|----------------|---|--------|
| <b>G1</b>      | graphite (CP)   | +\$0   |
| <b>CRB</b>     | carbon (CP)   | +\$85  |
| <b>VPR</b>     | mineral   | +\$175 |
| <b>BK</b>      | black   | +\$175 |
| <b>DN2</b>     | nightfall <span style="border: 1px solid black; padding: 0 2px;">A</span>                   | +\$175 |
| <b>DJ2</b>     | jasper <span style="border: 1px solid black; padding: 0 2px;">A</span>                      | +\$175 |
| <b>MG1</b>     | graphite with MicrobeCare™ <span style="border: 1px solid black; padding: 0 2px;">A</span>  | +\$70  |
| <b>MCR</b>     | carbon with MicrobeCare™ <span style="border: 1px solid black; padding: 0 2px;">A</span>    | +\$155 |
| <b>MVR</b>     | mineral with MicrobeCare™ <span style="border: 1px solid black; padding: 0 2px;">A</span>   | +\$245 |
| <b>MBL</b>     | black with MicrobeCare™ <span style="border: 1px solid black; padding: 0 2px;">A</span>     | +\$200 |
| <b>MN2</b>     | nightfall with MicrobeCare™ <span style="border: 1px solid black; padding: 0 2px;">A</span> | +\$245 |
| <b>MJ2</b>     | jasper with MicrobeCare™ <span style="border: 1px solid black; padding: 0 2px;">A</span>    | +\$245 |

**Step 9. Chassis Finish**

| For a size (A), b size (B), or c size (C) with graphite (CP) (G1), or graphite with MicrobeCare™ (MG1) |   |       |
|--|---|-------|
| <b>G1</b>  | graphite (CP)   | +\$0  |
| <b>CD</b>  | polished aluminum <span style="border: 1px solid black; padding: 0 2px;">A</span> | +\$85 |

| For a size (A), b size (B), or c size (C) |               |      |
|---|---------------|------|
| <b>G1</b>                                 | graphite (CP) | +\$0 |

For a size (A), b size (B), or c size (C) with carbon (CP) (CRB), or carbon with MicrobeCare™ (MCR)

|            |   |       |
|------------|---|-------|
| <b>SNC</b> | satin carbon  | +\$0  |
| <b>CD</b>  | polished aluminum <span style="border: 1px solid black; padding: 0 2px;">A</span> | +\$85 |

For a size (A), b size (B), or c size (C) with mineral (VPR), or mineral with MicrobeCare™ (MVR)

|            |   |       |
|------------|---|-------|
| <b>SNA</b> | satin aluminum  | +\$0  |
| <b>CD</b>  | polished aluminum <span style="border: 1px solid black; padding: 0 2px;">A</span> | +\$85 |

For a size (A), b size (B), or c size (C) with black (BK), or black with MicrobeCare™ (MBL)

|            |                   |       |
|------------|-------------------|-------|
| <b>BLX</b> | onyx ultra matte  | +\$0  |
| <b>CD</b>  | polished aluminum | +\$85 |

For a size (A), b size (B), or c size (C) with nightfall (DN2), or nightfall with MicrobeCare™ (MN2)

|            |   |       |
|------------|---|-------|
| <b>DN2</b> | nightfall   | +\$0  |
| <b>CD</b>  | polished aluminum <span style="border: 1px solid black; padding: 0 2px;">A</span> | +\$85 |

For a size (A), b size (B), or c size (C) with jasper (DJ2), or jasper with MicrobeCare™ (MJ2)

|            |   |       |
|------------|---|-------|
| <b>DJ2</b> | jasper  | +\$0  |
| <b>CD</b>  | polished aluminum <span style="border: 1px solid black; padding: 0 2px;">A</span> | +\$85 |

**Step 10. Base Finish**

For a size (A), b size (B), or c size (C) with graphite (CP) (G1)

|           |   |        |
|-----------|---|--------|
| <b>G1</b> | graphite (CP)   | +\$0   |
| <b>CD</b> | polished aluminum <span style="border: 1px solid black; padding: 0 2px;">A</span> | +\$250 |

For a size (A), b size (B), or c size (C) with graphite (CP) (G1)

|           |                   |        |
|-----------|-------------------|--------|
| <b>G1</b> | graphite (CP)     | +\$0   |
| <b>CD</b> | polished aluminum | +\$250 |

For a size (A), b size (B), or c size (C) with polished aluminum (CD)

|           |   |        |
|-----------|---|--------|
| <b>CD</b> | polished aluminum <span style="border: 1px solid black; padding: 0 2px;">A</span> | +\$250 |
|-----------|---|--------|

For a size (A), b size (B), or c size (C) with satin carbon (SNC)

|            |   |        |
|------------|---|--------|
| <b>DCR</b> | dark carbon   | +\$0   |
| <b>SNC</b> | satin carbon  | +\$80  |
| <b>CD</b>  | polished aluminum <span style="border: 1px solid black; padding: 0 2px;">A</span> | +\$250 |

For a size (A), b size (B), or c size (C) with polished aluminum (CD)

|           |   |        |
|-----------|---|--------|
| <b>CD</b> | polished aluminum <span style="border: 1px solid black; padding: 0 2px;">A</span> | +\$250 |
|-----------|---|--------|

|  |   |        |
|--|---|--------|
| <i>For a size (A), b size (B), or c size (C) with satin aluminum (SNA)</i> |   |        |
| <b>DVP</b>   | dark mineral  | +\$0   |
| <b>SNA</b>   | satin aluminum  | +\$150 |
| <b>CD</b>  | polished aluminum <span style="border: 1px solid black; padding: 0 2px;">A</span> | +\$250 |

|  |   |        |
|--|---|--------|
| <i>For a size (A), b size (B), or c size (C) with polished aluminum (CD)</i> |   |        |
| <b>CD</b>  | polished aluminum <span style="border: 1px solid black; padding: 0 2px;">A</span> | +\$250 |

|  |                   |        |
|--|-------------------|--------|
| <i>For a size (A), b size (B), or c size (C) with onyx ultra matte (BLX)</i> |                   |        |
| <b>BK</b>  | black             | +\$0   |
| <b>BLX</b>   | onyx ultra matte  | +\$150 |
| <b>CD</b>  | polished aluminum | +\$250 |

|  |   |        |
|--|---|--------|
| <i>For a size (A), b size (B), or c size (C) with polished aluminum (CD)</i> |   |        |
| <b>CD</b>  | polished aluminum <span style="border: 1px solid black; padding: 0 2px;">A</span> | +\$250 |

|   |   |        |
|---|---|--------|
| <i>For a size (A), b size (B), or c size (C) with nightfall (DN2)</i> |   |        |
| <b>DN2</b>  | nightfall   | +\$150 |
| <b>CD</b>   | polished aluminum <span style="border: 1px solid black; padding: 0 2px;">A</span> | +\$250 |

|  |   |        |
|--|---|--------|
| <i>For a size (A), b size (B), or c size (C) with polished aluminum (CD)</i> |   |        |
| <b>CD</b>  | polished aluminum <span style="border: 1px solid black; padding: 0 2px;">A</span> | +\$250 |

|  |   |        |
|--|---|--------|
| <i>For a size (A), b size (B), or c size (C) with jasper (DJ2)</i> |   |        |
| <b>DJ2</b>   | jasper  | +\$150 |
| <b>CD</b>  | polished aluminum <span style="border: 1px solid black; padding: 0 2px;">A</span> | +\$250 |

|  |   |        |
|--|---|--------|
| <i>For a size (A), b size (B), or c size (C) with polished aluminum (CD)</i> |   |        |
| <b>CD</b>  | polished aluminum <span style="border: 1px solid black; padding: 0 2px;">A</span> | +\$250 |

|  |  |       |
|--|--|-------|
| <b>Step 11. Casters/Glides</b>   |  |       |
| <i>For black (BK), onyx ultra matte (BLX), polished aluminum (CD), dark carbon (DCR), jasper (DJ2), nightfall (DN2), dark mineral (DVP), graphite (CP) (G1), satin aluminum (SNA), or satin carbon (SNC)</i> |  |       |
| <b>BB</b>  | 2½" hard caster, black yoke, carpet only   | +\$0  |
| <b>GF</b>  | 2½" glide, hard floors or carpet   | +\$25 |
| <b>C7</b>  | 2½" caster, black yoke, hard floors or carpet                                    | +\$50 |
| <b>DC1</b>   | 2½" braking caster, black yoke, hard floors or carpet with quiet roll technology | +\$75 |

|  |       |      |
|--|-------|------|
| <b>Step 12. Armpad Finish</b>  |       |      |
| <i>For a size (A), b size (B), or c size (C) with nonupholstered armpads (W) with graphite (CP) (G1), or black (BK), or graphite with MicrobeCare™ (MG1), or black with MicrobeCare™ (MBL)</i> |       |      |
| <b>BK</b>  | black | +\$0 |

|   |              |      |
|---|--------------|------|
| <i>For a size (A), b size (B), or c size (C) with nonupholstered armpads (W) with mineral (VPR), or mineral with MicrobeCare™ (MVR)</i> |              |      |
| <b>DVP</b>  | dark mineral | +\$0 |

|  |             |      |
|--|-------------|------|
| <i>For a size (A), b size (B), or c size (C) with nonupholstered armpads (W) with carbon (CP) (CRB), or carbon with MicrobeCare™ (MCR)</i> |             |      |
| <b>DCR</b>   | dark carbon | +\$0 |

|   |                |      |
|---|----------------|------|
| <i>For a size (A), b size (B), or c size (C) with nonupholstered armpads (W) with nightfall (DN2), or nightfall with MicrobeCare™ (MN2)</i> |                |      |
| <b>DN4</b>  | dark nightfall | +\$0 |

|   |             |      |
|---|-------------|------|
| <i>For a size (A), b size (B), or c size (C) with nonupholstered armpads (W) with jasper (DJ2), or jasper with MicrobeCare™ (MJ2)</i> |             |      |
| <b>DJ4</b>  | dark jasper | +\$0 |

**Step 13. 8Z Pellicle**

|   |  |      |
|---|--|------|
| <i>For a size (A), b size (B), or c size (C) with graphite (CP) (G1), or graphite with MicrobeCare™ (MG1)</i> |  |      |
| Price Category 1  |  | +\$0 |

|   |  |      |
|---|--|------|
| <i>For a size (A), b size (B), or c size (C) with mineral (VPR), or mineral with MicrobeCare™ (MVR)</i> |  |      |
| Price Category 1  |  | +\$0 |

|  |  |      |
|--|--|------|
| <i>For a size (A), b size (B), or c size (C) with carbon (CP) (CRB), or carbon with MicrobeCare™ (MCR)</i> |  |      |
| Price Category 1   |  | +\$0 |

|  |  |      |
|--|--|------|
| <i>For a size (A), b size (B), or c size (C) with black (BK), or black with MicrobeCare™ (MBL)</i> |  |      |
| Price Category 1   |  | +\$0 |

|   |  |      |
|---|--|------|
| <i>For a size (A), b size (B), or c size (C) with nightfall (DN2), or nightfall with MicrobeCare™ (MN2)</i> |  |      |
| Price Category 1  |  | +\$0 |

|   |  |      |
|---|--|------|
| <i>For a size (A), b size (B), or c size (C) with jasper (DJ2), or jasper with MicrobeCare™ (MJ2)</i> |  |      |
| Price Category 1  |  | +\$0 |

|  |  |       |
|--|--|-------|
| <b>Step 14. Armpad Leather</b>   |  |       |
| <i>For leather armpads (F)</i>   |  |       |
| Price Category 7 <span style="border: 1px solid black; padding: 0 2px;">A</span> |  | +\$0  |
| Price Category 9   |  | +\$90 |

## Work Chair, Ready to Assemble

AER2A  
AER2B  
AER2C



### Product Information

#### Description

While its iconic form has remained largely unchanged, the Aeron® chair was remastered from the casters up to meet the needs of today's work and workers. With the help of original co-designer, Don Chadwick, we thoughtfully updated the chair based on the latest research around the science of sitting, and advancements in materials, manufacturing, and technology.

The Aeron chair comes in 3 sizes and has a new 8Z Pellicle® material that delivers increased comfort and ergonomic support. Across the seat and back, 8 latitudinal zones of varying tension envelop the sitter, tightest at the edges and more forgiving where the body makes contact. The chair has pneumatic height adjustment and a balanced recline that lets the body naturally pivot at the ankles, knees, and hips. Chair components are packaged and shipped ready to assemble.

Tilt options include a tilt limiter that allows the user to select the tilt range to limit the amount of recline; a tilt limiter and seat angle that allows the user to select the tilt range and a horizontal or 5° forward seat angle; or a standard tilt.

Back-support options include adjustable PostureFit® SL, an adjustable lumbar support, and PostureFit. The adjustable PostureFit SL support provides a custom fit in sacral and lumbar regions of the spine that helps achieve healthier posture and improved lower back comfort. The user can fine tune the level of support with an adjustable knob on the PostureFit SL.

Arm choices include a fixed, nonadjustable option; a height-adjustable option that moves the arms 4" vertically; a height-adjustable plus pivot option that moves the arms 4" vertically and pivots the armpads 15° outward and 17½° inward; and a fully adjustable option that also allows the armpads to move forward and back.

Aeron is now offered in a range of 4 tightly curated, holistic material expressions: onyx, graphite, carbon, and mineral. Onyx is a unified expression of luxury and strength. Graphite refines Aeron's original color scheme for a crisp, sculptural appearance. Carbon blurs light and dark, and warm and cool, to harmonize with a variety of environments. Mineral illuminates Aeron's finer points to offer a lightness that borders on translucence. Nightfall introduces a refined near-neutral—a timeless statement that balances depth and sophistication with enduring versatility. Jasper offers a biophilic take on a near-neutral, designed for longevity while bringing warmth and a more residential sensibility to contemporary spaces.

#### Notes

To help determine chair size, see Aeron Chair Size/Fit Reference in Appendices.

For information on casters and glides, see Casters and Glides in Appendices.

Customer's Own Leather (COL) can be applied to armpads; requires 4 square feet. See Order Information in Appendices.

Note: As with any material or textile, dye transfer may occur on seating surfaces, being more noticeable on lighter color expressions (for example: mineral on Aeron, fog on Mirra® 2). If this is a concern, we recommend selecting a darker color expression on which dye transfer will be less noticeable. As a reminder, dye transfer is not covered under the Herman Miller warranty.

MicrobeCare™ is an antimicrobial coating that can be applied to a wide variety of Herman Miller Group surfaces to protect products from mold, mildew, algae, and bacteria that cause deterioration, discoloration, odors, and stains.

MicrobeCare™ is a US Environmental Protection Agency (EPA) registered nonpublic health antimicrobial.

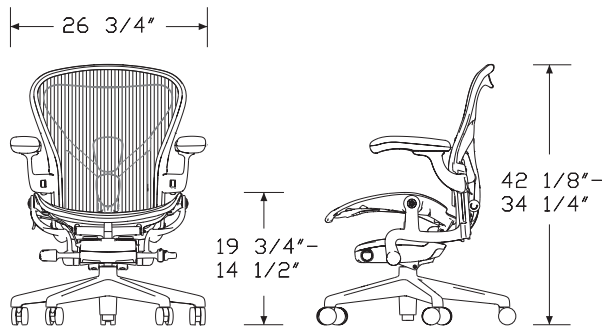
MicrobeCare™ is applied to the major touchpoints, including the seat, backrest, arms, armrests, frame and adjustment controls.

# Work Chair, Ready to Assemble

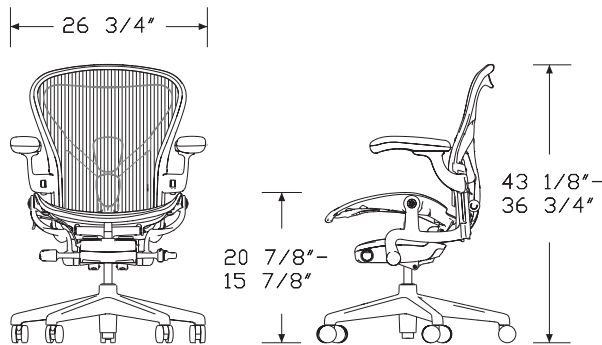
continued

Aeron® Work Chairs

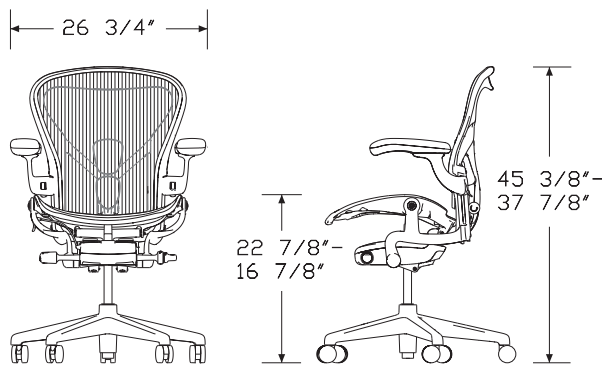
## Dimensions



Low Height Range



Standard Height Range



High Height Range

## Specification Information

### Step 1.

**AER2**

### Step 2. Size

|          |        |         |
|----------|--------|---------|
| <b>A</b> | a size | +\$1726 |
| <b>B</b> | b size | +\$1726 |
| <b>C</b> | c size | +\$1726 |

### Step 3. Height Adjustment

#### For a size (A)

|          |                  |      |
|----------|------------------|------|
| <b>1</b> | low-height range | +\$0 |
|----------|------------------|------|

#### For b size (B)

|          |                       |      |
|----------|-----------------------|------|
| <b>1</b> | low-height range      | +\$0 |
| <b>2</b> | standard-height range | +\$0 |
| <b>3</b> | high-height range     | +\$0 |

#### For c size (C)

|          |                       |      |
|----------|-----------------------|------|
| <b>2</b> | standard-height range | +\$0 |
| <b>3</b> | high-height range     | +\$0 |

### Step 4. Tilt

|          |                             |        |
|----------|-----------------------------|--------|
| <b>1</b> | standard tilt               | +\$0   |
| <b>2</b> | tilt limiter                | +\$100 |
| <b>3</b> | tilt limiter and seat angle | +\$207 |

### Step 5. Arms

|          |                                   |        |
|----------|-----------------------------------|--------|
| <b>N</b> | no arms                           | +\$0   |
| <b>P</b> | fixed arms                        | +\$223 |
| <b>H</b> | height-adjustable arms            | +\$321 |
| <b>A</b> | height-adjustable plus pivot arms | +\$473 |
| <b>D</b> | fully adjustable arms             | +\$473 |

### Step 6. Armpad Upholstery

#### For no arms (N)

|          |         |      |
|----------|---------|------|
| <b>N</b> | no arms | +\$0 |
|----------|---------|------|

#### For fixed arms (P), height-adjustable arms (H), height-adjustable plus pivot arms (A), or fully adjustable arms (D)

|          |                        |        |
|----------|------------------------|--------|
| <b>W</b> | nonupholstered armpads | +\$0   |
| <b>F</b> | leather armpads        | +\$168 |

# Work Chair, Ready to Assemble

continued

| Step 7. Back Support Option |                           |       |
|-----------------------------|---------------------------|-------|
| <b>SZS</b>                  | basic back support        | +\$0  |
| <b>ZSS</b>                  | PostureFit®               | +\$45 |
| <b>AJ</b>                   | adjustable lumbar support | +\$65 |
| <b>ALP</b>                  | adjustable posturefit SL  | +\$95 |

| Step 8. Frame Finish |               |        |
|----------------------|---------------|--------|
| <b>G1</b>            | graphite (CP) | +\$0   |
| <b>CRB</b>           | carbon (CP)   | +\$85  |
| <b>VPR</b>           | mineral       | +\$175 |
| <b>BK</b>            | black         | +\$175 |
| <b>DN2</b>           | nightfall     | +\$175 |
| <b>DJ2</b>           | jasper        | +\$175 |

| Step 9. Chassis Finish   |                            |       |
|--|----------------------------|-------|
| <i>For a size (A), b size (B), or c size (C) with graphite (CP) (G1)</i> |                            |       |
| <b>G1</b>  | graphite (CP)              | +\$0  |
| <b>CD</b>  | polished aluminum <b>A</b> | +\$85 |
| <i>For a size (A), b size (B), or c size (C)</i>                         |                            |       |
| <b>G1</b>  | graphite (CP)              | +\$0  |
| <i>For a size (A), b size (B), or c size (C) with carbon (CP) (CRB)</i>  |                            |       |
| <b>SNC</b>   | satin carbon               | +\$0  |
| <b>CD</b>  | polished aluminum <b>A</b> | +\$85 |
| <i>For a size (A), b size (B), or c size (C) with mineral (VPR)</i>      |                            |       |
| <b>SNA</b>   | satin aluminum             | +\$0  |
| <b>CD</b>  | polished aluminum <b>A</b> | +\$85 |
| <i>For a size (A), b size (B), or c size (C) with black (BK)</i>         |                            |       |
| <b>BLX</b>   | onyx ultra matte           | +\$0  |
| <b>CD</b>  | polished aluminum          | +\$85 |
| <i>For a size (A), b size (B), or c size (C) with nightfall (DN2)</i>    |                            |       |
| <b>DN2</b>   | nightfall                  | +\$0  |
| <b>CD</b>  | polished aluminum <b>A</b> | +\$85 |
| <i>For a size (A), b size (B), or c size (C) with jasper (DJ2)</i>       |                            |       |
| <b>DJ2</b>   | jasper                     | +\$0  |
| <b>CD</b>  | polished aluminum <b>A</b> | +\$85 |

| Step 10. Base Finish   |                            |        |
|--|----------------------------|--------|
| <i>For a size (A), b size (B), or c size (C) with graphite (CP) (G1)</i>     |                            |        |
| <b>G1</b>  | graphite (CP)              | +\$0   |
| <b>CD</b>  | polished aluminum <b>A</b> | +\$250 |
| <i>For a size (A), b size (B), or c size (C) with graphite (CP) (G1)</i>     |                            |        |
| <b>G1</b>  | graphite (CP)              | +\$0   |
| <b>CD</b>  | polished aluminum          | +\$250 |
| <i>For a size (A), b size (B), or c size (C) with polished aluminum (CD)</i> |                            |        |
| <b>CD</b>  | polished aluminum <b>A</b> | +\$250 |
| <i>For a size (A), b size (B), or c size (C) with satin carbon (SNC)</i>     |                            |        |
| <b>DCR</b>   | dark carbon                | +\$0   |
| <b>SNC</b>   | satin carbon               | +\$80  |
| <b>CD</b>  | polished aluminum <b>A</b> | +\$250 |
| <i>For a size (A), b size (B), or c size (C) with polished aluminum (CD)</i> |                            |        |
| <b>CD</b>  | polished aluminum <b>A</b> | +\$250 |
| <i>For a size (A), b size (B), or c size (C) with satin aluminum (SNA)</i>   |                            |        |
| <b>DVP</b>   | dark mineral               | +\$0   |
| <b>SNA</b>   | satin aluminum             | +\$150 |
| <b>CD</b>  | polished aluminum <b>A</b> | +\$250 |
| <i>For a size (A), b size (B), or c size (C) with polished aluminum (CD)</i> |                            |        |
| <b>CD</b>  | polished aluminum <b>A</b> | +\$250 |
| <i>For a size (A), b size (B), or c size (C) with onyx ultra matte (BLX)</i> |                            |        |
| <b>BK</b>  | black                      | +\$0   |
| <b>BLX</b>   | onyx ultra matte           | +\$150 |
| <b>CD</b>  | polished aluminum          | +\$250 |
| <i>For a size (A), b size (B), or c size (C) with polished aluminum (CD)</i> |                            |        |
| <b>CD</b>  | polished aluminum <b>A</b> | +\$250 |
| <i>For a size (A), b size (B), or c size (C) with nightfall (DN2)</i>        |                            |        |
| <b>DN2</b>   | nightfall                  | +\$150 |
| <b>CD</b>  | polished aluminum <b>A</b> | +\$250 |
| <i>For a size (A), b size (B), or c size (C) with polished aluminum (CD)</i> |                            |        |
| <b>CD</b>  | polished aluminum <b>A</b> | +\$250 |
| <i>For a size (A), b size (B), or c size (C) with jasper (DJ2)</i>           |                            |        |
| <b>DJ2</b>   | jasper                     | +\$150 |
| <b>CD</b>  | polished aluminum <b>A</b> | +\$250 |

# Work Chair, Ready to Assemble

continued

Aeron® Work Chairs

For a size (A), b size (B), or c size (C) with polished aluminum (CD)  
**CD** polished aluminum  A +\$250

Step 11. Casters/Glides  
 For black (BK), onyx ultra matte (BLX), polished aluminum (CD), dark carbon (DCR), jasper (DJ2), nightfall (DN2), dark mineral (DVP), graphite (CP) (G1), satin aluminum (SNA), or satin carbon (SNC)

**BB** 2½" hard caster, black yoke, carpet only +\$0  
**GF** 2½" glide, hard floors or carpet +\$25  
**C7** 2½" caster, black yoke, hard floors or carpet +\$50  
**DC1** 2½" braking caster, black yoke, hard floors or carpet with quiet roll technology +\$75

Step 12. Armpad Finish

For a size (A), b size (B), or c size (C) with nonupholstered armpads (W) with graphite (CP) (G1), or black (BK)  
**BK** black +\$0

For a size (A), b size (B), or c size (C) with nonupholstered armpads (W) with mineral (VPR)  
**DVP** dark mineral +\$0

For a size (A), b size (B), or c size (C) with nonupholstered armpads (W) with carbon (CP) (CRB)  
**DCR** dark carbon +\$0

For a size (A), b size (B), or c size (C) with nonupholstered armpads (W) with nightfall (DN2)  
**DN4** dark nightfall +\$0

For a size (A), b size (B), or c size (C) with nonupholstered armpads (W) with jasper (DJ2)  
**DJ4** dark jasper +\$0

Step 13. 8Z Pellicle

For a size (A), b size (B), or c size (C) with graphite (CP) (G1)  
 Price Category 1 +\$0

For a size (A), b size (B), or c size (C) with mineral (VPR)  
 Price Category 1 +\$0

For a size (A), b size (B), or c size (C) with carbon (CP) (CRB)  
 Price Category 1 +\$0

For a size (A), b size (B), or c size (C) with black (BK)  
 Price Category 1 +\$0

For a size (A), b size (B), or c size (C) with nightfall (DN2)  
 Price Category 1 +\$0

For a size (A), b size (B), or c size (C) with jasper (DJ2)  
 Price Category 1 +\$0

Step 14. Armpad Leather  
 For leather armpads (F)  
 Price Category 7  A +\$0  
 Price Category 9 +\$90



**Product Information**

**Description**

While its iconic form has remained largely unchanged, the Aeron® chair was remastered from the casters up to meet the needs of today's work and workers. With the help of original co-designer, Don Chadwick, we thoughtfully updated the chair based on the latest research around the science of sitting, and advancements in materials, manufacturing, and technology.

The Aeron ESD work chair comes in 2 sizes and has a new 8Z Pellicle® anti-static material that delivers increased comfort and ergonomic support. Across the seat and back, 8 latitudinal zones of varying tension envelop the sitter, tightest at the edges and more forgiving where the body makes contact. The chair has pneumatic height adjustment and a balanced recline that lets the body naturally pivot at the ankles, knees, and hips.

Tilt options include a tilt limiter that allows the user to select the tilt range to limit the amount of recline; a tilt limiter and seat angle that allows the user to select the tilt range and a horizontal or 5° forward seat angle; or a standard tilt.

Back-support options include adjustable PostureFit® SL, an adjustable lumbar support, and PostureFit. The adjustable PostureFit SL support provides a custom fit in sacral and lumbar regions of the spine that helps achieve healthier posture and improved lower back comfort. The user can fine tune the level of support with an adjustable knob on the PostureFit SL. Arm choices include a fixed, nonadjustable option, and a height-adjustable option that moves the arms 4" vertically.

Armrests are upholstered with a static-dissipating material.

Casters have ESD functionality.

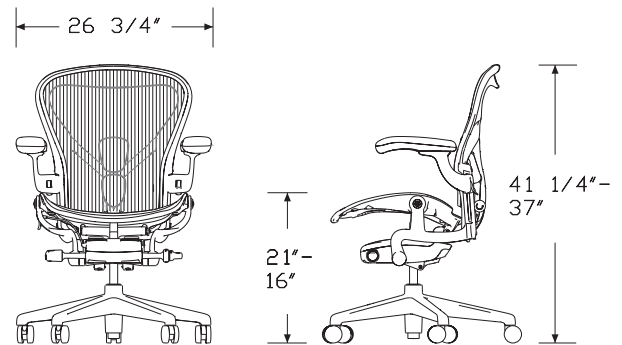
**Notes**

To help determine chair size, see Aeron Chair Size/Fit Reference in Appendices.

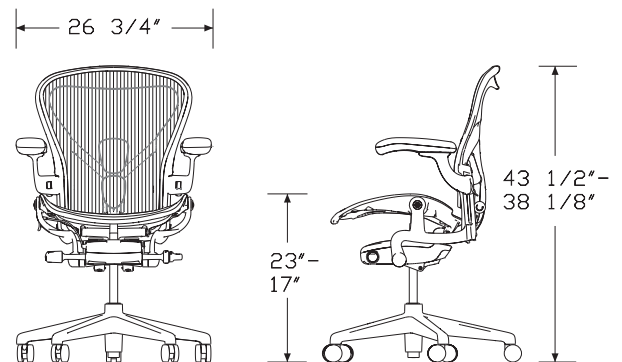
For information on casters and glides, see Casters and Glides in Appendices.

As with any material or textile, dye transfer may occur on seating surfaces, being more noticeable on lighter color expressions (for example: mineral on Aeron, fog on Mirra® 2). If this is a concern, we recommend selecting a darker color expression on which dye transfer will be less noticeable. As a reminder, dye transfer is not covered under the Herman Miller warranty.

**Dimensions**



Standard Height Range



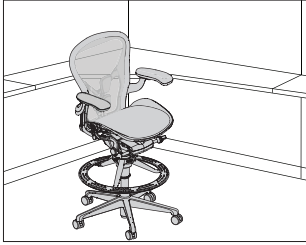
High Height Range

| Specification Information                               |                             |         |
|---|-----------------------------|---------|
| Step 1.   |                             |         |
| <b>AERE1</b>  |                             |         |
| Step 2. Size  |                             |         |
| <b>B</b>  | b size                      | +\$2117 |
| <b>C</b>  | c size                      | +\$2117 |
| Step 3. Height Adjustment                               |                             |         |
| <i>For b size (B)</i>                                   |                             |         |
| <b>2</b>  | standard-height range       | +\$0    |
| <b>3</b>  | high-height range           | +\$0    |
| <i>For c size (C)</i>                                   |                             |         |
| <b>3</b>  | high-height range           | +\$0    |
| Step 4. Tilt  |                             |         |
| <b>1</b>  | standard tilt               | +\$0    |
| <b>2</b>  | tilt limiter                | +\$100  |
| <b>3</b>  | tilt limiter and seat angle | +\$207  |
| Step 5. Arms  |                             |         |
| <b>N</b>  | no arms                     | +\$0    |
| <b>P</b>  | fixed arms                  | +\$223  |
| <b>H</b>  | height-adjustable arms      | +\$321  |
| Step 6. Armpad Upholstery                               |                             |         |
| <i>For no arms (N)</i>                                  |                             |         |
| <b>N</b>  | no arms                     | +\$0    |
| <i>For fixed arms (P) or height-adjustable arms (H)</i> |                             |         |
| <b>F</b>  | leather armpads             | +\$181  |
| Step 7. Back Support Option                             |                             |         |
| <b>SZS</b>  | basic back support          | +\$0    |
| <b>AJ</b>   | adjustable lumbar support   | +\$65   |
| <b>ALP</b>  | adjustable posturefit SL    | +\$95   |
| Step 8. Frame Finish                                    |                             |         |
| <b>G1</b>   | graphite (CP)               | +\$0    |
| Step 9. Chassis Finish                                  |                             |         |
| <b>G1</b>   | graphite (CP)               | +\$0    |

|  |                      |        |
|--|----------------------|--------|
| Step 10. Base Finish   |                      |        |
| <b>CD</b>  | polished aluminum    | +\$250 |
| Step 11. Casters/Glides  |                      |        |
| <b>ESD</b>   | 2½" caster, 65mm ESD | +\$0   |
| Step 12. 8Z Pellicle   |                      |        |
| Price Category 1   |                      | +\$0   |
| Step 13. Armpad Leather  |                      |        |
| <i>For fixed arms (P) or height-adjustable arms (H) with leather armpads (F)</i> |                      |        |
| Price Category 9   |                      | +\$90  |

## Work Stool

AER71  
AER72



### Product Information

#### Description

While its iconic form has remained largely unchanged, the Aeron® chair and work stool were remastered from the casters up to meet the needs of today's work and workers. With the help of original co-designer, Don Chadwick, we thoughtfully updated the chair and work stool based on the latest research around the science of sitting, and advancements in materials, manufacturing, and technology.

The Aeron stool has a new 8Z Pellicle® material that delivers increased comfort and ergonomic support. Across the seat and back, 8 latitudinal zones of varying tension envelop the sitter, tightest at the edges and more forgiving where the body makes contact. The work stool has a 2½"-wide footrest platform that provides three times more surface area than a typical footrest to reduce pressure and increase comfort. Non-slip treads offer added stability. When adjusting stool height, the footrest moves with the seat.

The stool has a 5-star base, pneumatic seat-height adjustment, and 2 height options to allow stool use with counter or bar height surfaces. The low stool has a seat-height range of 24¾" to 29¼" with a footrest that adjusts 2½" (from 15" to 17½" below the seat) and is optimal for work surfaces between 34" and 38" high. The high stool has a seat-height range of 28" to 34¼" with a footrest that adjusts 5¾" (from 15" to 20¾" below the seat) and is optimal for work surfaces between 37" and 43" high. Stool is available in size B.

Tilt options include a tilt limiter that allows the user to select the tilt range to limit the amount of recline; a tilt limiter and seat angle that allows the user to select the tilt range and a horizontal or 5° forward seat angle; or a standard tilt.

Back-support options include adjustable PostureFit® SL, an adjustable lumbar support, and PostureFit. The adjustable PostureFit SL support provides a custom fit in sacral and lumbar regions of the spine that helps achieve healthier posture and improved lower back comfort. The user can fine tune the level of support with an adjustable knob on the PostureFit SL. Arm choices include a fixed, nonadjustable option; a height-adjustable option that moves the arms 4" vertically; a height-adjustable plus pivot option that moves the arms 4" vertically and pivots the armrests 15° outward and 17½° inward; and a fully adjustable option that also allows the armrests to move forward and back.

Aeron is now offered in a range of 4 tightly curated, holistic material expressions: onyx, graphite, carbon, and mineral. Onyx is a unified expression of luxury and strength. Graphite refines Aeron's original color scheme for a crisp, sculptural appearance. Carbon blurs light and dark, and warm and cool, to harmonize with a variety of environments. Mineral illuminates Aeron's finer points to offer a lightness that borders on translucence.

#### Notes

For information on casters and glides, see Casters and Glides in

#### Appendices.

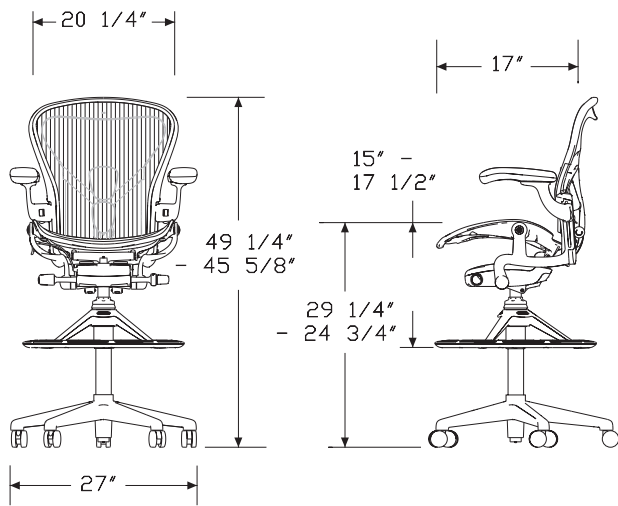
Customer's Own Leather (COL) can be applied to armrests; requires 4 square feet. See Order Information in Appendices.

As with any material or textile, dye transfer may occur on seating surfaces, being more noticeable on lighter color expressions (for example: mineral on Aeron, fog on Mirra® 2). If this is a concern, we recommend selecting a darker color expression on which dye transfer will be less noticeable. As a reminder, dye transfer is not covered under the Herman Miller warranty. MicrobeCare™ is an antimicrobial coating that can be applied to a wide variety of Herman Miller Group surfaces to protect products from mold, mildew, algae, and bacteria that cause deterioration, discoloration, odors, and stains.

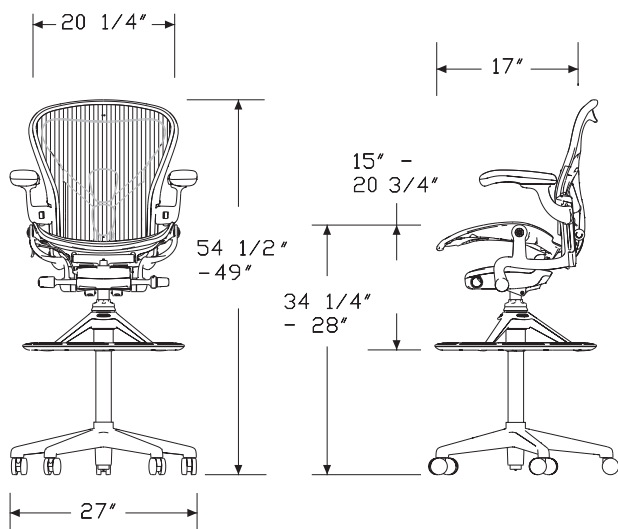
MicrobeCare™ is a US Environmental Protection Agency (EPA) registered nonpublic health antimicrobial.

MicrobeCare™ is applied to the major touchpoints, including the seat, backrest, arms, armrests, frame and adjustment controls.

**Dimensions**



Low Stool



High Stool

**Specification Information**

|  |   |         |
|--|---|---------|
| <b>Step 1.</b>   |   |         |
| <b>AER7</b>  |   |         |
| <b>Step 2. Height</b>  |   |         |
| 1  | low   | +\$2212 |
| 2  | high  | +\$2212 |
| <b>Step 3. Tilt</b>  |   |         |
| 1  | standard tilt   | +\$0    |
| 2  | tilt limiter  | +\$100  |
| 3  | tilt limiter and seat angle                           | +\$207  |
| <b>Step 4. Arms</b>  |   |         |
| N  | no arms   | +\$0    |
| P  | fixed arms  | +\$223  |
| H  | height-adjustable arms                                | +\$321  |
| A  | height-adjustable plus pivot arms                     | +\$473  |
| D  | fully adjustable arms                                 | +\$473  |
| <b>Step 5. Armpad Upholstery</b>   |   |         |
| <i>For no arms (N)</i>   |   |         |
| N  | no arms   | +\$0    |
| <i>For fixed arms (P), height-adjustable arms (H), height-adjustable plus pivot arms (A), or fully adjustable arms (D)</i> |   |         |
| W  | nonupholstered armpads                                | +\$0    |
| F  | leather armpads                                       | +\$181  |
| <b>Step 6. Back Support Option</b>   |   |         |
| SZS  | basic back support                                    | +\$0    |
| ZSS  | PostureFit®   | +\$45   |
| AJ   | adjustable lumbar support                             | +\$65   |
| ALP  | adjustable posturefit SL                              | +\$95   |
| <b>Step 7. Frame/Foot Ring Tread</b>   |   |         |
| BK   | black   | +\$175  |
| MBL  | black with MicrobeCare™                               | +\$200  |
| G1   | graphite (CP)   | +\$0    |
| CRB  | carbon (CP)   | +\$85   |
| VPR  | mineral   | +\$175  |
| MG1  | graphite with MicrobeCare™ <input type="checkbox"/> A | +\$70   |
| MCR  | carbon with MicrobeCare™ <input type="checkbox"/> A   | +\$155  |
| MVR  | mineral with MicrobeCare™ <input type="checkbox"/> A  | +\$245  |

Work Stool *continued*

Step 8. Chassis & Foot Ring

For low (1) or high (2) with graphite (CP) (G1), or graphite with MicrobeCare™ (MG1)

|           |                   |       |
|-----------|-------------------|-------|
| <b>G1</b> | graphite (CP)     | +\$0  |
| <b>CD</b> | polished aluminum | +\$85 |

For low (1) or high (2)

|           |               |      |
|-----------|---------------|------|
| <b>G1</b> | graphite (CP) | +\$0 |
|-----------|---------------|------|

For low (1) or high (2) with carbon (CP) (CRB), or carbon with MicrobeCare™ (MCR)

|            |                   |       |
|------------|-------------------|-------|
| <b>SNC</b> | satın carbon      | +\$0  |
| <b>CD</b>  | polished aluminum | +\$85 |

For low (1) or high (2) with mineral (VPR), or mineral with MicrobeCare™ (MVR)

|            |                   |       |
|------------|-------------------|-------|
| <b>SNA</b> | satın aluminum    | +\$0  |
| <b>CD</b>  | polished aluminum | +\$85 |

For low (1) or high (2) with black (BK), or black with MicrobeCare™ (MBL)

|            |                   |       |
|------------|-------------------|-------|
| <b>BLX</b> | onyx ultra matte  | +\$0  |
| <b>CD</b>  | polished aluminum | +\$85 |

Step 9. Base Finish

For graphite (CP) (G1)

|           |                   |        |
|-----------|-------------------|--------|
| <b>G1</b> | graphite (CP)     | +\$0   |
| <b>CD</b> | polished aluminum | +\$250 |

For polished aluminum (CD)

|           |   |        |
|-----------|---|--------|
| <b>CD</b> | polished aluminum <span style="border: 1px solid black; padding: 0 2px;">A</span> | +\$250 |
|-----------|---|--------|

For satin carbon (SNC)

|            |                   |        |
|------------|-------------------|--------|
| <b>DCR</b> | dark carbon       | +\$0   |
| <b>SNC</b> | satın carbon      | +\$80  |
| <b>CD</b>  | polished aluminum | +\$250 |

For satin aluminum (SNA)

|            |                   |        |
|------------|-------------------|--------|
| <b>DVP</b> | dark mineral      | +\$0   |
| <b>SNA</b> | satın aluminum    | +\$150 |
| <b>CD</b>  | polished aluminum | +\$250 |

For onyx ultra matte (BLX)

|            |                   |        |
|------------|-------------------|--------|
| <b>BK</b>  | black             | +\$0   |
| <b>BLX</b> | onyx ultra matte  | +\$150 |
| <b>CD</b>  | polished aluminum | +\$250 |

For polished aluminum (CD)

|           |   |        |
|-----------|---|--------|
| <b>CD</b> | polished aluminum <span style="border: 1px solid black; padding: 0 2px;">A</span> | +\$250 |
|-----------|---|--------|

Step 10. Casters/Glides

For black (BK), onyx ultra matte (BLX), polished aluminum (CD), dark carbon (DCR), dark mineral (DVP), graphite (CP) (G1), satin aluminum (SNA), or satin carbon (SNC)

|            |  |       |
|------------|--|-------|
| <b>BB</b>  | 2½" hard caster, black yoke, carpet only   | +\$0  |
| <b>GF</b>  | 2½" glide, hard floors or carpet   | +\$25 |
| <b>C7</b>  | 2½" caster, black yoke, hard floors or carpet                                    | +\$50 |
| <b>DC1</b> | 2½" braking caster, black yoke, hard floors or carpet with quiet roll technology | +\$75 |

Step 11. Armpad Finish

For low (1) or high (2) with nonupholstered armpads (W) with black (BK), or black with MicrobeCare™ (MBL), or graphite (CP) (G1), or graphite with MicrobeCare™ (MG1)

|           |       |      |
|-----------|-------|------|
| <b>BK</b> | black | +\$0 |
|-----------|-------|------|

For low (1) or high (2) with nonupholstered armpads (W) with mineral (VPR), or mineral with MicrobeCare™ (MVR)

|            |              |      |
|------------|--------------|------|
| <b>DVP</b> | dark mineral | +\$0 |
|------------|--------------|------|

For low (1) or high (2) with nonupholstered armpads (W) with carbon (CP) (CRB), or carbon with MicrobeCare™ (MCR)

|            |             |      |
|------------|-------------|------|
| <b>DCR</b> | dark carbon | +\$0 |
|------------|-------------|------|

Step 12. 8Z Pellicle

For low (1) or high (2) with graphite (CP) (G1), or graphite with MicrobeCare™ (MG1)

|                  |      |
|------------------|------|
| Price Category 1 | +\$0 |
|------------------|------|

For low (1) or high (2) with mineral (VPR), or mineral with MicrobeCare™ (MVR)

|                  |      |
|------------------|------|
| Price Category 1 | +\$0 |
|------------------|------|

For low (1) or high (2) with carbon (CP) (CRB), or carbon with MicrobeCare™ (MCR)

|                  |      |
|------------------|------|
| Price Category 1 | +\$0 |
|------------------|------|

For low (1) or high (2) with black (BK), or black with MicrobeCare™ (MBL)

|                  |      |
|------------------|------|
| Price Category 1 | +\$0 |
|------------------|------|

Step 13. Armpad Leather

*For fixed arms (P), height-adjustable arms (H), height-adjustable plus pivot arms (A), or fully adjustable arms (D) with leather armpads (F)*

|   |       |
|---|-------|
| Price Category 7 <input type="checkbox"/> A | +\$0  |
| Price Category 9                            | +\$90 |



**Product Information**

**Description**

While its iconic form has remained largely unchanged, the Aeron® chair and work stool were remastered from the casters up to meet the needs of today's work and workers. With the help of original co-designer, Don Chadwick, we thoughtfully updated the chair and work stool based on the latest research around the science of sitting, and advancements in materials, manufacturing, and technology.

The Aeron ESD work stool has a new 8Z Pellicle® anti-static material that delivers increased comfort and ergonomic support. Across the seat and back, 8 latitudinal zones of varying tension envelop the sitter, tightest at the edges and more forgiving where the body makes contact.

The stool has a 5-star base and a pneumatic seat-height adjustment range of 22<sup>5</sup>/<sub>8</sub>" to 34<sup>7</sup>/<sub>8</sub>".

Tilt options include a tilt limiter that allows the user to select the tilt range to limit the amount of recline; a tilt limiter and seat angle that allows the user to select the tilt range and a horizontal or 5° forward seat angle; or a standard tilt.

Back-support options include adjustable PostureFit® SL, an adjustable lumbar support, and PostureFit. The adjustable PostureFit SL support provides a custom fit in sacral and lumbar regions of the spine that helps achieve healthier posture and improved lower back comfort. The user can fine tune the level of support with an adjustable knob on the PostureFit SL. Arm choices include a fixed, nonadjustable option, and a height-adjustable option that moves the arms 4" vertically.

Armrests are upholstered with a static-dissipating material.

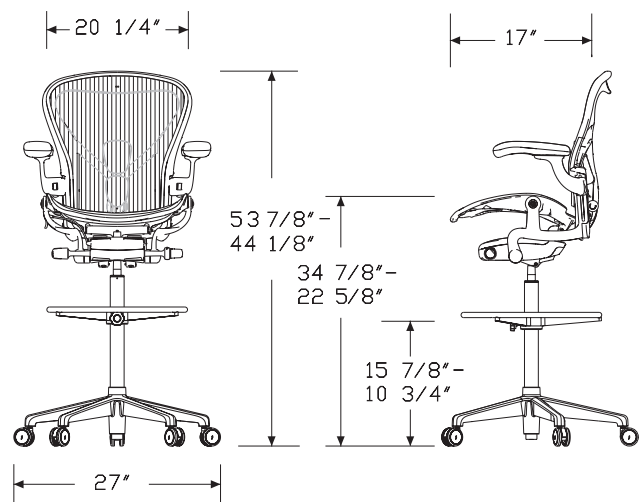
Casters have ESD functionality.

**Notes**

For information on casters and glides, see Casters and Glides in Appendices.

As with any material or textile, dye transfer may occur on seating surfaces, being more noticeable on lighter color expressions (for example: mineral on Aeron, fog on Mirra® 2). If this is a concern, we recommend selecting a darker color expression on which dye transfer will be less noticeable. As a reminder, dye transfer is not covered under the Herman Miller warranty.

**Dimensions**



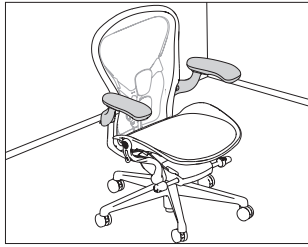
Aeron® Stools

Aeron ESD Work Stool *continued*

Aeron® Stools

| Specification Information                               |                             |         |
|---|-----------------------------|---------|
| Step 1.   |                             |         |
| <b>AERE7</b>  |                             |         |
| Step 2. Size  |                             |         |
| <b>B</b>  | b size                      | +\$2590 |
| Step 3. Height Adjustment                               |                             |         |
| <b>3</b>  | high-height range           | +\$0    |
| Step 4. Tilt  |                             |         |
| <b>1</b>  | standard tilt               | +\$0    |
| <b>2</b>  | tilt limiter                | +\$100  |
| <b>3</b>  | tilt limiter and seat angle | +\$207  |
| Step 5. Arms  |                             |         |
| <b>N</b>  | no arms                     | +\$0    |
| <b>P</b>  | fixed arms                  | +\$223  |
| <b>H</b>  | height-adjustable arms      | +\$321  |
| Step 6. Armpad Upholstery                               |                             |         |
| <i>For no arms (N)</i>                                  |                             |         |
| <b>N</b>  | no arms                     | +\$0    |
| <i>For fixed arms (P) or height-adjustable arms (H)</i> |                             |         |
| <b>F</b>  | leather armpads             | +\$181  |
| Step 7. Back Support Option                             |                             |         |
| <b>SZS</b>  | basic back support          | +\$0    |
| <b>AJ</b>   | adjustable lumbar support   | +\$65   |
| <b>ALP</b>  | adjustable posturefit SL    | +\$95   |
| Step 8. Frame Finish                                    |                             |         |
| <b>G1</b>   | graphite (CP)               | +\$0    |
| Step 9. Chassis Finish                                  |                             |         |
| <b>G1</b>   | graphite (CP)               | +\$0    |
| Step 10. Base Finish                                    |                             |         |
| <b>CD</b>   | polished aluminum           | +\$250  |
| Step 11. Casters/Glides                                 |                             |         |
| <b>ESD</b>  | 2½" caster, 65mm ESD        | +\$0    |
| Step 12. 8Z Pellicle                                    |                             |         |
|   | Price Category 1            | +\$0    |

|  |       |
|--|-------|
| Step 13. Armpad Leather  |       |
| <i>For fixed arms (P) or height-adjustable arms (H) with leather armpads (F)</i> |       |
| Price Category 9   | +\$90 |



**Product Information**

**Description**

These arms can be retrofitted to an Aeron® work chair. Arm choices include a height adjustable option that moves the arms 4" vertically, a height adjustable plus pivot option that moves the arms 4" vertically and pivots the armpads 16° outward and 16° inward, and a fully adjustable option that moves the armpads forward and back 2½". Arm components are preassembled.

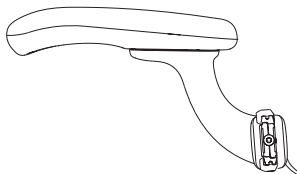
Graphite (G1) finish is recommended for use with graphite (G1) frame finish. Carbon (CRB) finish is recommended for use with carbon (CRB) frame finish. Mineral (VPR) finish is recommended for use with mineral (VPR) frame finish.

Onyx Ultra Matte (BLX) finish is recommended for use with black (BK) frame finish.

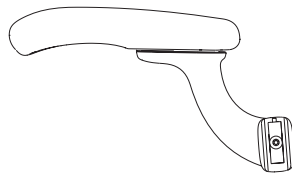
Nightfall (DN2) finish is recommended for use with nightfall (DN2) frame finish.

Jasper (DJ2) finish is recommended for use with jasper (DJ2) frame finish.

**Dimensions**



Height adjustable and fully adjustable arms



Fixed arms

**Specification Information**

**Step 1.**

**AER900** [A]

**Step 2. Arms**

|          |                                   |        |
|----------|-----------------------------------|--------|
| <b>P</b> | fixed arms                        | +\$264 |
| <b>H</b> | height-adjustable arms            | +\$409 |
| <b>A</b> | height-adjustable plus pivot arms | +\$539 |
| <b>D</b> | fully adjustable arms             | +\$577 |

**Step 3. Armpad Upholstery**

|           |                        |        |
|-----------|------------------------|--------|
| <b>W0</b> | nonupholstered armpads | +\$0   |
| <b>F0</b> | leather armpads        | +\$124 |

**Step 4. Frame Finish**

|            |                   |       |
|------------|-------------------|-------|
| <b>G1</b>  | graphite (CP) [A] | +\$0  |
| <b>CRB</b> | carbon (CP) [A]   | +\$12 |
| <b>BK</b>  | black [A]         | +\$28 |
| <b>DN2</b> | nightfall [A]     | +\$44 |
| <b>DJ2</b> | jasper [A]        | +\$44 |
| <b>VPR</b> | mineral [A]       | +\$44 |

**Step 5. Chassis Finish**

*For graphite (CP) (G1)*

|           |                       |       |
|-----------|-----------------------|-------|
| <b>G1</b> | graphite (CP) [A]     | +\$0  |
| <b>CD</b> | polished aluminum [A] | +\$21 |

*For carbon (CP) (CRB)*

|            |                       |       |
|------------|-----------------------|-------|
| <b>SNC</b> | satin carbon [A]      | +\$0  |
| <b>CD</b>  | polished aluminum [A] | +\$21 |

*For mineral (VPR)*

|            |                       |       |
|------------|-----------------------|-------|
| <b>SNA</b> | satin aluminum [A]    | +\$0  |
| <b>CD</b>  | polished aluminum [A] | +\$21 |

*For black (BK)*

|            |                   |       |
|------------|-------------------|-------|
| <b>BLX</b> | onyx ultra matte  | +\$0  |
| <b>CD</b>  | polished aluminum | +\$21 |

*For nightfall (DN2)*

|            |                       |       |
|------------|-----------------------|-------|
| <b>DN2</b> | nightfall [A]         | +\$0  |
| <b>CD</b>  | polished aluminum [A] | +\$21 |

*For jasper (DJ2)*

|            |                       |       |
|------------|-----------------------|-------|
| <b>DJ2</b> | jasper [A]            | +\$0  |
| <b>CD</b>  | polished aluminum [A] | +\$21 |

Arm Kit *continued*

Aeron® Accessories

Step 6. Armpad Finish

*For nonupholstered armpads (W0) with carbon (CP) (CRB)*

**DCR** dark carbon  **A** +\$0

*For nonupholstered armpads (W0) with mineral (VPR)*

**DVP** dark mineral  **A** +\$0

*For nonupholstered armpads (W0) with graphite (CP) (G1), or black (BK)*

**BK** black  **A** +\$0

*For nonupholstered armpads (W0) with nightfall (DN2)*

**DN4** dark nightfall  **A** +\$0

*For nonupholstered armpads (W0) with jasper (DJ2)*

**DJ4** dark jasper  **A** +\$0

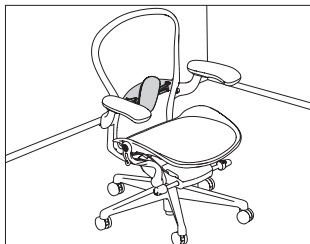
Step 7. Armpad Leather

*For leather armpads (F0)*

*See application chart and textiles list for fabric usage and numbers. First 2 digits of number indicate fabric line; remaining digit(s) indicate fabric color.*

Price Category 7  **A** +\$0

Price Category 9 +\$90



**Product Information**

**Description**

This lumbar support fits into the back of an Aeron® work chair to further support the back. The support can be adjusted up and down while providing support to the lumbar region of the spine.

Graphite (G1) finish is recommended for use with the following frame finishes:

- Graphite (G1)
- Graphite with graphite applique (ZB)

Carbon (CRB) finish is recommended for use with carbon (CRB) frame finish.

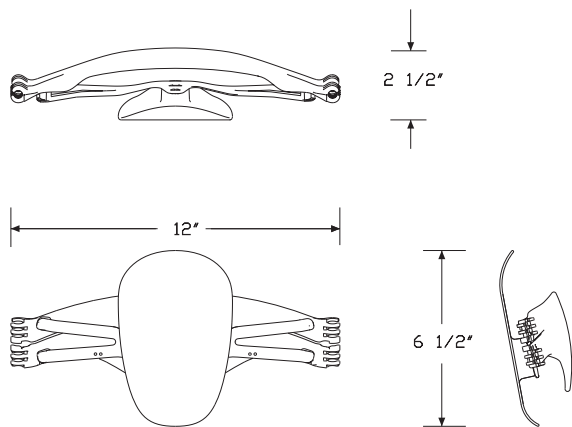
Mineral (VPR) finish is recommended for use with mineral (VPR) frame finish.

Black (BK) finish is recommended for use with black (BK) frame finish.

Nightfall (DN2) finish is recommended for use with nightfall (DN2) frame finish.

Jasper (DJ2) finish is recommended for use with jasper (DJ2) frame finish.

**Dimensions**



**Specification Information**

**Step 1.**

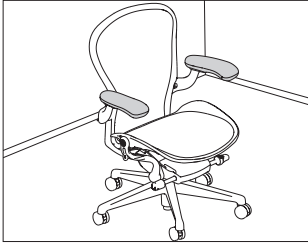
**AER900NN** [A]

**Step 2. Size**

|          |        |        |
|----------|--------|--------|
| <b>A</b> | a size | +\$144 |
| <b>B</b> | b size | +\$144 |
| <b>C</b> | c size | +\$144 |

**Step 3. Finish**

|            |                   |       |
|------------|-------------------|-------|
| <b>G1</b>  | graphite (CP) [A] | +\$0  |
| <b>CRB</b> | carbon (CP) [A]   | +\$9  |
| <b>BK</b>  | black [A]         | +\$18 |
| <b>DN2</b> | nightfall [A]     | +\$26 |
| <b>DJ2</b> | jasper [A]        | +\$26 |
| <b>VPR</b> | mineral [A]       | +\$26 |



Aeron® Accessories

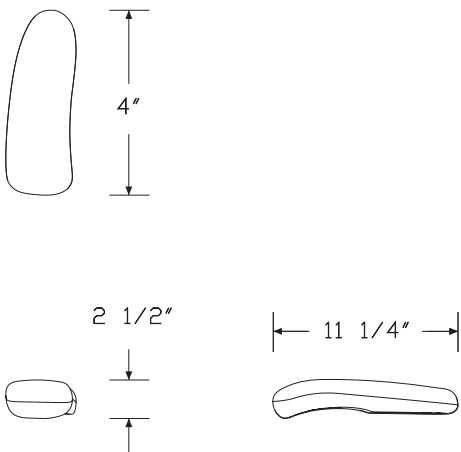
**Product Information**

**Description**  
 These Aeron® arm pads are I-skin covered urethane foam molded over a nylon insert. They come in a choice of 3 colors. Arm pads can be retrofitted to an Aeron work chair. Sold in pairs.

**Notes**

Black arm pads are recommended for Aeron chairs with a graphite (G1) or black (BK) frame.  
 Dark carbon arm pads are recommended for Aeron chairs with a carbon (CRB) frame.  
 Dark mineral arm pads are recommended for Aeron chairs with a mineral (VPR) frame.  
 Dark nightfall (DN4) arm pads are recommended for Aeron chairs with a nightfall (DN2) frame.  
 Dark jasper (DJ4) arm pads are recommended for Aeron chairs with a jasper (DJ2) frame.  
 Customer's Own Leather (COL) requires 4 square feet. See Order Information in Appendices.

**Dimensions**



**Specification Information**

**Step 1.**

**AER901** A

**Step 2. Armpad Upholstery**

|           |                         |        |
|-----------|-------------------------|--------|
| <b>W0</b> | nonupholstered arm pads | +\$85  |
| <b>F0</b> | leather arm pads        | +\$206 |

**Step 3. Armpad Finish**

*For nonupholstered arm pads (W0)*

|            |  |       |
|------------|--|-------|
| <b>BK</b>  | black  | +\$0  |
| <b>DCR</b> | dark carbon  | +\$10 |
| <b>DN4</b> | dark nightfall <span style="border: 1px solid black; padding: 0 2px;">A</span> | +\$15 |
| <b>DJ4</b> | dark jasper <span style="border: 1px solid black; padding: 0 2px;">A</span>    | +\$15 |
| <b>DVP</b> | dark mineral   | +\$15 |

**Step 4. Armpad Leather**

*For leather arm pads (F0)*  
 See application chart and textiles list for fabric usage and numbers. First 2 digits of number indicate fabric line; remaining digit(s) indicate fabric color.

|  |       |
|--|-------|
| Price Category 7 <span style="border: 1px solid black; padding: 0 2px;">A</span> | +\$0  |
| Price Category 9   | +\$90 |



**Product Information**

**Description**

This PostureFit® support fits on the back of an A, B, or C size Aeron® work chair. It provides support in the lower back area, or sacrum, that helps achieve healthier posture and improves lower back comfort.

Graphite (G1) finish is recommended for use with the following frame finishes:

- Graphite (G1)
- Graphite with graphite applique (ZB)

Carbon (CRB) finish is recommended for use with carbon (CRB) frame finish.

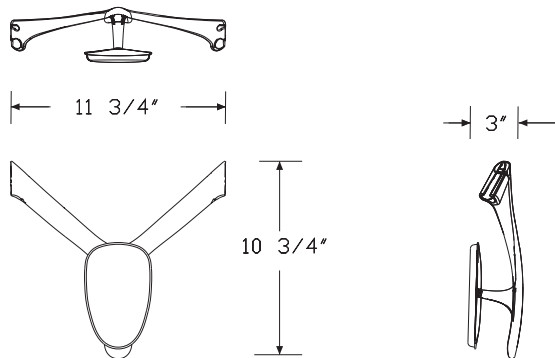
Mineral (VPR) finish is recommended for use with mineral (VPR) frame finish.

Black (BK) finish is recommended for use with black (BK) frame finish.

Nightfall (DN2) finish is recommended for use with nightfall (DN2) frame finish.

Jasper (DJ2) finish is recommended for use with jasper (DJ2) frame finish.

**Dimensions**



**Specification Information**

**Step 1.**

**AER905** [A]

**Step 2. Size**

|          |        |        |
|----------|--------|--------|
| <b>A</b> | a size | +\$103 |
| <b>B</b> | b size | +\$103 |
| <b>C</b> | c size | +\$103 |

**Step 3. Finish**

|            |                   |       |
|------------|-------------------|-------|
| <b>G1</b>  | graphite (CP) [A] | +\$0  |
| <b>CRB</b> | carbon (CP) [A]   | +\$10 |
| <b>BK</b>  | black [A]         | +\$18 |
| <b>DN2</b> | nightfall [A]     | +\$26 |
| <b>DJ2</b> | jasper [A]        | +\$26 |
| <b>VPR</b> | mineral [A]       | +\$26 |



Aeron® Accessories

**Product Information**

**Description**

This adjustable PostureFit® SL support fits on the back of an A, B, or C size Aeron® work chair. It provides custom, adjustable support in the lower back area, or sacrum, that helps achieve healthier posture and improves lower back comfort. Adjustable PostureFit SL also provides support in the lumbar region of the spine. User can adjust the level of support by dialing the support in or out. Adjustable PostureFit SL ships with the support and includes a new backrest. This requires an installer to modify the existing chair.

Graphite (G1) finish is recommended for use with graphite (G1) frame finish.

Carbon (CRB) finish is recommended for use with carbon (CRB) frame finish.

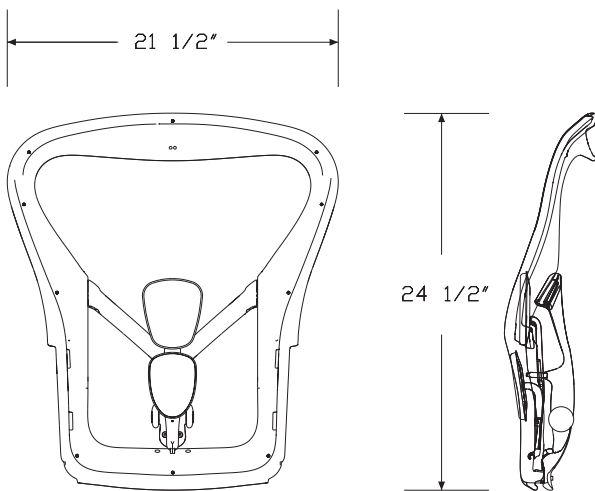
Mineral (VPR) finish is recommended for use with mineral (VPR) frame finish.

Black (BK) finish is recommended for use with black (BK) frame finish.

Nightfall (DN2) finish is recommended for use with nightfall (DN2) frame finish.

Jasper (DJ2) finish is recommended for use with jasper (DJ2) frame finish.

**Dimensions**



**Specification Information**

**Step 1.**

**AER906** [A]

**Step 2. Size**

|          |        |        |
|----------|--------|--------|
| <b>A</b> | a size | +\$448 |
| <b>B</b> | b size | +\$448 |
| <b>C</b> | c size | +\$448 |

**Step 3. Frame Finish**

*For a size (A) or b size (B)*

|            |                                     |       |
|------------|-------------------------------------|-------|
| <b>G1</b>  | graphite (CP) [A]                   | +\$0  |
| <b>CRB</b> | carbon (CP) [A]                     | +\$16 |
| <b>BK</b>  | black [A]                           | +\$30 |
| <b>DN2</b> | nightfall [A]                       | +\$44 |
| <b>DJ2</b> | jasper [A]                          | +\$44 |
| <b>VPR</b> | mineral [A]                         | +\$44 |
| <b>ZB</b>  | graphite with graphite applique [A] | +\$80 |

*For c size (C)*

|            |                                     |       |
|------------|-------------------------------------|-------|
| <b>G1</b>  | graphite (CP) [A]                   | +\$0  |
| <b>CRB</b> | carbon (CP) [A]                     | +\$16 |
| <b>BK</b>  | black [A]                           | +\$30 |
| <b>DN2</b> | nightfall [A]                       | +\$44 |
| <b>DJ2</b> | jasper [A]                          | +\$44 |
| <b>VPR</b> | mineral [A]                         | +\$44 |
| <b>ZB</b>  | graphite with graphite applique [A] | +\$80 |

**Step 4. 8Z Pellicle**

*For graphite (CP) (G1) or graphite with graphite applique (ZB)*

|                  |      |
|------------------|------|
| Price Category 1 | +\$0 |
|------------------|------|

*For mineral (VPR)*

|                  |      |
|------------------|------|
| Price Category 1 | +\$0 |
|------------------|------|

*For carbon (CP) (CRB)*

|                  |      |
|------------------|------|
| Price Category 1 | +\$0 |
|------------------|------|

*For black (BK)*

|                  |      |
|------------------|------|
| Price Category 1 | +\$0 |
|------------------|------|

*For nightfall (DN2)*

|                  |      |
|------------------|------|
| Price Category 1 | +\$0 |
|------------------|------|

PostureFit® SL *continued*

---

|                         |      |
|-------------------------|------|
| <i>For Jasper (DJ2)</i> |      |
| Price Category 1        | +\$0 |



# Index by Product Name

| <b>Aeron® Chairs</b>          |            |
|-------------------------------|------------|
| Aeron ESD Work Chair          | page(s) 13 |
| Aeron ESD Work Stool          | 19         |
| Arm Kit                       | 21         |
| Arm Pad Set                   | 24         |
| Lumbar Kit                    | 23         |
| PostureFit® SL                | 26         |
| PostureFit® Support           | 25         |
| Work Chair                    | 5          |
| Work Chair, Ready to Assemble | 9          |
| Work Stool                    | 15         |



# Index by Product Number



|                                     |           |
|-------------------------------------|-----------|
| AER1A Work Chair                    | page(s) 5 |
| AER1B                               |           |
| AER1C                               |           |
| AER2A Work Chair, Ready to Assemble | 9         |
| AER2B                               |           |
| AER2C                               |           |
| AER71 Work Stool                    | 15        |
| AER72                               |           |
| AER900 Arm Kit                      | 21        |
| AER900 Lumbar Kit                   | 23        |
| AER901 Arm Pad Set                  | 24        |
| AER905 PostureFit® Support          | 25        |
| AER906 PostureFit® SL               | 26        |
| AERE1 Aeron ESD Work Chair          | 13        |
| AERE7 Aeron ESD Work Stool          | 19        |



## 20-Day or Less/Assigned Lead-Time Order Information

### 20-Day or Less and Assigned Lead-Time Programs

20-day or less and assigned lead-time products are designed for established Herman Miller dealers with pre-approved credit.

Products are distributed from multiple manufacturing facilities across the United States. All products and options not designated by an Assigned Lead-Time icon  will ship in 20 business days or less after being acknowledged by Herman Miller. Products and options designated by an  are on the assigned lead-time program and will ship in 20 days, less than 20 days, or more than 20 days from order acknowledgement.

### Ordering Procedure

Please place orders through Order Manager. If this is not available to you, place orders through mail or fax. Verbal purchase orders will not be accepted.

Order Entry fax number for Meridian®

Filing and Storage: (616) 846 9236.

Order Entry fax number for all other products:

(616) 654 3085.

For more information, contact your Customer Care representative at: (866) 854 3048 ext 3400.

### Shipments and Delivery

Per Herman Miller Terms and Conditions.

### Changes and Cancellation

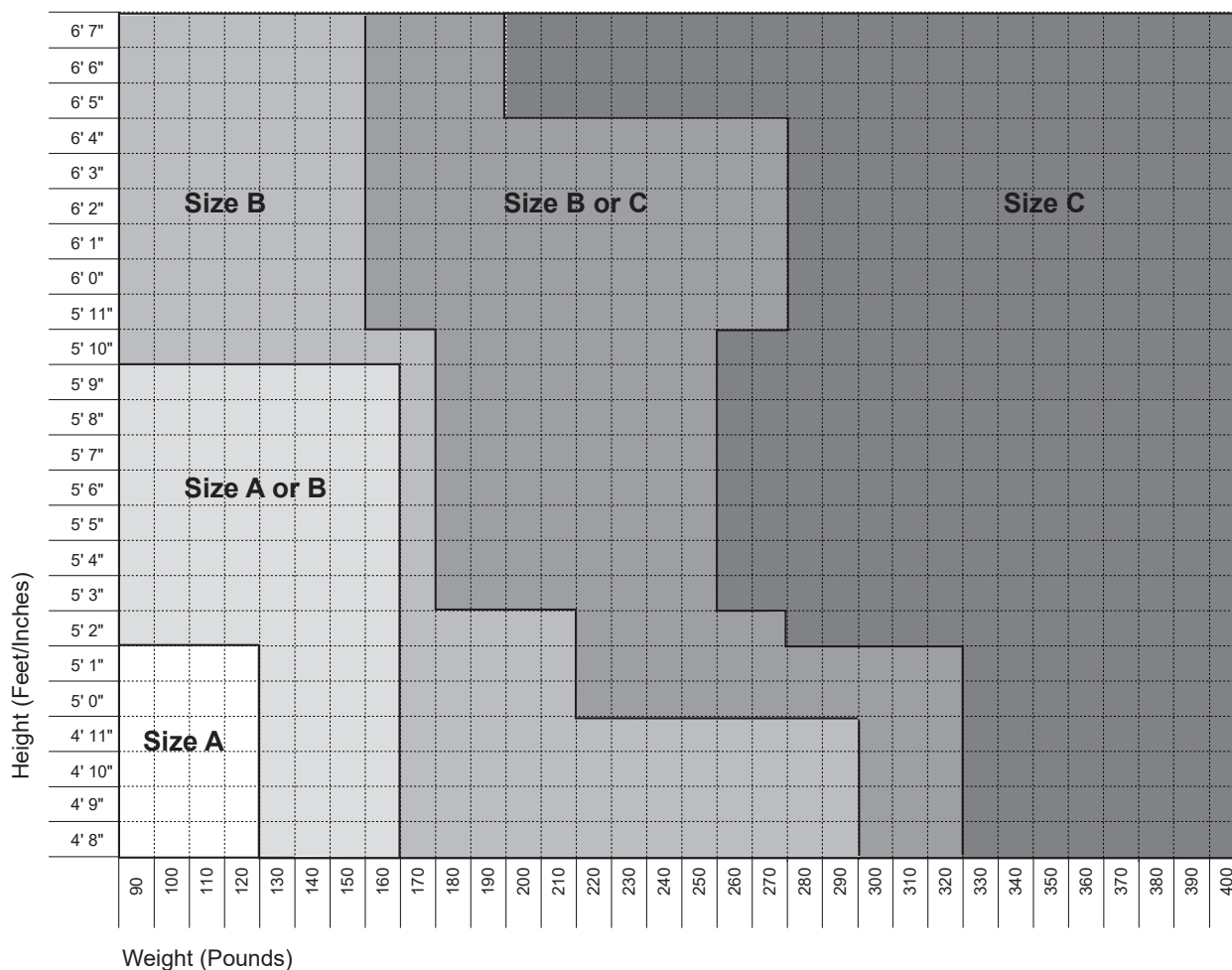
Per Herman Miller Terms and Conditions.



# Size/Fit Reference — Aeron® Chair

This reference helps people select A-, B-, or C-size chairs when the three sizes are not available for actual test sitting. Height and weight are key indicators of suitable chair-size choice. Since the B-size chair is designed to fit a broad range of people, Herman Miller recommends it for users who fall in the A/B or B/C category. This chart applies to Aeron chairs with the extended-height-range pneumatic height-adjustment cylinder.

To determine which chair size is best, find the point of intersection for your height and weight. Aeron A-size chairs are tested and warranted for use by persons weighing up to 300 pounds. B-size chairs are tested and warranted for use by persons up to 350 pounds. C-size chairs are tested and warranted to support up to 400 pounds.

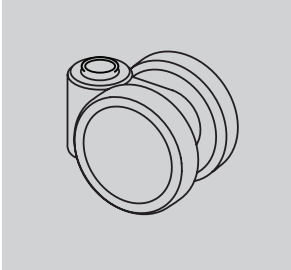




# Casters and Glides

|   |                |   |
|---|----------------|---|
| ▲   | <b>WARNING</b> | ▲ |
| Depending on the floor surface, chair may unexpectedly roll away from user when entering or exiting the chair, possibly leading to unexpected injury. Please refer to descriptions of floor types when selecting casters. |                |   |

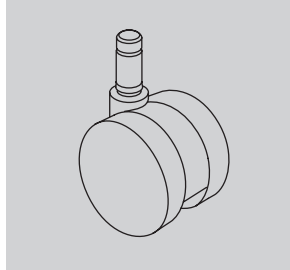
**32 Caster**



1 7/8-inch-diameter hard double-wheel caster; black nylon wheels and yoke; for use on carpet only

Applicable on:  
Sayl® Chairs

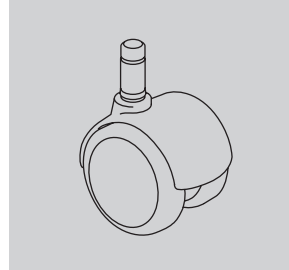
**BB Caster**



2 1/2-inch-diameter hard double-wheel caster; black nylon wheels and yoke; for use on carpet only

Applicable on:  
Asari Chair by Herman Miller™  
Aeron® Chairs  
Caper® Chairs  
Embody® Chairs  
Fuld Nesting Chairs  
Lino™ Chairs  
Sayl Chairs  
Mirra® 2 Chairs, Verus™ Chairs

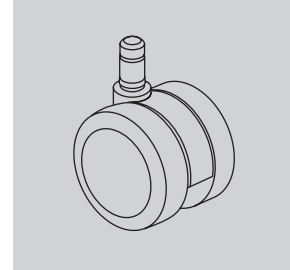
**BSC Caster**



2-inch-diameter double-wheel caster; black nylon wheels and hood; soft polyurethane tread; for use on hard floors or carpet

Applicable on:  
Eames® Aluminum Group  
Eames Executive Chairs  
Eames Soft Pad Group  
Eames Task Chairs

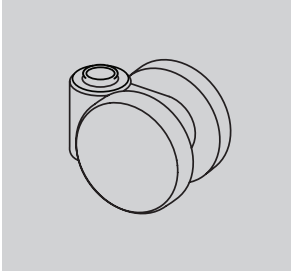
**C9 Caster**



2 1/2-inch-diameter double-wheel caster; black nylon wheels and yoke; soft polyurethane tread; internal brake; for use on hard floors or carpet

Applicable on:  
Caper Chairs  
Embody Chairs  
Lino Chairs  
Mirra 2 Chairs  
Sayl Chairs  
Setu® Chairs  
Verus Chairs

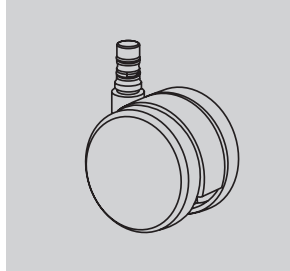
**49 Caster**



1 7/8-inch-diameter soft double-wheel caster; black nylon wheels and yoke; for use on hard floors or carpet

Applicable on:  
Sayl Chairs

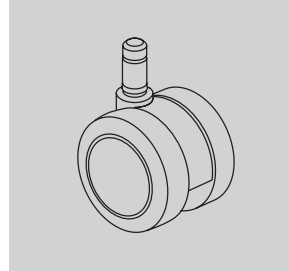
**BKS Caster**



2 1/2-inch-diameter hard double-wheel caster; black yoke; quiet roll technology; for use on carpet only

Applicable on:  
Cosm™ Chairs

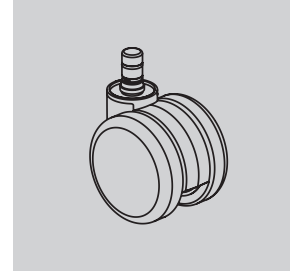
**C7 Caster**



2 1/2-inch-diameter double-wheel caster; black nylon wheels and yoke; soft polyurethane tread; for use on hard floors or carpet

Applicable on:  
Asari Chair by Herman Miller™  
Aeron Chairs  
Caper Chairs  
Embody Chairs  
Fuld Nesting Chairs  
Lino Chairs  
Mirra 2 Chairs  
Sayl Chairs  
Verus Chairs

**CSQ Caster**



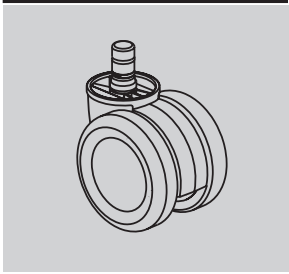
2 1/2-inch-diameter double-wheel caster; color-matched nylon wheels and yoke; soft polyurethane tread; for use on hard floors or carpet

Applicable on:  
Zeph® Chairs

# Casters and Glides

continued

**DC1 Caster**

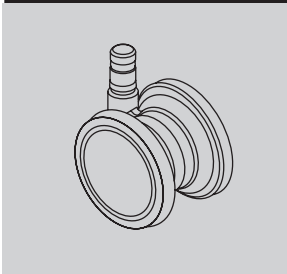


2 1/2-inch-diameter double-wheel braking caster; black nylon wheels and yoke; for use on hard floors or carpet; quiet roll technology

Applicable on:

Aeron Chairs

**H9 Caster**

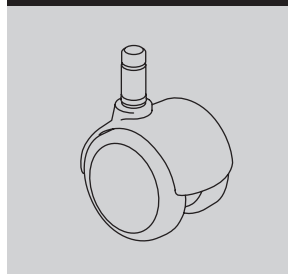


2 1/2-inch-diameter double-wheel caster; clear polycarbonate wheels; nylon yoke; soft polyurethane tread; for use on carpet only

Applicable on:

Embody Chairs

**MD Caster**

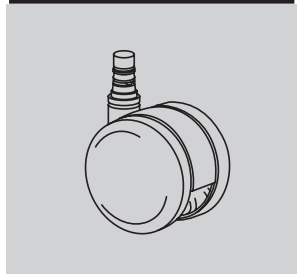


2-inch-diameter double-wheel caster; black nylon wheels with integral chrome hood; soft polyurethane tread; for use on hard floors or carpet

Applicable on:

Eames® Aluminum Group  
Eames Executive Chairs  
Eames Soft Pad Group  
Eames Task Chairs

**OC Caster**

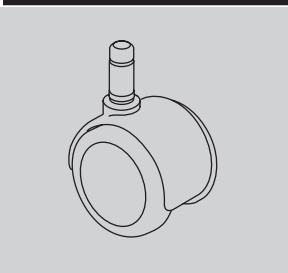


2 1/2-inch-diameter double-wheel medium roll-resistant caster; black nylon wheels and yoke; soft polyurethane tread; for use on hard floors or carpet; quiet roll technology

Applicable on:

Cosm Chairs  
Fuld Nesting Chairs  
Setu Chairs

**DS Caster**

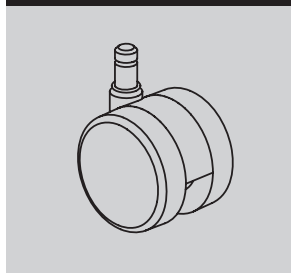


2-inch-diameter soft double-wheel braking caster; black nylon wheels and hood; for use on hard floors only

Applicable on:

Aside® Chairs  
Caper Chairs

**HCC Caster**

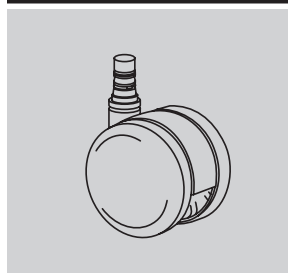


2 1/2-inch-diameter double-wheel low roll resistance caster; black nylon yoke; for use on hard floors or carpet

Applicable on:

Setu Chairs

**O2 Caster**



2 1/2-inch-diameter double-wheel caster; nylon wheels and yoke; soft polyurethane tread; quiet roll technology; for use on hard floors or carpet

Applicable on:

Cosm Chairs

**SC8 Caster**



2 1/2-inch-diameter double-wheel caster; black nylon wheels and yoke; soft polyurethane tread; quiet roll technology; for use on hard floors or carpet

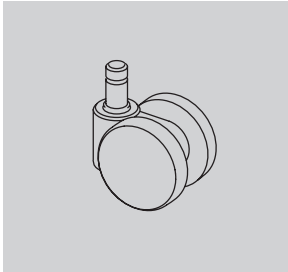
Applicable on:

Cosm Chairs  
Fuld Nesting Chairs  
Lino Chairs  
Mirra 2 Chairs  
Verus Chairs

# Casters and Glides

continued

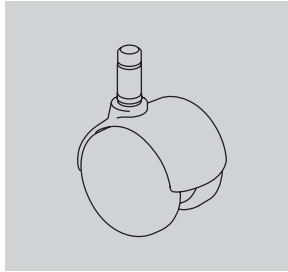
**U4 Caster**



1<sup>7</sup>/<sub>8</sub>-inch-diameter hard double-wheel caster; black nylon wheels and yoke; for use on carpet only

Applicable on:  
Aside Chairs  
Verus Chairs

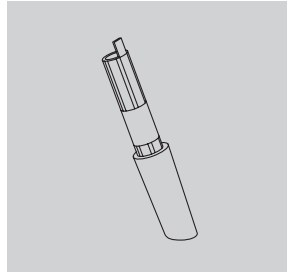
**UD Caster**



2-inch-diameter hard double-wheel caster; black nylon wheels with painted hood; for use on carpet only

Applicable on:  
Eames® Aluminum Group  
Eames Executive Chairs  
Eames Soft Pad Group  
Eames Task Chairs

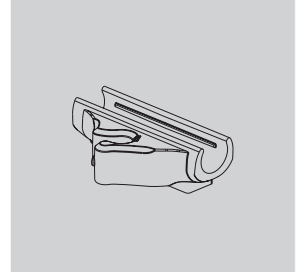
**16 Glide**



(Front glide shown)  
2<sup>1</sup>/<sub>8</sub>-inch-high glide; black or fog acetal; for use on carpet only

Applicable on:  
Sayl Chairs

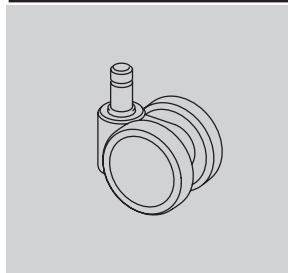
**FGG Glide**



1/2-inch-high ganging glide; black ABS plastic with black felt bottom; for use on resilient flooring

Applicable on:  
Pronta Stacking Chairs

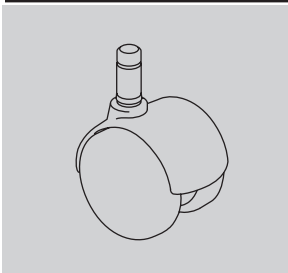
**U5 Caster**



1<sup>7</sup>/<sub>8</sub>-inch-diameter soft double-wheel caster; black nylon wheels and yoke; for use on hard floors or carpet

Applicable on:  
Aside Chairs  
Caper Chairs  
Verus Chairs

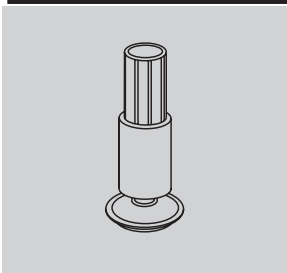
**VD Caster**



2-inch-diameter hard double-wheel caster; black nylon wheels with integral chrome hood; for use on carpet only

Applicable on:  
Eames Aluminum Group  
Eames Executive Chairs  
Eames Soft Pad Group  
Eames Task Chairs

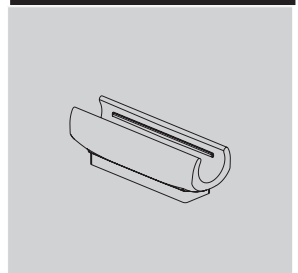
**69 Glide**



(Front glide shown)  
2<sup>1</sup>/<sub>8</sub>-inch-high glide; black glass-filled nylon stem; steel-plated swivel foot with Floor Saver Glide™ insert; for use on hard floors only

Applicable on:  
Sayl Chairs

**FTG Glide**



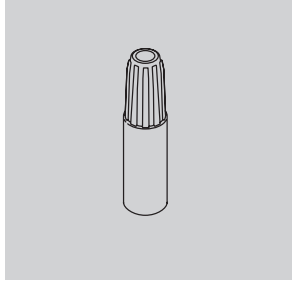
1/2-inch-high glide; black ABS plastic with black felt bottom; for use on resilient flooring

Applicable on:  
Pronta Stacking Chairs

# Casters and Glides

continued

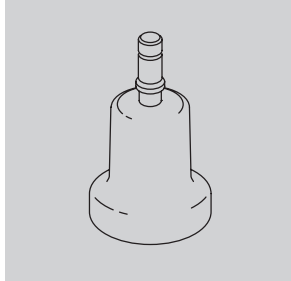
**G4 Glide**



1<sup>7</sup>/<sub>8</sub>-inch-high glide; black acetal; for use on carpet only

Applicable on:  
Verus Chairs

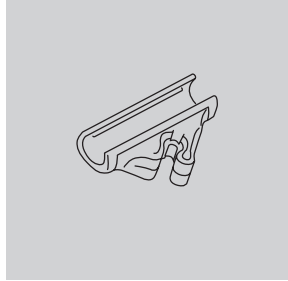
**GF Glide**



2<sup>1</sup>/<sub>2</sub>-inch-high glide; black nylon; for use on hard floors or carpet

Applicable on:  
Aeron Chairs  
Caper Chairs  
Cosm Chairs  
Lino Chairs  
Mirra 2 Chairs  
Sayl Chairs  
Verus Chairs

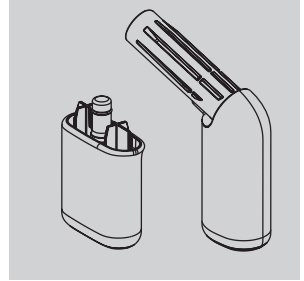
**GG Glide**



1<sup>1</sup>/<sub>2</sub>-inch-high ganging glide; clear polycarbonate; for use on hard floors or carpet

Applicable on:  
Pronta Stacking Chairs

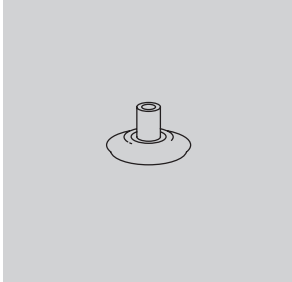
**GLN Glide**



Acetal glide; for use on carpet only

Applicable on:  
Fuld Nesting Chairs

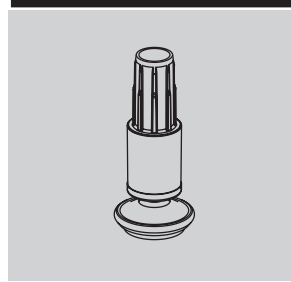
**GD Glide**



1<sup>1</sup>/<sub>2</sub>-inch-diameter glide; 1/2 inch in height; black nylon; for use on hard floors or carpet

Applicable on:  
Eames Aluminum Group  
Eames Executive Chairs  
Eames Soft Pad Group  
Eames Task Chairs

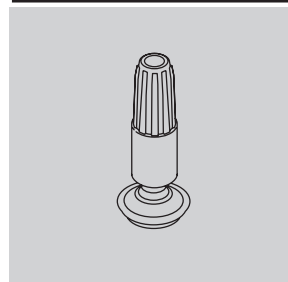
**GFG Glide**



Floor Saver Glide™ insert; for use on hard floors only

Applicable on:  
Zeph Chairs

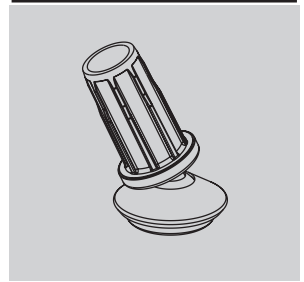
**GL Glide**



1<sup>7</sup>/<sub>8</sub>-inch-high glide; black nylon stem; steel-plated swivel foot with Floor Saver Glide™ insert; for use on hard floors only

Applicable on:  
Verus chairs

**GNB Glide**



Swivel glide; nylon base; for use on carpet only

Applicable on:  
Zeph Chairs

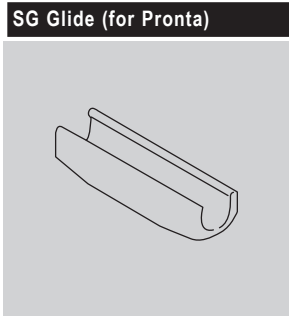
# Casters and Glides

continued



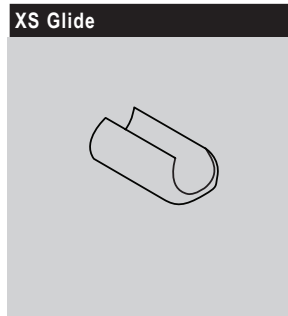
1/2-inch-high glide; black nylon glide with stainless-steel insert; for use on hard floors or carpet

Applicable on:  
Aside Chairs



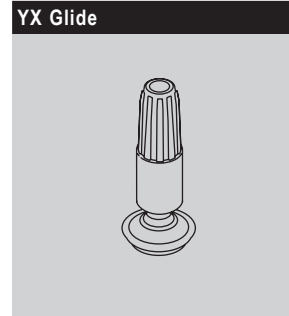
1/2-inch-high glide; clear polycarbonate; for use on hard floors or carpet

Applicable on:  
Pronta Stacking Chairs



1/8-inch-high glide; polycarbonate in black, fog, clear, and studio white finishes; for use on hard floors or carpet

Applicable on:  
Sayl Chairs



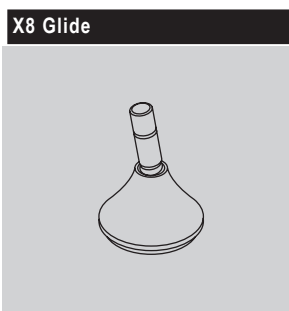
1 7/8-inch-high glide; black nylon stem; steel-plated swivel foot with Floor Saver Glide™ insert; for use on hard floors only

Applicable on:  
Caper Chairs



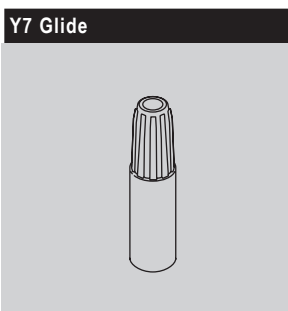
1/2-inch-high glide; black nylon; for use on carpet only

Applicable on:  
Aside Chairs



Glide; low profile; for use on hard floors or carpet

Applicable on:  
Setu Chairs



1 7/8-inch-high glide; black acetal; for use on carpet only

Applicable on:  
Caper Chairs



# Customer's Own Material/ Customer's Own Leather Order Information — Seating

## Packaging

Packaging varies according to individual product. A surcharge may be added for special packaging requests. Contact Customer Care for specific information.

## Customer's Own Material/Customer's Own Leather

### Program Overview

The Customer's Own Material (COM) and Customer's Own Leather (COL) program gives you the option of using textiles other than those listed. Herman Miller will test textiles for application to Herman Miller products and will process orders for those with approved COM/COL textiles only. COM/COL are assigned lead-time textiles.

Omni lists an overview of fabrics and leathers that have been tested and indicates whether or not they were approved for application to Herman Miller products.

Specific information on the terms and conditions, testing, approval, and ordering process for COM/COL is listed below. Questions about the COM/COL program and requests for assistance may be directed to your COM representative at:

(616) 654 3400

(866) 854 3048 ext 6543400

### Customer's Own Material/Customer's Own Leather Warranty

Herman Miller does not warrant COM/COL textiles. COM/COL textiles are tested for application only; they are not tested for performance. The Herman Miller warranty does apply to the underlying products.

Suppliers of COM/COL textiles are responsible for color consistency within commercial tolerances, UV stability, and resistance to soiling and perspiration.

### Customer's Own Material/Customer's Own Leather Pricing

COM is a Category 1 fabric. There are no application charges for COM fabrics. COL is a Category 7 textile; refer to prices on specific products to determine the application charge.

Ordering and payment for COM/COL textile yardage are the responsibility of the customer and the textile supplier.

If desired, Herman Miller will purchase COM textiles directly from Maharam, Camira, C.F. Stinson, Guilford of Maine, Luna Textiles, Momentum Textiles and Ultrafabrics to simplify ordering and shipment. For this service, refer to the Supplier Connection program.

## Textile Approval

1. Select a COM textile and a Herman Miller product.
2. If your textile does not show as tested in Omni, submit a request. You will be required to select a specific color of the textile and feature of the product to test, i.e., seat, back, etc.
3. Herman Miller will notify you of approval or disapproval within 4 days from receipt of the test yardage.

## Ordering Products with COM/COL

1. Refer to the specific products to determine the yardage required for COM/COL textiles.  
*Note: Additional yardage may be needed due to the unique characteristics of a textile. Refer to the Materials COM database to verify if additional yardage is needed.*
2. Obtain the COM ID# in Omni. If the color you are ordering does not have a COM ID# assigned, click "Create ID".
3. Enter your order on Order Manager in Omni.
4. Upon receipt of your purchase order, Herman Miller will send you a PO acknowledgment.
5. Arrangements must be made for the textiles to be shipped from the supplier to Herman Miller for application to the seating products. Textiles must be tagged with the assigned identification number and the roll yardage quantity. See Omni for shipping procedures and current shipping addresses or contact a COM representative at (616) 654 3400 or (866) 854 3048 ext 6543400.

Products will be scheduled for production when COM/COL textiles are received at Herman Miller. Standard lead times in effect at that time will apply.

*Note: If textiles are to be purchased directly by Herman Miller through the Supplier Connection program, Herman Miller will handle the ordering and shipping process and will schedule your order for production upon receipt of your purchase order (dependent on textile availability). Refer to the Supplier Connection program for more information.*

# Customer's Own Material/ Customer's Own Leather Order Information — Seating

continued

## Supplier Connection

### Program Overview

The Supplier Connection program is a service offered by Herman Miller to purchase approved COM textiles directly from Maharam, Camira, C.F. Stinson, Guilford of Maine, Luna Textiles, Momentum Textiles and Ultrafabrics. When you select a textile through this program, Herman Miller will facilitate the ordering, scheduling, and shipment of the textile directly with the supplier.

Suppliers included in the Supplier Connection program keep an active inventory of textiles that are pre-approved for application to Herman Miller products. Pre-approval applies only to the suitability of a textile for manufacturing and application to a Herman Miller product. Omni provides an overview of fabrics that have been tested and indicates whether or not they were approved for application to Herman Miller products.

Specific information on the terms and conditions, testing, approval, and ordering process for the Supplier Connection program is listed below. Questions and requests for assistance may be directed to your COM representative at:  
(616) 654 3400  
(866) 854 3048 ext 6543400

### Supplier Connection Warranty

Textiles purchased by Herman Miller through the Supplier Connection program are COM and are not warranted by Herman Miller. COM textiles are tested for application only; they are not tested for performance. The Herman Miller warranty does apply to the underlying products.

Suppliers of COM textiles are responsible for color consistency within commercial tolerances, UV stability, and resistance to soiling and perspiration.

### Supplier Connection Pricing

Textiles purchased by Herman Miller through the Supplier Connection program are COM. COM is a Category 1 fabric. There are no application charges for COM fabrics.

Payment for textiles purchased by Herman Miller through the Supplier Connection program is the responsibility of the customer or dealer. Herman Miller will invoice the order at a total product cost based on the supplier's price published at the time of the order.

### Textile Approval

1. Select a COM textile and a Herman Miller product.
2. If your textile does not show as tested in Omni, submit a request. You will be required to select a specific color of the textile and feature of the product to test, i.e., seat, back, etc.
3. Herman Miller will notify you of approval or disapproval within 4 days from receipt of the test yardage.

### Ordering Products with Supplier Connection COM

1. Identify and include the following information on your purchase order:
  - Product number and option
  - Herman Miller's COM identification number
2. Enter your order on Order Manager in Omni.
3. Upon receipt of the purchase order, Herman Miller will process your order and send you a PO acknowledgment. Herman Miller will determine the yardage required to produce your product and will order and schedule for delivery the required textile. Standard lead times in effect at the time the textile is allocated at the supplier will apply to products ordered through this program.



For more information about our products and services or to see a list of dealers, please visit us at [HermanMiller.com](http://HermanMiller.com) or call (800) 851 1196.

© 2026 Herman Miller, Inc., Zeeland, Michigan

#### Distribution Rights

Working together since 1956, Herman Miller and Vitra are the authentic sources of designs by Charles and Ray Eames, Alexander Girard, and George Nelson. All the designs shown in this book are protected by law. Herman Miller has obtained all rights to make and sell these designs. Also, Herman Miller holds exclusive worldwide manufacturing and distribution rights for these products with the following exceptions:

Charles and Ray Eames, George Nelson, and Alexander Girard—Worldwide distribution rights for furniture in all areas except Europe and the Middle East. For those areas, please contact Vitra.

Isamu Noguchi—Worldwide distribution rights for the Noguchi Rudder Table. Distribution rights for the Noguchi Table in North America and Central America only. For all other areas, please contact Vitra.

Magis—Exclusive distribution rights in the US and Canada. For all other areas, please contact Magis.

© **HermanMiller**, ●, 3D Intelligent, 8Z Pellicle, AO, Action Office, Aeron, Aside, Bubble Lamps, Canvas Office Landscape, Caper, Celle, Cosm, Co/Struc, Daisyone, Distil, Eames, Eco-Dematerialized, Embody, Envelop, Ethospace, Exclave, Fine-Tune, FlexFront, Flo, Formcoat, Formwork, Ground Cloth, Intent, Kinemat, Layout Studio, Lino, Live Unframed, Living Office, Maharam, Meridian, Mirra, Motia, Nelson, Pari, Pellicle, Perspectives, Plex, PostureFit, PostureFit SL, Public Office Landscape, Sayl, Setu, Striad, Tu, Ubi, Verus, Wishbone, Y-Tower and Zeph are among the registered trademarks of Herman Miller, Inc., and its owned subsidiaries.

™ About Face, AireWeave, Airia, Ambit, Asari Chair by HermanMiller, Backfit, Bubbletack, Burdick Group, Butterfly Back, Canvas Vista, Cellular Suspension, Commend, Compass, Connect, DOT, Duracare, Durawrap, EnhancedAccess, Everywhere, Flex-Edge, Flute, Harmonic, Headway, Herman Miller Select, Hopsak 2, Iota, Keyless Entry, Latitude, Logic Mini, Logic Power Access Solutions, Lyris, Lyris 2, Made-to-Measure Storage, Mora, Multiscrim, Nevi, OE1, OE1 Workspace Collection, Overlay, Pixelated Support, Pronta, Renew, Sense, Soft Pad, Stackable, Stackable Storage, Swoop, Thrive, Tone, TriFlex, Twist and Wireframe are among the trademarks of Herman Miller, Inc., and its owned subsidiaries.

SM Herman Miller Options is among the service marks of Herman Miller, Inc.

AAP™ is a trademark of Extron Electronics.

Alexander Girard® is a registered trademark of The Alexander Girard Estate.

Chemsurf® is a registered trademark of Wilsonart International.

Corian® is a registered trademark of E. I. du Pont de Nemours and Company Corporation.

Crypton® is a registered trademark of Crypton, Inc.

DACRON® is a registered trademark of INVISTA S.a r.l.

Danzer® is a registered trademark of Danzer Holding AG.

Decora® is a registered trademark of Leviton Manufacturing Co., Inc.

Edelman® Leather is a registered trademark of Edelman Leather, Inc.

Extron® is a registered trademark of RGB Systems, Inc.

FENIX NTM® is a registered trademark of Arpa Industriale S.p.A.

FLEXNET™ is a trademark of Milliken & Company.

Floor Saver Glide® is a registered trademark of Carpin Manufacturing, Inc.

Forest Stewardship Council® is a registered trademark of the Forest Stewardship Council A.C. (FSC). We are FSC® certified (FSC® C102895).

FSC® is a registered trademark of the Forest Stewardship Council A.C. (FSC).

Geiger® is a registered trademark, and Bumper™, Saiba™, and Ward Bennett™ are trademarks, of Geiger International.

Hang-It-All® is a registered trademark of Lucia Eames Demetrios, d.b.a. Eames Office.

Holophane® is a registered trademark of Holophane.

Ingeo™ is a trademark of Cargill Dow LLC.

iPad® and Mac mini® are registered trademarks of Apple Inc.

Leviton® is a registered trademark of Leviton Manufacturing Co., Inc.

LifeSize® is a registered trademark of LifeSize Communications, Inc.

Lisocore® is a registered trademark of Pyrus Panels GmbH.

Logitech G® is a registered trademark of Logitech International S.A.

Magis®, Bombo®, and Me Too® are registered trademarks of Magis S.p.A.

MicrobeCare™ is a trademark of Parasol Medical LLC.

Microsoft® and Natural® Keyboard are registered trademarks of Microsoft Corporation.

Noguchi® and the Noguchi table configuration (trade dress) are registered trademarks, and Rudder Table™ is a trademark, of The Isamu Noguchi Foundation and Garden Museum.

Place Textiles® is a registered trademark of Place Textiles.

Sunbrella® is a registered trademark of Glen Raven, Inc.

SuperSeat™ is a trademark of Dahti Seating, a division of ITW.